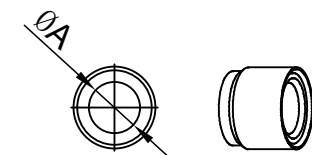
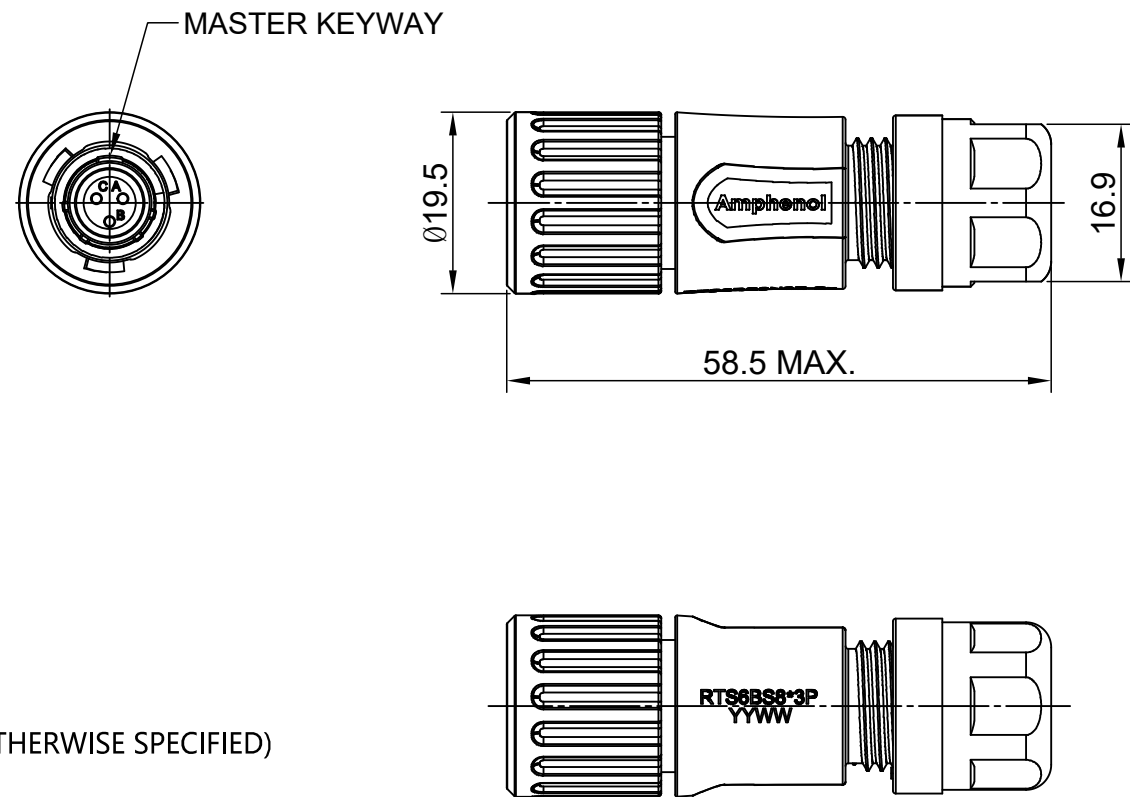


REVISIONS					
REV	ECO	DESCRIPTION	DATE	BY	APPR
A1	--	RELEASED DRAWING	Aug-09-2016	Sullen	Tommy
A2	--	UPDATE NOTES	Jun-20-2017	Nick	Tommy
A3	--	UPDATE DRAWING	Mar-16-2018	White	Tommy



NOTES : (UNLESS OTHERWISE SPECIFIED)

- MATERIAL :
 - SHELL : THERMOPLASTIC , UL94 V-0.
 - INSERT : CHLOROPRENE RUBBER.
 - COUPLING NUT : THERMOPLASTIC , UL94 V-0.
 - O-RING : NBR.
 - WASHER : SILICONE RUBBER.
 - BACK SHELL : THERMOPLASTIC , UL94 V-0.
 - CLAMP NUT : THERMOPLASTIC , UL94 V-0.
 - CLAMP RING : THERMOPLASTIC , UL94 V-0.
 - CABLE SEAL : EPDM.
 - CONTACT : COPPER ALLOY , GOLD PLATED.
- SPECIFICATIONS :
 - 2.1 RATED CURRENT : 7A (MAX).
 - 2.2 RATED VOLTAGE : 250V(AC/DC).
 - 2.3 OPERATING TEMPERATURE : -40°C ~ +105°C .
 - 2.4 DIELECTRIC WITHSTANDING VOLTAGE : LESS THAN 2 MILLIAMPS CURRENT LEAKAGE@1500 VOLTS AC.
 - 2.5 INSULATION RESISTANCE : 5000 MEGOHMS MIN.
 - 2.6 IP--CLASS : IP67 AND IP69K IN THE MATED CONDITION.
 - 2.7 MATING CYCLES DURABILITY : 500 CYCLES MIN.
 - 2.8 RoHS COMPLIANT.
- ALL DIMENSIONS ARE FOR REFERENCE USE ONLY.

KEY	DIMENSION ØA	CABLE OD RANGE
N	5.5MM	Ø1.5-5.0MM
	6.8MM	Ø2.5-6.5MM

QUANTITY	PART NUMBER	DESCRIPTION	ITEM										
MATERIALS LIST													
UNLESS OTHERWISE SPECIFIED 1) All dimensions are in metric(mm). 2) Tolerances are as follows: 1 PL DEC ±0.30 2 PL DEC ±0.15 3 PL DEC ±0.08 3) Note reference =		<table border="1"> <thead> <tr> <th>SIGNATURES</th> <th>DATE</th> </tr> </thead> <tbody> <tr> <td>DRAWN: White</td> <td>Mar-16-2018</td> </tr> <tr> <td>CHECKED: Tod</td> <td>Mar-16-2018</td> </tr> <tr> <td>ENGINEER:</td> <td></td> </tr> <tr> <td>APPROVAL: Tommy</td> <td>Mar-16-2018</td> </tr> </tbody> </table>		SIGNATURES	DATE	DRAWN: White	Mar-16-2018	CHECKED: Tod	Mar-16-2018	ENGINEER:		APPROVAL: Tommy	Mar-16-2018
SIGNATURES	DATE												
DRAWN: White	Mar-16-2018												
CHECKED: Tod	Mar-16-2018												
ENGINEER:													
APPROVAL: Tommy	Mar-16-2018												
MATERIAL SPECIFICATIONS:		<h1>Amphenol</h1> <p>Sine Systems - www.amphenol-sine.com 44724 Morley Drive Clinton Township, MI 48036</p>											
PROCESS SPECIFICATIONS:		<p>ECO-MATE,PLUG CONNECTOR SIZE 8,3POS,PIN</p>											
NEXT ASSY:		<table border="1"> <thead> <tr> <th>SIZE</th> <th>TYPE</th> <th>DWG NO:</th> <th>REVISION</th> </tr> </thead> <tbody> <tr> <td>B</td> <td>C-</td> <td>RTS6BS8*3P</td> <td>A3</td> </tr> </tbody> </table>		SIZE	TYPE	DWG NO:	REVISION	B	C-	RTS6BS8*3P	A3		
SIZE	TYPE	DWG NO:	REVISION										
B	C-	RTS6BS8*3P	A3										
SCALE: NONE		SHEET 1 OF 1											

TITLE: ECO-MATE,PLUG CONNECTOR,SIZE 8,3POS,PIN
 DWG NO: RTS6BS8*3P
 REV: A3
 SH: 1
 OF: 1

Mouser Electronics

Authorized Distributor

Click to View Pricing, Inventory, Delivery & Lifecycle Information:

[Amphenol:](#)

[RTS6BS8N3P](#)