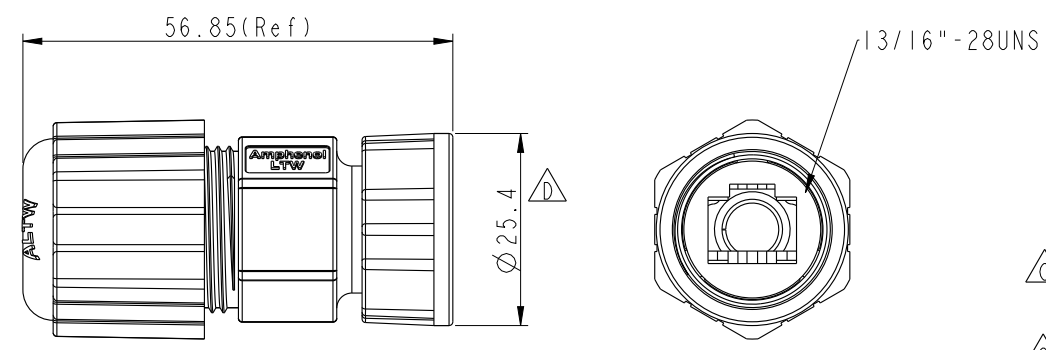
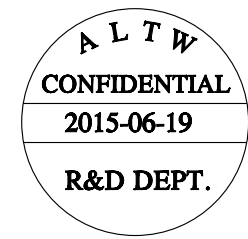
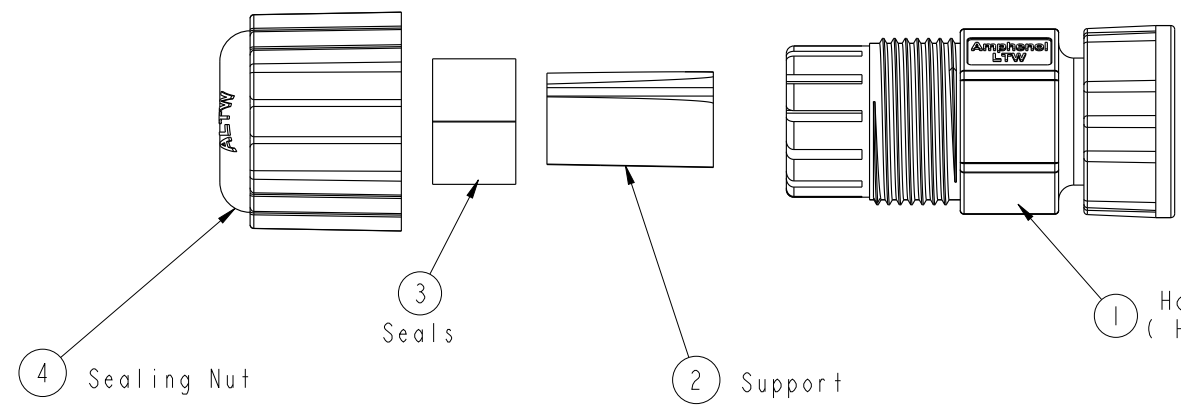


THIS DOCUMENT IS SUBJECT TO CHANGE WITHOUT NOTICE. IT IS CONFIDENTIAL AND A PROPERTY OF Amphenol LTW. DISCLOSURE TO THIRD PARTY HAS TO BE AUTHORIZED BY Amphenol LTW.

REV.	ECN NO.	DATE	SIGN	DESCRIPTION
B	LEN1420098	2014-02-21	Yulong-wang	Change Screw Nut To Lock Nut; Remove the Pulg & Change the Note
C	LE31490140	2014-09-01	Joyy	Change to 94V0 material
D	LEN1570168	2015-06-19	Tom	Change Tolerance



- Note:
- * \varnothing Important Dimension
 - * Waterproof Rate : IP67 (Mated)
 - * \triangle Housing : Nylon66, Black
 - * Gasket : Silicone, Gray
 - * Screw Nut : Nylon+GF, Black
 - * \triangle Support: PVC, Black
 - * Sealing Nut: Nylon+GF, Black
 - * Seals: Silicone, Gray.
 - * Cable OD Range: 5.0~6.5mm
 - * Mating Nut Torsion Value Range: 5~8kgf-cm
 - * Sealing Nut Torsion Value Range: 8~15kgf-cm
 - * One Set Unassembled in One PE Bag.

UNIT : mm TOLERANCE .X ±0.25 .XX ±0.1 .XXX ±0.05 ANGLES ±1°	TITLE RJ45 FEED-THRU, 13/16"-28, CSIZE		<h1 style="text-align: center;">Amphenol LTW</h1> <h2 style="text-align: center;">安費諾亮泰企業股份有限公司</h2>		ITEM NO RCP-00BMMS-SLM7001	DRAWN BY Tom	DATE 2015-06-19
	SCALE 1:1	SIZE A4			SHEET 1 OF 1	DWG NO RCP-00BMMS-SLM7001	CHECKED BY Jiazhen
	REV. D	WC-REV. A.19	\varnothing Inspection item	CUSTOMER ALTW	APPROVED BY Jerry	DATE 2015-06-19	

Mouser Electronics

Authorized Distributor

Click to View Pricing, Inventory, Delivery & Lifecycle Information:

[Amphenol:](#)

[RCP-00BMMS-SLM7001](#)