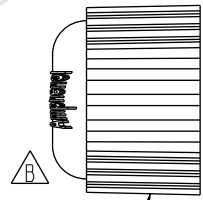


THIS DOCUMENT IS SUBJECT TO CHANGE WITHOUT NOTICE. IT IS CONFIDENTIAL AND A PROPERTY OF AMPHENOL LTW. DISCLOSURE TO THIRD PARTY HAS TO BE AUTHORIZED BY AMPHENOL LTW.

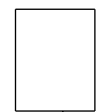
REV.	ECN NO.	DATE	SIGN	DESCRIPTION
A	Initial Release	2012/10/25	Ruru	PLD-02BFMA-QL7001 To PLD-02BFMA-QL7001
B	LEN1510149	2015/01/07	Vicky	Update Logo & Tolerance

ALTW
 CONFIDENTIAL
 2015-01-07
 R&D DEPT.

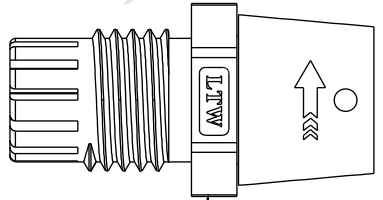
ALTW
 DCC. DEPT.
 CONFIDENTIAL
 2015.01.15
 ISSUED



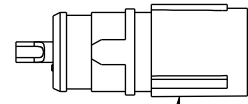
Sealing Nut (5)



Seal (4)



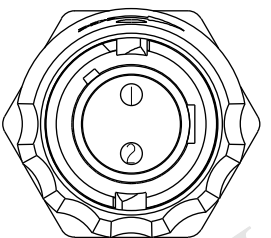
Clamp Ring Ass'y (3)



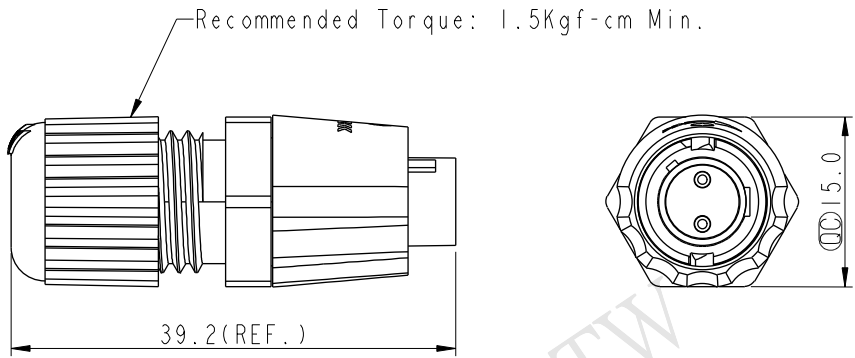
Housing (1)



O-ring (2)



Pin Assignments
Front View



Note:

- * \varnothing Important Dimension To Check.
- * Waterproof Rate: IP67.
- * Housing: Nylon, UL 94V-0, Black.
- * Male Pin: Copper Alloy, Gold Plated.
- * Nut: Nylon+25%GF, UL 94V-0, Black.
- * Clamp Ring: Nylon+GF, UL 94V-2, Black.
- * Sealing Nut: Nylon+GF, UL 94V-2, Black.
- * Rubber Parts: Silicone, UL 94V-0, Gray.
- * Seal for Cable OD: $\varnothing 4.5\text{mm} \sim \varnothing 6.5\text{mm}$.
- * Operating Voltage Max: AC 300 V Rms.
- * Operating Current Max: 5A.
- * One Set Unassembled In One Bag.

UNIT:mm TOLERANCE ± 0.5 mm		TITLE ASSY, PUSH LOCK, 2PIN F CONN M PIN		Amphenol LTW 安費諾亮泰企業股份有限公司		ITEM NO PLD-02BFMA-QL7001	DRAWN BY Vicky	DATE 2015-01-07
		SCALE 3:2	SIZE A4	SHEET 1 OF 1	DWG NO PLD-02BFMA-QL7001	CHECKED BY Sam	DATE 2015-01-07	
		REV. B	WC-REV. A.2	\varnothing : Inspection item	CUSTOMER ALTW	APPROVED BY Rita	DATE 2015-01-07	
					FMM10702-01-02A1			

Mouser Electronics

Authorized Distributor

Click to View Pricing, Inventory, Delivery & Lifecycle Information:

[Amphenol:](#)

[PLD-02BFMA-QL7001](#)