

MICRO-D CONNECTORS

MICRO-MINIATURE MILITARY AND COMMERCIAL INTERCONNECTS



Engineered Solutions
Designed to Fit



Amphenol CANADA
MILITARY & AEROSPACE

For more than 50 years, Amphenol Canada Corp., a subsidiary of Amphenol Corporation, has been an international leader in the manufacture of rectangular and filtered connectors.

We design, manufacture and test EMI / EMP filter and non-filter connectors, which are used worldwide in military, aerospace, and commercial applications. As part of Amphenol Corporation, we have the advantage of access to technologies and processes of Amphenol's worldwide facilities. Our expertise in understanding and supporting our customers' interconnect needs has earned us a reputation of excellence among the world's leading users of electronic components.



CUSTOMER SERVICE

At Amphenol Canada, customer service is a solid commitment from all our employees. Our product managers, application engineers, product specialists, and sales representatives are able to answer your questions and assist you in choosing the right connectors for your applications.

Using Amphenol's on-line computer system, we are able to promptly update you on your order status, provide you with price and delivery quotations, and address any problems or questions you might have. Whether you need standard or custom designed connectors, our marketing department is your liaison with Amphenol Canada's engineering, quality and manufacturing experts.

QUALITY & RELIABILITY

Certified to AS9100D and ISO 9001:2015

Amphenol Canada's broad base of customers and the high levels of technology in which they are involved make it essential that Amphenol's own products are of the highest quality and reliability.

Please contact us for RoHS requirements.

ENGINEERING

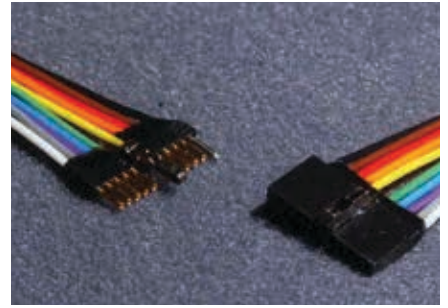
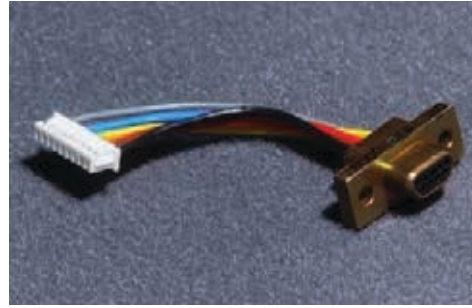
Amphenol Canada provides innovative designs to help our customers solve a variety of EMI / EMP and/or allowable space problems.

The engineering department is fully equipped with 3-D CAD modeling, state-of-the-art electrical test equipment and environmental test chambers; enabling ongoing research and development that contributes to our design solutions of tomorrow.

MANUFACTURING CAPABILITIES

- CNC machining of connector shells and hardware
- Screw machining of contacts
- Stamping (including progressive dies) of shells, contacts and ground plates
- Plating with electroless nickel, cadmium, OD cadmium and other special plating
- Injection molding of thermoset, thermoplastic and rubber
- Tool room equipped to manufacture and maintain tools, dies and moulds
- Final assembly shop equipped with special purpose assembly machinery, equipment and tools, and electrical test equipment
- Model shop for design concept evaluation and prototyping
- Quick reaction facility for speedy manufacturing of pre-production quantities



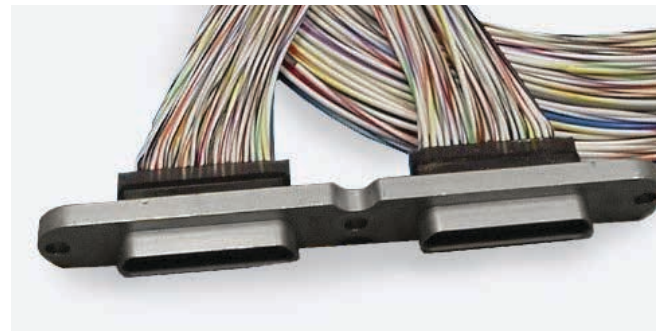


ENGINEERED SOLUTIONS. DESIGNED TO FIT.

Amphenol micro connectors provide small inter-connect solutions, which will exceed the requirements of the US military standard M83513. What differentiates Amphenol from the competition is our overall connector design. Custom solutions can easily be engineered to ensure exact performance in any application.

Amphenol is not limited to the traditional M83513 rectangular connectors but has also developed and produced circular connectors, strip line connectors, PC board connectors, and hybrid connectors utilizing power, signal, coaxial and fiber optics contacts.

MICRO-D



About amphenol Canada	2
Stamped and Formed Contacts	5
Specifications	6
Performance Data	7
Industry Terms for Micro-D Products	8
Contact Arrangements	9
Front & Rear Panel Mounting Guide	10
Panel Cutouts	11

SERIES 100, 102, & 104: STANDARD PROFILE METAL & PLASTIC SHELL CONNECTORS

Wired

How To Order	12-14
Dimensions	15

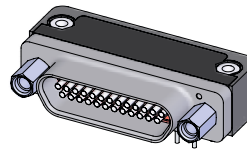
Printed Circuit Board

How To Order	16-17
CBR/HBR Termination Dimensions	18
CBR/HBR Grid Pattern	19-22
BR Termination Dimensions	23
BR Grid Pattern	24
BS Termination Dimensions	25
BS Grid Pattern	26
C6/H6 Termination Dimensions	27
C16/H16 Termination Dimensions	28
C6/H6, C16/H16 Grid Pattern	29-30



SERIES 110: STANDARD REVERSED METAL SHELL CONNECTORS

How To Order	31
CBR Termination Dimensions	32
CBR Grid Pattern	33-34



SERIES 108: LOW PROFILE METAL SHELL CONNECTORS

Wired

How to Order	35
Dimensions	36

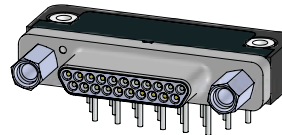
Printed Circuit Board

How to Order	37
CBR Termination Dimensions	38
CBR Grid Pattern	39



SERIES 118: LOW PROFILE REVERSED METAL SHELL CONNECTORS

How to Order	40
CBR Termination Dimensions	41
CBR Grid Pattern	42-43



SERIES 101: LOW PROFILE PLASTIC SHELL CONNECTORS

Wired

How to Order	43-44
Dimensions	45

Printed Circuit Board

How to Order	46
BS Termination Dimensions	47
BR Termination Dimensions	48
CBR Termination Dimensions	49



SERIES 107: O-RING CONNECTORS

Wired

How to Order	50
Dimensions	51

Printed Circuit Board

How to Order	52
C6/H6 Termination Dimensions	53
C6/H6 Grid Pattern	54-56
CBR/HBR Termination Dimensions	57
CBR/HBR Grid Pattern	58-61



TABLE OF CONTENTS

SERIES 117: O-RING REVERSED SHELL CONNECTORS	
How to Order	62
CBR Termination Dimensions	63
CBR Grid Pattern	64-65
SERIES 115 & 116: RIGHT ANGLE WIRES CONNECTORS	
How to Order	66
Dimensions	67
SERIES 119: INTEGRATED BACKSHELL CONNECTORS	
How to Order	68
Dimensions	69
SERIES 105: MICRO-D STRIP CONNECTORS	
How to Order	70
Dimensions	71
SERIES 106: HI-DENSITY CARD CONNECTORS	
Wired	
How to Order	72
Dimensions	73
Printed Circuit Board	
Vertical PCB Mount Dimensions	74
SERIES SMT: SURFACE MOUNT CONNECTORS	
How to Order	75
Card Edge Surface Mount Dimensions	76
Horizontal Surface Mount Dimensions	77
Vertical Surface Mount Dimensions	78
SMT PCB Mount Layouts	79
SERIES SSMM: SOLDER-LESS SURFACE MOUNT CONNECTORS	
Introduction	80
How to Order	81
Solder-Less Surface Mount Dimensions	82
SSMM Grid Pattern	83
SERIES M13: MICRO-D FILTERED CONNECTORS	
How to Order	84
Specifications	85-86
Termination Type 1, Vertical PCB "BS" Dimensions	87
Termination Type 2, Vertical PCB "C6" Dimensions	88
Termination Type 3, Solder Cup Dimensions	89
Termination Type 4, Right Angle PCB "CBR" Dimensions	90
Termination Type 5, Solid Wire Straight Dimensions	91
Termination Type 6, Stranded Wire Straight Dimensions	92
SAVER: SERIES 100, 101, 102 & 104	
How to Order	93
Dimensions	94
STANDARD HARDWARE	
Standard Hardware	95-98
SERIES MBS: EMI BACKSHELLS	
How to Order	99
Elliptical Straight Cable Exit	100
Elliptical Right Angle Cable Exit	101
Circular Straight Cable Exit	102
Circular Right Angle Cable Exit	103
Circular 45° Cable Exit	104
SERIES MDCE: MICRO-D DUST CAPS	
Dust Caps	105
Micro-D Specialty Connectors	106
Micro-D Cable-Harnessed Assemblies	107
Micro-D Custom Connectors	108



Micro-D High Speed Protocol Chart	109
Micro-D Wire Gauge Chart	110
Part Number Cross Reference	111-156

Amphenol Precision Stamped and Formed Contacts at a Glance

- AMPHENOL DESIGN is not like other stamped and formed designs
- FULLY QUALIFIED per MIL-DTL-83513 requirements
- ONE PIECE CONTACT with EQUALLY SPACED compliant tines
- GOLD OVER NICKEL versus gold over copper flash barrier
- TIGHTER CONTROL over plating process
- UNIFORM PLATING thickness
- AUTOMATED STAMPING versus twist process variations
- Integrated closed engaging end ENSURES UNIFORM INSERTION FORCES
- LOW MATING/UNMATING FORCE
- PREFERRED CONTACT for SPACE and SATELLITE applications
- CONTINUOUS CONNECTION along the length of the contact beam (line contact) versus multi-point connection (point contact)



3 TYNE COMPRESSION



**Au/Ni BARRIER
(UNIFORM PLATING THICKNESS)**

MICRO-D SPECIFICATIONS

The Amphenol microminiature connector series are designed and manufactured to meet or exceed Mil-DTL-83513. We offer proven military specification performance and reliability in rectangular and strip line connectors, available in rectangular D, strip, and custom card edge configurations. Inserts with signal and coax/power contacts are also available.

The Amphenol microminiature contact system employs a precision stamped and formed pin contact recessed within the plug insulator. The socket contact is a precision fabricated tube. Pin and socket contacts are epoxy retained in high grade thermoplastic insulators. In addition, beryllium copper gold over nickel plated contacts assures the highest quality for mating and de-mating as well as very low contact resistance. The contacts are set at .050" center to center lines which yields 4 times the density of the D-sub.

The contact system has proven reliability, exceeding the performance specifications of MIL-DTL-83513.

Variety of terminations (solder cup, terminated to wire harness, and board mount configurations), shells (plastic and metal) in a broad range of shell finishes, mounting hardware (jack screw, posts, guide pins), and back-shells (straight and angled) are available to be tailored to your needs.

MICROMINIATURE CONNECTOR

The following data applies to a standard Amphenol Canada micro-d connector with wires or PCB termination. Variations from standard products may cause performance to vary from that mentioned below. Consult factory for special applications and requirements.

MICRO-D

SPECIFICATIONS		
Shell Material	(100, 106, 107, 108, 110, 115, 116, 119 & M13 series)	Aluminum alloy 6061-T6 per QQ-A-200/8
	104 Series:	Stainless steel
	Std. Plastic (101, 102 & 105 Series):	Polyphenylene sulfide (Ryton)
	High Temp Plastic:	High performance thermoplastic (PEEK or equivalent)
Shell Finish (Metal Shell Only)	Anodized (Black), Zinc Nickel (Black Chromate), Cadmium (Yellow Chromate), Olive Drab Cadmium, Chem Film, Electroless Nickel, Gold, Zinc Nickel-48 HRS, Pure Electro-Deposited Aluminum, Nickel Teflon	
Insulator / PCB Backshell	Polyphenylene sulfide (Ryton) per MIL-M-24519, type GST-40F; colour: black	
Contacts	Copper alloy, 50 micro-inches gold plate over nickel	
Hardware	Stainless steel, passivated	
Potting Material	Std. Epoxy:	EP1730-1 or equivalent; colour: black
	High Temp Epoxy:	EP173859 or equivalent
Wire	Insulated Wire:	MIL-W-16878/4 or /6 (available 7 or 19 strands) MIL-W-22759/11 or /33
	Solid Uninsulated Wire:	Copper per A-A-59551 (QQ-W-343)
Coupling	Friction or Jackscrews into jackposts/threaded Inserts	
Contact Spacing	.050 (1.27) centers	
Shell Styles (Gender)	Plug (pin contacts) and receptacle (socket contacts)	
Number of Contacts	Standard Micro-d:	9, 15, 21, 25, 31, 37, 51, 69, 100
	Combo (Hybrid) Micro-d:	7W2 or 7C2 (5 signal, 2 power/coax) 24W4 or 24C4 (20 signal, 4 power/coax)
	High Density Connector (106 Series):	50, 54, 58, 62, 66, 70, 74, 104, 112, 120, 128, 136, 144, 152
	Strip Connector (105 Series):	1 thru 30 (no guide pins) 1 thru 29 (guide pin on one end) 1 thru 28 (guide pin on both ends)
	Coaxial Cable	RG-178/U others available upon request
Wire Size	#24 thru #32 AWG (largest to smallest diameter)	
Contact Termination	Multiple indent crimp	

Contact Amphenol Canada for more information at 416-291-4401 • www.amphenolcanada.com
Download 2D drawings & 3D models using our online configurator.

MICROMINIATURE CONNECTOR PERFORMANCE DATA

The following data applies to a standard Amphenol Canada micro-d connector that is in accordance with M83513 spec. Variations from standard products may cause performance to vary from that mentioned below. Consult factory for special applications and requirements.

TEST DESCRIPTION	SPECIFICATION/ METHOD *	LIMITS
Contact Rating		3 amps max.
Magnetic Permeability	ASTM-A342/A342M	2.0 μ max.
D.W.V. (Test voltage rms 60 Hz ac volts)	EIA-364-20	at sea level: 600 vac for solder pot and standard wire (Test voltage rms 60 Hz ac volts) at 70,000 ft altitude (reduced barometric pressure): 150 Vac for solder pot and standard wire
Insulation Resistance	EIA-364-21	5000 megohms min.
Contact Resistance	EIA-364-23	8 milliohms at 3 amps
Contact Engagement Force	MIL-DTL-83513	6.0 oz. max.
Contact Separation Force	MIL-DTL-83513	0.5 oz. min.
Connector Mating Force	MIL-DTL-83513	(10 oz. times no. of contacts) max.
Connector Unmating Force	MIL-DTL-83513	(0.5 oz. times no. of contacts) min.
Thermal Shock (Temperature Cycling)	EIA-364-32, condition I, 5 cycles	No physical damage -55°C to +125°C (-67°F to +257°F)
Mechanical Shock (Specified Pulse)	EIA-364-27, condition E	No physical damage and no loosening of parts No loss of continuity > 1 micro-sec.
Vibration	EIA-364-28, condition IV	No physical damage and no loosening of parts No loss of continuity > 1 micro-sec.
Durability	MIL-DTL-83513	500 mating cycles at a rate of 200 ±100 CPH
Salt Spray (Corrosion)	EIA-364-26, condition B	Meets mateability and contact resistance requirements
Fluid Immersion	MIL-DTL-83513	Meets mateability requirements
Humidity	EIA-364-31	Meets D.W.V. and insulation resistance requirements 1 megohm min. after step 6, 1000 megohms min. after 24 hrs of conditioning
Insert Retention (class M)	MIL-DTL-83513	50 lbs psi (axial load)
Solderability	MIL-STD-202, method 208	Withstand test condition
Contact Retention E	IA-364-29	5 lbs min. (axial load)
Thermal Vacuum Outgassing (Space Classes)	SP-R-0022 or ASTM E595	Exceeds MIL-DTL-83513 requirements; standard is 1.0% (Space Classes) max TML and 0.1% max VCM of original mass

* Standards References

MIL = Department of Defense

ASTM = ASTM International

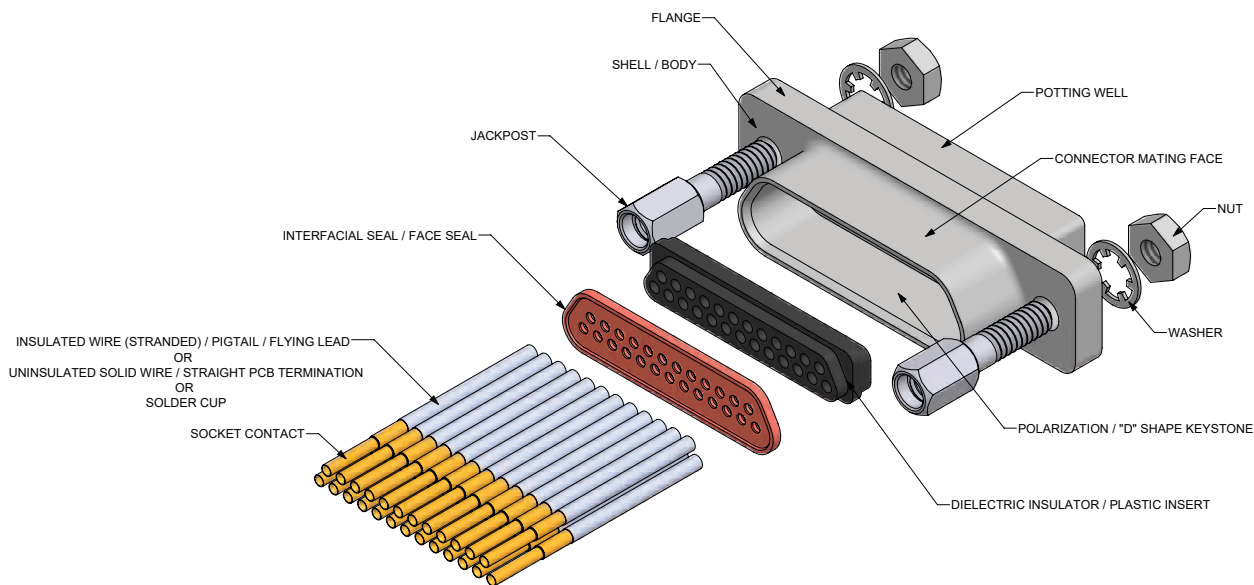
EIA = Electronic Industries Association

SP = NASA

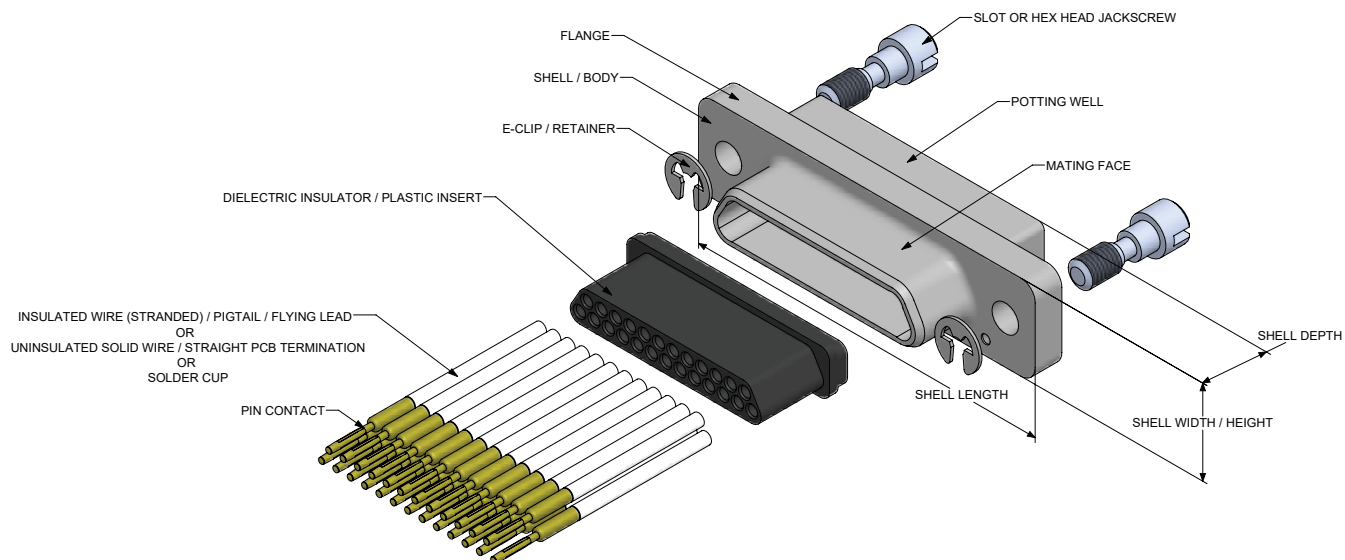
** Does not apply for die-cast parts
(consult factory before ordering)

Detailed View of Micro-D Connectors

RECEPTACLE/ FEMALE / SOCKET CONNECTOR

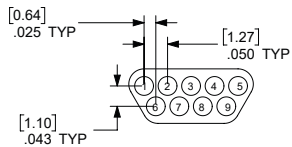


PLUG / MALE / PIN CONNECTOR



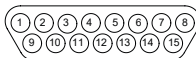
MICRO-D

PIN

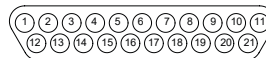


SOCKET

9 CONTACTS

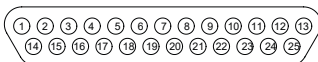


15 CONTACTS

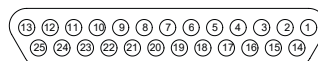


21 CONTACTS

PIN



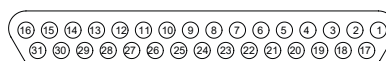
SOCKET



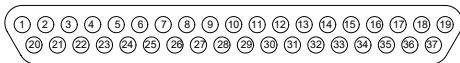
25 CONTACTS



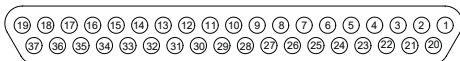
31 CONTACTS



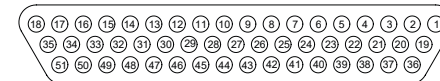
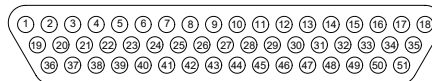
PIN



SOCKET

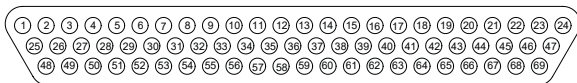


37 CONTACTS

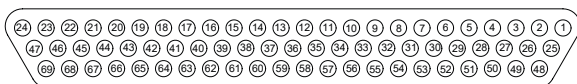


51 CONTACTS

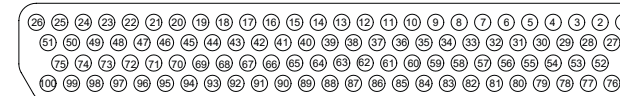
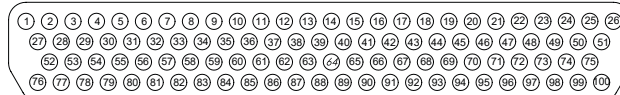
PIN



SOCKET

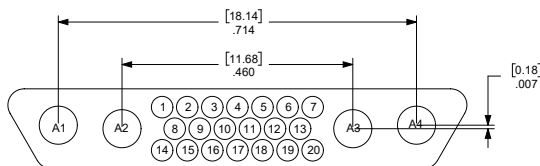


69 CONTACTS

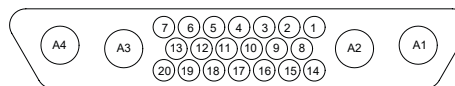


100 CONTACTS

24W4 / 24P4 : 4 COAX/POWER + 20 SIGNAL CONTACTS IN A 51 WAY MICRO-D SHELL

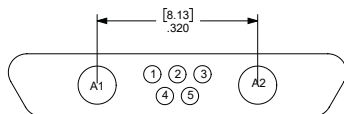


PIN

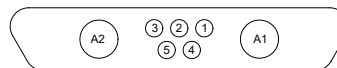


SOCKET

7W2 / 7P2 : 2 COAX/POWER + 5 SIGNAL CONTACTS IN A 25 WAY MICRO-D SHELL



PIN



SOCKET

Cavity identification numbers are for reference only and does not appear on the connector. Coax and power contacts are not to MIL-spec.

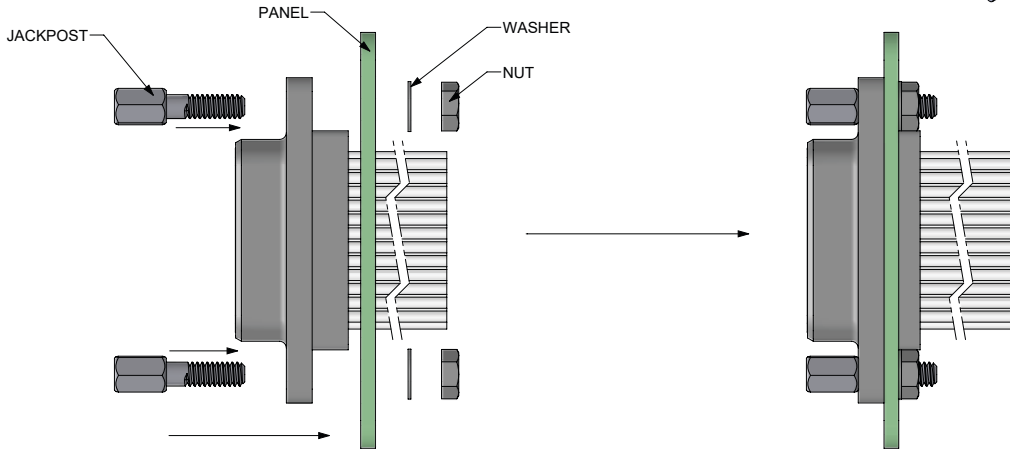
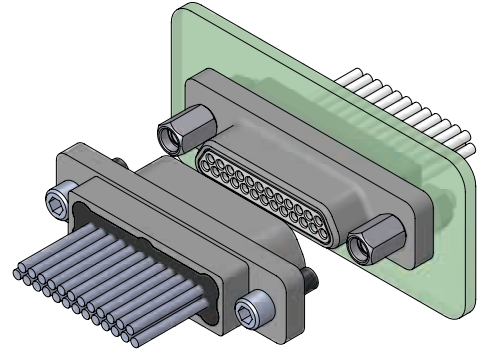
FRONT & REAR PANEL MOUNTING GUIDE

FRONT PANEL MOUNTING

Available in two different hardware sizes:

- #2-56 / M2 for size 9-69
- #4-40 / M3 for size 100.

Please see page 90 for hardware details



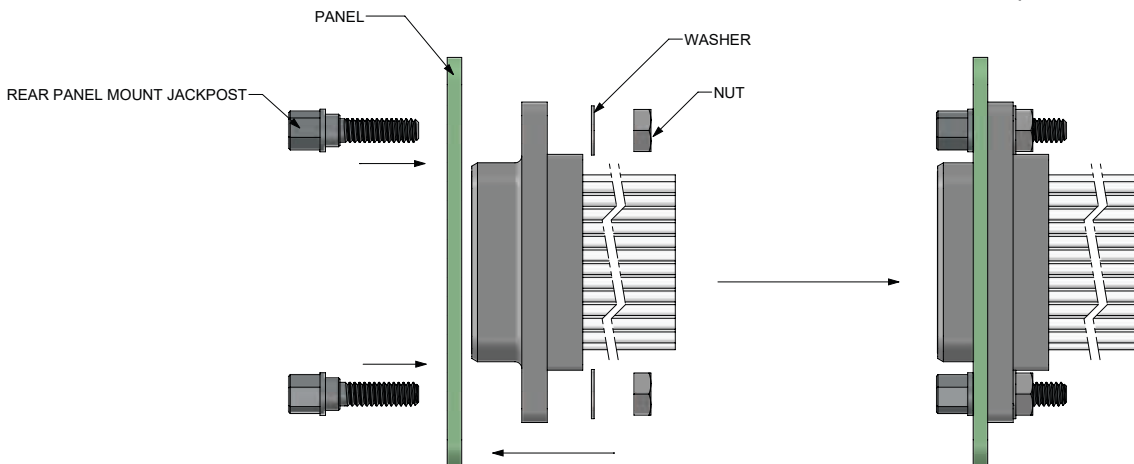
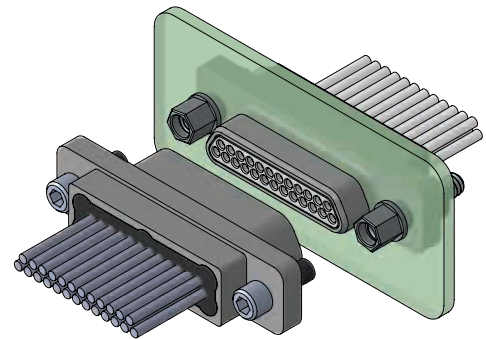
MICRO-D

REAR PANEL MOUNTING

Available in two different hardware sizes:

- #2-56 / M2 for size 9-69
- #4-40 / M3 for size 100.

Please see page 90 for hardware details



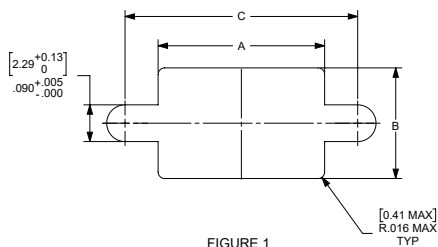


FIGURE 1
SIZE 9-69 FRONT MOUNTING

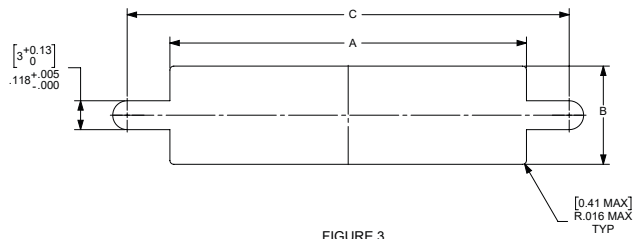


FIGURE 3
SIZE 100 FRONT MOUNTING

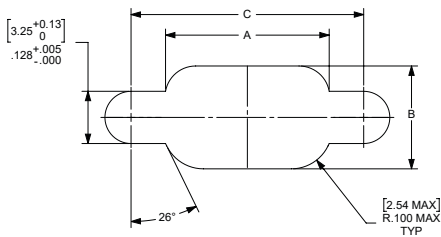


FIGURE 2
SIZE 9-69 REAR MOUNTING

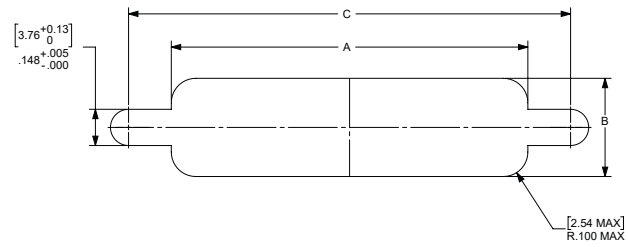


FIGURE 4
SIZE 100 REAR MOUNTING

Dimensions are in inch (mm)

SIZE	FIGURE	A +.004 (0.10) -.000 (0.00)	B +.004 (0.10) -.000 (0.00)	C +.005 (0.13) -.000 (0.00)
9	1	.404 (10.26)	.274 (6.96)	.570 (14.48)
	2	.408 (10.36)	.258 (6.55)	
15	1	.554 (14.07)	.274 (6.96)	.720 (18.29)
	2	.559 (14.20)	.258 (6.55)	
21	1	.704 (17.88)	.274 (6.96)	.870 (22.10)
	2	.709 (18.00)	.258 (6.55)	
25	1	.804 (20.42)	.274 (6.96)	.970 (24.64)
	2	.809 (20.55)	.258 (6.55)	
31	1	.954 (24.23)	.274 (6.96)	1.120 (28.45)
	2	.959 (24.36)	.258 (6.55)	
37	1	1.104 (28.04)	.274 (6.96)	1.270 (32.26)
	2	1.109 (28.17)	.258 (6.55)	
51	1	1.054 (26.77)	.315 (8.00)	1.220 (30.99)
	2	1.059 (26.90)	.301 (7.64)	
69	1	1.354 (34.39)	.315 (8.00)	1.520 (38.62)
	2	1.358 (34.49)	.301 (7.64)	
100	3	1.446 (36.73)	.364 (9.25)	1.805 (45.85)
	4	1.459 (37.06)	.406 (10.31)	

Series 101 Only

SIZE	FIGURE	A +.004 (0.10) -.000 (0.00)	B +.004 (0.10) -.000 (0.00)	C +.005 (0.13) -.000 (0.00)
9	1	.412 (10.46)	.177 (4.50)	.570 (14.48)
	2	.385 (9.78)	.223 (5.66)	
15	1	.562 (14.27)	.177 (4.50)	.720 (18.29)
	2	.535 (13.59)	.223 (5.66)	
21	1	.712 (18.08)	.177 (4.50)	.870 (22.10)
	2	.685 (17.40)	.223 (5.66)	
25	1	.812 (20.62)	.177 (4.50)	.970 (26.64)
	2	.785 (19.94)	.223 (5.66)	
31	1	.962 (24.43)	.177 (4.50)	1.120 (28.45)
	2	.935 (23.75)	.223 (5.66)	
37	1	1.112 (28.24)	.177 (4.50)	1.270 (32.26)
	2	1.085 (27.56)	.223 (5.66)	
51	1	1.062 (26.97)	.225 (5.71)	1.220 (30.99)
	2	1.035 (26.29)	.265 (6.73)	

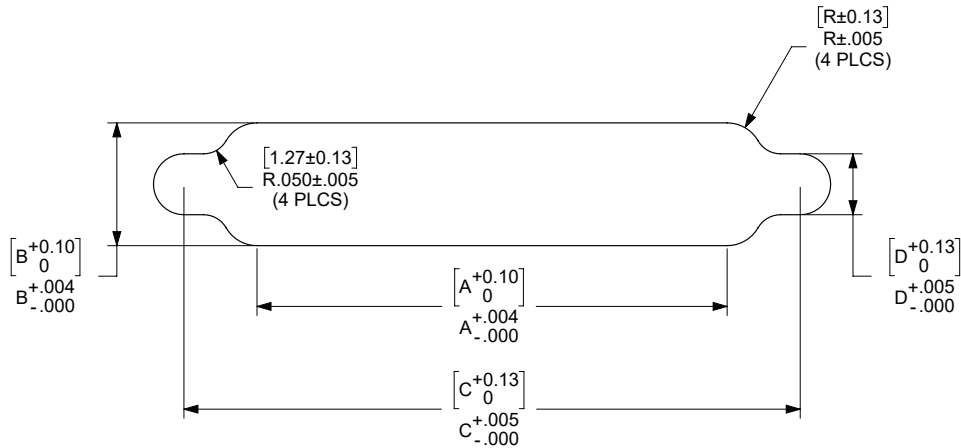
Sizes 69 & 100 are not applicable for 101 series plastic connectors.

Notes:

Shell sizes 9-69 front mounting (Figure 1) and rear mounting (Figure 2) cutouts accommodate #2-56 screws.

Shell size 100 front mounting (Figure 3) and rear mounting (Figure 4) cutouts accommodate #4-40 screws.

Rear Panel Mounting for Rear Panel Mount (RPM) Jackpost



FRONT VIEW
Size 9-100

MICRO-D

Dimensions are in inch (mm)

Size	A	B	C	D	R
09	.265 (6.73)	.300 (7.62)	.570 (14.48)	.130 (3.30)	.110 (2.79)
15	.415 (10.54)		.720 (18.29)		
21	.565 (14.35)		.870 (22.10)		
25	.665 (16.89)		.970 (26.64)		
31	.815 (20.70)		1.120 (28.45)		
37	.965 (24.51)	.340 (8.64)	1.270 (32.26)	.100 (2.54)	
51	.915 (23.24)		1.220 (30.99)		
69	1.215 (30.86)		1.520 (38.61)		
100	1.500 (38.10)	.385 (9.78)	1.805 (45.85)	.195 (4.95)	

How To Order:

FEATURES:

- Supplied pre-wired and fully potted
- Plastic and metal shells are intermateable and intermountable.
- Metal shells to provide RFI/EMI shielding

1.	2.	3.	4.	5.	6.	7.	8.	9.	10.	11.	12.
RoHS Compliance	Connector Series	Insulator Material	Shell Finish	Connector Size	Connector Type	Wire Size (AWG)	Wire Type	Wire Color/Finish	Wire Length	Hardware	Non Standard Length Code
	100	R	N	25	P-	4	A	5	F	P-	48

1. RoHS Compliance

E	RoHS Compliant
	Blank for Non-ROHS

5. Connector Size (Number of contacts)

09
15
21
25
31
37
51
69
100

All sizes I.A.W M83513 except size 69 (non-military)

2. Connector Series

100	Metal Shell Per M83513
102	Plastic Shell (Dimensionally Identical to Metal Shell Per M83513)
104	Stainless Steel (Dimensionally identical to metal shell per M83513)

6. Connector Type

P-	Plug
S-	Receptacle
G-	Plug with Ground Spring

3. Insulator Material

R	Polyphenylene Sulfide (Ryton)
----------	-------------------------------

7. Wire Size (AWG)

	Omit for Solder Cup
1	32
2	30
3	28
4	26 (M83513) *Off Shelf
5	25 (Solid Wire Only)
6	24
7	Special 24 AWG Solder Cup (Omit Steps 8-10)

4. Shell Finish

	Omit for series 102 & 104
A	Anodized (Black)
B	Zinc Nickel (Black Chromate)
C	Cadmium (Yellow Chromate)
D	Olive Drab Cadmium
F	Chem Film
N	Electroless Nickel
G	Gold
K	Zinc Nickel - 48 Hrs
L	Pure Electro-Deposited Aluminum
T	Nickel Teflon

8. Wire Type

	Omit for Solder Cup
GENERAL APPLICATIONS:	
A	7 Strd. per NEMA-HP3 (MIL-W-16878/4)
B	7 Strd. per NEMA-HP3 (Formerly MIL-W-16878/6)
C	19 Strd. Per NEMA-HP3 (MIL-W-16878/4)
D	19 Strd. Per NEMA-HP3 (MIL-W-16878/6)
MILITARY/AEROSPACE:	
E	Per MIL-W-22759/11 (M83513 Standard)
F	Per MIL-W-22759/33 (Space Grade)
L	Solid Wire Uninsulated
G	04035-26A

9. Wire Color / Finish

	Omit for Solder Cup
1	All White (M83513 STD) *Off Shelf
2	All Yellow
3	Solid Wire Uninsulated, Tin Plated
4	Solid Wire Uninsulated, Gold Plated
5	Color coded per Mil-STD-681, System 1
6	1st 10 Colors black thru white, repeated (M83513 STD) Off shelf
7	1st 15 colors black thru white/Yellow Repeated (Size 21+ Only)
8	Twisted Pairs, White/Blue
9	Twisted Pairs, White/Blue, Marked

10. Wire Length (Inches)

	Omit for Solder Cup
A	18.00 (+1.00/-0.00)
B	36.00 (+1.00/-0.00)
C	72.00 (+1.00/-0.00)
D	.500 (Solid Wire Only +0.20/-0.00)
E	1.00 (Solid Wire Only +0.20/-0.00)
F	Non-Standard Length

MICRO-D HARNESSSED CONNECTORS

SERIES 100, 102, & 104

QUALIFIED TO M83513/01 THRU /04

How To Order:

1.	2.	3.	4.	5.	6.	7.	8.	9.	10.	11.	12.
RoHS Compliance	Connector Series	Insulator Material	Shell Finish	Connector Size	Connector Type	Wire Size (AWG)	Wire Type	Wire Color/ Finish	Wire Length	Hardware	Non Standard Length Code
	100	R	N	25	P-	4	A	5	F	P-	48

MICRO-D

11. Hardware (Pre-Installed by Factory)		11. Hardware (Pre-Installed by Factory)		12. Non Standard Length Code (inches)	
B-	Standard Mounting Holes	SB-	Slot Head RPM for .042"-.052" (1.06mm-1.32mm) Panel Thickness	Stranded Wire	1=1.00", 100=100.00"
H-	Threaded Mounting Hole #2-56 (Size 9-69), #4-40 (Size 100)	SC-	Slot Head RPM for .057" - .067" (1.45mm-1.70mm) Panel Thickness	Solid Wire (0.109" < Length < 1.00")	110=.110", 999=.999"
D-	Metric Threaded Mounting Hole M2 (Size 9-96), M3 (Size 100)	SD-	Slot Head RPM for .088" - .098" (2.24mm-2.49mm) Panel Thickness		
P-	Jackpost	SE-	Slot Head RPM for .075" - .085" (1.91mm-2.16mm) Panel Thickness		
PA-	Hex Head Rear Panel Mount Jackpost for .027"-.037" (.68mm - .94mm) Panel Thickness	SF-	Slot Head RPM for .120" - .130" (3.05mm-3.30mm) Panel Thickness		
PB-	Hex Head RPM for .042" - .052" (1.06mm - 1.32mm) Panel Thickness	SG-	Slot Head RPM for .067" - .077" (1.70mm-1.96mm) Panel Thickness		
PC-	Hex Head RPM for .057" - .067" (1.45mm-1.70mm) Panel Thickness	M2-	Low Profile Jackscrew, Allen Head		
PD-	Hex Head RPM for .088" - .098" (2.24mm-2.49mm) Panel Thickness	M3-	High Profile Jackscrew, Allen Head		
PE-	Hex Head RPM for .075" - .085" (1.91mm-2.16mm) Panel Thickness	M5-	Low Profile Jackscrew, Slot Head		
PF-	Hex Head RPM for .120" - .130" (1.91mm-2.16mm) Panel Thickness	M6-	High Profile Jackscrew, Slot Head		
PG-	Hex Head RPM for .067" - .077" (1.70mm-1.96mm) Panel Thickness	L-	Captive Low Profile Jackscrew		
SA-	Slot Head Rear Panel Mount Jackpost for .027"-.037" (.68mm-.94mm) Panel Thickness	K-	Captive High Profile Jackscrew		
		F-	Forward Float Mount		
		R-	Reverse Float Mount		

How to Order M83513

SOLDER CUP TERMINATION:

1.	2.	3.	4.
Connector Series	Specification Sheet	Insert Arrangement	Shell Finish
M83513/	01-	H	C

1. Connector Series		2. Specification Sheet		3. Insert Arrangement		4. Shell Finish	
M83513/	M83513	01-	Plug (Pin)	A	9	C	Cadmium
		02-	Receptacles (Socket)	B	15	N	Electroless Nickel
				C	21	P	Passivated Stainless Steel
				D	25		
				E	31		
				F	37		
				G	51		
				H	100		

CRIMP TERMINATION:

1.	2.	3.	4.	5.
Connector Series	Specification Sheet	Insert Arrangement	Wire Type (Inches +1.00/-0.00)	Shell Finish
M83513/	03-	D	01	N

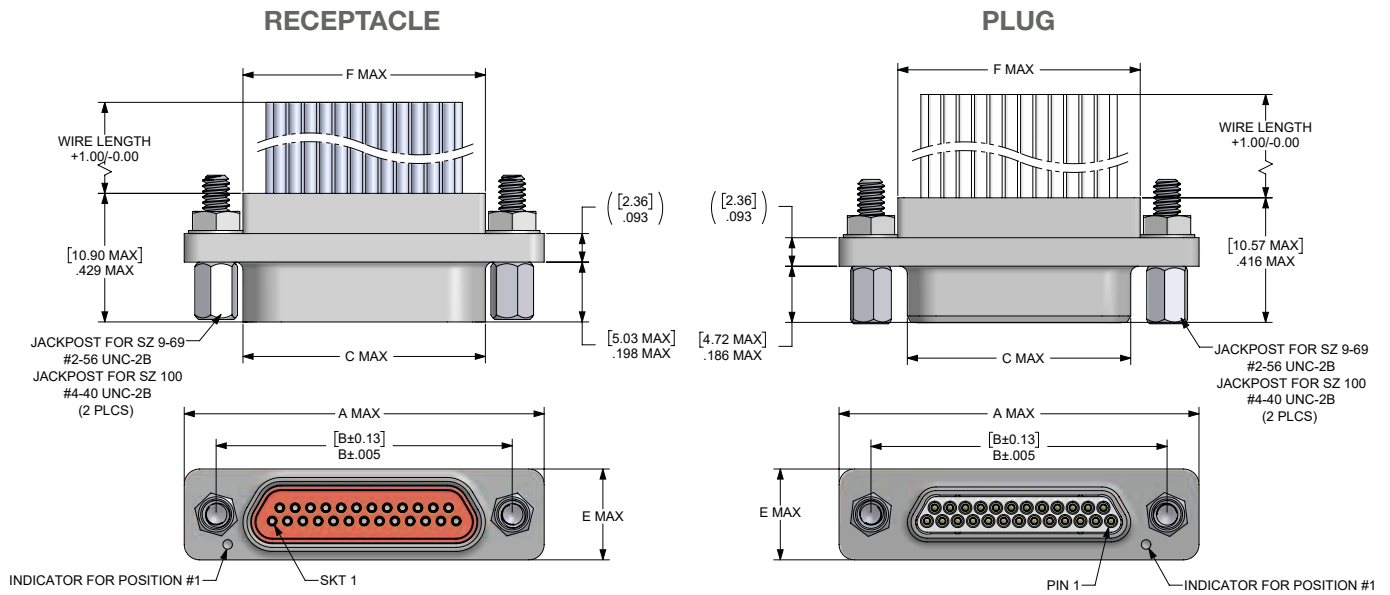
1. Connector Series		4. Wire Type *(Inches +1.00/-0.00)		4. Wire Type *(Inches +1.00/-0.00)		5. Shell Finish	
M83513/	M83513	01	M22759/11-26-9, 18"	10	M22759/33-26-9, 36"	C	Cadmium
		02	M22759/11-26-9, 36"	11	M22759/33-26-(*) , 18"	N	Electroless Nickel
		03	M22759/11-26-(*) , 18"	12	M22759/33-26-(*) , 36"	P	Passivated Stainless Steel
		04	M22759/11-26-(*) , 36"	13	M22759/11-26-9, 72"		
		05	A-A-59551, Type S, 25 AWG, except shall be gold plated 10 micro-inches; 0.5"	14	M22759/11-26-(*) , 72"		
		06	A-A-59551, TYPE S, 25 AWG, except shall be gold plated 10 micro-inches; 1.0"	15	M22759/33-26-9, 72"		
		07	A-A-59551, TYPE S, 25 AWG, tin plated 100 micro-inches; 0.5"	16	M22759/33-26(*) , 72"		
		08	A-A-59551, TYPE S, 25 AWG, tin plated 100 micro-inches; 1.0"	17	04035-26A-9, 18"		
		09	M22759/33-26-9, 18"	18	04035-26A-9, 36"		
				19	04035-26A-9, 72"		
				20	04035-26A-(*) , 18"		
				21	04035-26A-(*) , 36"		
				22	04035-26A-(*) , 72"		

MICRO-D HARNESSED CONNECTORS

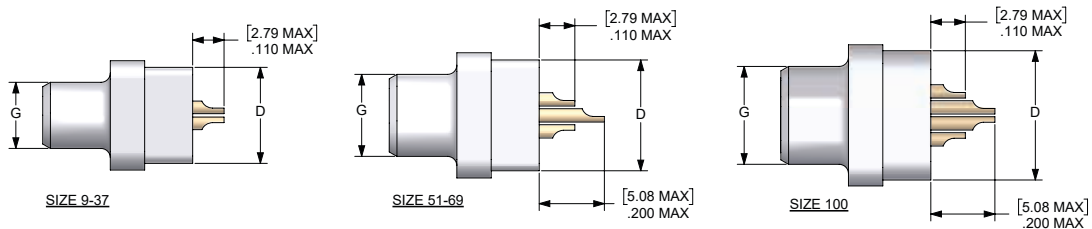
SERIES 100, 102, & 104

QUALIFIED TO M83513/01 THRU /04

WIRE TERMINATION: M83513/03 & /04



SOLDER CUP TERMINATION PLUG/RECEPTACLE: M83513/01 & /02



Dimensions are in inch (mm)

SIZE	A MAX	B ±.005 (0.13)	C MAX		D MAX	E MAX	F MAX	G MAX	
			PLUG	RCPT				PLUG	RCPT
09	.785 (19.94)	.565 (14.35)	.334 (8.48)	.402 (10.21)	.270 (6.86)	.308 (7.82)	.400 (10.16)	.185 (4.70)	.253 (6.43)
15	.935 (23.75)	.715 (18.16)	.484 (12.29)	.552 (14.02)			.550 (13.97)		
21	1.085 (27.56)	.865 (21.97)	.634 (16.10)	.702 (17.83)			.700 (17.78)		
25	1.185 (30.10)	.965 (24.51)	.734 (18.64)	.802 (20.37)			.800 (20.32)		
31	1.335 (33.91)	1.115 (28.32)	.884 (22.45)	.952 (24.18)			.950 (24.13)		
37	1.485 (37.72)	1.265 (32.13)	1.034 (26.26)	1.102 (27.99)			1.100 (27.94)		
51	1.435 (36.45)	1.215 (30.86)	.984 (24.99)	1.052 (26.72)	.310 (7.87)	.351 (8.92)	1.050 (26.67)	.228 (5.79)	.296 (7.52)
69	1.735 (44.07)	1.515 (38.48)	1.289 (32.74)	1.357 (34.47)			1.350 (34.29)		
100	2.170 (55.12)	1.800 (45.72)	1.384 (35.13)	1.452 (36.88)			1.442 (36.63)		

Note: In receptacle, interfacial seal not included for plastic shell

Contact Amphenol Canada for more information at 416-291-4401 • www.amphenolcanada.com
 Download 2D drawings & 3D models using our online configurator.

MICRO-D

How To Order:

FEATURES

- Available in straight and right angle termination style
- Solid copper 24 AWG PCB leads, Tin plated, and solder dipped

1.	2.	3.	4.	5.	6.	7.	8.	9.	10.	11.
RoHS Compliance	Connector Series	Insulator Material	Shell Finish	Connector Size	Connector Type	Termination Type	Hardware	Threaded Insert	Lead Length (inches)	Non-Standard Length (inches)
	100	R	N	25	P-	BR	P	T	F-	125

1. RoHS Compliance

E	RoHS Compliant
	Blank for Non-RoHS

5. Connector Size (Number of Contacts)

09
15
21
25
31
37
51
69
100

All sizes I.A.W M83513 except size 69 (non-military)

2. Connector Series

100	Metal Shell Per M83513
102	Plastic Shell (Dimensionally Identical to Metal Shell Per M83513)
104	Stainless Steel (Dimensionally identical to metal shell per M83513)

6. Connector Type

P-	Plug
S-	Receptacle
G-	Plug with Ground Spring

3. Insulator Material

R	Polyphenylene Sulfide (Ryton)
----------	-------------------------------

7. Termination Type

CBR	Narrow Right Angle PCB Per M83513/10 - /15
HBR	High Density CBR
BR	Right angle PCB Per M83513/16 - /21
BS	Straight PCB Per M83513/22 - /27
C6	Straight PCB Per M83513/28 - /33
H6	High Density C6
C16	Straight PCB with Flange (C6 PCB Configuration)
H16	High Density C16

4. Shell Finish

	Omit for series 102 & 104
A	Anodized (Black)
B	Zinc Nickel (Black Chromate)
C	Cadmium (Yellow Chromate)
D	Olive Drab Cadmium
F	Chem Film
N	Electroless Nickel
G	Gold
K	Zinc Nickel - 48 Hrs
L	Pure Electro-Deposited Aluminum
T	Nickel Teflon

8. Hardware BS, BR, CBR/HBR & C6/H6 (Pre-Installed)

	Omit for no jackpost or thread
H	Threaded Mounting Hole #2-56 (Size 9-69), #4-40 (Size 100)
D	Metric Threaded Mounting Hole M2 (Size 9-96), M3 (Size 100)
P	Jackpost
PA	Hex Head Rear Panel Mount Jackpost for .027"-.037" [.68mm-.94mm]
PB	Hex Head RPM for .042" - .052" [1.06mm - 1.32mm] Panel Thickness
PC	Hex Head RPM for .057" - .067" [1.45mm - 1.70mm] Panel Thickness
PD	Hex Head RPM for .088" - .098" [2.24mm - 2.49mm] Panel Thickness
PE	Hex Head RPM for .075"-.085" [1.91mm - 2.16mm] Panel Thickness
PF	Hex Head RPM for .120"-.130" [3.05mm - 3.30mm] Panel Thickness

8. Hardware BS, BR, CBR/HBR & C6/H6 (Pre-Installed)

PG	Hex Head RPM for .067"-.077" [1.70mm - 1.96mm] Panel Thickness
SA	Slot Head Rear Panel Mount Jackpost for .027" - .037" [.68mm - .94mm] Panel Thickness
SB	Slot Head RPM for .042" - .052" [1.06mm - 1.32mm] Panel Thickness
SC	Slot Head RPM for .057" - .067" [1.45mm - 1.70mm] Panel Thickness
SD	Slot Head RPM for .088" - .098" [2.24mm - 2.49mm] Panel Thickness
SE	Slot Head RPM for .075"-.085" [1.91mm - 2.16mm] Panel Thickness
SF	Slot Head RPM for .120"-.130" [3.05mm - 3.30mm] Panel Thickness
SG	Slot Head RPM for .067"-.077" [1.70mm - 1.96mm] Panel Thickness

8. Hardware C16/H16 Only

B	Standard Mounting Holes
M2	Low Profile Jackscrew, Allen Head
M3	High Profile Jackscrew, Allen Head
M5	Low Profile Jackscrew, Slot Head
M6	High Profile Jackscrew, Slot Head
L	Captive Low Profile Jackscrew
K	Captive High Profile Jackscrew
F	Forward Float Mount
R	Reverse Float Mount

How To Order:

1.	2.	3.	4.	5.	6.	7.	8.	9.	10.	11.
RoHS Compliance	Connector Series	Insulator Material	Shell Finish	Connector Size	Connector Type	Termination Type	Hardware	Threaded Insert	Lead Length (inches)	Non-Standard Length (inches)
	100	R	N	25	P-	BR	P	T	F-	125

9. Threaded Insert (Pre-Installed PCB Mounting Options)

	Omit for no threaded Insert
T	#2-56 Threaded Insert (Size 9-69)
U	#4-40 Threaded Insert (Size 100 Only)
V	M2 Threaded Insert (Size 9-69)
Z	M3 Threaded Insert (Size 100 Only)

10. Lead Length (inches)

1-	.109 ± .015
2-	.140 ± .015
3-	.172 ± .015
4-	.250 ± .015
F-	Non Standard Length
GOLD	
5-	.109 ± .015
6-	.140 ± .015
7-	.172 ± .015
8-	.250 ± .015
G-	Non Standard Length

11. Non-Standard Length (inches)

(0.109 < Length < 1.00)
e.g -125 =.125 Inches

MICRO-D

M83513 PCB TERMINATION

1.	2.	3.	4.	5.	6.
Connector Series	Specifications Sheet	Insert Arrangement	Lead Length	Shell Finish	Hardware
M83513/	10-	A	01	N	P

2. Specifications Sheets

10-	Plug (Pin), CBR Type, Size 9-37
11-	Plug (Pin), CBR Type, Size 51
12-	Plug (Pin), CBR Type, Size 100
13-	Receptacle (Socket), CBR Type, Size 9-37
14-	Receptacle (Socket), CBR Type, Size 51
15-	Receptacle (Socket), CBR Type, Size 100
16-	Plug (Pin), BR Type, Size 9-37
17-	Plug (Pin), BR Type, Size 51
18-	Plug (Pin), BR Type, Size 100
19-	Receptacle (Socket), BR Type, Size 9-37
20-	Receptacle (Socket), BR Type, Size 51
21-	Receptacle (Socket), BR Type, Size 100

2. Specifications Sheets

22-	Plug (Pin), BS Type, Size 9-37
23-	Plug (Pin), BS Type, Size 51
24-	Plug (Pin), BS Type, Size 100
25-	Receptacle (Socket), BS Type, Size 9-37
26-	Receptacle (Socket), BS Type, Size 51
27-	Receptacle (Socket), BS Type, Size 100
28-	Plug (Pin), C6 Type, Size 9-37
29-	Plug (Pin), C6 Type, Size 51
30-	Plug (Pin), C6 Type, Size 100
31-	Receptacle (Socket), C6 Type, Size 9-37
32-	Receptacle (Socket), C6 Type, Size 51
33-	Receptacle (Socket), C6 Type, Size 100

3. Insert Arrangement

A	9
B	15
C	21
D	25
E	31
F	37
G	51*
H	100**

*Applicable for spec sheet 11, 14, 17, 20, 23, 26, 29, & 32
 **Applicable for spec sheet 12, 15, 18, 21, 24, 27, 30, & 33

4. Lead Length (inches)

01	.109 ± .015
02	.140 ± .015
03	.172 ± .015

5. Shell Finish

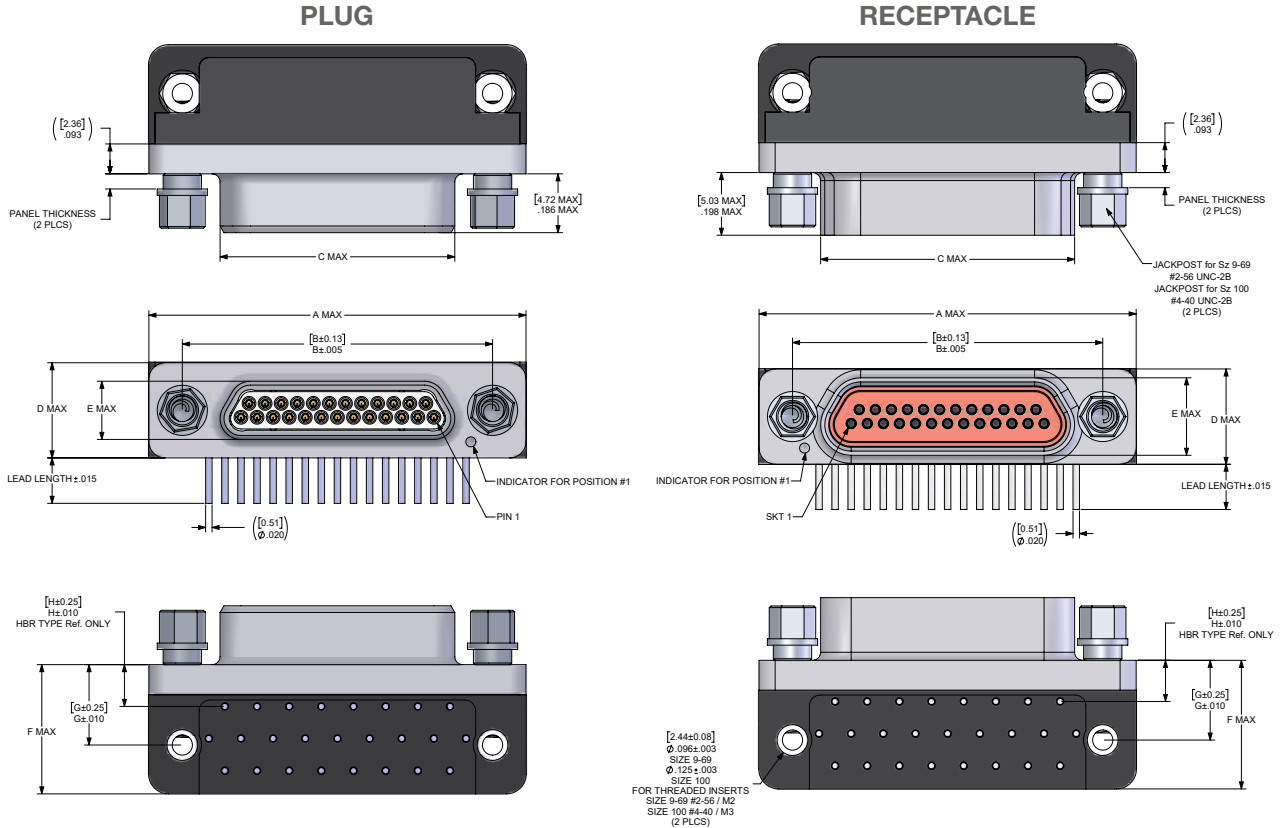
C	Cadmium
N	Electroless Nickel
P	Passivated Stainless Steel

6. Hardware

N	No Jackpost or Threaded Insert
P	Jackpost
T	Threaded Insert
W	Jackpost and Threaded Insert

CBR/HBR Termination

BOARD RIGHT ANGLE CONNECTOR



Note: In receptacle, interfacial seal not included for plastic shell

Dimensions are in inch(mm)

SIZE	A MAX	B ±.005 (0.13)	C MAX		D MAX	E MAX		F MAX		G ±.010 (0.25)	H	
			PLUG	RCPT		PLUG	RCPT	CBR	HBR		CBR ±.010 (0.25)	HBR ref.
09	.785 (19.94)	.565 (14.35)	.334 (8.48)	.402 (10.21)							.230 (5.84)	.213 (5.41)
15	.935 (23.75)	.715 (18.16)	.484 (12.29)	.552 (14.02)				.420 (10.67)				
21	1.085 (27.56)	.865 (21.97)	.634 (16.10)	.702 (17.83)								
25	1.185 (30.10)	.965 (24.51)	.734 (18.64)	.802 (20.37)	.308 (7.82)	.185 (4.70)	.253 (6.43)		.400 (10.16)	.250 (6.35)	.130 (3.30)	.175 (4.45)
31	1.335 (33.91)	1.115 (28.32)	.884 (22.45)	.952 (24.18)								
37	1.485 (37.72)	1.265 (32.13)	1.034 (26.26)	1.102 (27.99)				.520 (13.21)				
51	1.435 (36.45)	1.215 (30.86)	.984 (24.99)	1.052 (26.72)				.650 (16.15)	.490 (12.45)	.300 (7.62)	.150 (3.81)	.188 (4.78)
69	1.735 (44.07)	1.515 (38.48)	1.289 (32.74)	1.357 (34.47)	.351 (8.92)	.228 (5.79)	.296 (7.52)	.755 (19.18)			.150 (3.81)	.188 (4.78)
100	2.170 (55.12)	1.800 (45.72)	1.384 (35.15)	1.452 (36.88)	.394 (10.01)	.271 (6.88)	.333 (8.46)	1.000 (25.40)	.660 (16.76)	.400 (10.16)	.200 (5.08)	.213 (5.41)

MICRO-D PCB CONNECTORS

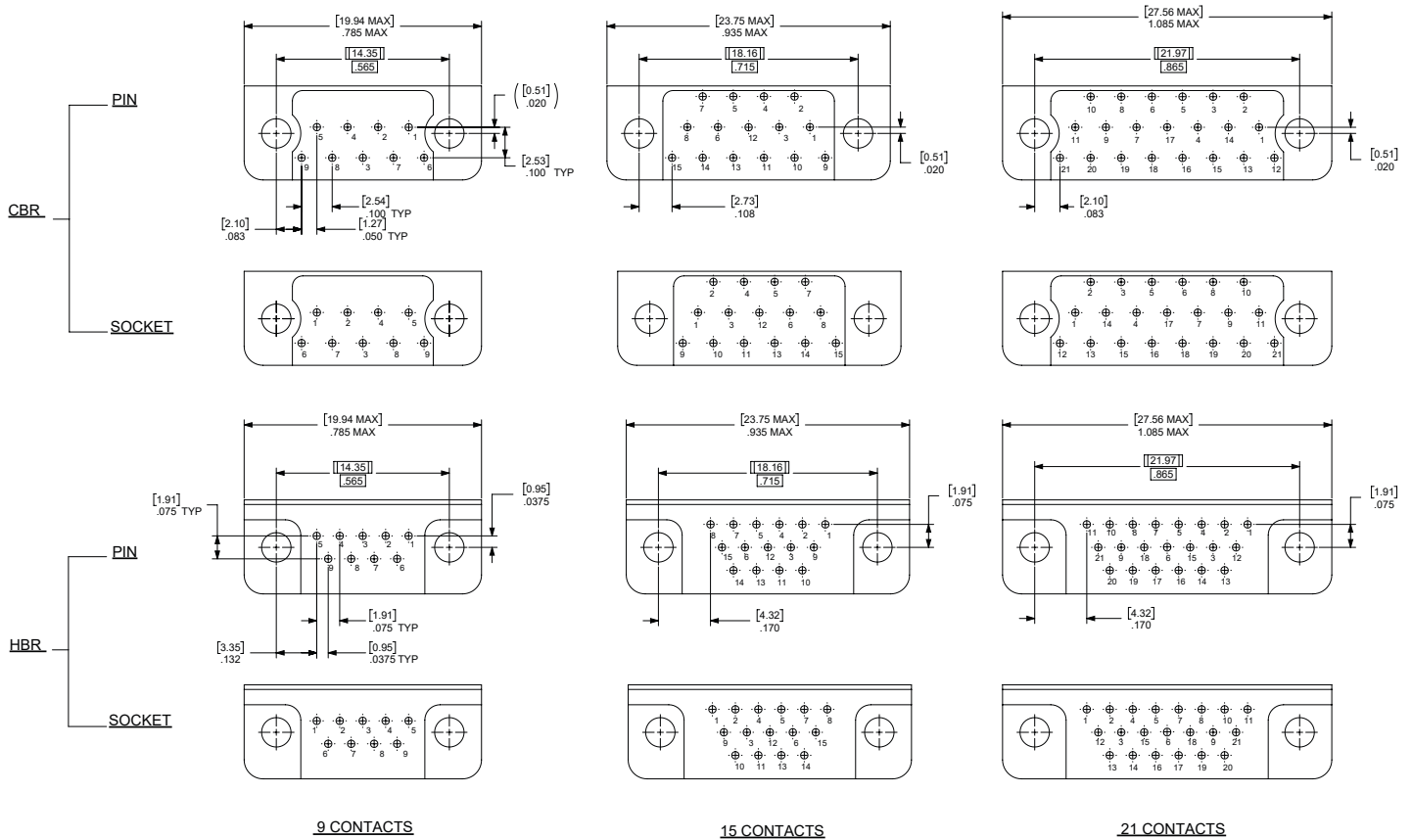
SERIES 100, 102, & 104

CBR | HBR TERMINATION TYPE RIGHT ANGLE (90 DEG) NARROW PROFILE PC CONFIGURATIONS

.100 (2.54) X .100 (2.54) GRID PATTERN, OFFSET .050 (1.27)

.075 (1.91) X .075 (1.91) GRID PATTERN, OFFSET .0375 (.95)

MICRO-D



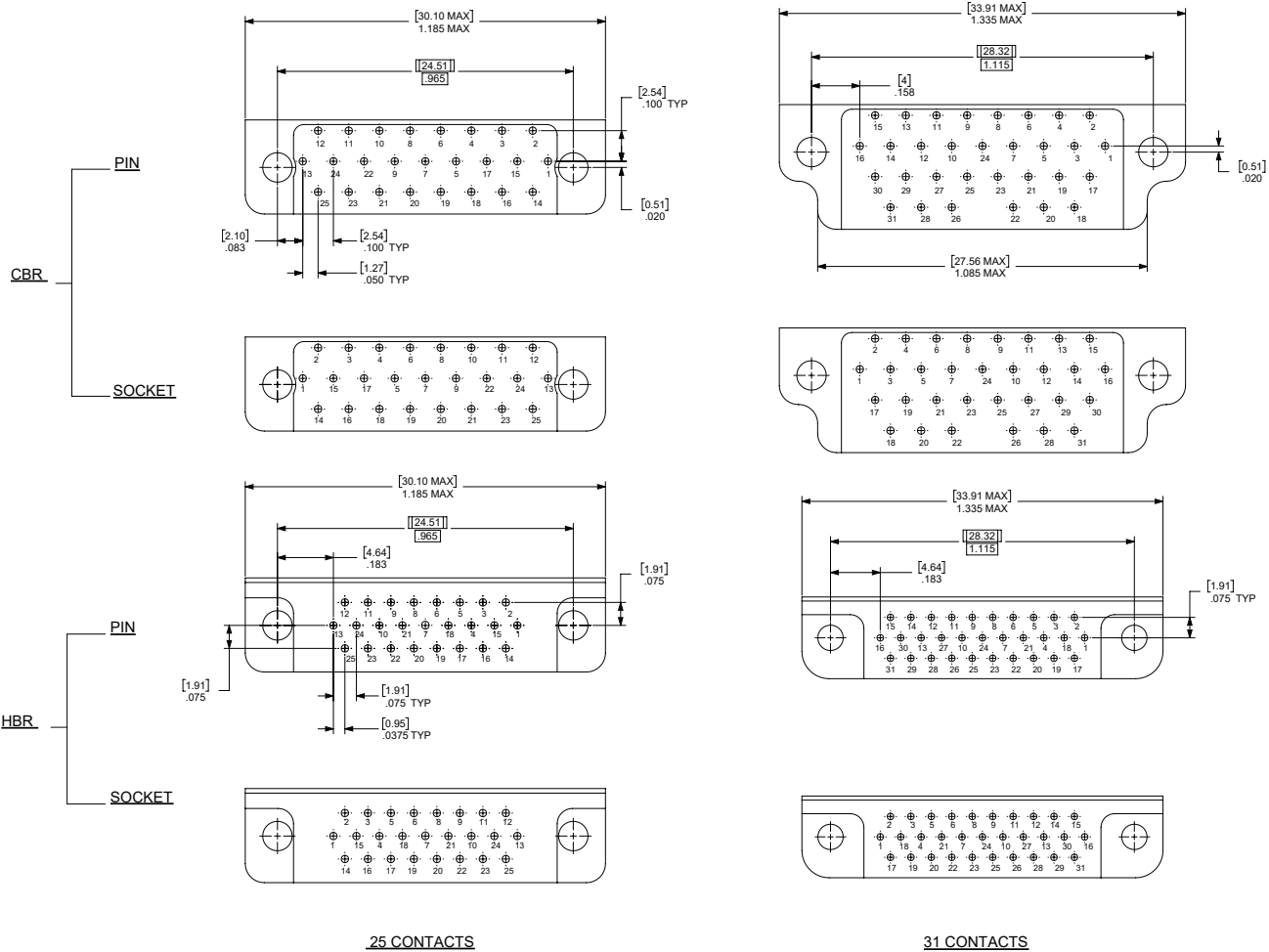
Note: HBR not included for Series 101

Cavity identification numbers are for reference only and does not appear on the connector.

**CBR | HBR TERMINATION TYPE
 RIGHT ANGLE (90 DEG) NARROW PROFILE PC CONFIGURATIONS**

.100 (2.54) X .100 (2.54) GRID PATTERN, OFFSET .050 (1.27)

.075 (1.91) X .075 (1.91) GRID PATTERN, OFFSET .0375 (.95)



Note: HBR not included for Series 101

Cavity identification numbers are for reference only and does not appear on the connector.

MICRO-D PCB CONNECTORS

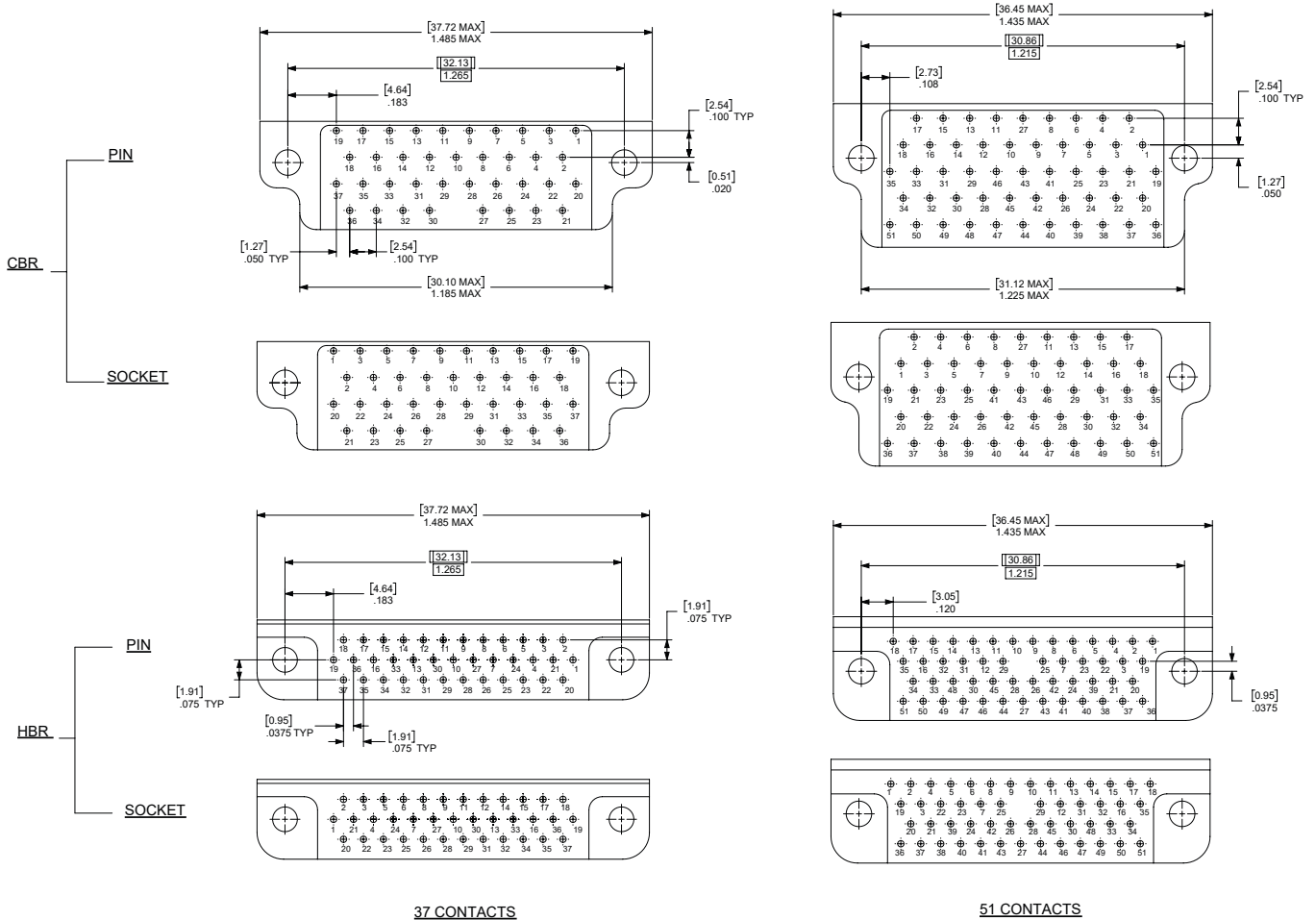
SERIES 100, 102, & 104

CBR | HBR TERMINATION TYPE RIGHT ANGLE (90 DEG) NARROW PROFILE PC CONFIGURATIONS

.100 (2.54) X .100 (2.54) GRID PATTERN, OFFSET .050 (1.27)

.075 (1.91) X .075 (1.91) GRID PATTERN, OFFSET .0375 (.95)

MICRO-D



Note: HBR not included for Series 101

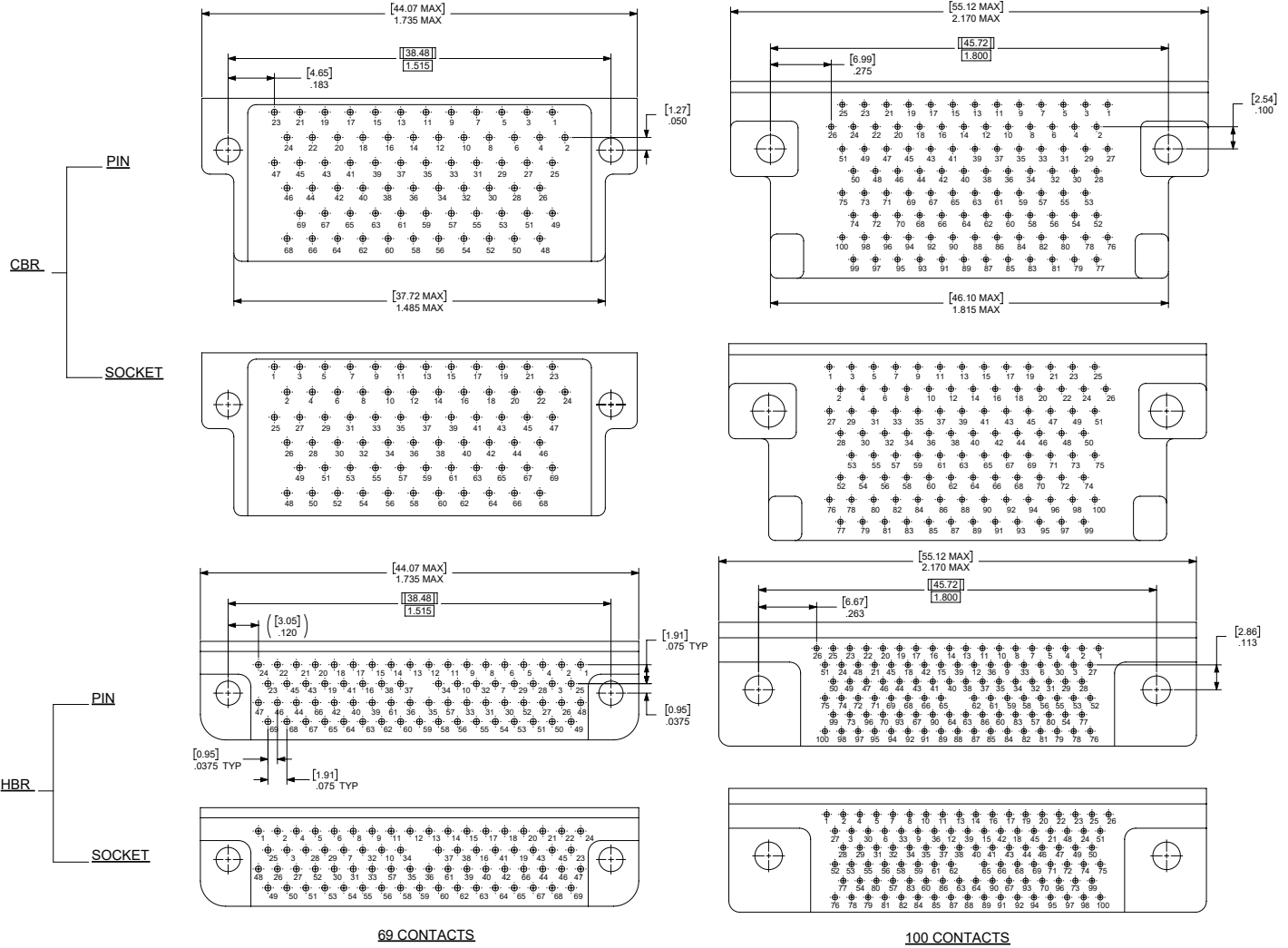
Cavity identification numbers are for reference only and does not appear on the connector.

CBR | HBR TERMINATION TYPE

RIGHT ANGLE (90 DEG) NARROW PROFILE PC CONFIGURATIONS

.100 (2.54) X .100 (2.54) GRID PATTERN, OFFSET .050 (1.27)

.075 (1.91) X .075 (1.91) GRID PATTERN, OFFSET .0375 (.95)



Note: HBR not included for Series 101

Cavity identification numbers are for reference only and does not appear on the connector.

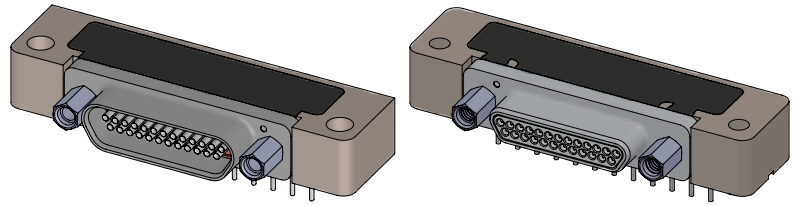
MICRO-D PCB CONNECTORS

SERIES 100, 102, & 104

QUALIFIED TO M83513/16 THRU /21

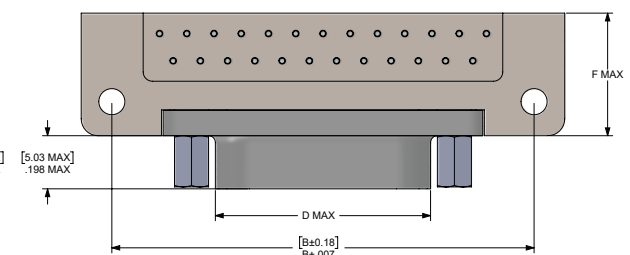
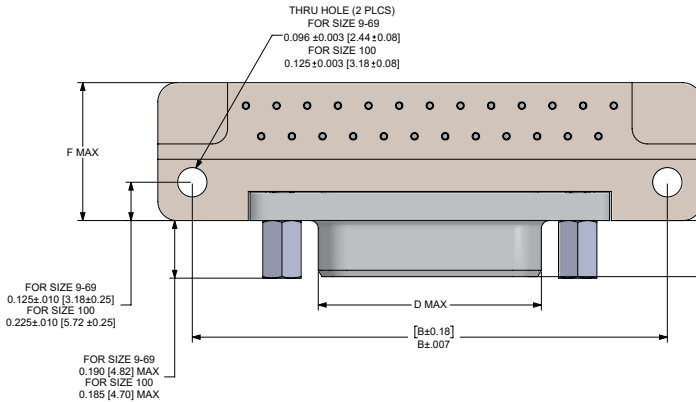
BR Termination

BOARD RIGHT ANGLE CONNECTOR

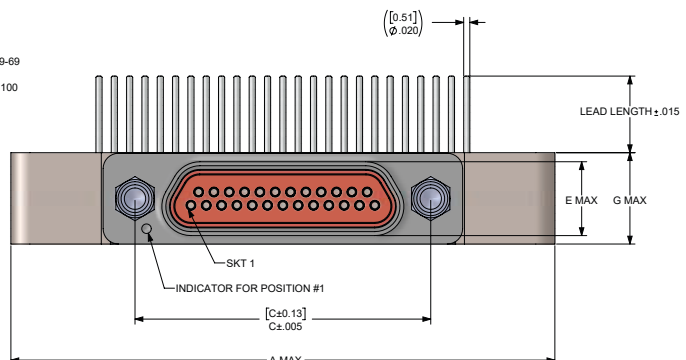
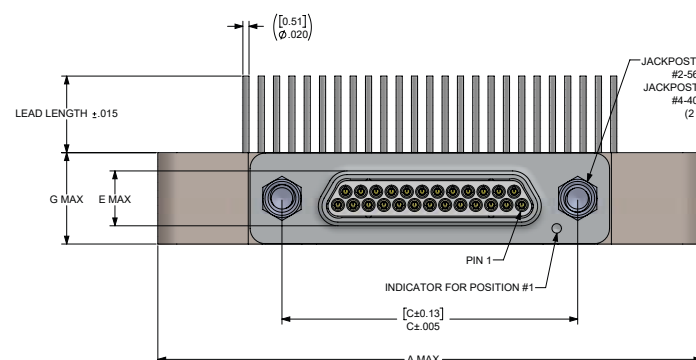


PLUG

RECEPTACLE



MICRO-D



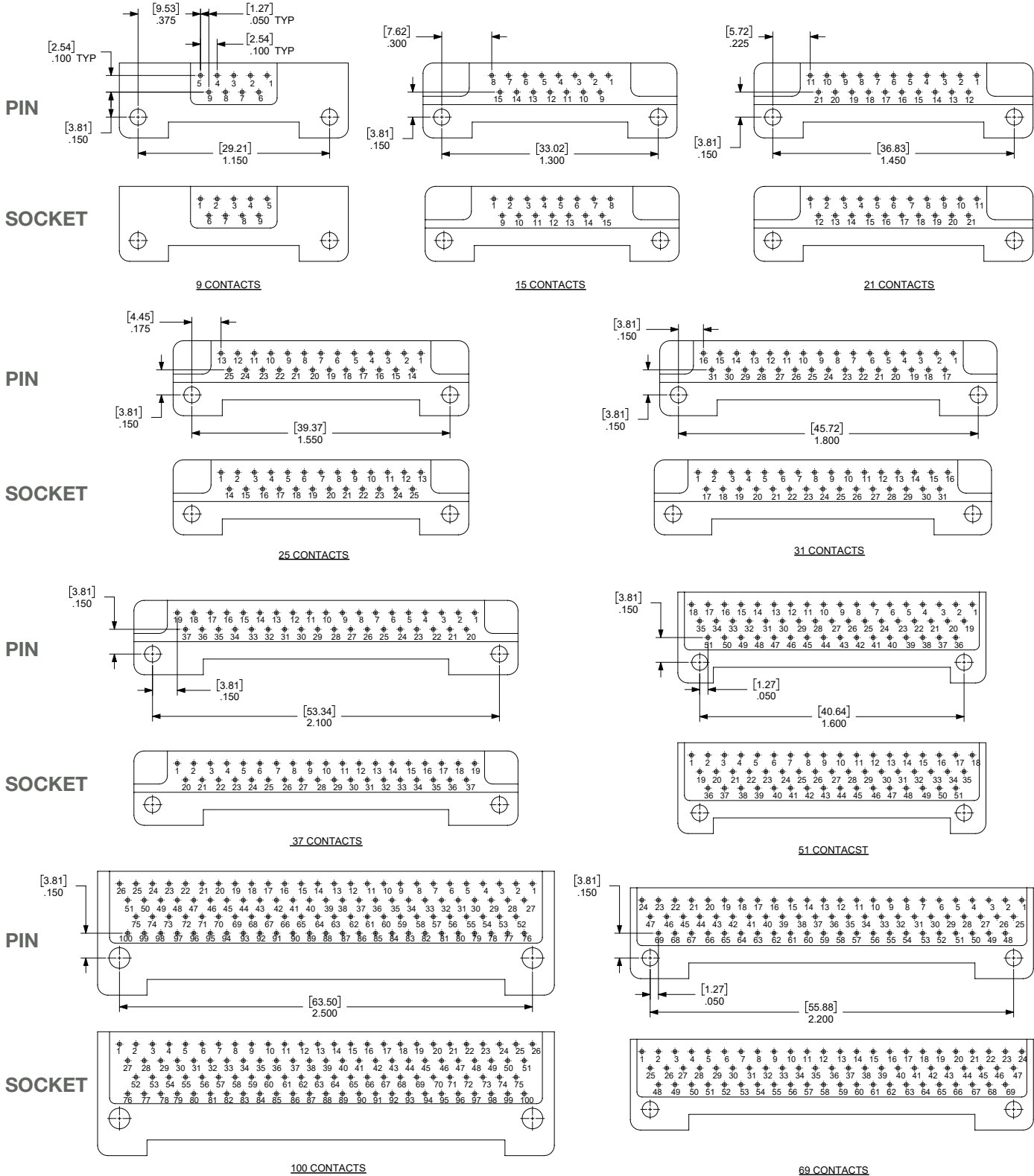
Dimensions are in inch (mm)

SIZE	A MAX	B ±.007 (0.18)	C ±.005 (0.13)	D MAX		E MAX		F MAX	G MAX
				PLUG	RCPT	PLUG	RCPT		
09	1.390 (35.31)	1.150 (29.21)	.565 (14.35)	.334 (8.48)	.402 (10.21)				
15	1.540 (39.12)	1.300 (33.02)	.715 (18.16)	.484 (12.29)	.552 (14.02)				
21	1.690 (42.93)	1.450 (36.83)	.865 (21.97)	.634 (16.10)	.702 (17.83)	.185 (4.70)	.253 (6.43)	.455 (11.56)	.308 (7.82)
25	1.790 (45.47)	1.550 (39.37)	.965 (24.51)	.734 (18.64)	.802 (20.37)				
31	2.040 (51.82)	1.800 (45.72)	1.115 (28.32)	.884 (22.45)	.952 (24.18)				
37	2.340 (59.44)	2.100 (53.34)	1.265 (32.13)	1.034 (26.26)	1.102 (27.99)				
51	1.875 (47.63)	1.600 (40.64)	1.215 (30.86)	.984 (24.99)	1.052 (26.72)	.228 (5.79)	.296 (7.52)	.565 (14.35)	.351 (8.92)
69	2.500 (63.50)	2.200 (55.88)	1.515 (34.48)	1.289 (32.74)	1.357 (34.47)				
100	2.780 (70.61)	2.500 (63.50)	1.800 (45.72)	1.384 (35.15)	1.452 (36.88)				

Note: In receptacle, interfacial seal not included for plastic shell

BR TERMINATION TYPE RIGHT ANGLE (90 DEG) PC CONFIGURATIONS

.100 (2.54) X .100 (2.54) GRID PATTERN, OFFSET .050 (1.27)



Cavity identification numbers are for reference only and does not appear on the connector.

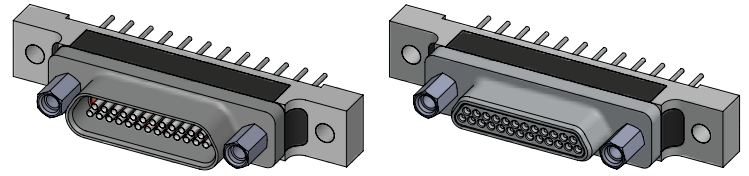
MICRO-D PCB CONNECTORS

SERIES 100, 102, & 104

QUALIFIED TO M83513/22 THRU /27

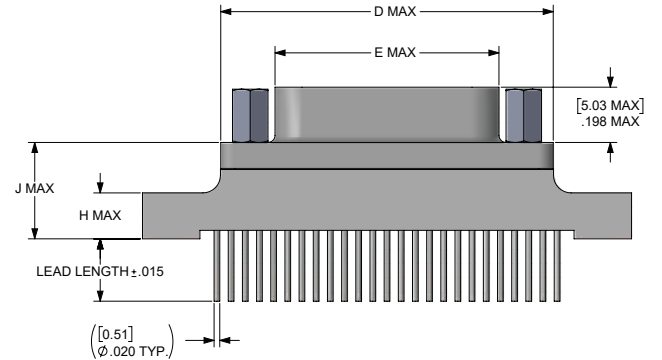
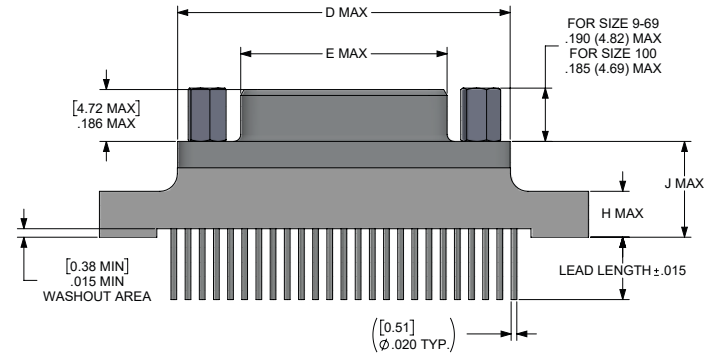
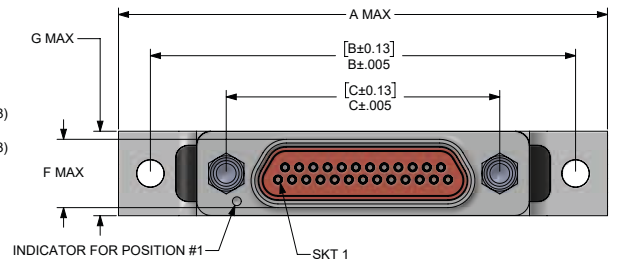
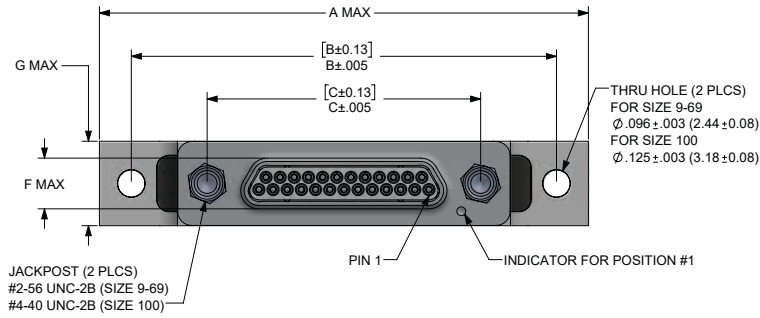
BS Termination

BOARD STRAIGHT CONNECTOR



PLUG

RECEPTACLE



MICRO-D

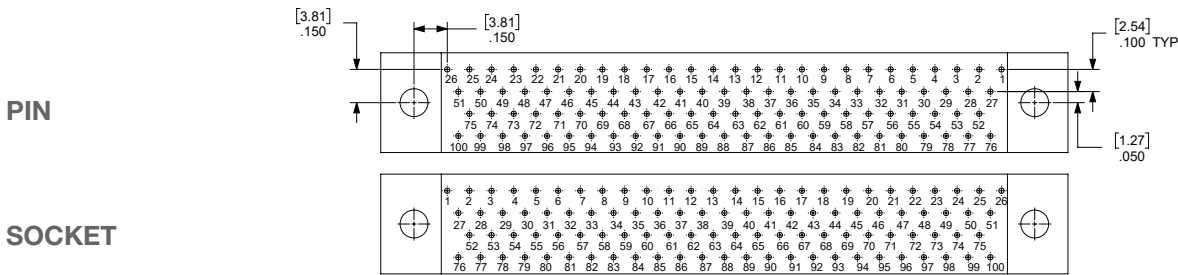
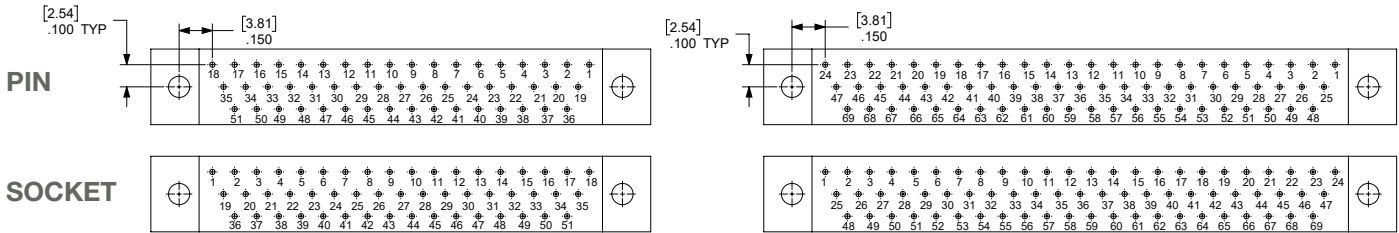
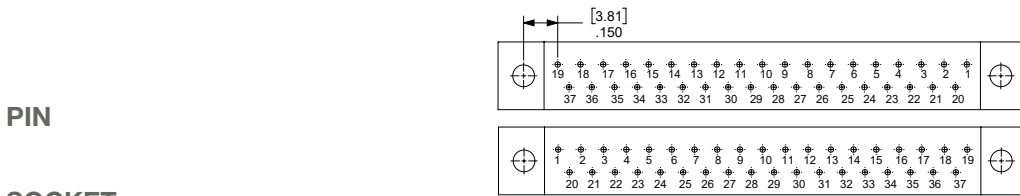
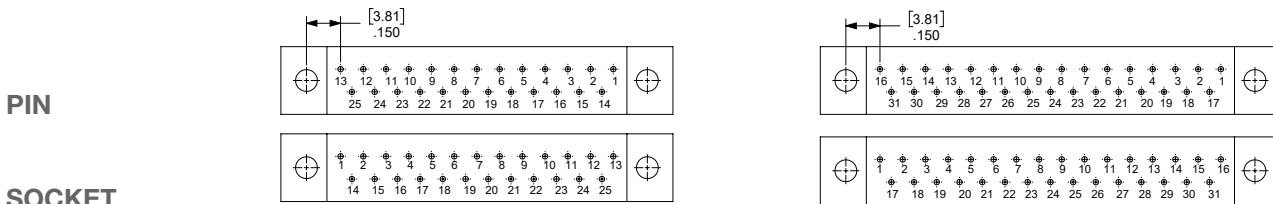
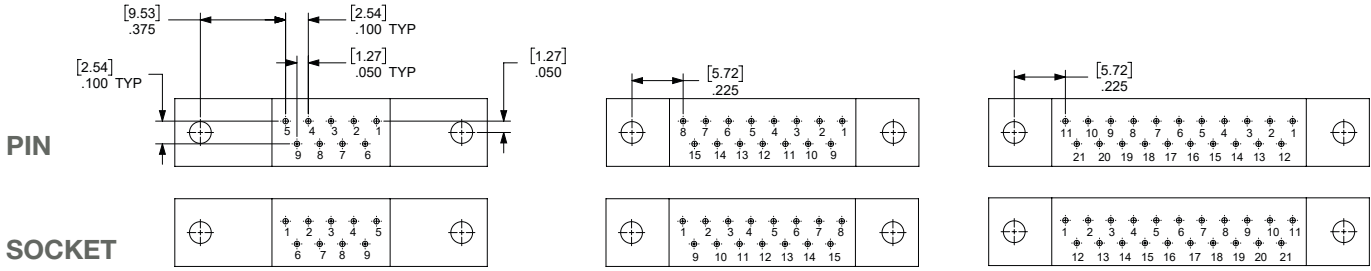
Dimensions are in inch(mm)

SIZE	A MAX	B ±.005 (0.13)	C ±.005 (0.13)	D MAX	E MAX		F MAX		G MAX	H MAX	J MAX
					PLUG	RCPT	PLUG	RCPT			
09	1.390 (35.31)	1.150 (29.21)	.565 (14.35)	.785 (19.94)	.334 (8.48)	.402 (10.21)					
15	1.390 (35.31)	1.150 (29.21)	.715 (18.16)	.935 (23.75)	.484 (12.29)	.552 (14.02)					
21	1.690 (42.93)	1.450 (36.83)	.865 (21.97)	1.085 (27.56)	.634 (16.10)	.702 (17.83)	.185 (4.70)	.253 (6.43)	.308 (7.82)	.165 (4.19)	.355 (9.02)
25	1.740 (44.20)	1.500 (38.10)	.965 (24.51)	1.185 (30.10)	.734 (18.64)	.802 (20.37)					
31	2.040 (51.82)	1.800 (45.72)	1.115 (28.32)	1.335 (33.91)	.884 (22.45)	.952 (24.18)					
37	2.340 (59.44)	2.100 (53.34)	1.265 (32.13)	1.485 (37.72)	1.034 (26.26)	1.102 (27.99)					
51	2.270 (57.66)	2.000 (50.80)	1.215 (30.86)	1.435 (36.45)	.984 (24.99)	1.052 (26.72)	.228 (5.79)	.296 (7.52)	.351 (8.92)		
69	2.870 (72.90)	2.600 (66.04)	1.515 (38.48)	1.735 (44.07)	1.289 (32.74)	1.357 (34.47)					
100	3.25 (82.55)	2.800 (71.12)	1.800 (45.72)	2.170 (55.12)	1.384 (35.13)	1.452 (36.88)	.271 (6.88)	.333 (8.46)	.460 (11.68)	.303 (7.70)	.550 (13.97)

Note: In receptacle, interfacial seal not included for plastic shell

**BS TERMINATION TYPE
STRAIGHT PC CONFIGURATIONS (REAR VIEW)**

.100 (2.54) X .100 (2.54) GRID PATTERN, OFFSET .050 (1.27)



Cavity identification numbers are for reference only and does not appear on the connector.

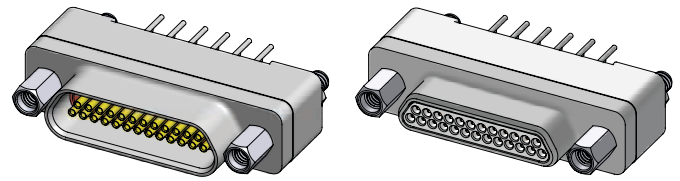
MICRO-D PCB CONNECTORS

SERIES 100, 102, & 104

QUALIFIED TO M83513/28 THRU /33

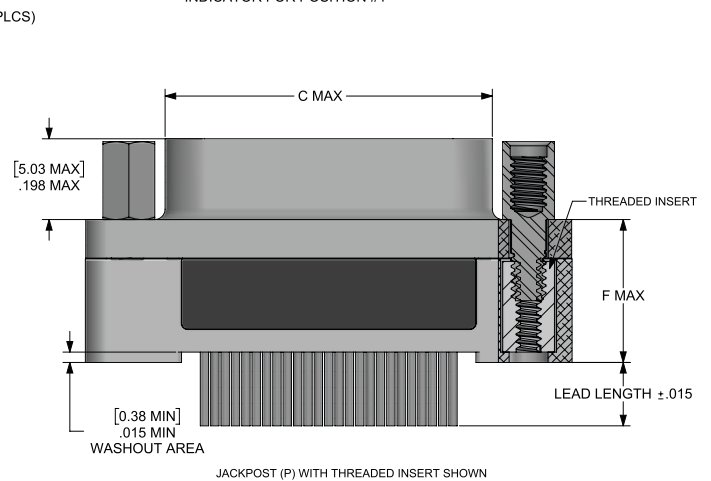
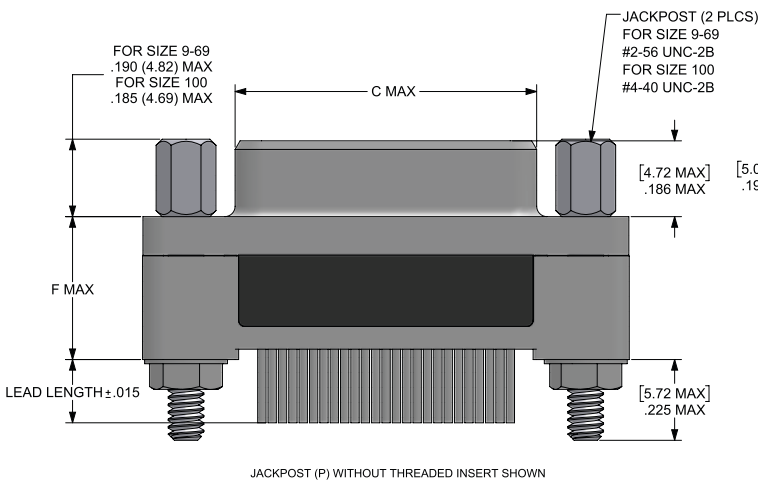
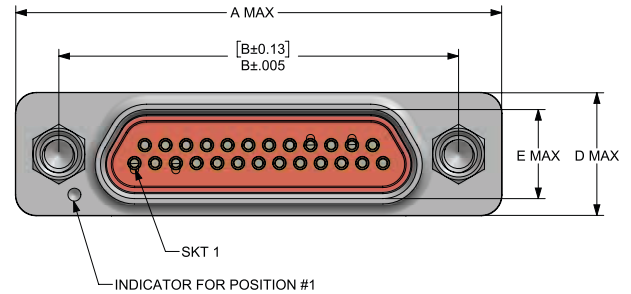
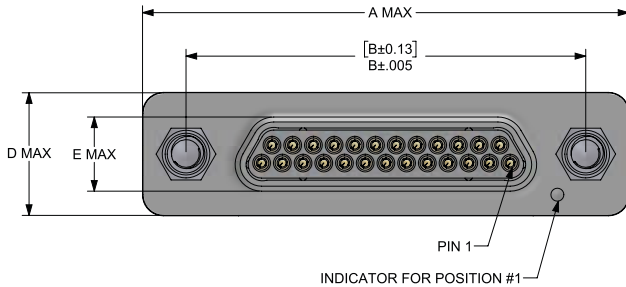
C6/H6 Termination

BOARD STRAIGHT CONNECTOR



PLUG

RECEPTACLE



MICRO-D

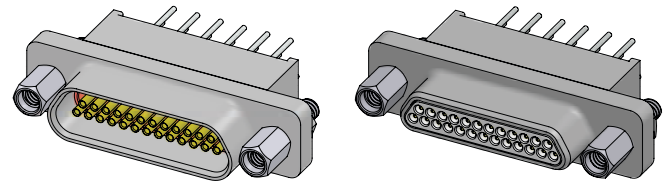
Dimensions are in inch(mm)

SIZE	A MAX	B ±.005 (0.13)	C MAX		D MAX		E MAX		F MAX
			PLUG	RCPT	C6	H6	PLUG	RCPT	
09	.785 (19.94)	.565 (14.35)	.334 (8.48)	.400 (10.16)	.310 (7.87)	.310 (7.87)	.185 (4.70)	.251 (6.38)	.355 (9.02)
15	.935 (23.75)	.715 (18.16)	.484 (12.29)	.550 (13.97)					
21	1.085 (27.56)	.865 (21.97)	.634 (16.10)	.700 (17.78)					
25	1.185 (30.10)	.965 (24.51)	.734 (18.64)	.800 (20.32)					
31	1.335 (33.91)	1.115 (28.32)	.884 (22.45)	.950 (24.13)					
37	1.485 (37.72)	1.265 (32.13)	1.034 (26.26)	1.100 (27.94)	.400 (10.16)	.351 (8.92)	.228 (5.79)	.296 (7.52)	
51	1.435 (36.45)	1.215 (30.86)	.984 (24.99)	1.050 (26.67)					
69	1.735 (44.07)	1.515 (38.48)	1.289 (32.74)	1.355 (34.42)					
100	2.170 (55.12)	1.800 (45.72)	1.384 (35.13)	1.451 (36.86)	.510 (12.95)	.470 (11.94)	.271 (6.88)	.333 (8.46)	.430 (10.92)

Note: In receptacle, interfacial seal not included for plastic shell

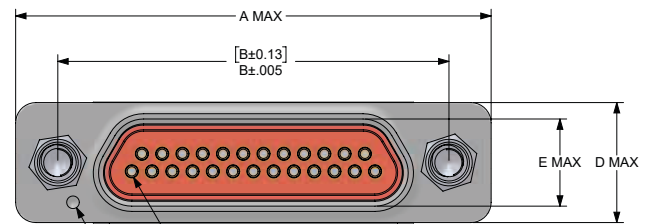
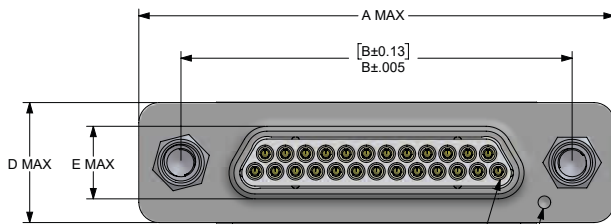
C16/H16 Termination

BOARD STRAIGHT CONNECTOR



PLUG

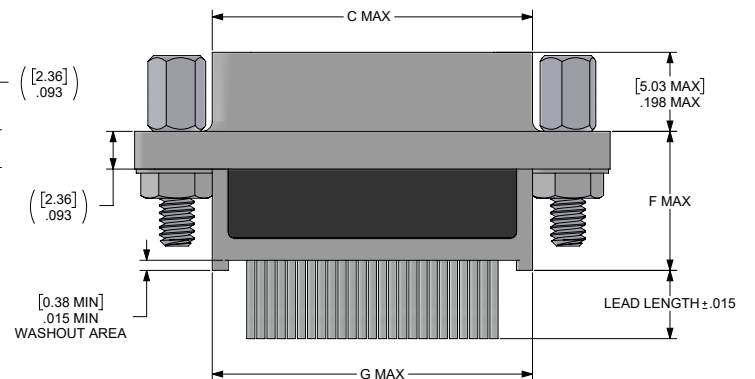
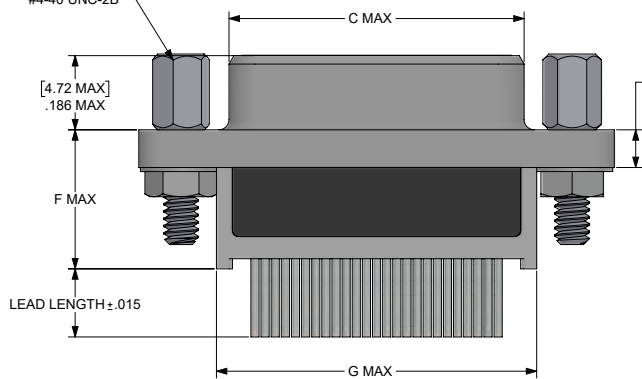
RECEPTACLE



JACKPOST (2 PLCS)
FOR SIZE 9-69
#2-56 UNC-2B
FOR SIZE 100
#4-40 UNC-2B

INDICATOR FOR POSITION #1

SKT 1
INDICATOR FOR POSITION #1



Dimensions are in inch(mm)

SIZE	A MAX	B ±.005 (0.13)	C MAX		D MAX		E MAX		F MAX	G MAX
			PLUG	RCPT	C16	H16	PLUG	RCPT		
09	.785 (19.94)	.565 (14.35)	.334 (8.48)	.400 (10.16)	.310 (7.87)	.310 (7.87)	.185 (4.70)	.251 (6.38)	.355 (9.02)	.395 (10.03)
15	.935 (23.75)	.715 (18.16)	.484 (12.29)	.550 (13.97)						.545 (13.84)
21	1.085 (27.56)	.865 (21.97)	.634 (16.10)	.700 (17.78)						.695 (17.65)
25	1.185 (30.10)	.965 (24.51)	.734 (18.64)	.800 (20.32)						.795 (20.19)
31	1.335 (33.91)	1.115 (28.32)	.884 (22.45)	.950 (24.13)						.945 (24.00)
37	1.485 (37.72)	1.265 (32.13)	1.034 (26.26)	1.100 (27.94)						1.095 (27.81)
51	1.435 (36.45)	1.215 (30.86)	.984 (24.99)	1.050 (26.67)						1.050 (26.67)
69	1.735 (44.07)	1.515 (38.48)	1.289 (32.74)	1.355 (34.42)	.351 (8.92)	.351 (8.92)	.228 (5.79)	.296 (7.52)	1.350 (34.29)	
100	2.170 (55.12)	1.800 (45.72)	1.384 (35.15)	1.451 (36.86)	.470 (11.94)	.470 (11.94)	.271 (6.88)	.333 (8.46)	.430 (10.92)	1.450 (36.83)

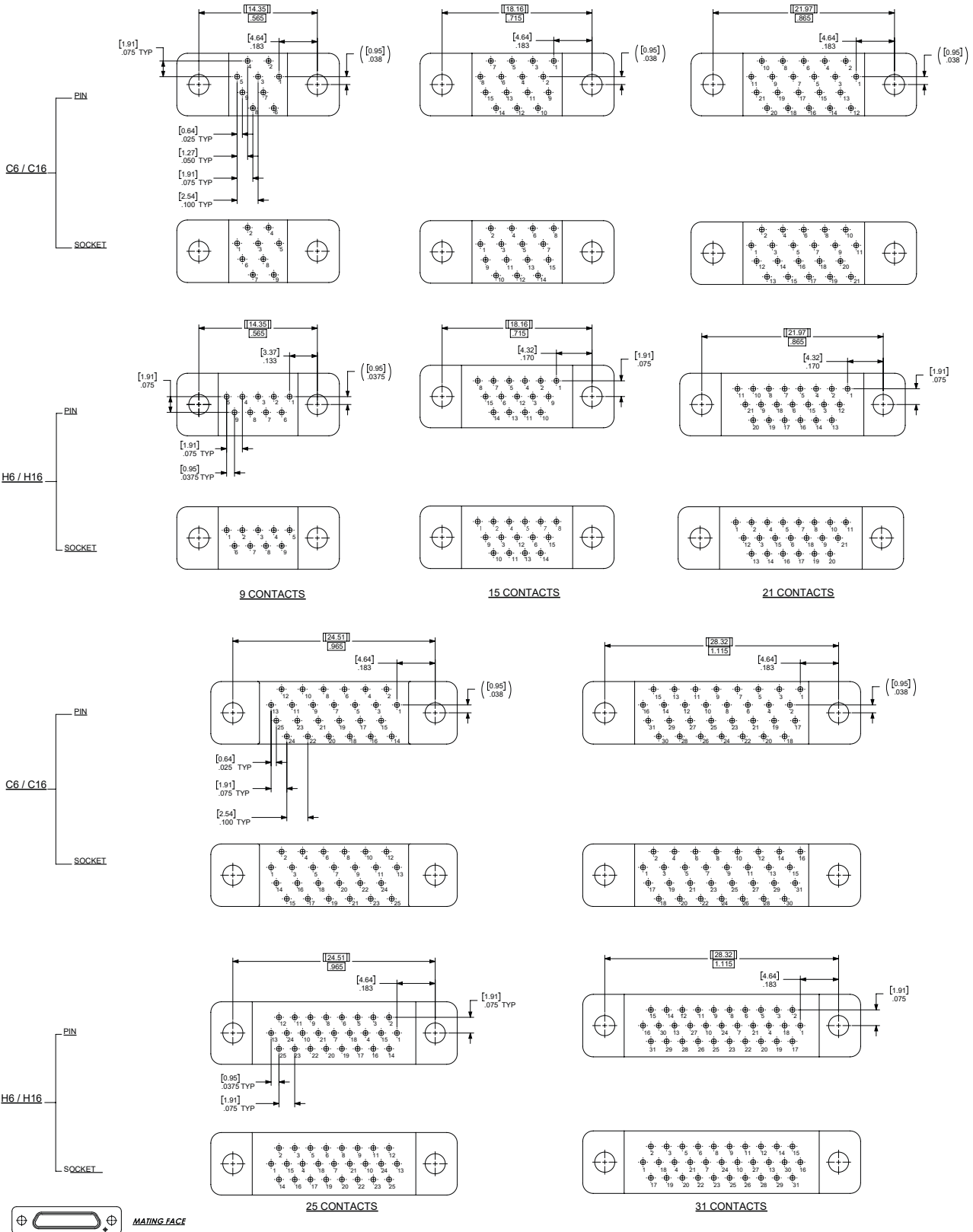
Note: In receptacle, interfacial seal not included for plastic shell

MICRO-D PCB CONNECTORS

SERIES 100, 102, & 104

C6 C16 | H6 H16 TERMINATION TYPE VERTICAL MOUNT REAR VIEW

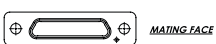
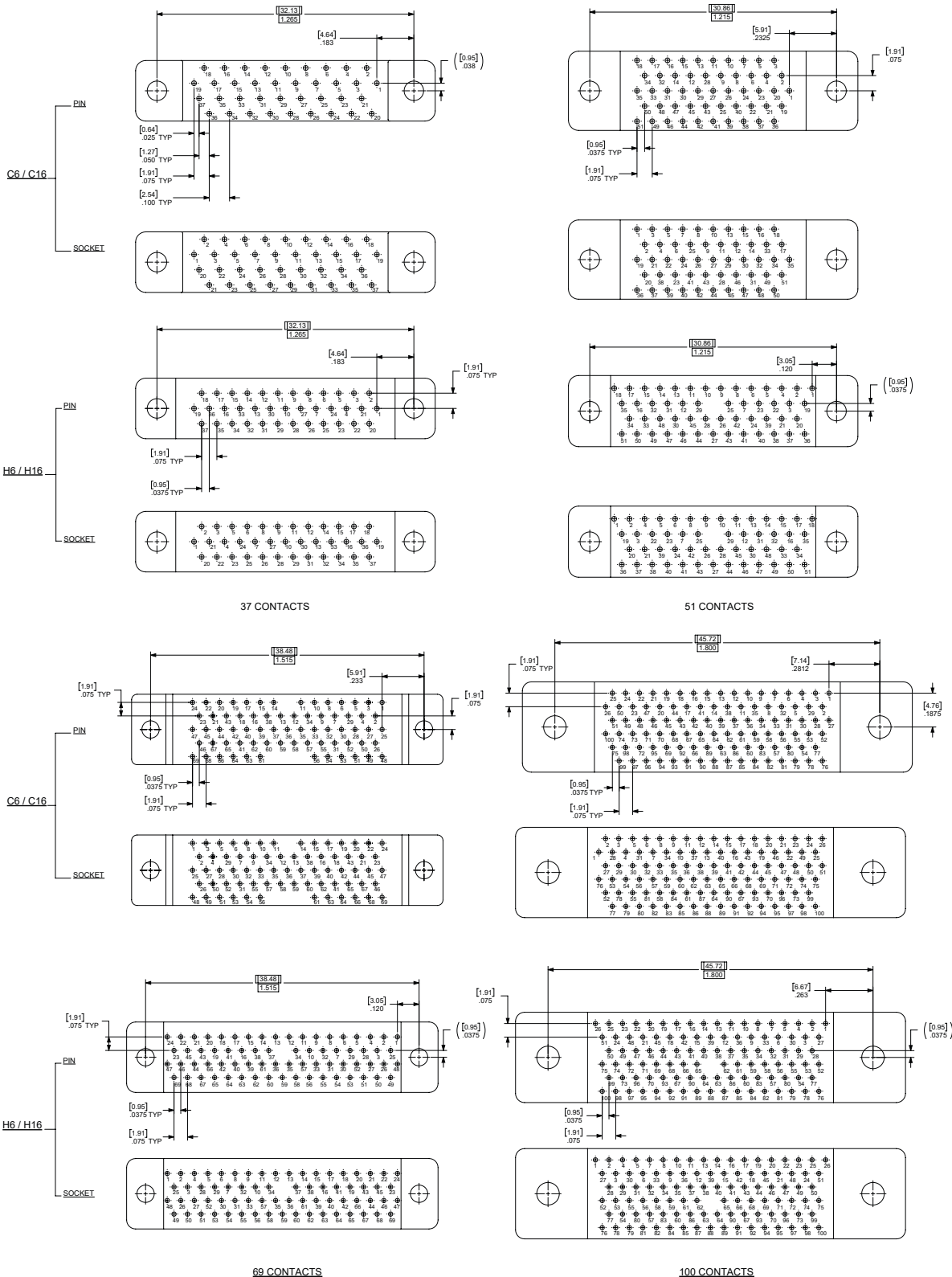
MICRO-D



Note: H6 not included for Series 101.

Cavity identification numbers are for reference only and does not appear on the connector.

C6 C16 | H6 H16 TERMINATION TYPE VERTICAL MOUNT REAR VIEW



Note: H6 not included for Series 101.
Cavity identification numbers are for reference only and does not appear on the connector.

MICRO-D PCB CONNECTORS

SERIES 110

How To Order:

FEATURES

- Polarization is reversed from a standard series 100 CBR type connector.
- Only available in metal shell
- Solid copper 24 AWG PCB leads, tin plated, and solder dipped.

1.	2.	3.	4.	5.	6.	7.	8.	9.	10.	11.
RoHS Compliance	Connector Series	Insulated/Sealing	Shell Finish	Connector Size	Connector Type	Termination Type	Hardware	Threaded Insert	Lead Length (inches)	Non Standard Length
	110	R	N	25	P-	CBR	P	T	F-	125

MICRO-D

1. RoHS Compliance

E	RoHS Compliant
	Blank for Non-RoHS

2. Connector Series

110	Reversed CBR Type Metal Shell per M8513
------------	---

3. Insulated/Sealing

R	Polyphenylene Sulfide (Ryton)
----------	-------------------------------

8. Hardware (Pre-Installed)

H	Thread Mounting Hole #2-56 (Size 9-69), #4-40 (Size 100)
D	Metric Threaded Mounting Hole M2 (Size 9-69), M3 (Size 100)
P	Jackpost

4. Shell Finish

A	Anodize (Black)
B	Zinc Nickel (Black Chromate)
C	Cadmium (Yellow Chromate)
D	Olive Drab Cadmium
F	Chem Film
G	Gold
K	Zinc Nickel- 48 hrs
L	Pure Electro-Deposited Aluminum
N	Electroless Nickel
T	Nickel Teflon

5. Connector Size (Number of Contacts)

09
15
21
25
31
37
51
69
100

All sizes I.A.W. M83513 except size 69 (non-military)

6. Connector Type

P-	Plug (Pin)
S-	Receptacle (Socket)
G-	Plug with Ground Spring

7. Termination Type

CBR	Narrow Right Angle PCB (Dimensionally same as M83513/10 thru /15)
------------	---

PA	Hex Head Rear Panel Mount Jackpost for .027" - .037" [.68mm - .94mm] Panel Thickness
PB	Hex Head RPM for .042" - .052"[1.06mm - 1.32mm] Panel Thickness
PC	Hex Head RPM for .057" - .067" [1.45mm - 1.70mm] Panel Thickness
PD	Hex Head RPM for .088" - .098" [2.24mm - 2.49mm] Panel Thickness
PE	Hex Head RPM for .075"-.085" [1.91mm - 2.16mm] Panel Thickness
PF	Hex Head RPM for .120"-.130" [3.05mm - 3.30mm] Panel Thickness
PG	Hex Head RPM for .067"-.077" [1.70mm - 1.96mm] Panel Thickness
SA	Slot Head Rear Panel Mount Jackpost for .027" - .037" [.68mm - .94mm] Panel Thickness
SB	Slot Head RPM for .042" - .052"[1.06mm - 1.32mm] Panel Thickness
SC	Slot Head RPM for .057" - .067" [1.45mm - 1.70mm] Panel Thickness
SD	Slot Head RPM for .088" - .098" [2.24mm - 2.49mm] Panel Thickness
SE	Slot Head RPM for .075"-.085" [1.91mm - 2.16mm] Panel Thickness
SF	Slot Head RPM for .120"-.130" [3.05mm - 3.30mm] Panel Thickness
SG	Slot Head RPM for .067"-.077" [1.70mm - 1.96mm] Panel Thickness

9. Threaded Insert (Pre-Installed PCB Mounting Options)

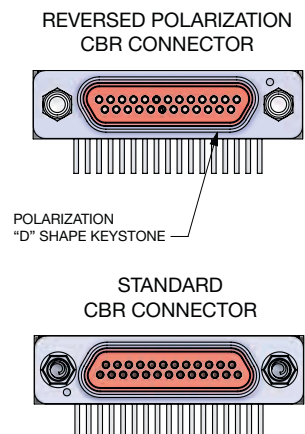
T	#2-56 Threaded Insert (Size 9-69)
U	#4-40 Threaded Insert (Size 100 Only)
V	M2 Threaded Insert (Size 9-69)
Z	M3 Threaded Insert (Size 100 Only)
	Blank for no threaded insert

10. Lead Length (inches)

1-	.109 ± .015
2-	.140 ± .015
3-	.172 ± .015
4-	.250 ± .015
F-	Non Standard Length
GOLD	
5-	.109 ± .015
6-	.140 ± .015
7-	.172 ± .015
8-	.250 ± .015
G-	Non Standard Length

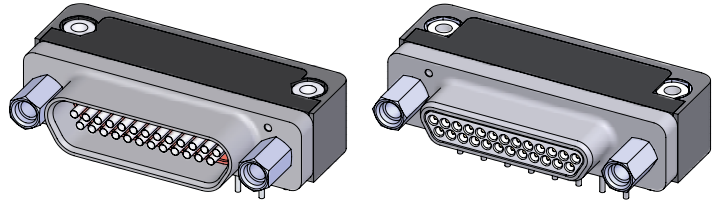
11. Non Standard Length

(0.109 < length < 1.00)
e.g. 125 = .125 inches



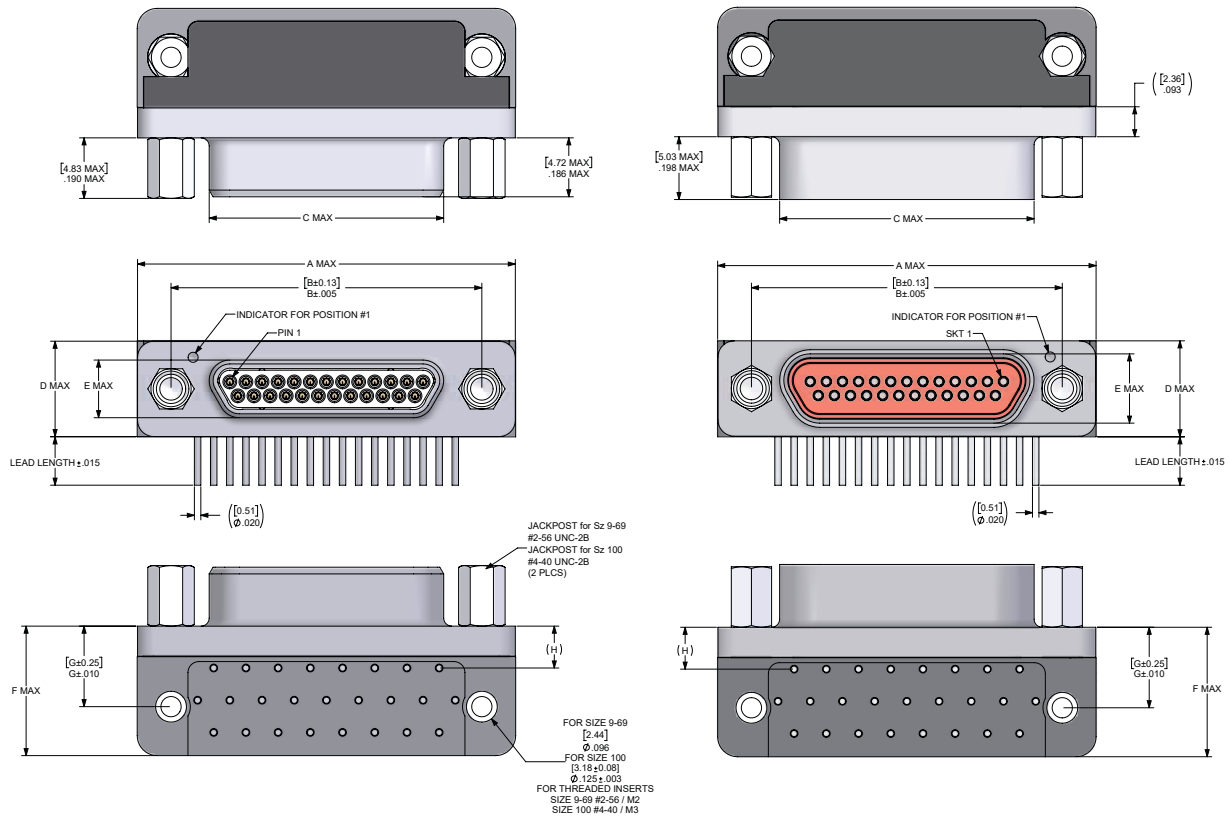
CBR Termination

REVERSED POLARIZATION



PLUG

RECEPTACLE



Dimensions are in inch(mm)

SIZE	A MAX	B ±.005 (0.13)	C MAX		D MAX	E MAX		F MAX	G ±.010 (0.25)	H ±.010 (0.25)
			PLUG	RCPT		PLUG	RCPT			
09	.785 (19.94)	.565 (14.35)	.334 (8.48)	.402 (10.21)	.308 (7.82)	.185 (4.70)	.253 (6.43)	.420 (10.67)	.250 (6.35)	.230 (5.84)
15	.935 (23.75)	.715 (18.16)	.484 (12.29)	.552 (14.02)						
21	1.085 (27.56)	.865 (21.97)	.634 (16.10)	.702 (17.83)						
25	1.185 (30.10)	.965 (24.51)	.734 (18.64)	.802 (20.37)						
31	1.335 (33.91)	1.115 (28.32)	.884 (22.45)	.952 (24.18)	.351 (8.92)	.228 (5.79)	.296 (7.52)	.300 (7.62)	.150 (3.81)	
37	1.485 (37.72)	1.265 (32.13)	1.034 (26.22)	1.102 (27.99)						
51	1.435 (36.45)	1.215 (30.86)	.984 (24.99)	1.052 (26.72)						
69	1.735 (44.07)	1.515 (38.48)	1.289 (32.74)	1.357 (34.47)	.394 (10.01)	.271 (6.88)	.394 (10.01)	.755 (19.18)	.400 (10.16)	.200 (5.08)
100	2.170 (55.12)	1.800 (45.72)	1.384 (35.15)	1.452 (36.88)						

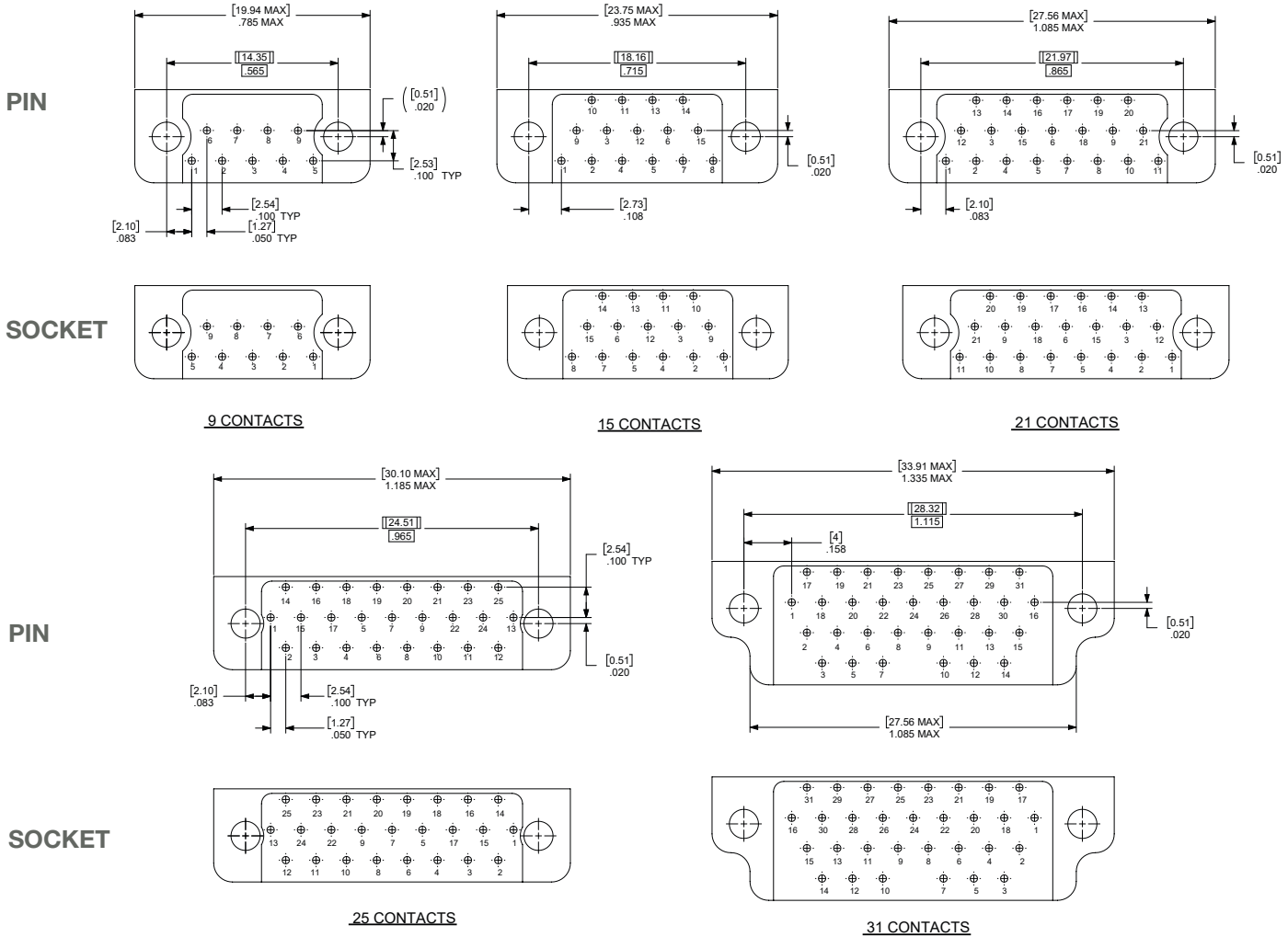
MICRO-D PCB CONNECTORS

SERIES 110

REVERSED CBR TERMINATION TYPE RIGHT ANGLE (90 DEG) NARROW PROFILE CONFIGURATION

.100 (2.54) X .100 (2.54) GRID PATTERN, OFFSET .050 (1.27)

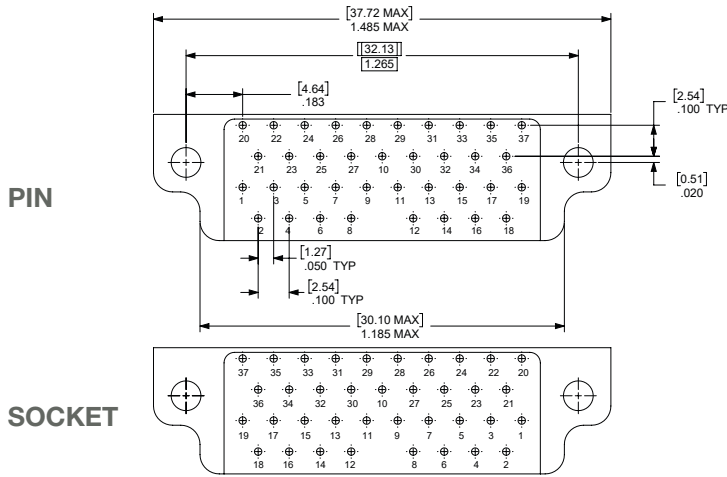
MICRO-D



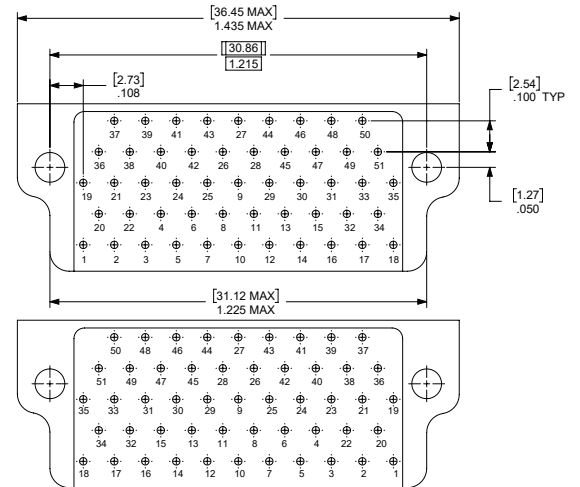
Cavity identification numbers are for reference only and does not appear on the connector.

**REVERSED CBR TERMINATION TYPE
RIGHT ANGLE (90 DEG) NARROW PROFILE CONFIGURATION**

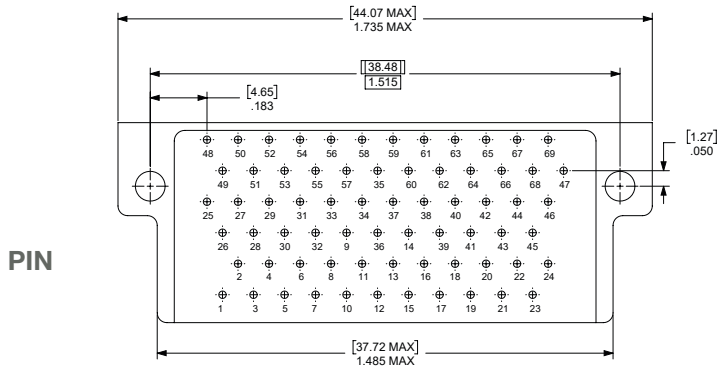
.100 (2.54) X .100 (2.54) GRID PATTERN, OFFSET .050 (1.27)



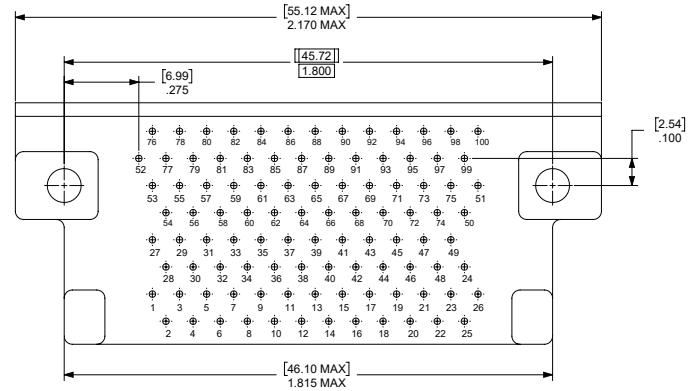
37 CONTACTS



51 CONTACTS



69 CONTACTS



100 CONTACTS

Cavity identification numbers are for reference only and does not appear on the connector.

MICRO-D LOW PROFILE CONNECTORS

SERIES 108

How to Order

FEATURES

- Reduced flange height in comparison with standard 100 Series connectors
- Metal shells to provide RFI/EMI shielding
- Pre-wired and fully potted
- Ideal for tight spaces
- Intermateable with 101R and 108R only

1.	2.	3.	4.	5.	6.	7.	8.	9.	10.	11.	12.
RoHS Compliance	Connector Series	Insulated Sealing Type	Shell Finish	Connector Size	Connector Type	Wire Size (AWG)	Wire Type	Wire Color/Finish	Wire Length	Hardware (Pre-Installed)	Non Standard Length
	108	R	N	15	P-	3	E	6	F	M2-	20

1. RoHS Compliance

E	RoHS Compliant
	Blank for Non-RoHS

2. Connector Series

108	Low Profile Metal Shell
------------	-------------------------

3. Insulator Material

R	Polyphenylene Sulfide (Ryton)
----------	-------------------------------

4. Shell Finish

A	Anodize (Black)
B	Zinc Nickel (Black Chromate)
C	Cadmium (Yellow Chromate)
D	Olive Drab Cadmium
F	Chem Film
N	Electroless Nickel
G	Gold
K	Zinc Nickel- 48 hrs
L	Pure Electro-Deposited Aluminum
T	Nickel Teflon

5. Connector Size (Number of Contacts)

09
15
21
25
31
37
51

6. Connector Type

P-	Plug (Pin)
S-	Receptacle (Socket)
G-	Plug (Pin) with Ground Spring

7. Wire Size (AWG)

	Omit for Solder Cup
1	32
2	30
3	28
4	26 (M835351 STD)
5	25 (Solid Wire Only)
6	24
7	Special 24 AWG Solder Cup (Omit Steps 8-10)

8. Wire Type

	Omit for Solder Cup
GENERAL APPLICATIONS:	
A	7 Strd. per NEMA-HP3 (MIL-W-16878/4)
B	7 Strd. per NEMA-HP3 (Formerly MIL-W-16878/6)
C	19 Strd. per NEMA-HP3 (Formerly MIL-W-16878/4)
D	19 Strd. per NEMA-HP3 (Formerly MIL-W-16878/6)
MILITARY/AEROSPACE:	
E	Per Mil-W-22759/11 (M83513 STD)
F	Per Mil-W-22759/33 (Space Grade)
L	Solid Wire Uninsulated
G	04035-26A

9. Wire Color/Finish

	Omit for Solder Cup
1	All White (M83513-STD) *Off Shelf
2	All Yellow
3	Solid Wire Uninsulated, Tin Plated
4	Solid Wire Uninsulated, Gold plated
5	Color Coded per Mil-STD-68 System I
6	1st 10 Color Black thru White Repeated (M83513 Standard) *Off Shelf
7	1st 15 Colors Black thru White/Yellow Repeated (size 21+ only)
8	Twisted Pairs, White/Blue
9	Twisted Pairs, White/blue, Marked

10. Wire Length (inches)

	Omit for Solder Cup
A	18.00 (+1.00/-0.00)
B	36.00 (+1.00/-0.00)
C	72.00(+1.00/-0.00)
D	.500 (Solid Wire Only +0.20/-0.00)
E	1.00 (Solid Wire Only +0.20/-0.00)
F	Non-Standard Length

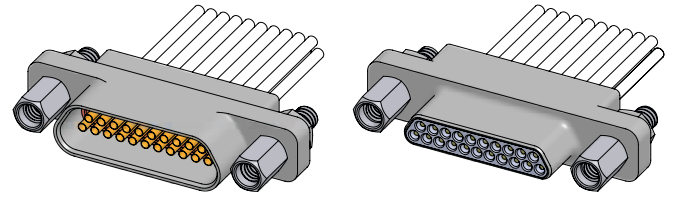
12. Non Standard Length

(0.109 < length < 1.00)
e.g. 125 = .125 inches

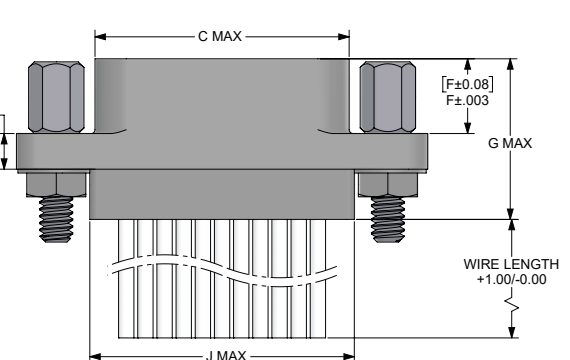
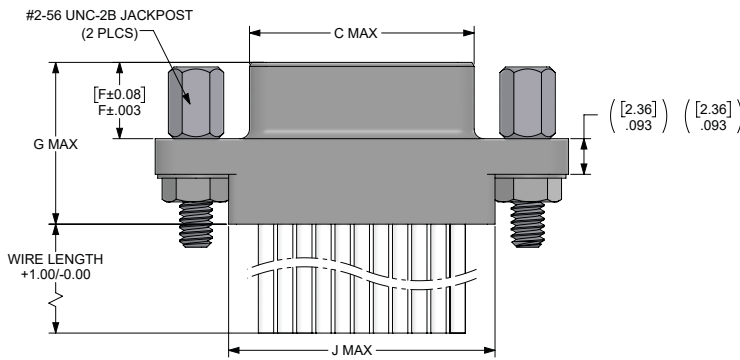
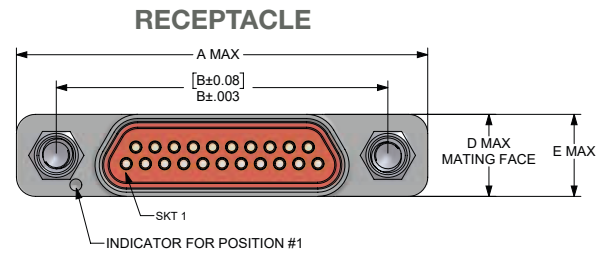
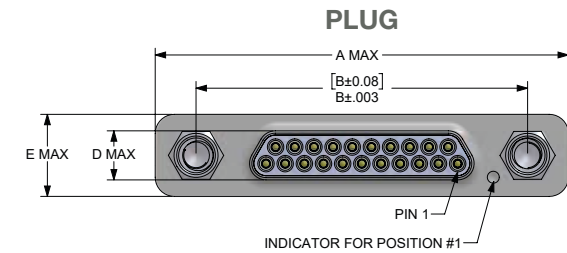
11. Hardware (Pre-Installed)

B-	Standard Mounting Holes
H-	Threaded Mounting Holes, #2-56
D-	Metric Threaded Mounting Hole, M2
P-	Jackpost
M2-	Low Profile Jackscrew, Allen Head
M3-	High Profile Jackscrew, Allen Head
M5-	Low Profile Jackscrew, Slot Head
M6-	High Profile Jackscrew, Slot Head
L-	Captive Low Profile Jackscrew
K-	Captive High Profile Jackscrew
F-	Forward Float Mount
R-	Reverse Float Mount

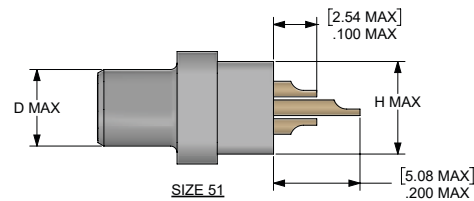
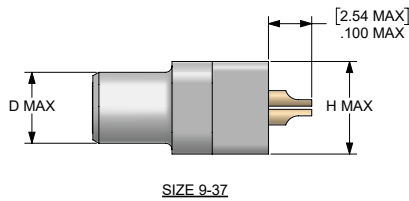
MICRO-D



WIRE TERMINATION



SOLDER CUP TERMINATION (PLUG/RECEPTACLE)



Dimensions are in inch(mm)

SIZE	A MAX	B ±.003 (0.76)	C MAX		D MAX		E MAX	F ±.003 (0.076)		G MAX		H MAX	J MAX
			PLUG	RCPT	PLUG	RCPT		PLUG	RCPT	PLUG	RCPT		
09	.788 (20.02)	.565 (14.35)	.292 (7.42)	.380 (9.65)									.405 (10.29)
15	.938 (23.83)	.715 (18.16)	.442 (11.23)	.530 (13.46)									.555 (14.10)
21	1.088 (27.64)	.865 (21.97)	.592 (15.04)	.680 (17.27)									.705 (17.91)
25	1.188 (30.18)	.965 (24.51)	.692 (17.58)	.780 (19.81)	.134 (3.40)	.218 (5.54)	.218 (5.54)	.199 (5.05)	.180 (4.57)	.390 (9.91)	.377 (9.58)	.175 (4.45)	.805 (20.45)
31	1.338 (33.99)	1.115 (28.32)	.842 (21.39)	.930 (23.62)									.955 (24.26)
37	1.488 (37.80)	1.265 (32.13)	.992 (25.20)	1.080 (27.43)									1.105 (28.07)
51	1.438 (36.53)	1.215 (30.86)	.942 (23.93)	1.030 (26.16)	.177 (4.50)	.260 (6.60)	.260 (6.60)					.220 (5.59)	1.058 (26.87)

MICRO-D LOW PROFILE PCB CONNECTORS

SERIES 108

How to Order

FEATURES

- Reduced flange height in comparison with standard 100 Series CBR connectors
- Metal shell
- Solid copper 24 AWG PCB leads tin plated, and solder dipped
- Meets performance requirements of MIL-DTL-83513
- Ideal for tight spaces
- Intermateable with 101R and 108R only

1.	2.	3.	4.	5.	6.	7.	8.	9.	10.	11.
RoHS Compliance	Connector Series	Insulator Sealing Type	Shell Finish	Connector Size	Connector Type	Termination Type	Hardware (Pre-Installed)	Threaded Insert	Lead Length (inches)	Non Standard Length
	108	R	N	25	P-	CBR	P	T	F-	125

MICRO-D

1. RoHS Compliance

E	RoHS Compliant
	Blank for Non-RoHS

5. Connector Size (Number of Contacts)

09
15
21
25
31
37
51

8. Hardware (Pre-Installed)

H	Threaded Mounting Holes, #2-56
D	Metric Threaded Mounting Hole, M2
P	Jackpost
PA	Hex Head Rear Panel Mount Jackpost for .027" - .037" [.68mm - .94mm] Panel Thickness
PB	Hex Head RPM for .042" - .052" [1.06mm - 1.32mm] Panel Thickness
PC	Hex Head RPM for .057" - .067" [1.45mm - 1.70mm] Panel Thickness
PD	Hex Head RPM for .088" - .098" [2.24mm - 2.49mm] Panel Thickness

2. Connector Series

108	Low Profile Metal Shell
------------	-------------------------

6. Connector Type

R-	Receptacle (Socket)
P-	Plug (Pin)
G-	Plug (Pin) w/ EMI Ground Spring

8. Hardware (Pre-Installed)

PE	Hex Head RPM for .075"-.085" [1.91mm -2.16mm] Panel Thickness
PF	Hex Head RPM for .120"-.130" [3.05mm - 3.30mm] Panel Thickness
PG	Hex Head RPM for .067"-.077" [1.70mm - 1.96mm] Panel Thickness
SA	Slot Head Rear Panel Mount Jackpost for .027" - .037" [.68mm - .94mm] Panel Thickness
SB	Slot Head RPM for .042" - .052" [1.06mm - 1.32mm] Panel Thickness
SC	Slot Head RPM for .057" - .067" [1.45mm - 1.70mm] Panel Thickness

3. Insulator/Sealing Type

R	Polyphenylene Sulfide (Ryton)
----------	-------------------------------

7. Termination Type

CBR	Narrow Right Angle
------------	--------------------

8. Hardware (Pre-Installed)

SD	Slot Head RPM for .088" - .098" [2.24mm - 2.49mm] Panel Thickness
SE	Slot Head RPM for .075"-.085" [1.91mm - 2.16mm] Panel Thickness
SF	Slot Head RPM for .120"-.130" [3.05mm - 3.30mm] Panel Thickness
SG	Slot Head RPM for .067"-.077" [1.70mm - 1.96mm] Panel Thickness

9. Threaded Insert (Pre-Installed PCB Mounting Options)

	Omit for no threaded insert
T	#2-56 Threaded Insert
V	M2 Threaded Insert

4. Shell Finish

A	Anodize (Black)
B	Zinc Nickel (Black Chromate)
C	Cadmium (Yellow Chromate)
D	Olive Drab Cadmium
F	Chem Film
G	Gold
K	Zinc Nickel- 48 hrs
L	Pure Electro-Deposited Aluminum
N	Electroless Nickel
T	Nickel Teflon

10. Lead Length (inches)

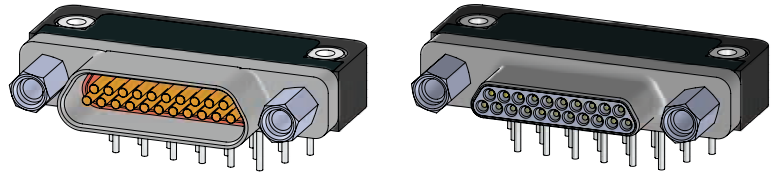
1-	.109 ± .015
2-	.140 ± .015
3-	.172 ± .015
4-	.250 ± .015
F-	Non Standard Length
GOLD	
5-	.109 ± .015
6-	.140 ± .015
7-	.172 ± .015
8-	.250 ± .015
G-	Non Standard Length

11. Non Standard Length

(0.109 < length < 1.00)
e.g. 125 = .125 inches

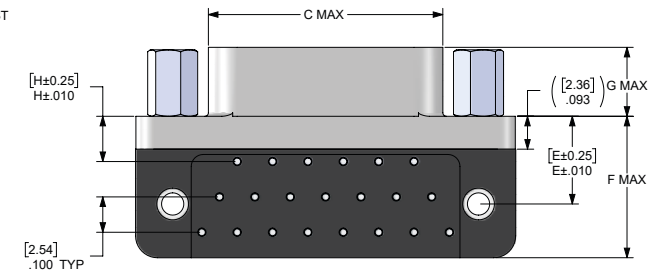
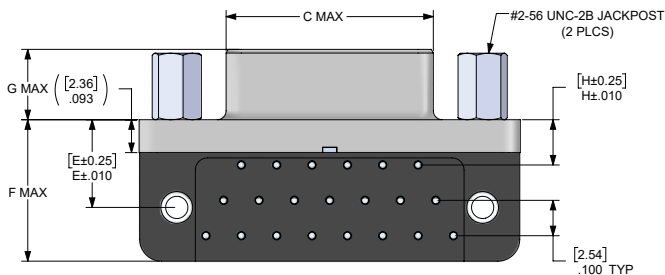
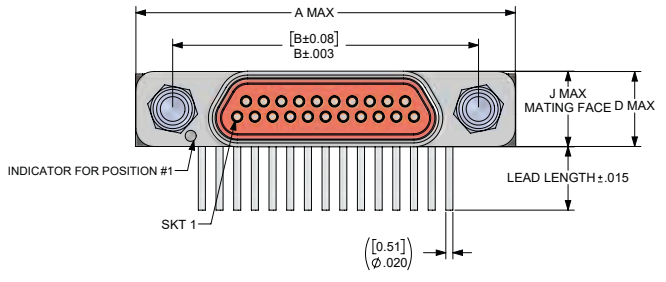
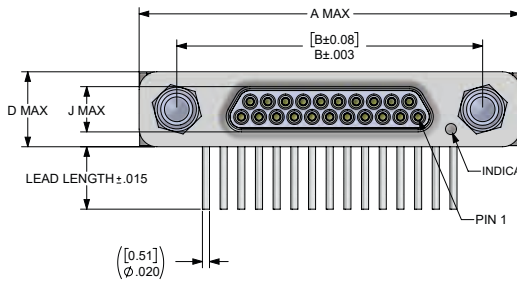
CBR Termination

BOARD RIGHT ANGLE CONNECTOR



PLUG

RECEPTACLE



Dimensions are in inch(mm)

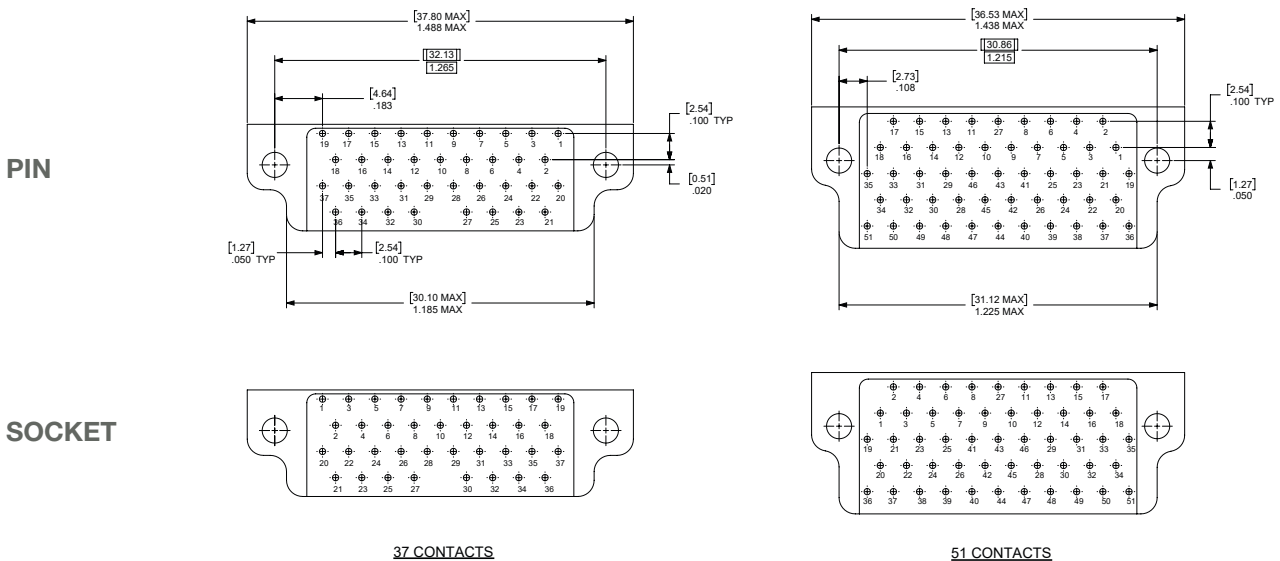
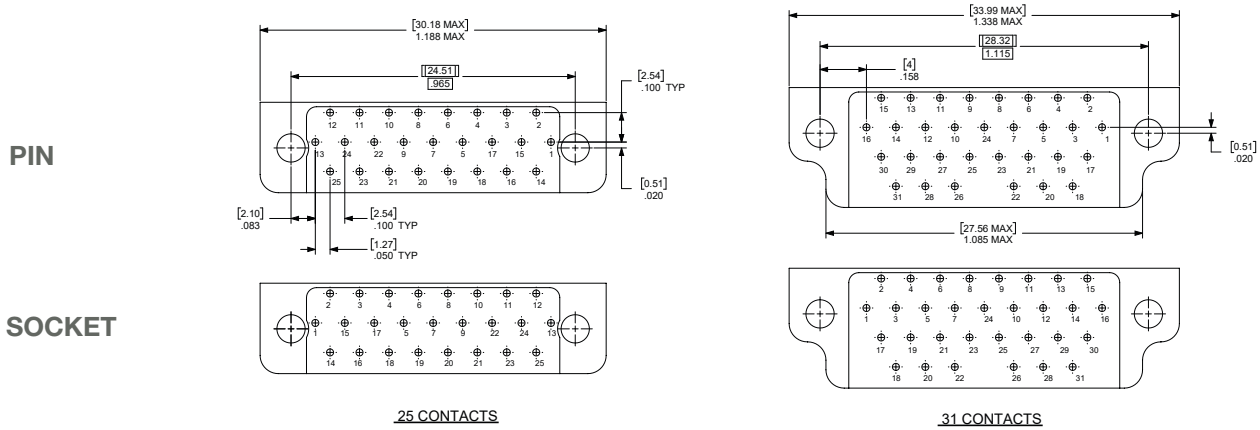
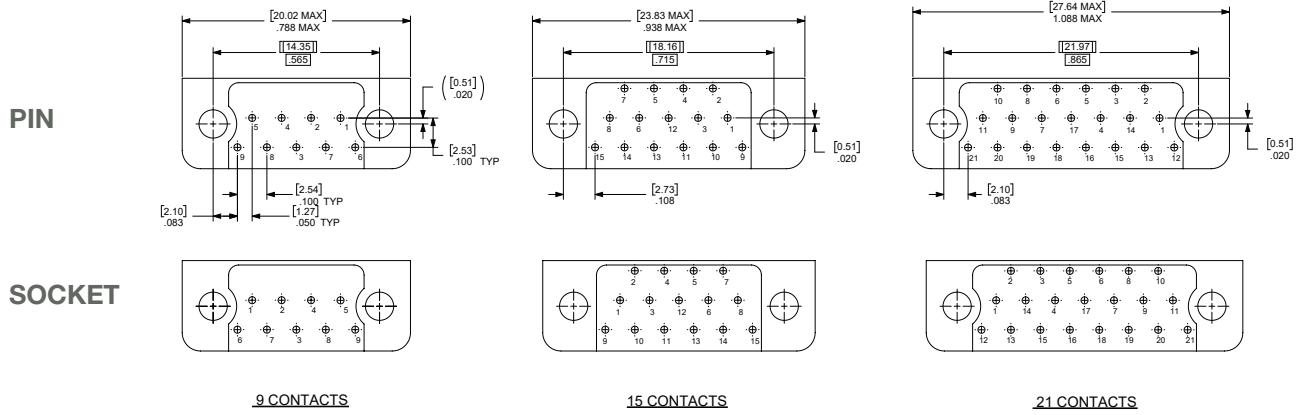
SIZE	A MAX	B ±.003 (0.76)	C MAX		D MAX	E ±.010 (0.25)	F MAX	G MAX		H ±.010 (0.25)	J MAX	
			PLUG	RCPT				PLUG	RCPT		PLUG	RCPT
09	.788 (20.02)	.565 (14.35)	.292 (7.42)	.380 (9.65)	.218 (5.54)	.250 (6.35)	.425 (10.80)	.202 (5.13)	.185 (4.70)	.230 (5.84)	.134 (3.40)	.218 (5.54)
15	.938 (23.83)	.715 (18.16)	.442 (11.23)	.530 (13.46)								
21	1.088 (27.64)	.865 (21.97)	.592 (15.04)	.680 (17.27)								
25	1.188 (30.18)	.965 (24.51)	.692 (17.58)	.780 (19.81)			.525 (13.34)	.202 (5.13)	.185 (4.70)	.130 (3.30)		
31	1.338 (33.99)	1.115 (28.32)	.842 (21.39)	.930 (23.62)								
37	1.488 (37.80)	1.265 (32.13)	.992 (25.20)	1.080 (27.43)								
51	1.438 (36.53)	1.215 (30.86)	.942 (23.93)	1.030 (26.16)	.260 (6.60)	.300 (7.62)	.660 (16.76)		.150 (3.81)	.177 (4.50)	.260 (6.60)	

MICRO-D LOW PROFILE PCB CONNECTORS

SERIES 108

CBR TERMINATION TYPE RIGHT ANGLE (90 DEG) LOW PROFILE PC CONFIGURATION

.100 (2.54) x .100 (2.54) GRID PATTERN, OFFSET .050 (1.27)



Cavity identification numbers are for reference only and does not appear on the connector.

MICRO-D

How to Order

FEATURES

- Polarization is reversed from series 108 CBR type connector.
- Reduced flange height in comparison with standard 100 Series connectors.
- Solid copper 24 AWG PCB leads tin plated, and solder dipped.
- Meets performance requirements of MIL-DTL-83513
- Ideal for tight spaces

1.	2.	3.	4.	5.	6.	7.	8.	9.	10.	11.
RoHS Compliance	Connector Series	Insulated Sealing Type	Shell Finish	Connector Size	Connector Type	Termination Type	Hardware (Pre-Installed)	Threaded Insert	Lead Length (inches)	Non Standard Length
	118	R	N	25	P-	CBR	P	T	F-	125

1. RoHS Compliance

E	RoHS Compliant
	Blank for Non-RoHS

5. Connector Size (Number of Contacts)

09
15
21
25
31
37
51

8. Hardware (Pre-Installed)

H	Threaded Mounting Holes, #2-56
D	Metric Threaded Mounting Hole, M2
P	Jackpost
PA	Hex Head Rear Panel Mount Jackpost for .027" - .037" [.68mm - .94mm] Panel Thickness
PB	Hex Head RPM for .042" - .052" [1.06mm - 1.32mm] Panel Thickness
PC	Hex Head RPM for .057" - .067" [1.45mm - 1.70mm] Panel Thickness
PD	Hex Head RPM for .088" - .098" [2.24mm - 2.49mm] Panel Thickness
PE	Hex Head RPM for .075"-.085" [1.91mm -2.16mm] Panel Thickness
PF	Hex Head RPM for .120"-.130" [3.05mm - 3.30mm] Panel Thickness

2. Connector Series

118	Reversed Low Profile Metal Shell
------------	----------------------------------

6. Connector Type

R-	Receptacle (Socket)
P-	Plug (Pin)
G-	Plug (Pin) w/ EMI Ground Spring

8. Hardware (Pre-Installed)

PG	Hex Head RPM for .067" - .077" [1.70mm - 1.96mm] Panel Thickness
SA	Slot Head Rear Panel Mount Jackpost for .027" - .037" [.68mm - .94mm] Panel Thickness
SB	Slot Head RPM for .042" - .052" [1.06mm - 1.32mm] Panel Thickness
SC	Slot Head RPM for .057" - .067" [1.45mm - 1.70mm] Panel Thickness
SD	Slot Head RPM for .088" - .098" [2.24mm - 2.49mm] Panel Thickness
SE	Slot Head RPM for .075"-.085" [1.91mm - 2.16mm] Panel Thickness
SF	Slot Head RPM for .120"-.130" [3.05mm - 3.30mm] Panel Thickness
SG	Slot Head RPM for .067"-.077" [1.70mm - 1.96mm] Panel Thickness

3. Insulated Sealing Type

R	Polyphenylene Sulfide (Ryton)
----------	-------------------------------

7. Termination Type

CBR	Narrow Right Angle PCB
------------	------------------------

9. Threaded Insert (Pre-Installed PCB Mounting Options)

	Omit for no threaded Insert
T	#2-56 Threaded Insert
V	M2 Threaded Insert

10. Lead Length (inches)

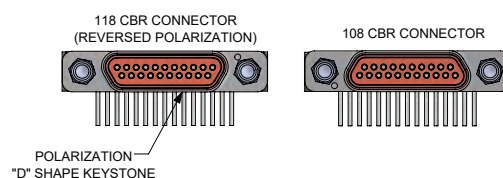
1-	.109 ± .015
2-	.140 ± .015
3-	.172 ± .015
4-	.250 ± .015
F-	Non Standard Length
GOLD	
5-	.109 ± .015
6-	.140 ± .015
7-	.172 ± .015
8-	.250 ± .015
G-	Non Standard Length

4. Shell Finish

A	Anodize (Black)
B	Zinc Nickel (Black Chromate)
C	Cadmium (Yellow Chromate)
D	Olive Drab Cadmium
F	Chem Film
G	Gold
K	Zinc Nickel- 48 hrs
L	Pure Electro-Deposited Aluminum
N	Electroless Nickel
T	Nickel Teflon

11. Non Standard Length

(0.109 < length < 1.00)
e.g. 125 = .125 inches

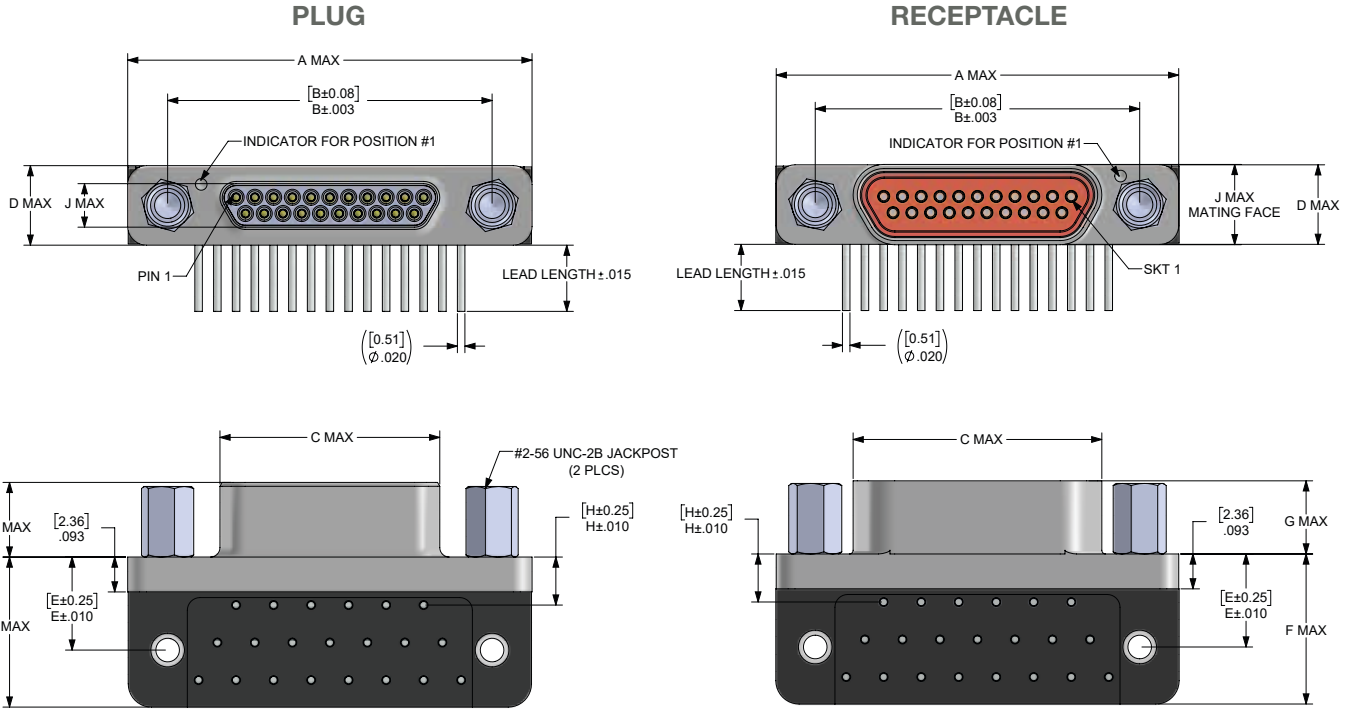
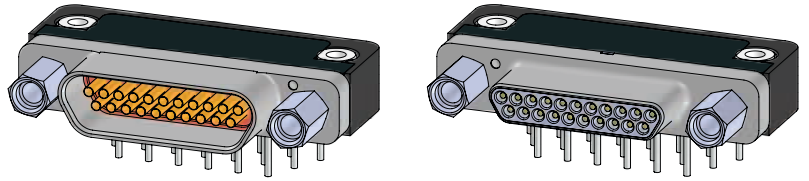


MICRO-D LOW PROFILE PCB CONNECTORS

SERIES 118

CBR Termination

REVERSED POLARIZATION



MICRO-D

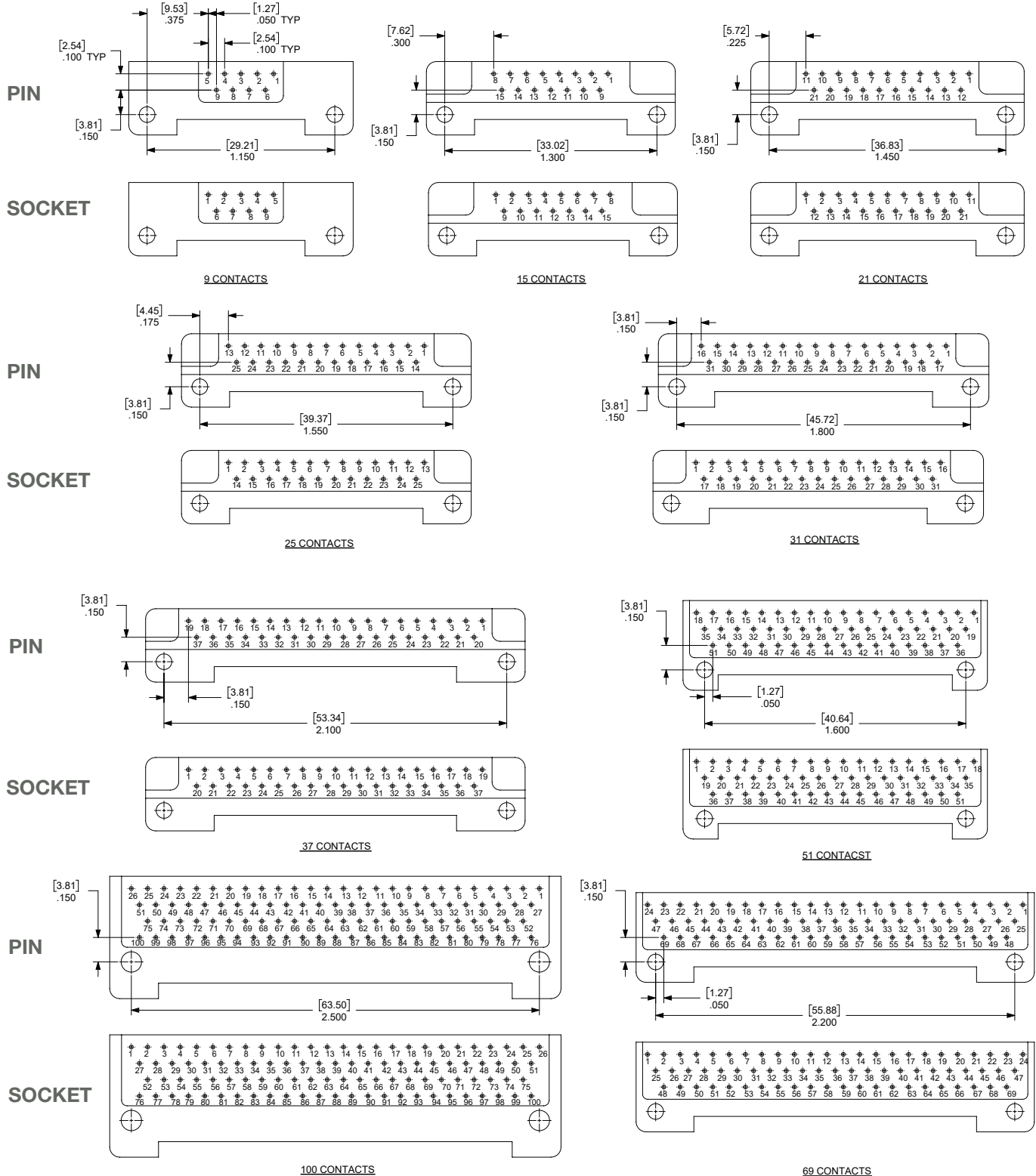
Dimensions are in inch(mm)

SIZE	A MAX	B ±.003 (0.076)	C MAX		D MAX	E MAX	F MAX	G MAX		H MAX	J MAX	
			PLUG	RCPT				PLUG	RCPT		PLUG	RCPT
09	.788 (20.02)	.565 (14.35)	.292 (7.42)	.380 (9.65)	.218 (5.54)	.250 (6.35)	.425 (10.80)	.202 (5.13)	.185 (4.70)	.130 (3.30)	.134 (3.40)	.218 (5.54)
15	.938 (23.82)	.715 (18.16)	.442 (11.23)	.530 (13.46)								
21	1.088 (27.64)	.865 (21.97)	.592 (15.04)	.680 (17.27)								
25	1.188 (30.18)	.965 (24.51)	.692 (17.58)	.780 (19.81)			.525 (13.34)	.202 (5.13)	.185 (4.70)	.130 (3.30)	.134 (3.40)	.218 (5.54)
31	1.338 (33.98)	1.115 (28.32)	.842 (21.39)	.930 (23.62)								
37	1.488 (37.80)	1.265 (32.13)	.992 (25.20)	1.080 (27.43)								
51	1.438 (36.53)	1.215 (30.86)	.942 (23.93)	1.030 (26.16)	.260 (6.60)	.300 (7.62)	.660 (16.76)			.150 (3.81)	.177 (4.50)	.260 (6.60)

Note: In receptacle, interfacial seal not included for plastic shell

RIGHT ANGLE (90 DEG) NARROW PROFILE PC CONFIGURATION

.100 (2.54) X .100 (2.54) GRID PATTERN, OFFSET .050 (1.27)



Cavity identification numbers are for reference only and does not appear on the connector.

MICRO-D LOW PROFILE CONNECTORS

SERIES 101

QUALIFIED TO M83513/06 THRU /09

How to Order

FEATURES

- Reduced flange height in comparison with standard 100 series connectors
- High-performance thermoplastic shell resistance to aggressive chemical environments
- Stable dielectric and insulating properties
- Pre-wired and fully potted
- Ideal for tight spaces

1.	2.	3.	4.	5.	6.	7.	8.	9.	10.	11.
RoHS Compliance	Connector Series	Insulated Sealing Type	Connector Size	Connector Type	Wire Size (AWG)	Wire Type	Wire Color Finish	Wire Length	Hardware (Pre-Installed)	Non Standard Length
	101	R	25	P-	4	A	5	F	P-	48

MICRO-D

1. RoHS Compliance <table border="1"> <tr> <td>E</td> <td>RoHS Compliant</td> </tr> <tr> <td></td> <td>Blank for Non-RoHS</td> </tr> </table>	E	RoHS Compliant		Blank for Non-RoHS	2. Connector Series <table border="1"> <tr> <td>101</td> <td>Low Profile All Plastic Shell Per M83513</td> </tr> </table>	101	Low Profile All Plastic Shell Per M83513	3. Insulated Sealing Type <table border="1"> <tr> <td>R</td> <td>Polyphenylene Sulfide (Ryton)</td> </tr> </table>	R	Polyphenylene Sulfide (Ryton)	4. Connector Size (Number of Contacts) <table border="1"> <tr><td>09</td></tr> <tr><td>15</td></tr> <tr><td>21</td></tr> <tr><td>25</td></tr> <tr><td>31</td></tr> <tr><td>37</td></tr> <tr><td>51</td></tr> </table>	09	15	21	25	31	37	51																																																	
E	RoHS Compliant																																																																		
	Blank for Non-RoHS																																																																		
101	Low Profile All Plastic Shell Per M83513																																																																		
R	Polyphenylene Sulfide (Ryton)																																																																		
09																																																																			
15																																																																			
21																																																																			
25																																																																			
31																																																																			
37																																																																			
51																																																																			
5. Connector Type <table border="1"> <tr> <td>P-</td> <td>Plug (Pin)</td> </tr> <tr> <td>S-</td> <td>Receptacle (Socket)</td> </tr> <tr> <td>G-</td> <td>Plug with Ground Spring</td> </tr> </table>	P-	Plug (Pin)	S-	Receptacle (Socket)	G-	Plug with Ground Spring	6. Wire Size (AWG) <table border="1"> <tr> <td></td> <td>Omit for Solder Cup</td> </tr> <tr> <td>1</td> <td>32</td> </tr> <tr> <td>2</td> <td>30</td> </tr> <tr> <td>3</td> <td>28</td> </tr> <tr> <td>4</td> <td>26 (M83513 Standard) *Off Shelf</td> </tr> <tr> <td>5</td> <td>25 (Solid Wire Only)</td> </tr> <tr> <td>6</td> <td>24</td> </tr> <tr> <td>7</td> <td>Special 24 AWG Solder Cup (Omit Steps 8-10)</td> </tr> </table>		Omit for Solder Cup	1	32	2	30	3	28	4	26 (M83513 Standard) *Off Shelf	5	25 (Solid Wire Only)	6	24	7	Special 24 AWG Solder Cup (Omit Steps 8-10)	7. Wire Type <table border="1"> <tr> <td></td> <td>Omit for Solder Cup</td> </tr> <tr> <td colspan="2">GENERAL APPLICATIONS:</td> </tr> <tr> <td>A</td> <td>7 Strd. per NEMA-HP3 (MIL-W-16878/4)</td> </tr> <tr> <td>B</td> <td>7 Strd. per NEMA-HP3 (Formerly MIL-W-16878/6)</td> </tr> <tr> <td>C</td> <td>19 Strd. Per NEMA-HP3 (MIL-W-16878/4)</td> </tr> <tr> <td>D</td> <td>19 Strd. Per NEMA-HP3 (MIL-W-16878/6)</td> </tr> <tr> <td colspan="2">MILITARY/AEROSPACE:</td> </tr> <tr> <td>E</td> <td>Per MIL-W-22759/11 (M83513 Standard)</td> </tr> <tr> <td>F</td> <td>Per MIL-W-22759/33 (Space Grade)</td> </tr> <tr> <td>L</td> <td>Solid Wire Uninsulated</td> </tr> <tr> <td>G</td> <td>04035-26A</td> </tr> </table>		Omit for Solder Cup	GENERAL APPLICATIONS:		A	7 Strd. per NEMA-HP3 (MIL-W-16878/4)	B	7 Strd. per NEMA-HP3 (Formerly MIL-W-16878/6)	C	19 Strd. Per NEMA-HP3 (MIL-W-16878/4)	D	19 Strd. Per NEMA-HP3 (MIL-W-16878/6)	MILITARY/AEROSPACE:		E	Per MIL-W-22759/11 (M83513 Standard)	F	Per MIL-W-22759/33 (Space Grade)	L	Solid Wire Uninsulated	G	04035-26A	8. Wire Color / Finish <table border="1"> <tr> <td></td> <td>Omit for Solder Cup</td> </tr> <tr> <td>1</td> <td>All White (M83513 Standard) *Off Shelf</td> </tr> <tr> <td>2</td> <td>All Yellow</td> </tr> <tr> <td>3</td> <td>Solid Wire Uninsulated, Tin Plated</td> </tr> <tr> <td>4</td> <td>Solid Wire Uninsulated, Gold Plated</td> </tr> <tr> <td>5</td> <td>Color coded per Mil-STD-681, System 1</td> </tr> <tr> <td>6</td> <td>1st 10 Colors black thru white, repeated (M83513 Standard) *Off shelf</td> </tr> <tr> <td>7</td> <td>1st 15 colors black thru white/Yellow Repeated (Size 21+ Only)</td> </tr> <tr> <td>8</td> <td>Twisted Pairs, White/Blue</td> </tr> <tr> <td>9</td> <td>Twisted Pairs, White/Blue, Marked</td> </tr> </table>		Omit for Solder Cup	1	All White (M83513 Standard) *Off Shelf	2	All Yellow	3	Solid Wire Uninsulated, Tin Plated	4	Solid Wire Uninsulated, Gold Plated	5	Color coded per Mil-STD-681, System 1	6	1st 10 Colors black thru white, repeated (M83513 Standard) *Off shelf	7	1st 15 colors black thru white/Yellow Repeated (Size 21+ Only)	8	Twisted Pairs, White/Blue	9	Twisted Pairs, White/Blue, Marked
P-	Plug (Pin)																																																																		
S-	Receptacle (Socket)																																																																		
G-	Plug with Ground Spring																																																																		
	Omit for Solder Cup																																																																		
1	32																																																																		
2	30																																																																		
3	28																																																																		
4	26 (M83513 Standard) *Off Shelf																																																																		
5	25 (Solid Wire Only)																																																																		
6	24																																																																		
7	Special 24 AWG Solder Cup (Omit Steps 8-10)																																																																		
	Omit for Solder Cup																																																																		
GENERAL APPLICATIONS:																																																																			
A	7 Strd. per NEMA-HP3 (MIL-W-16878/4)																																																																		
B	7 Strd. per NEMA-HP3 (Formerly MIL-W-16878/6)																																																																		
C	19 Strd. Per NEMA-HP3 (MIL-W-16878/4)																																																																		
D	19 Strd. Per NEMA-HP3 (MIL-W-16878/6)																																																																		
MILITARY/AEROSPACE:																																																																			
E	Per MIL-W-22759/11 (M83513 Standard)																																																																		
F	Per MIL-W-22759/33 (Space Grade)																																																																		
L	Solid Wire Uninsulated																																																																		
G	04035-26A																																																																		
	Omit for Solder Cup																																																																		
1	All White (M83513 Standard) *Off Shelf																																																																		
2	All Yellow																																																																		
3	Solid Wire Uninsulated, Tin Plated																																																																		
4	Solid Wire Uninsulated, Gold Plated																																																																		
5	Color coded per Mil-STD-681, System 1																																																																		
6	1st 10 Colors black thru white, repeated (M83513 Standard) *Off shelf																																																																		
7	1st 15 colors black thru white/Yellow Repeated (Size 21+ Only)																																																																		
8	Twisted Pairs, White/Blue																																																																		
9	Twisted Pairs, White/Blue, Marked																																																																		
9. Wire Length (Inches) <table border="1"> <tr> <td></td> <td>Omit for Solder Cup</td> </tr> <tr> <td>A</td> <td>.18.00 (+1.00/-0.00)</td> </tr> <tr> <td>B</td> <td>.36.00 (+1.00/-0.00)</td> </tr> <tr> <td>C</td> <td>.72.00 (+1.00/-0.00)</td> </tr> <tr> <td>D</td> <td>0.500 (Solid Wire only +0.20/-0.00)</td> </tr> <tr> <td>E</td> <td>1.00 (Solid wire only +0.20/-0.00)</td> </tr> <tr> <td>F</td> <td>Non-Standard Length</td> </tr> </table>		Omit for Solder Cup	A	.18.00 (+1.00/-0.00)	B	.36.00 (+1.00/-0.00)	C	.72.00 (+1.00/-0.00)	D	0.500 (Solid Wire only +0.20/-0.00)	E	1.00 (Solid wire only +0.20/-0.00)	F	Non-Standard Length	10. Hardware (Pre-Installed) <table border="1"> <tr> <td>B-</td> <td>Standard Mounting Holes</td> </tr> <tr> <td>H-</td> <td>Threaded Mounting Holes, #2-56</td> </tr> <tr> <td>D-</td> <td>Metric Threaded Mounting Hole, M2</td> </tr> <tr> <td>P-</td> <td>Jackpost</td> </tr> <tr> <td>M2-</td> <td>Low Profile Jackscrew, Allen Head</td> </tr> <tr> <td>M3-</td> <td>High Profile Jackscrew, Allen Head</td> </tr> <tr> <td>M5-</td> <td>Low Profile Jackscrew, Slot Head</td> </tr> <tr> <td>M6-</td> <td>High Profile Jackscrew, Slot Head</td> </tr> <tr> <td>L-</td> <td>Captive Low Profile Jackscrew</td> </tr> <tr> <td>K-</td> <td>Captive High Profile Jackscrew</td> </tr> <tr> <td>F-</td> <td>Forward Float Mount</td> </tr> <tr> <td>R-</td> <td>Reverse Float Mount</td> </tr> </table>	B-	Standard Mounting Holes	H-	Threaded Mounting Holes, #2-56	D-	Metric Threaded Mounting Hole, M2	P-	Jackpost	M2-	Low Profile Jackscrew, Allen Head	M3-	High Profile Jackscrew, Allen Head	M5-	Low Profile Jackscrew, Slot Head	M6-	High Profile Jackscrew, Slot Head	L-	Captive Low Profile Jackscrew	K-	Captive High Profile Jackscrew	F-	Forward Float Mount	R-	Reverse Float Mount	11. Non Standard Length <table border="1"> <tr> <td></td> <td>(0.109 < length < 1.00) e.g. 125 = .125 inches</td> </tr> </table>		(0.109 < length < 1.00) e.g. 125 = .125 inches																									
	Omit for Solder Cup																																																																		
A	.18.00 (+1.00/-0.00)																																																																		
B	.36.00 (+1.00/-0.00)																																																																		
C	.72.00 (+1.00/-0.00)																																																																		
D	0.500 (Solid Wire only +0.20/-0.00)																																																																		
E	1.00 (Solid wire only +0.20/-0.00)																																																																		
F	Non-Standard Length																																																																		
B-	Standard Mounting Holes																																																																		
H-	Threaded Mounting Holes, #2-56																																																																		
D-	Metric Threaded Mounting Hole, M2																																																																		
P-	Jackpost																																																																		
M2-	Low Profile Jackscrew, Allen Head																																																																		
M3-	High Profile Jackscrew, Allen Head																																																																		
M5-	Low Profile Jackscrew, Slot Head																																																																		
M6-	High Profile Jackscrew, Slot Head																																																																		
L-	Captive Low Profile Jackscrew																																																																		
K-	Captive High Profile Jackscrew																																																																		
F-	Forward Float Mount																																																																		
R-	Reverse Float Mount																																																																		
	(0.109 < length < 1.00) e.g. 125 = .125 inches																																																																		

SOLDER CUP TERMINATION

1.	2.	3.
Connector Series	Specification Sheet	Insert Arrangement
M83513/	06-	A

1. Connector Series		2. Specification Sheet		3. Insert Arrangement	
M83513/	M83513	06-	Plug (Pin)	A	9
		07-	Receptacles (Socket)	B	15
				C	21
				D	25
				E	31
				F	37
				G	51
Size 69 & 100 not available per M83513					

CRIMP TERMINATION

1.	2.	3.	4.
Connector Series	Specification Sheet	Insert Arrangement	Wire Type
M83513/	08-	F	01

1. Connector Series		2. Specification Sheet		3. Insert Arrangement	
M83513/	M83513	08-	Plug (Pin)	A	9
		09-	Receptacles (Socket)	B	15
				C	21
				D	25
				E	31
				F	37
				G	51
Size 69 & 100 not available per M83513					

4. Wire Type (Inches +1.00/-0.00)		4. Wire Type (Inches +1.00/-0.00)	
01	M22759/11-26-9, 18"	10	M22759/33-26-9, 36"
02	M22759/11-26-9, 36"	11	M22759/33-26-(*), 18"
03	M22759/11-26-(*) ,18"	12	M22759/33-26-(*), 36"
04	M22759/11-26-(*) ,36"	13	M22759/11-26-9, 72"
05	A-A-59551, Type S, 25 AWG, except shall be gold plated 10 micro-inches; 0.5"	14	M22759/11-26-(*) , 72"
06	A-A-59551, TYPE S, 25 AWG, except shall be gold plated 10 micro-inches; 1.0"	15	M22759/33-26-9, 72"
07	A-A-59551, TYPE S, 25 AWG, tin plated 100 micro-inches; 0.5"	16	M22759/33-26(*), 72"
08	A-A-59551, TYPE S, 25 AWG, tin plated 100 micro-inches; 1.0"	17	04035-26A-9, 18"
09	M22759/33-26-9, 18"	18	04035-26A-9, 36"
		19	04035-26A-9, 72"
		20	04035-26A-(*) , 18"
		21	04035-26A-(*) , 36"
		22	04035-26A-(*) , 72"

NOTE: Mounting and mating hardware to be ordered separately per M83513

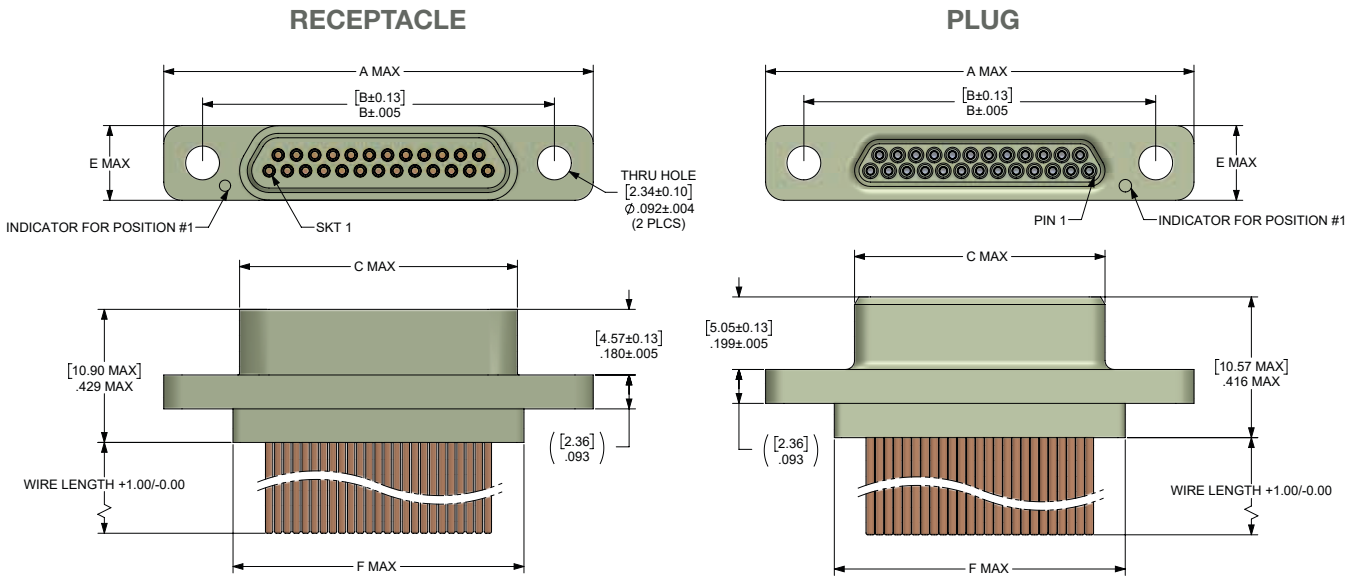
MICRO-D LOW PROFILE CONNECTORS

SERIES 101

QUALIFIED TO M83513/06 THRU /09

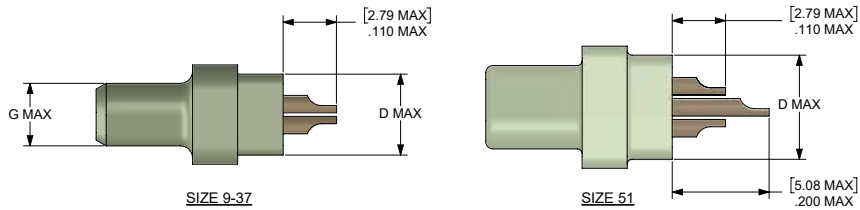


WIRE TERMINATION: M83513/08 & /09



MICRO-D

SOLDER CUP TERMINATION PLUG/RECEPTACLE: M83513/06 & /07



Dimensions are in inch(mm)

SIZE	A MAX	B ±.005 (0.13)	C MAX		D MAX	E MAX	F MAX	G MAX	
			PLUG	RCPT				PLUG	RCPT
09	.788 (20.02)	.565 (14.35)	.292 (7.42)	.380 (9.65)	.173 (4.39)	.218 (5.54)	.408 (10.36)	.134 (3.40)	.218 (5.54)
15	.938 (23.82)	.715 (18.16)	.442 (11.23)	.530 (13.46)					
21	1.088 (27.64)	.865 (21.97)	.592 (15.04)	.680 (17.27)					
25	1.188 (30.18)	.965 (24.51)	.692 (17.58)	.780 (19.81)					
31	1.338 (33.98)	1.115 (28.32)	.842 (21.39)	.930 (23.62)					
37	1.488 (37.80)	1.265 (32.13)	.992 (25.20)	1.080 (27.43)					
51	1.438 (36.52)	1.215 (30.86)	.942 (23.93)	1.030 (26.16)	.220 (5.59)	.260 (6.60)	1.058 (26.87)	.177 (4.49)	.260 (6.60)

Note: In receptacle, interfacial seal not included for plastic shell

How to Order

FEATURES

- Reduced flange height in comparison with standard 100 PCB connectors
- High-performance thermoplastic shell resistance to aggressive chemical environments
- Stable dielectric and insulating properties
- Available in straight and right angle termination style
- Solid copper 24 AWG PCB leads, Tin plated, and solder dipped
- Ideal for tight spaces

1.	2.	3.	4.	5.	6.	7.	8.	9.	10.
RoHS Compliance	Connector Series	Insulated Sealing Type	Connector Size	Connector Type	Termination Type	Hardware (Pre-Installed)	Threaded Insert	Lead Length (inches)	Non Standard Length
E	101	R	25	P-	BR	P	T	F-	125

1. RoHS Compliance	
E	RoHS Compliant
	Blank for Non-RoHS

2. Connector Series	
101	Low Profile all Plastic Shell per M8513

3. Insulated Sealing Type	
R	Polyphenylene Sulfide (Ryton)

4. Connector Size (Number of Contacts)	
	09
	15
	21
	25
	31
	37
	51

5. Connector Type	
P-	Plug (Pin)
S-	Receptacle (Socket)
G-	Plug with Ground Spring

6. Termination Type	
BS	Straight PCB per M83513/22-/27
BR	Right Angle PCB per M83513 /16- /21
CBR	Narrow Right Angle PCB (Dimension same as M83513/10 - /15)

7. Hardware (Pre-Installed)	
H	Threaded Mounting Holes, #2-56
D	Metric Threaded Mounting Hole, M2
P	Jackpost
PA	Hex Head Rear Panel Mount Jackpost for .027" - .037" [.68mm - .94mm] Panel Thickness

8. Threaded Insert (Pre-Installed PCB Mounting Options)	
	Omit for no threaded insert
T	#2-56 Threaded Insert
V	M2 Threaded Insert

9. Lead Length (inches)	
1-	.109 ± .015
2-	.140 ± .015
3-	.172 ± .015
4-	.250 ± .015
F-	Non Standard Length
GOLD	
5-	.109 ± .015
6-	.140 ± .015
7-	.172 ± .015
8-	.250 ± .015
G-	Non Standard Length

PB	Hex Head RPM for .042" - .052" [1.06mm - 1.32mm] Panel Thickness
PC	Hex Head RPM for .057" - .067" [1.45mm - 1.70mm] Panel Thickness
PD	Hex Head RPM for .088" - .098" [2.24mm - 2.49mm] Panel Thickness
PE	Hex Head RPM for .075"- .085" [1.91mm - 2.16mm] Panel Thickness
PF	Hex Head RPM for .120"- .130" [3.05mm - 3.30mm] Panel Thickness
PG	Hex Head RPM for .067"- .077" [1.70mm - 1.96mm] Panel Thickness
SA	Slot Head Rear Panel Mount Jackpost for .027" - .037" [.68mm - .94mm] Panel Thickness
SB	Slot Head RPM for .042" - .052" [1.06mm - 1.32mm] Panel Thickness

7. Hardware (Pre-Installed)	
SC	Slot Head RPM for .057" - .067" [1.45mm - 1.70mm] Panel Thickness
SD	Slot Head RPM for .088" - .098" [2.24mm - 2.49mm] Panel Thickness
SE	Slot Head RPM for .075"- .085" [1.91mm - 2.16mm] Panel Thickness
SF	Slot Head RPM for .120"- .130" [3.05mm - 3.30mm] Panel Thickness
SG	Slot Head RPM for .067"- .077" [1.70mm - 1.96mm] Panel Thickness

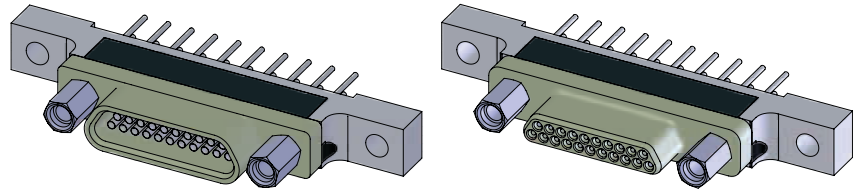
10. Non Standard Length	
	(0.109 < length < 1.00) e.g. 125 = .125 inches

MICRO-D LOW PROFILE PCB CONNECTORS

SERIES 101

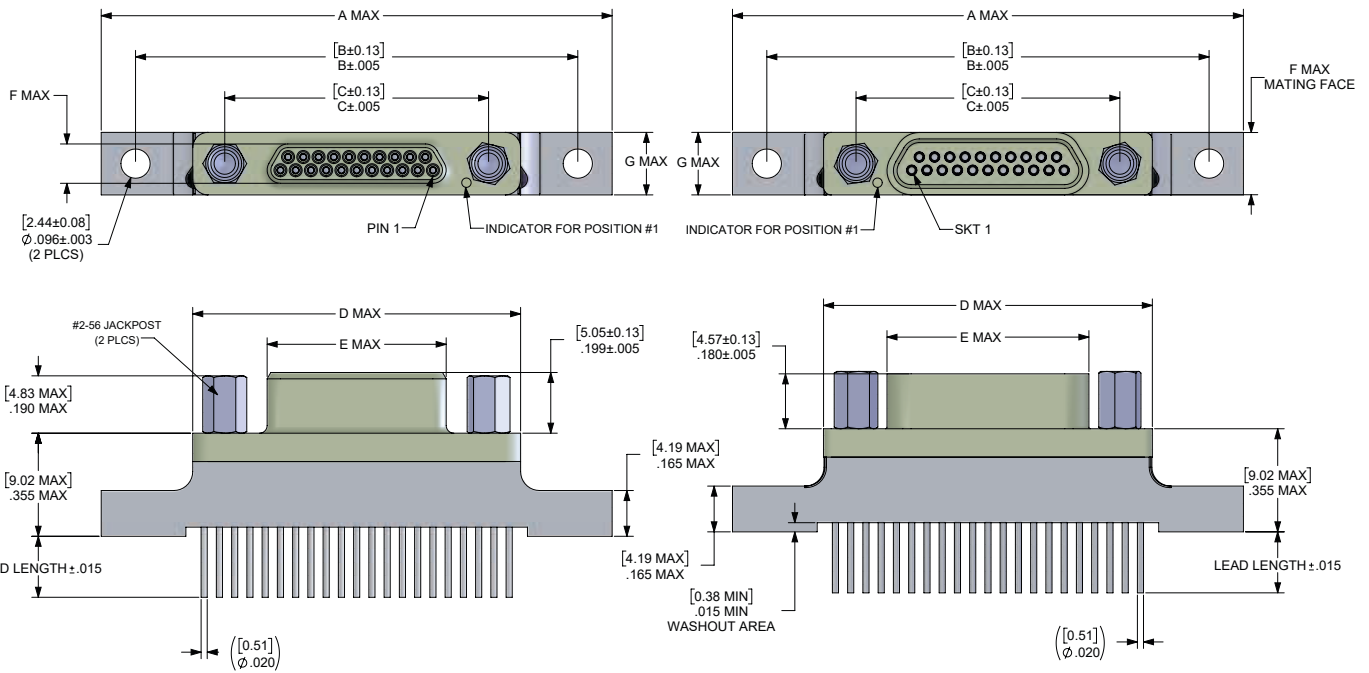
BS Termination

BOARD STRAIGHT CONNECTOR



PLUG

RECEPTACLE



MICRO-D

Refer to page 26 for straight PC configurations.

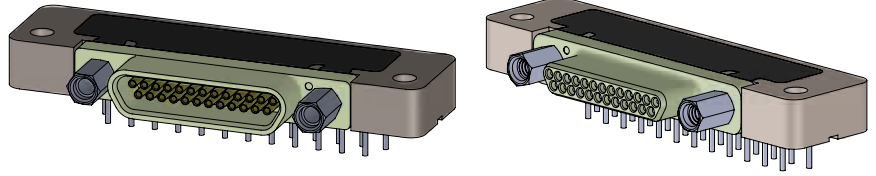
Dimensions are in inch(mm)

SIZE	A MAX	B ±.007 (0.18)	C ±.005 (0.13)	D MAX	E MAX		F MAX		G MAX
					PLUG	RCPT	PLUG	RCPT	
09	1.390 (35.31)	1.150 (29.21)	.565 (14.35)	.788 (20.02)	.292 (7.42)	.380 (9.65)			
15	1.390 (35.31)	1.150 (29.21)	.715 (18.16)	.938 (23.83)	.442 (11.23)	.530 (13.46)			
21	1.690 (42.93)	1.450 (36.83)	.865 (21.97)	1.088 (27.64)	.592 (15.04)	.680 (17.27)	.134 (3.40)	.218 (5.54)	.218 (5.54)
25	1.740 (44.20)	1.500 (38.10)	.965 (24.51)	1.188 (30.18)	.692 (17.58)	.780 (19.81)			
31	2.040 (51.82)	1.800 (45.72)	1.115 (28.32)	1.338 (33.99)	.842 (21.39)	.930 (23.62)			
37	2.340 (59.44)	2.100 (53.34)	1.265 (32.13)	1.488 (37.80)	.992 (25.20)	1.080 (27.43)			
51	2.270 (67.66)	2.000 (50.80)	1.215 (30.86)	1.438 (36.53)	.942 (23.93)	1.030 (26.16)	.177 (4.50)	.260 (6.60)	.260 (6.60)

Note: In receptacle, interfacial seal not included for plastic shell

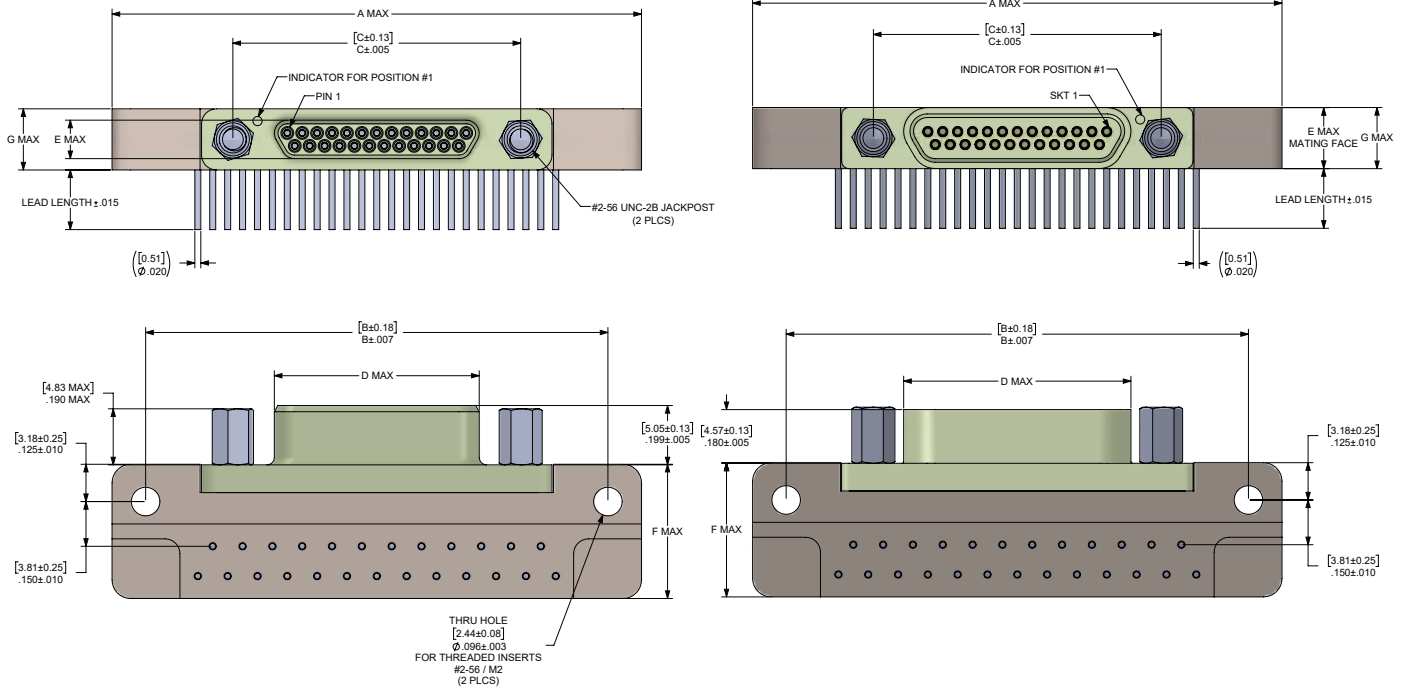
BR Termination

BOARD RIGHT ANGLE CONNECTOR



PLUG

RECEPTACLE



Refer to page 24 for right angle (90 DEG) PC configurations.

Dimensions are in inch(mm)

SIZE	A MAX	±.007 (0.18)	±.005 (0.13)	D MAX		E MAX		F MAX	G MAX
				PLUG	RCPT	PLUG	RCPT		
09	1.390 (35.31)	1.150 (29.21)	.565 (14.35)	.292 (7.42)	.380 (9.65)	.134 (3.40)	.218 (5.54)	.455 (11.56)	.218 (5.54)
15	1.540 (39.12)	1.300 (33.02)	.715 (18.16)	.442 (11.23)	.530 (13.46)				
21	1.690 (42.93)	1.450 (36.83)	.865 (21.97)	.592 (15.04)	.680 (17.27)				
25	1.790 (45.47)	1.550 (39.37)	.965 (24.51)	.692 (17.58)	.780 (19.81)				
31	2.040 (51.82)	1.800 (45.72)	1.115 (28.32)	.842 (21.39)	.930 (23.62)				
37	2.340 (59.44)	2.100 (53.34)	1.265 (32.13)	.992 (25.20)	1.080 (27.43)	.177 (4.49)	.260 (6.60)	.565 (14.35)	.260 (6.60)
51	1.875 (47.63)	1.600 (40.64)	1.215 (30.86)	.942 (23.93)	1.030 (26.16)				

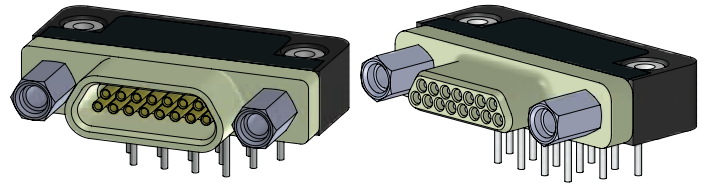
Note: In receptacle, interfacial seal not included for plastic shell

MICRO-D LOW PROFILE PCB CONNECTORS

SERIES 101

CBR Termination

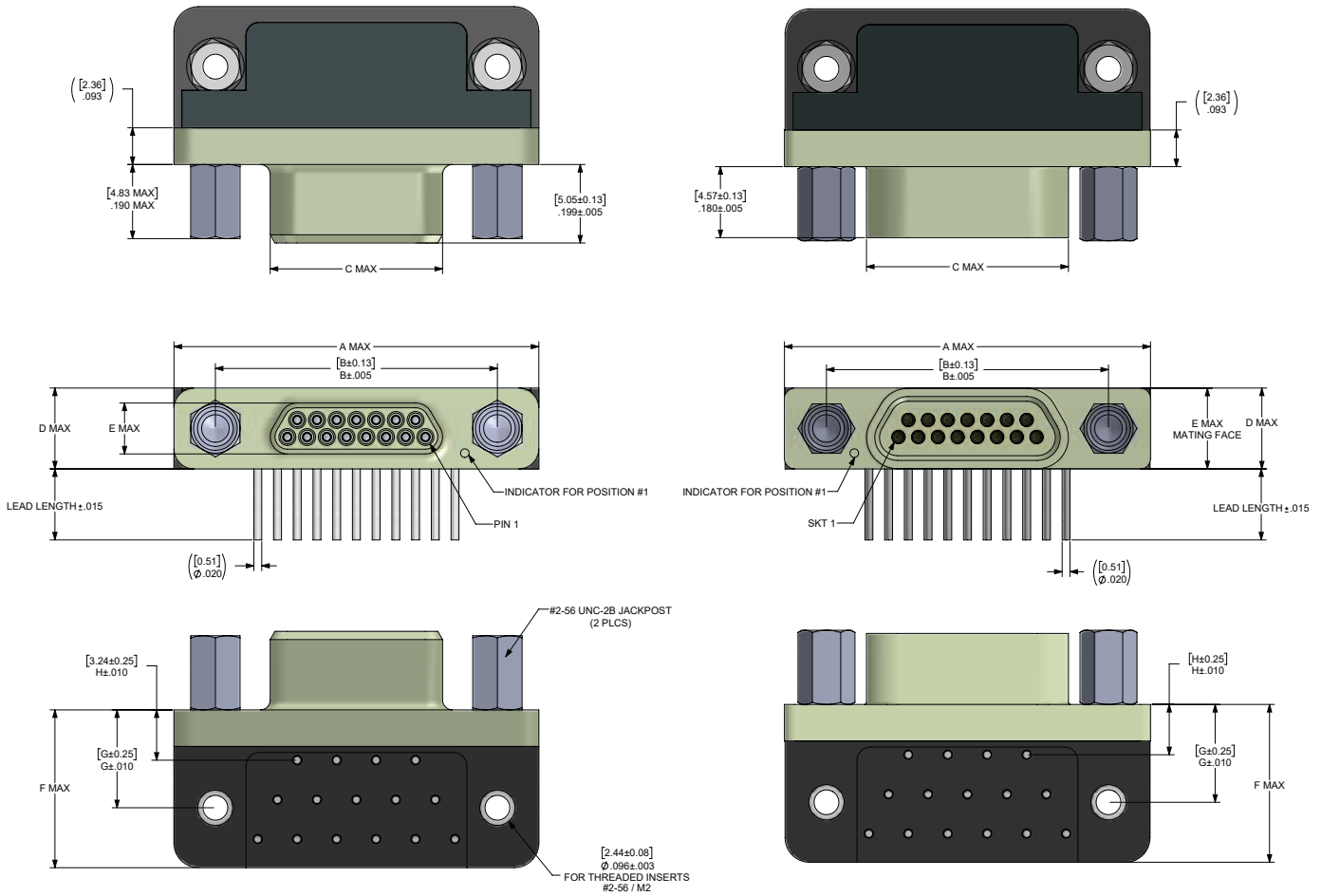
BOARD RIGHT ANGLE CONNECTOR



PLUG

RECEPTACLE

MICRO-D



Refer to page 19 for right angle (90 DEG) low profile PC configurations.

Dimensions are in inch(mm)

SIZE	A MAX	±.005 (0.13)	C MAX		D MAX	E MAX		F MAX	±.010 (0.25)	H
			PLUG	RCPT		PLUG	RCPT			
09	.788 (20.02)	.565 (14.35)	.292 (7.42)	.380 (9.65)				.420 (10.67)		.230 (5.84)
15	.938 (23.83)	.715 (18.16)	.442 (11.23)	.530 (13.46)						
21	1.088 (27.64)	.865 (21.97)	.592 (15.04)	.680 (17.27)	.218 (5.54)	.134 (3.40)	.218 (5.54)		.250 (6.35)	.130 (3.30)
25	1.188 (30.18)	.965 (24.51)	.692 (17.58)	.780 (19.81)						
31	1.338 (33.98)	1.115 (28.32)	.842 (21.39)	.930 (23.62)						
37	1.488 (37.80)	1.265 (32.13)	.992 (25.20)	1.080 (27.43)						
51	1.438 (36.52)	1.215 (30.86)	.942 (23.93)	1.030 (26.16)	.260 (6.60)	.177 (4.49)	.260 (6.60)	.650 (16.51)	.300 (7.62)	.150 (3.81)

Note: In receptacle, interfacial seal not included for plastic shell

How to Order

FEATURES

- Insulated or conductive O-Ring supplied
- Pre-wired and fully potted
- Ground spring to improve EMI protection (Optional)
- Metal shells to provide RFI/EMI shielding

1.	2.	3.	4.	5.	6.	7.	8.	9.	10.	11.	12.
RoHS Compliance	Connector Series	Insulator Material	Shell Finish	Connector Size	Connector Type	Wire Size (AWG)	Wire Type	Wire Color/Finish	Wire Length (inches +1.00/-0.00)	Hardware (Pre-Installed)	Non-STD Length
	107	R	N	51	P-	6	E	5	A	PD-	125

1. RoHS Compliance

E	RoHS Compliant
	Blank for Non-RoHS

2. Connector Series

107	Micro-D O-Ring Series
------------	-----------------------

3. Insulator Material

	Polyphenylene Sulfide (Ryton)
R	Sealing O-Ring
C	Conductive O-Ring
H	Sealed to 10 ⁻⁵ CC/ATM Helium

4. Shell Finish

A	Anodize (Black)
B	Zinc Nickel (Black Chromate)
C	Cadmium (Clear)
D	Olive Drab Cadmium
F	Chem Film
G	Gold
K	Zinc Nickel- 48 hrs
L	Pure Electro-Deposited Aluminum
N	Electroless Nickel
T	Nickel Teflon

5. Connector Size (Number of Contacts)

09
15
21
25
31
37
51
69
100

6. Connector Type

S-	Receptacle (Socket)
P-	Plug (Pin)
G-	Plug with Ground Spring

8. Wire Type

	Omit for Solder Cup
--	---------------------

7. Wire Size (AWG)

	Omit for Solder Cup
4	26 (M835351 STD)
5	25 (Solid Wire Only)
6	24

GENERAL APPLICATIONS:

A	7 Strd. per NEMA-HP3 [MIL-W-16878/4]
B	7 Strd. per NEMA-HP3 (Formerly MIL-W-16878/6)
C	19 Strd. Per NEMA-HP3 (MIL-W-16878/4)
D	19 Strd. Per NEMA-HP3 (MIL-W-16878/6)

MILITARY/AEROSPACE:

E	Per MIL-W-22759/11 (M83513 Standard)
F	Per MIL-W-22759/33 (Space Grade)
L	Solid Wire Uninsulated
G	04035-26A

11. Hardware (Pre-Installed)

PF-	Hex Head RPM for .120"-.130" [3.05mm - 3.30mm] Panel Thickness
SA-	Slot Head Rear Panel Mount Jackpost for .027" - .037" [.68mm - .94mm] Panel Thickness
SB-	Slot Head RPM for .042" - .052" [1.06mm - 1.32mm] Panel Thickness
SC-	Slot Head RPM for .057" - .067" [1.45mm - 1.70mm] Panel Thickness
SG-	Slot Head RPM for .067"-.077" [1.70mm - 1.96mm] Panel Thickness
SD-	Slot Head RPM for .088" - .098" [2.24mm - 2.49mm] Panel Thickness
SE-	Slot Head RPM for .075"-.085" [1.91mm - 2.16mm] Panel Thickness
SF-	Slot Head RPM for .120"-.130" [3.05mm - 3.30mm] Panel Thickness

9. Wire Color/Finish

	Omit for Solder Cup
1	All White (M83513-STD)
2	All Yellow
3	Solid Wire Uninsulated, Tin Plated
4	Solid Wire Uninsulated, Gold plated
5	Color Coded Per Mil-Standard-68 System I
6	1st 10 Color Black thru White Related (M83513 Standard)

10. Wire Length (Inches)

	Omit for Solder Cup
A	18.00 (+1.00/-0.00)
B	36.00 (+1.00/-0.00)
C	72.00 (+1.00/-0.00)
D	0.50 (+0.20/-0.00 Solid wire only)
E	1.00 (+0.20/-0.00 Solid wire only)
F	Non-Standard Length

11. Hardware (Pre-Installed)

H-	Threaded Insert (#2-56 for Size 9-69, #4-40 for Size 100)
D-	Metric Threaded Insert (M2 for size 9-69, M3 for size 100)
PA-	Hex Head Rear Panel Mount Jackpost for .027" - .037" (.68mm - .94mm) Panel Thickness
PB-	Hex Head RPM for .042" - .052" (1.06mm - 1.32mm) Panel Thickness

11. Hardware (Pre-Installed)

PC-	Hex Head RPM for .057" - .067" [1.45mm - 1.70mm] Panel Thickness
PG-	Hex Head RPM for .067"-.077" [1.70mm - 1.96mm] Panel Thickness
PD-	Hex Head RPM for .088" - .098" [2.24mm - 2.49mm] Panel Thickness
PE-	Hex Head RPM for .075"-.085" [1.91mm - 2.16mm] Panel Thickness

12. Non Standard Length

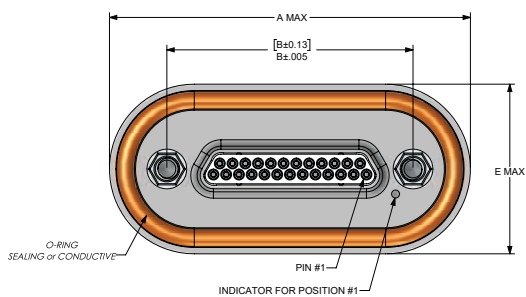
Stranded Wire
E.G. 1 = 1.00", 100 = 100.00"
Solid Wire
(.109" < Length < 1.00")
E.G. 110 = .110", 999 = .999"

MICRO-D O-RING CONNECTORS SERIES 107

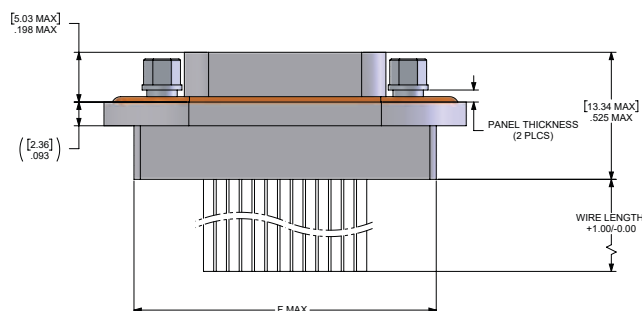
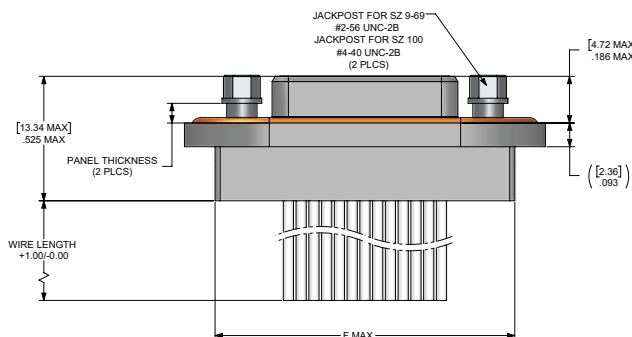
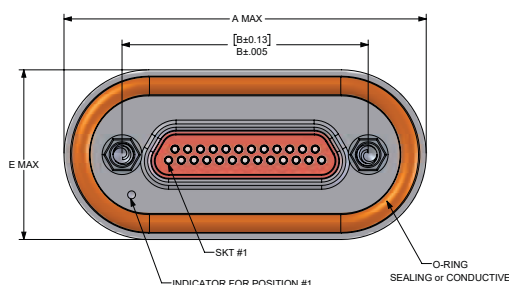
WIRE TERMINATION:



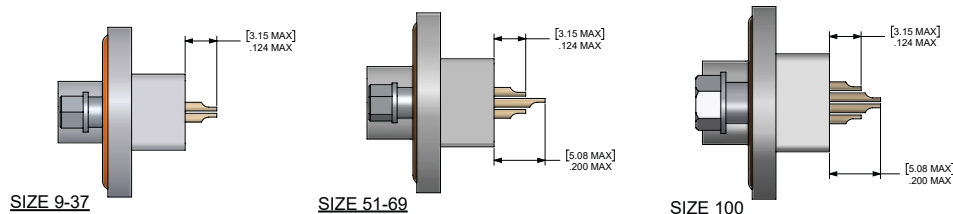
PLUG



RECEPTACLE



SOLDER CUP TERMINATION PLUG/RECEPTACLE



Dimensions are in inch(mm)

SIZE	A MAX	B ±.005 (0.13)	E MAX	F MAX
09	1.025 (26.04)	.565 (14.35)	.675 (17.14)	.785 (19.94)
15	1.225 (31.11)	.715 (18.16)		.935 (23.75)
21	1.325 (33.66)	.865 (21.97)		1.085 (27.56)
25	1.425 (36.20)	.965 (24.51)		1.185 (30.10)
31	1.545 (39.24)	1.115 (28.32)		1.335 (33.91)
37	1.725 (43.82)	1.265 (32.13)		1.485 (37.72)
51	1.695 (43.05)	1.215 (30.86)	.715 (18.16)	1.435 (36.45)
69	1.995 (50.67)	1.515 (38.48)		1.735 (44.07)
100	2.375 (60.33)	1.800 (45.72)	.765 (19.43)	2.170 (55.12)

MICRO-D

How to Order

FEATURES

- Insulated or conductive O-Ring supplied
- Solid copper 24 AWG PCB leads, Tin plated, and solder dipped
- Ground spring to improve EMI protection (Optional)

1.	2.	3.	4.	5.	6.	7.	8.	9.	10.	11.
RoHS Compliance	Connector Series	Insulator Sealing Type	Shell Finish	Connector Size	Connector Type	Termination Type	Hardware (Pre-Installed)	Threaded Insert	Lead Length (inches)	Non Standard Length
	107	R	N	25	G-	H6	PD	T	F-	125

1. RoHS Compliance

E	RoHS Compliant
	Blank for Non-RoHS

5. Connector Size (Number of Contacts)

09
15
21
25
31
37
51
69
100

8. Hardware (Pre-Installed)

H	Threaded mounting hole (#2-56 for Size 9-69, #4-40 for Size 100)
D	Metric Threaded Mounting Hole, M2 (9-69), M3 (Size 100)
PA	Hex Head Rear Panel Mount Jackpost for .027" - .037" [.68mm - .94mm] Panel Thickness
PB	Hex Head RPM for .042" - .052" [1.06mm - 1.32mm] Panel Thickness
PC	Hex Head RPM for .057" - .067" [1.45mm - 1.70mm] Panel Thickness
PD	Hex Head RPM for .088" - .098" [2.24mm - 2.49mm] Panel Thickness
PE	Hex Head RPM for .075"-.085" [1.91mm -2.16mm] Panel Thickness

2. Connector Series

107	Micro-D O-Ring Series
------------	-----------------------

6. Connector Type

S-	Receptacle (Socket)
P-	Plug (Pin)
G-	Plug (Pin) w/ EMI Ground Spring

8. Hardware (Pre-Installed)

PF	Hex Head RPM for .120"-.130" [3.05mm - 3.30mm] Panel Thickness
PG	Hex Head RPM for .067"-.077" [1.70mm - 1.96mm] Panel Thickness
SA	Slot Head Rear Panel Mount Jackpost for .027" - .037" [.68mm - .94mm] Panel Thickness
SB	Slot Head RPM for .042" - .052" [1.06mm - 1.32mm] Panel Thickness
SC	Slot Head RPM for .057" - .067" [1.45mm - 1.70mm] Panel Thickness
SD	Slot Head RPM for .088" - .098" [2.24mm - 2.49mm] Panel Thickness
SE	Slot Head RPM for .075"-.085" [1.91mm - 2.16mm] Panel Thickness
SF	Slot Head RPM for .120"-.130" [3.05mm - 3.30mm] Panel Thickness
SG	Slot Head RPM for .067"-.077" [1.70mm - 1.96mm] Panel Thickness

3. Insulator Sealing Type

	Polyphenylene Sulfide (Ryton)
R	Sealing O-Ring
C	Conductive O-Ring
H	Sealing to 10 ⁻⁵ CC/ATM Helium

7. Termination Type

CBR	Narrow Right Angle
HBR	High Density CBR
C6	Straight PCB
H6	High Density Straight PCB

9. Threaded Insert (Pre-Installed PCB Mounting Options)

	Omit for no threaded insert
T	#2-56 Threaded Insert (Size 9-69)
U	#4-40 Threaded Insert (Size 100 Only)
V	M2 Threaded Insert (Size 9-69)
Z	M3 Threaded Insert (Size 100 Only)

4. Shell Finish

A	Anodize (Black)
B	Zinc Nickel (Black Chromate)
C	Cadmium (Yellow Chromate)
D	Olive Drab Cadmium
F	Chem Film
G	Gold
K	Zinc Nickel- 48 hrs
L	Pure Electro-Deposited Aluminum
N	Electroless Nickel
T	Nickel Teflon

10. Lead Length (inches)

1-	.109 ± .015
2-	.140 ± .015
3-	.172 ± .015
4-	.250 ± .015
F-	Non Standard Length
GOLD	
5-	.109 ± .015
6-	.140 ± .015
7-	.172 ± .015
8-	.250 ± .015
G-	Non Standard Length

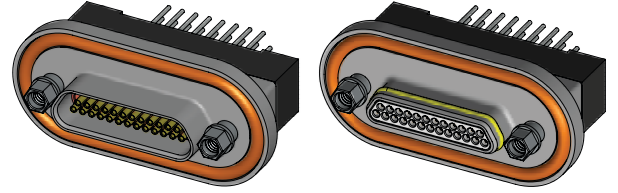
11. Non Standard Length

(0.109 < length < 1.00)
e.g. 125 = .125 inches

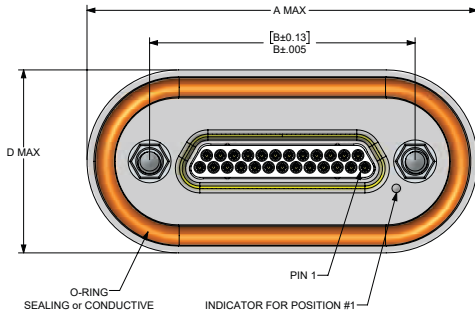
MICRO-D PCB O-RING CONNECTORS SERIES 107

C6/H6 Termination

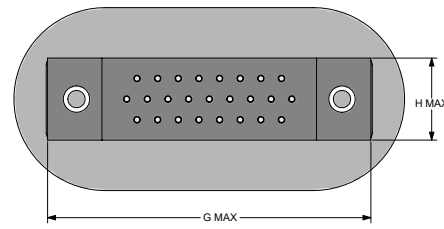
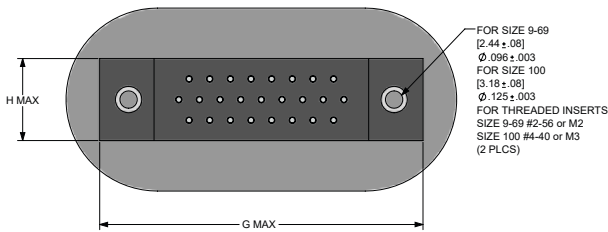
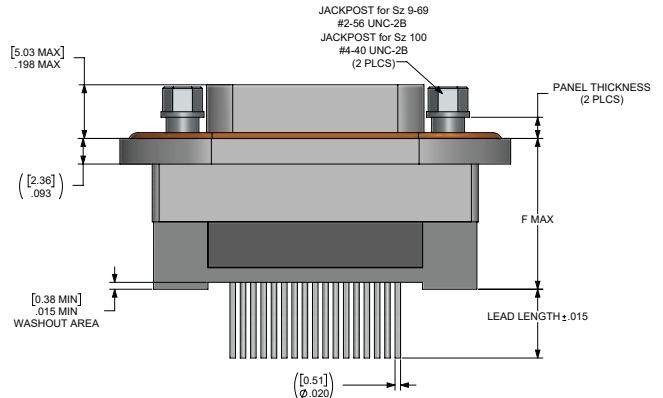
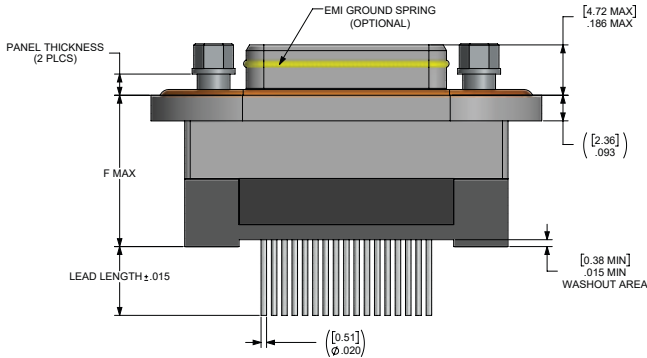
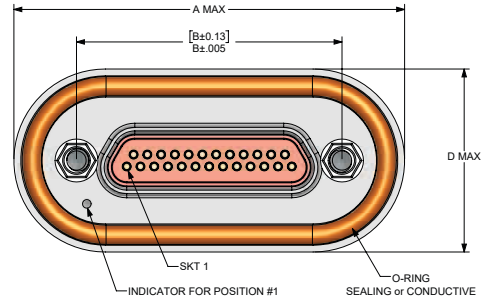
BOARD STRAIGHT CONNECTOR



PLUG



RECEPTACLE

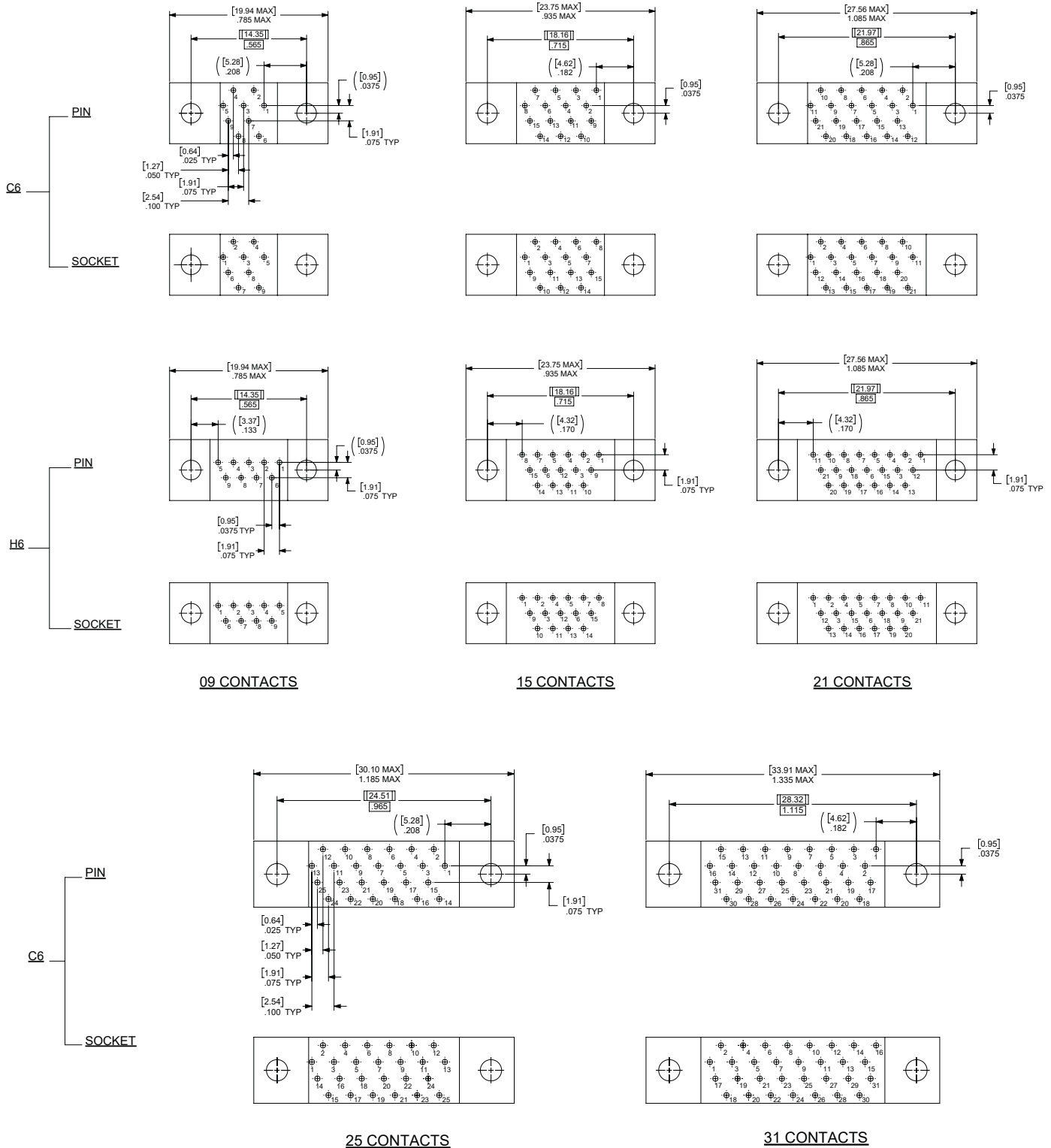


Dimensions are in inch(mm)

SIZE	A MAX	B ±.005 (0.13)	D MAX	F MAX	G MAX	H MAX
09	1.025 (26.04)	.565 (14.35)	.675 (17.14)	.570 (14.48)	.785 (19.94)	.310 (7.87)
15	1.225 (31.12)	.715 (18.16)			.935 (23.75)	
21	1.325 (33.66)	.865 (21.97)			1.085 (27.56)	
25	1.425 (36.20)	.965 (24.51)			1.185 (30.10)	
31	1.545 (39.24)	1.115 (28.32)			1.335 (33.91)	
37	1.725 (43.82)	1.265 (32.13)	.715 (18.16)		1.485 (37.72)	.400 (10.16)
51	1.695 (43.05)	1.215 (30.86)			1.435 (36.45)	
69	1.995 (50.67)	1.515 (38.48)			1.735 (44.07)	
100	2.375 (60.33)	1.800 (45.72)	.765 (19.43)	.630 (16.00)	2.170 (55.12)	.510 (12.95)

MICRO-D

C6 | H6 TERMINATION TYPE
VERTICAL MOUNT REAR VIEW



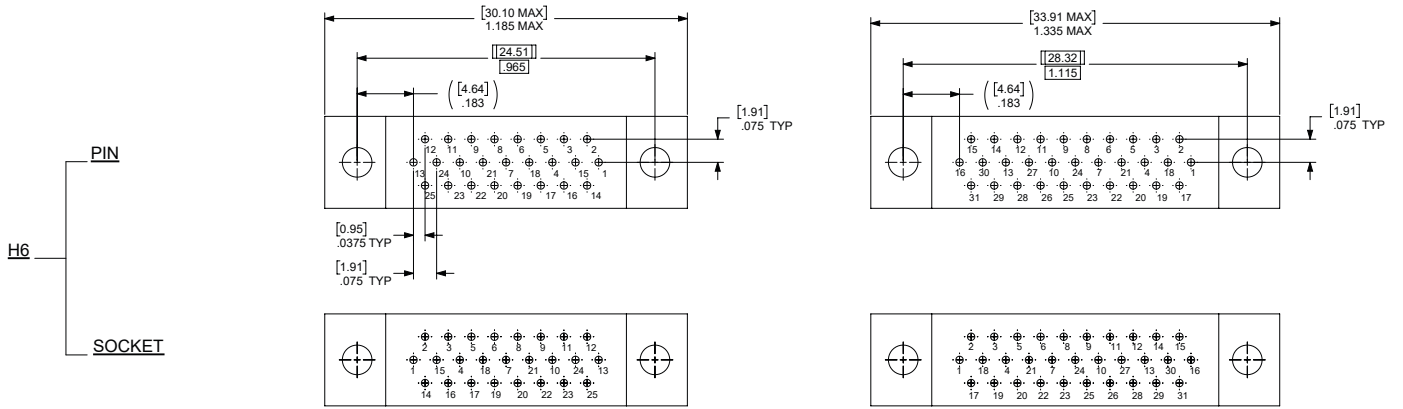
Cavity identification numbers are for reference only and does not appear on the connector.

MICRO-D PCB O-RING CONNECTORS

SERIES 107

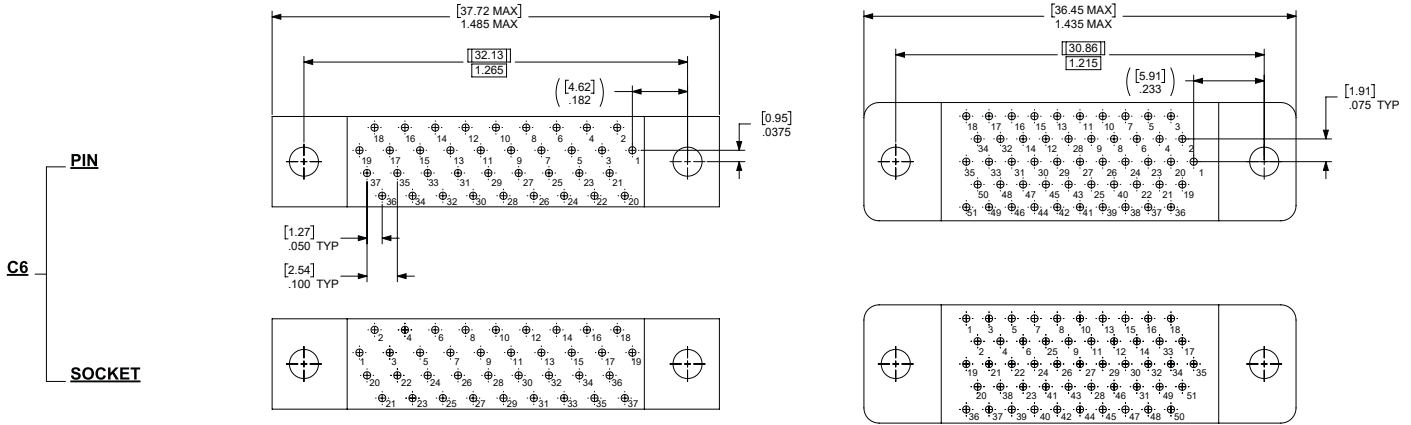
C6 | H6 TERMINATION TYPE VERTICAL MOUNT REAR VIEW

MICRO-D



25 CONTACTS

31 CONTACTS

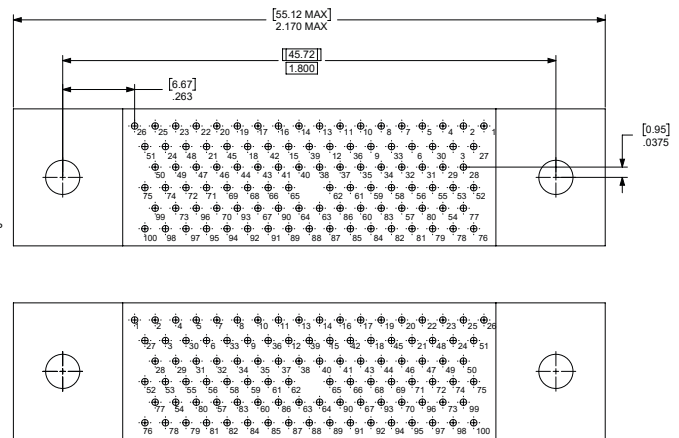
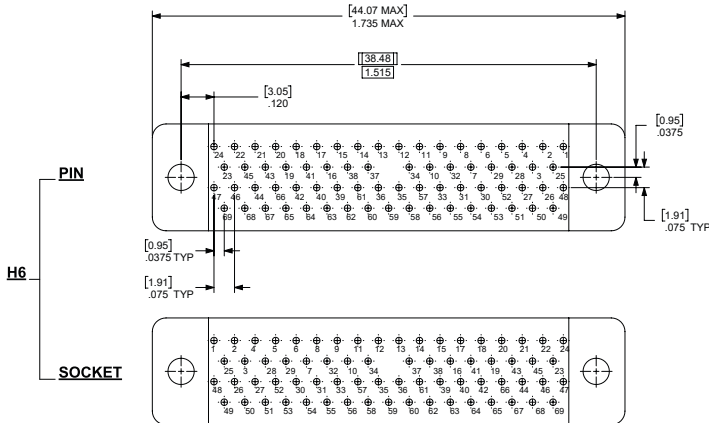
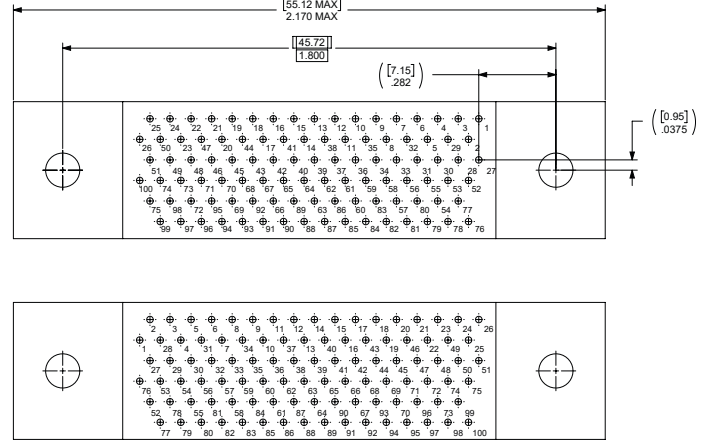
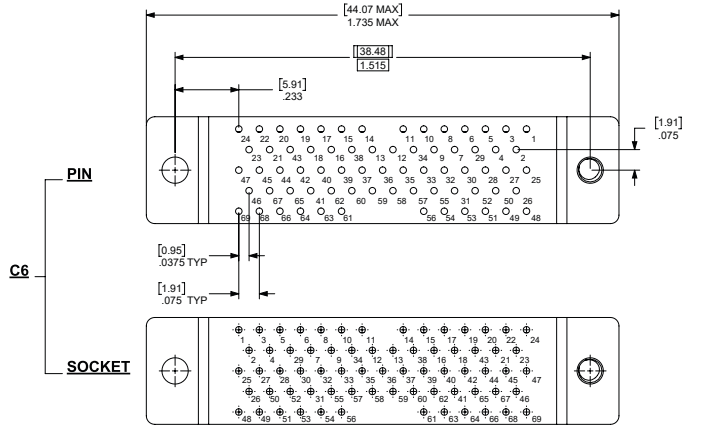


37 CONTACTS

51 CONTACTS

Cavity identification numbers are for reference only and does not appear on the connector.

C6 | H6 TERMINATION TYPE
VERTICAL MOUNT REAR VIEW



69 CONTACTS

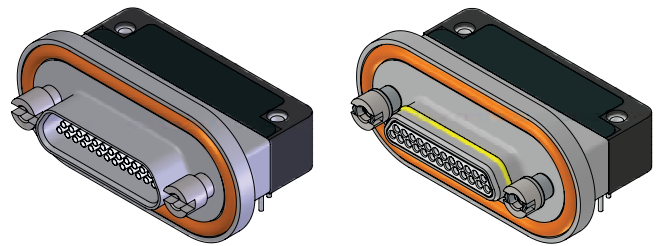
100 CONTACTS

Cavity identification numbers are for reference only and does not appear on the connector.

MICRO-D PCB O-RING CONNECTORS SERIES 107

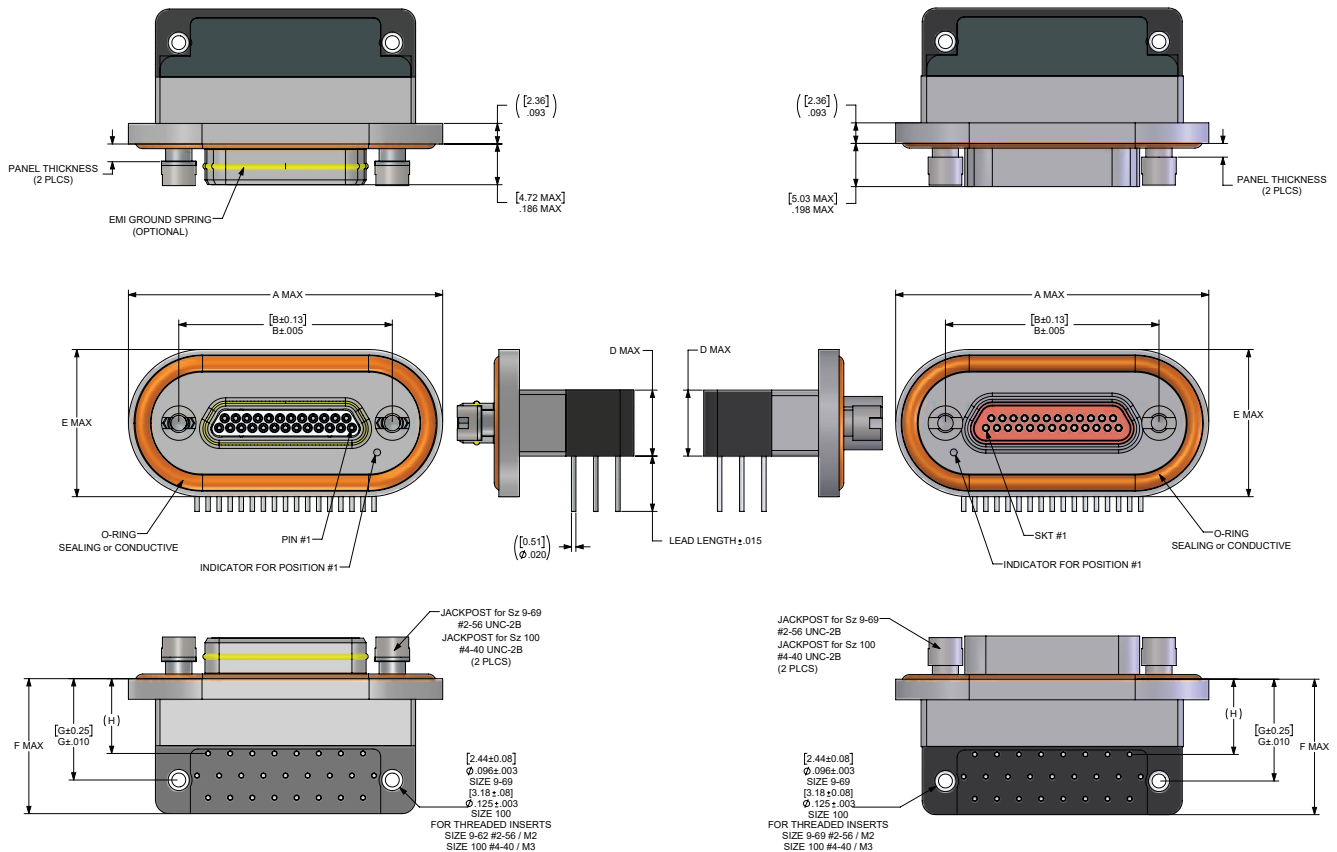
CBR/HBR Termination

BOARD RIGHT ANGLE CONNECTOR



PLUG

RECEPTACLE



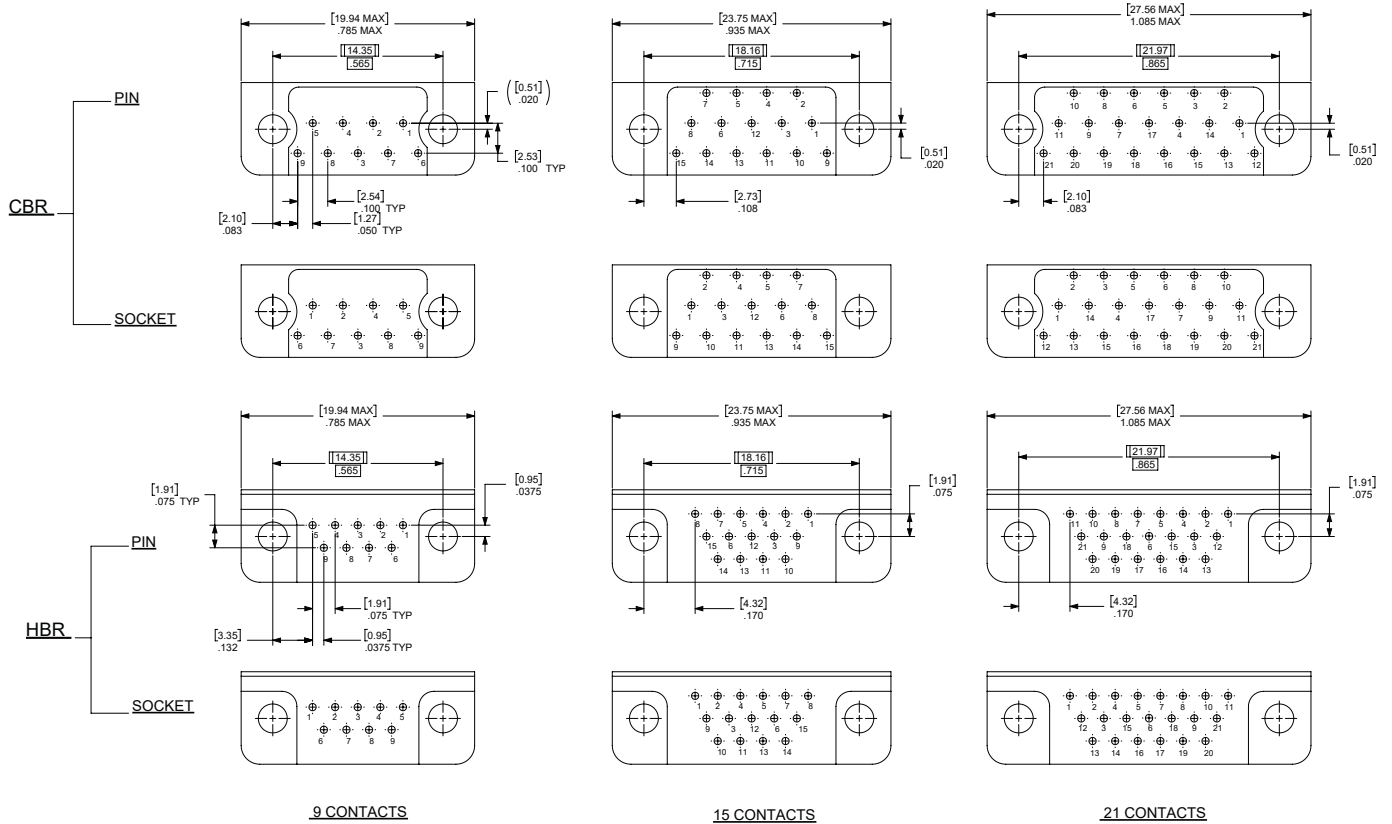
MICRO-D

Dimensions are in inch(mm)

SIZE	A MAX	B ±.005 (0.13)	D MAX	E MAX	F MAX		G ±.010 (0.25)	H REF.		
					CBR	HBR		CBR	HBR	
09	1.025 (26.04)	.565 (14.35)	.308 (7.82)	.675 (17.14)	.650 (16.51)	.650 (16.51)	.460 (11.68)	.440 (11.18)	.418 (10.62)	
15	1.225 (31.12)	.715 (18.16)						.750 (19.05)	.650 (16.51)	.340 (8.64)
21	1.325 (33.66)	.865 (21.97)			.900 (22.86)	.750 (19.05)				
25	1.425 (36.20)	.965 (24.51)						1.000 (25.40)	.900 (22.86)	.610 (15.49)
31	1.545 (39.24)	1.115 (28.32)	.394 (10.01)	.765 (19.43)	1.250 (31.75)	.900 (22.86)	.610 (15.49)	.410 (10.41)		
37	1.725 (43.82)	1.265 (32.13)							.355 (9.02)	.715 (18.16)
51	1.695 (43.05)	1.215 (30.86)	.394 (10.01)	.765 (19.43)	1.250 (31.75)	.900 (22.86)	.610 (15.49)	.410 (10.41)		
69	1.995 (50.67)	1.515 (38.48)							.394 (10.01)	.765 (19.43)
100	2.375 (60.33)	1.800 (45.72)	.394 (10.01)	.765 (19.43)	1.250 (31.75)	.900 (22.86)	.610 (15.49)	.410 (10.41)		

**CBR | HBR TERMINATION TYPE
RIGHT ANGLE (90 DEG) NARROW PROFILE PC CONFIGURATIONS**

.100 (2.54) x .100 (2.54) GRID PATTERN, OFFSET .050 (1.27)
.075 (1.91) x .075 (1.91) GRID PATTERN, OFFSET .0375 (.95)



Cavity identification numbers are for reference only and does not appear on the connector.

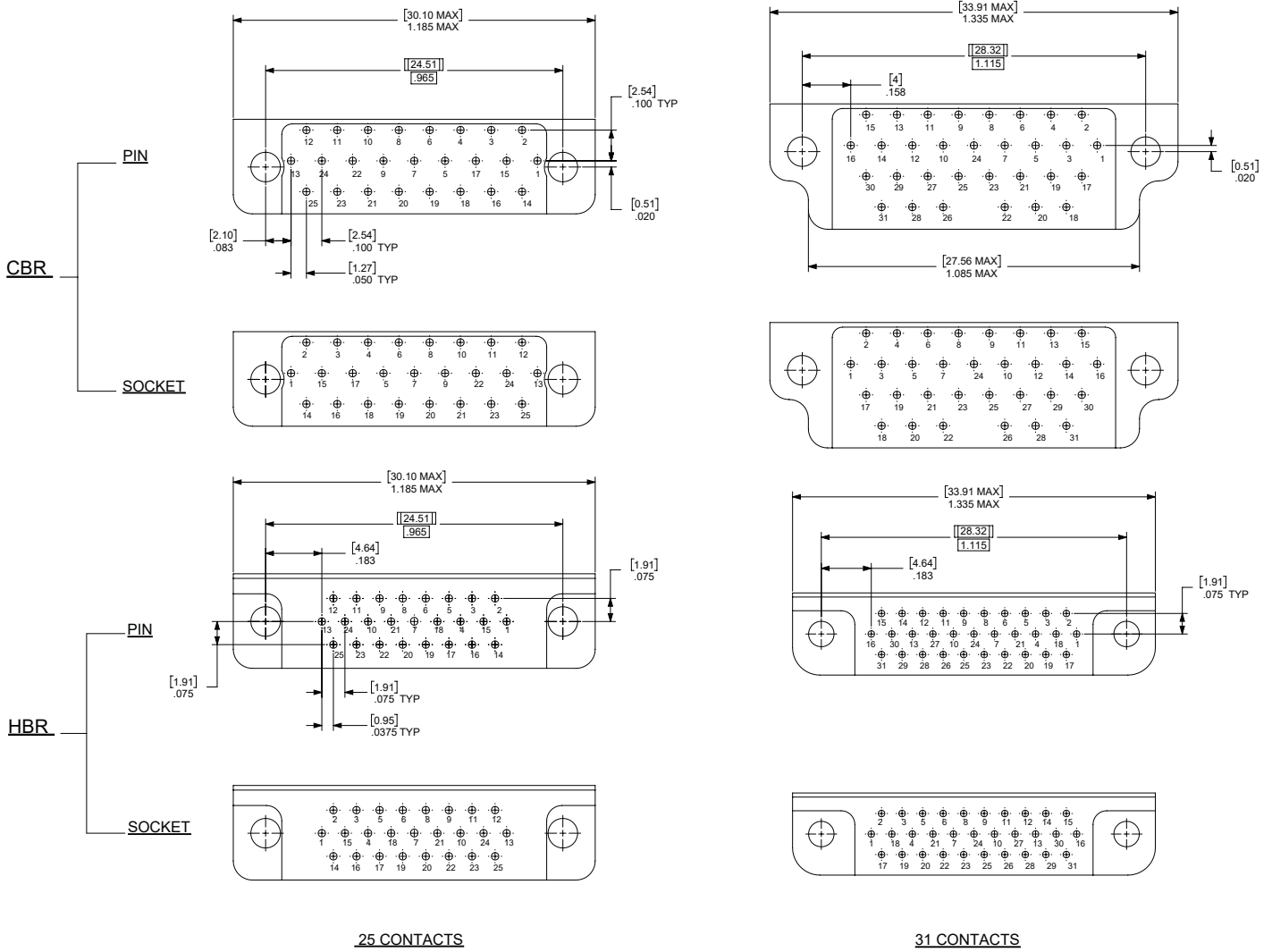
MICRO-D PCB O-RING CONNECTORS

SERIES 107

CBR | HBR TERMINATION TYPE RIGHT ANGLE (90 DEG) NARROW PROFILE PC CONFIGURATIONS

.100 (2.54) x .100 (2.54) GRID PATTERN, OFFSET .050 (1.27)
.075 (1.91) x .075 (1.91) GRID PATTERN, OFFSET .0375 (.95)

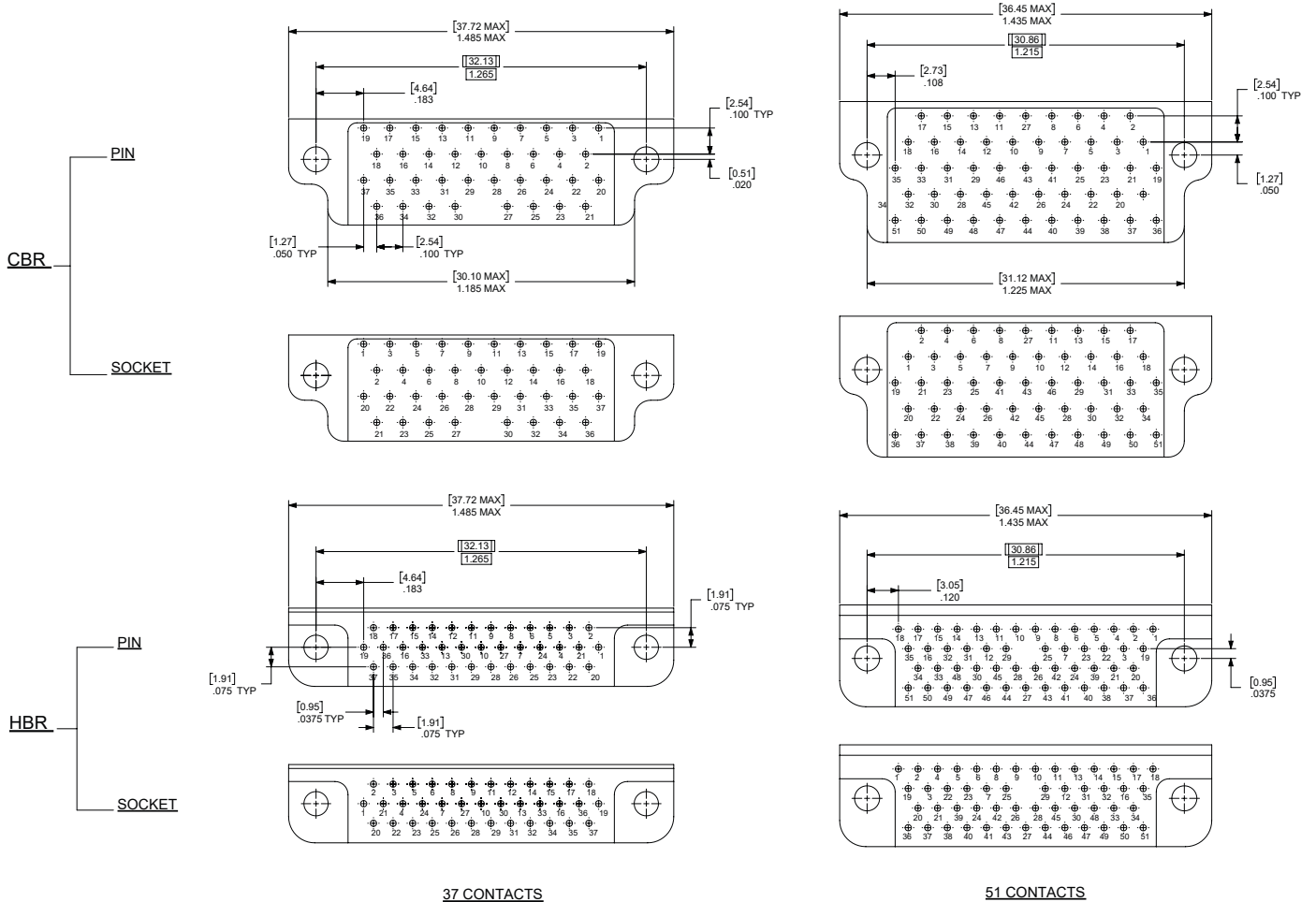
MICRO-D



Cavity identification numbers are for reference only and does not appear on the connector.

**CBR | HBR TERMINATION TYPE
RIGHT ANGLE (90 DEG) NARROW PROFILE PC CONFIGURATIONS**

.100 (2.54) x .100 (2.54) GRID PATTERN, OFFSET .050 (1.27)
.075 (1.91) x .075 (1.91) GRID PATTERN, OFFSET .0375 (.95)



Cavity identification numbers are for reference only and does not appear on the connector.

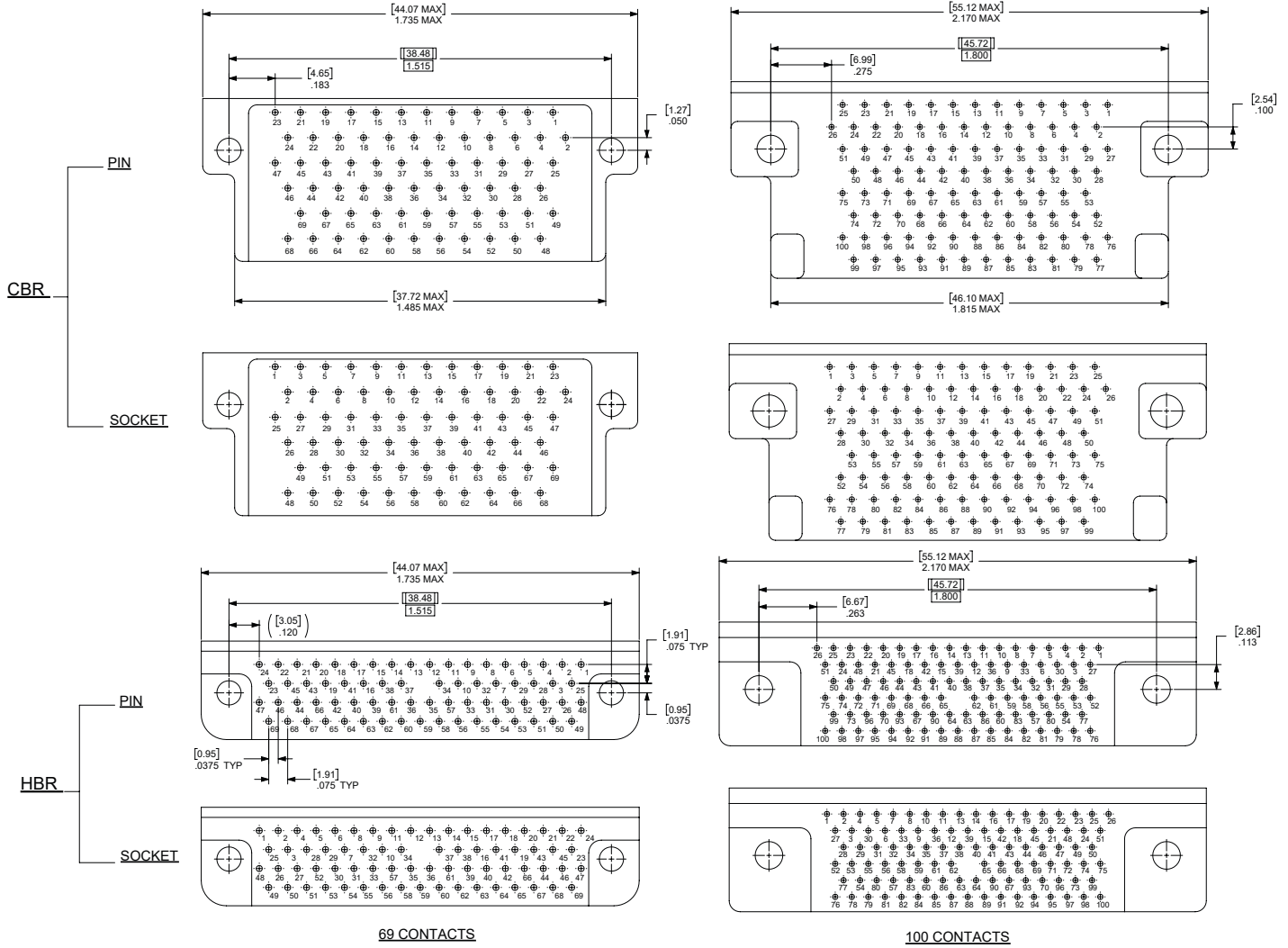
MICRO-D PCB O-RING CONNECTORS

SERIES 107

CBR | HBR TERMINATION TYPE RIGHT ANGLE (90 DEG) NARROW PROFILE PC CONFIGURATIONS

.100 (2.54) x .100 (2.54) GRID PATTERN, OFFSET .050 (1.27)
.075 (1.91) x .075 (1.91) GRID PATTERN, OFFSET .0375 (.95)

MICRO-D



Cavity identification numbers are for reference only and does not appear on the connector.

How to Order

FEATURES

- Polarization is reversed from series 107 CBR type connector.
- Solid copper 24 AWG PCB leads tin plated, and solder dipped.

1.	2.	3.	4.	5.	6.	7.	8.	9.	10.	11.
RoHS Compliance	Connector Series	Insulated Material	Shell Finish	Connector Size	Connector Type	Termination Type	Hardware (Pre-Installed)	Threaded Insert	Lead Length (inches)	Non Standard Length
	117	R	N	51	P-	CBR	PD	T	F-	125

1. RoHS Compliance

E	RoHS Compliant
	Blank for Non-RoHS

5. Connector Size (Number of Contacts)

09
15
21
25
31
37
51
69
100

9. Threaded Insert (Pre-Installed PCB Mounting Options)

	Omit for No threaded Insert
T	#2-56 Threaded Insert (Size 9-69)
U	#4-40 Threaded Insert (Size 100 Only)
V	M2 Threaded Insert (Size 9-69)
Z	M3 Threaded Insert (Size 100 Only)

11. Non Standard Length

(0.109 < length < 1.00)
e.g. 125 = .125 inches

2. Connector Series

117	Reversed Shell O-Ring
------------	-----------------------

6. Connector Type

S-	Receptacle (Socket)
P-	Plug (Pin)
G-	Plug (Pin) w/ EMI Ground Spring

7. Termination Type

CBR	Narrow Right Angle
HBR	High Density CBR

10. Lead Length (inches)

1-	.109 ± .015
2-	.140 ± .015
3-	.172 ± .015
4-	.250 ± .015
F-	Non Standard Length
GOLD	
5-	.109 ± .015
6-	.140 ± .015
7-	.172 ± .015
8-	.250 ± .015
G-	Non Standard Length

3. Insulated Material

	Polyphenylene Sulfide (Ryton)
R	Sealing O-Ring
C	Conductive O-Ring
H	Sealed to 10 ⁻⁵ CC/ATM (Air)

8. Hardware (Pre-Installed)

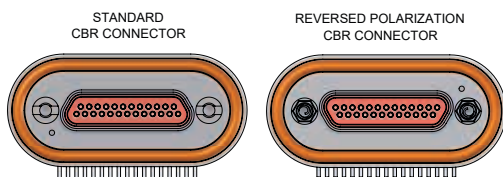
H	Threaded Insert (#2-56 for Size 9-69, #4-40 for Size 100)
D	Metric Threaded Mounting Hole M2 (Size 9-69), M3 (Size 100)
PA	Hex Head Rear Panel Mount Jackpost for .027" - .037" [.68mm - .94mm] Panel Thickness
PB	Hex Head RPM for .042" - .052" [1.06mm - 1.32mm] Panel Thickness
PC	Hex Head RPM for .057" - .067" [1.45mm - 1.70mm] Panel Thickness
PD	Hex Head RPM for .088" - .098" [2.24mm - 2.49mm] Panel Thickness
PE	Hex Head RPM for .075"-.085" [1.91mm -2.16mm] Panel Thickness
PF	Hex Head RPM for .120"-.130" [3.05mm - 3.30mm] Panel Thickness
PG	Hex Head RPM for .067"- .077" [1.70mm - 1.96mm] Panel Thickness
SA	Slot Head Rear Panel Mount Jackpost for .027" - .037" [.68mm - .94mm] Panel Thickness

4. Shell Finish

A	Anodize (Black)
B	Zinc Nickel (Black Chromate)
C	Cadmium (Yellow Chromate)
D	Olive Drab Cadmium
F	Chem Film
G	Gold
K	Zinc Nickel- 48 hrs
L	Pure Electro-Deposited Aluminum
N	Electroless Nickel
T	Nickel Teflon

8. Hardware (Pre-Installed)

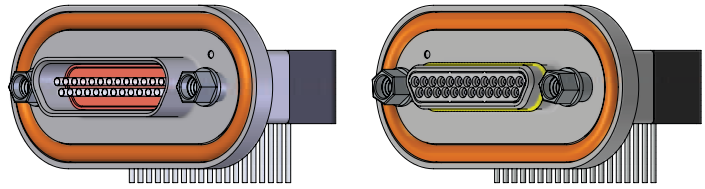
SB	Slot Head RPM for .042" - .052" [1.06mm - 1.32mm] Panel Thickness
SC	Slot Head RPM for .057" - .067" [1.45mm - 1.70mm] Panel Thickness
SD	Slot Head RPM for .088" - .098" [2.24mm - 2.49mm] Panel Thickness
SE	Slot Head RPM for .075"-.085" [1.91mm - 2.16mm] Panel Thickness
SF	Slot Head RPM for .120"-.130" [3.05mm - 3.30mm] Panel Thickness
SG	Slot Head RPM for .067"- .077" [1.70mm - 1.96mm] Panel Thickness



MICRO-D PCB O-RING CONNECTOR SERIES 117

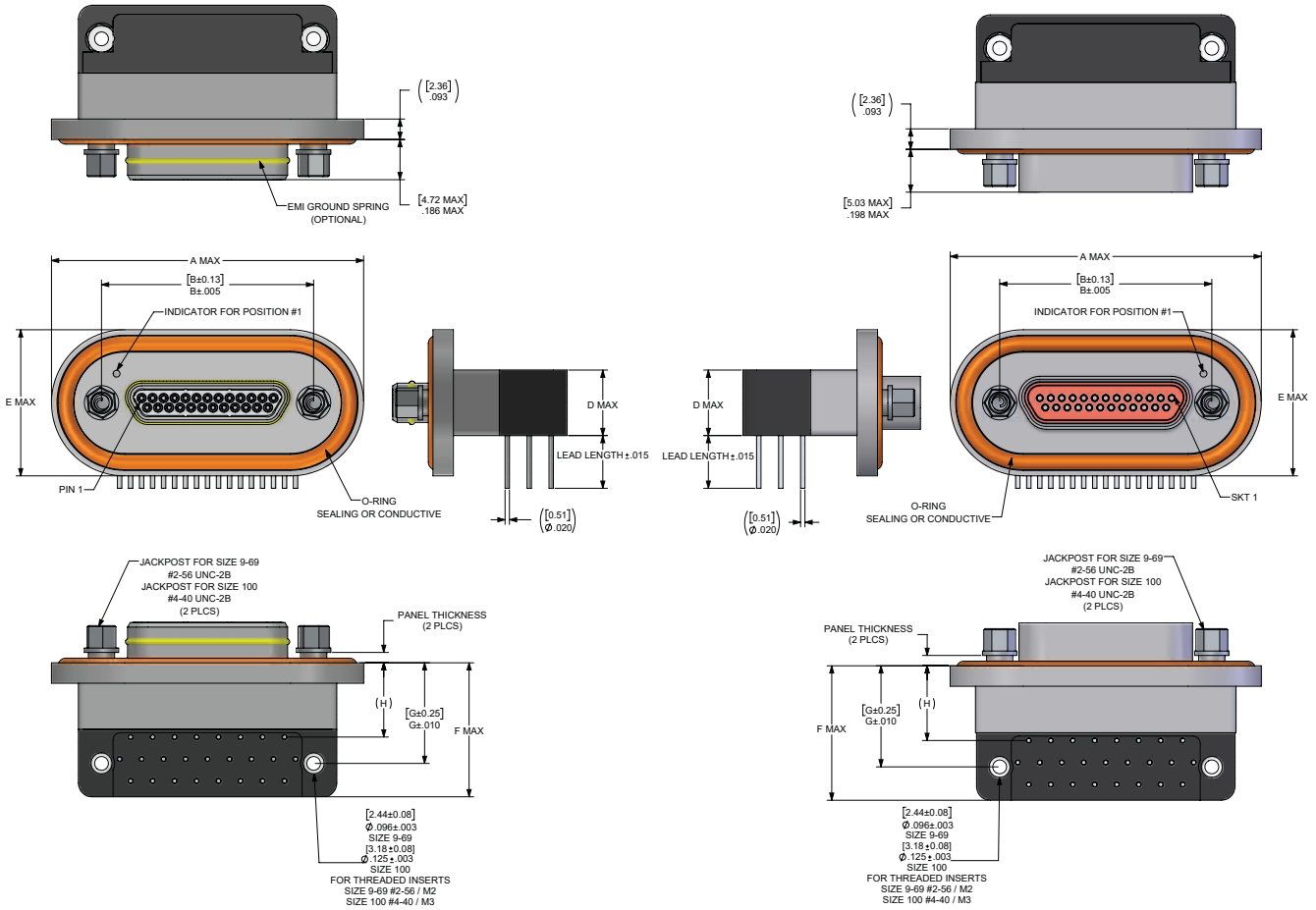
CBR Termination

REVERSED POLARIZATION



PLUG

RECEPTACLE



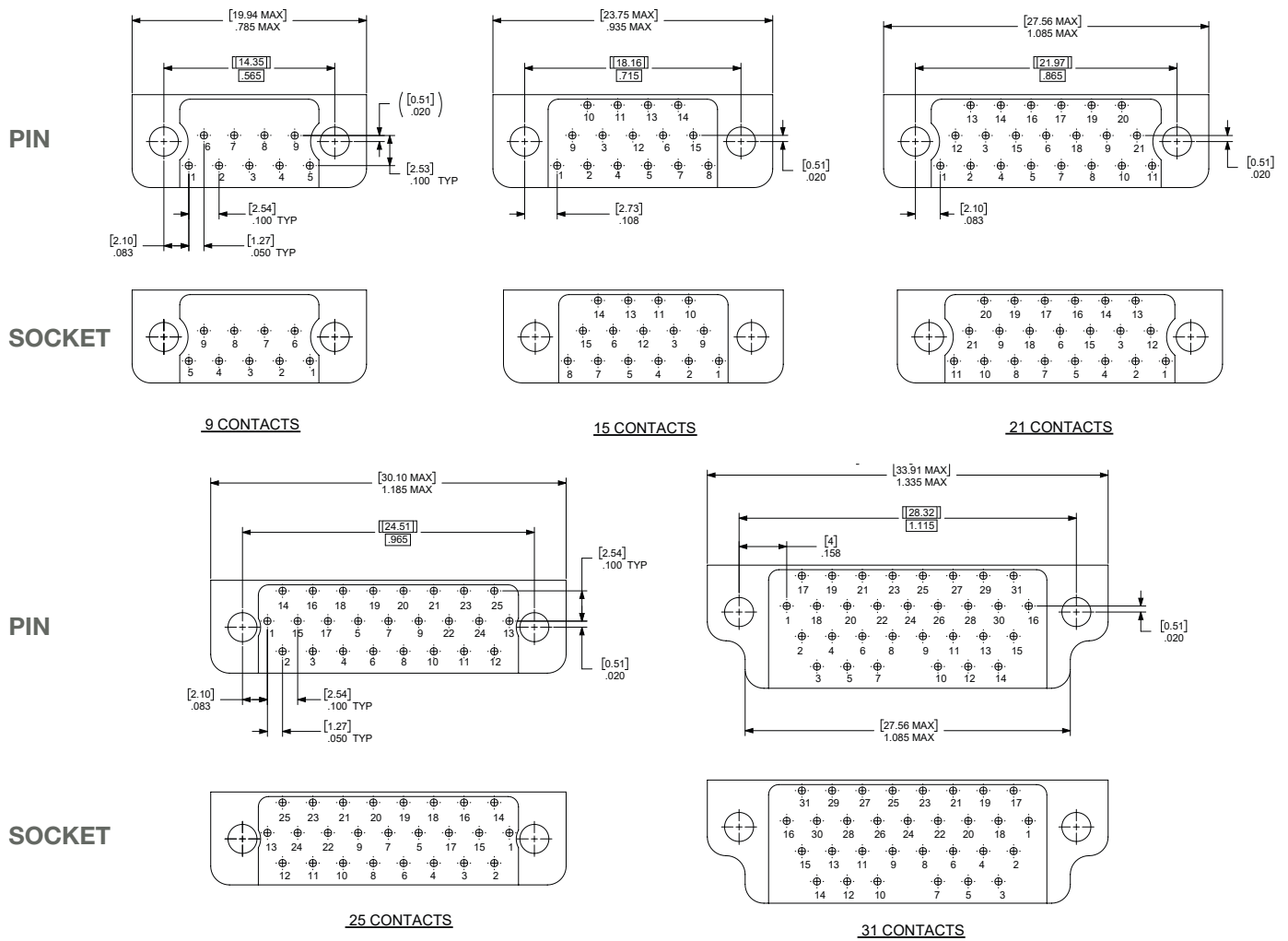
MICRO-D

Dimensions are in inch(mm)

SIZE	A MAX	B ±.005 (0.13)	D MAX	E MAX	F MAX		G ±.005 (0.13)	H ±.005 (0.13)	
					CBR	HBR		CBR	HBR
09	1.025 (26.04)	.565 (14.35)	.308 (7.82)	.675 (17.14)	.650 (16.51)	.650 (16.51)	.460 (11.68)	.440 (11.18)	.418 (10.62)
15	1.225 (31.12)	.715 (18.16)						.340 (8.64)	.380 (9.65)
21	1.325 (33.66)	.865 (21.97)			.750 (19.05)				
25	1.425 (36.20)	.965 (24.51)			.900 (22.86)	.750 (19.05)		.510 (12.95)	.360 (9.14)
31	1.545 (39.24)	1.115 (28.32)	.355 (9.02)	.715 (18.16)	1.000 (25.40)	.750 (19.05)	.510 (12.95)	.360 (9.14)	.398 (10.11)
37	1.725 (43.82)	1.265 (32.13)							
51	1.695 (43.05)	1.215 (30.86)							
69	1.995 (50.67)	1.515 (38.48)	.394 (10.01)	.765 (19.43)	1.250 (31.75)	.900 (22.86)	.610 (15.49)	.410 (10.41)	.423 (10.74)
100	2.375 (60.33)	1.800 (45.72)							

RIGHT ANGLE (90 DEG) NARROW PROFILE PC CONFIGURATION

.100 (2.54) x .100 (2.54) GRID PATTERN, OFFSET .050 (1.27)



Cavity identification numbers are for reference only and does not appear on the connector.

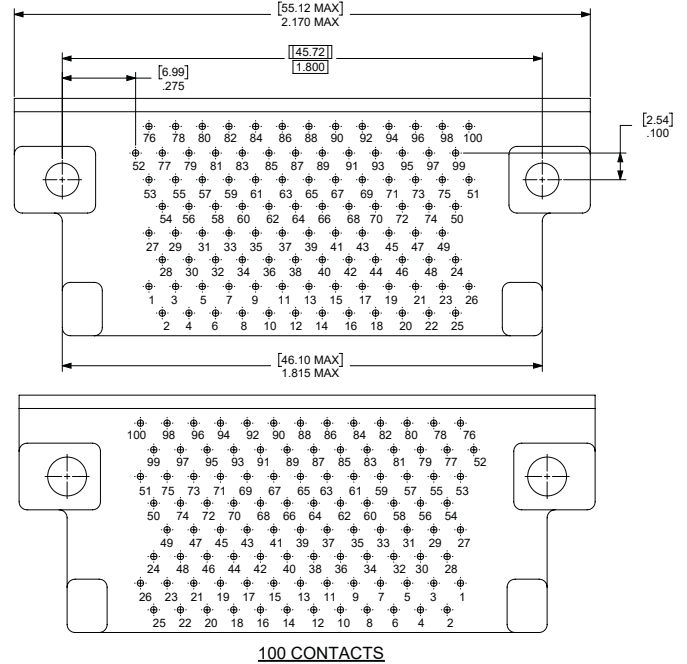
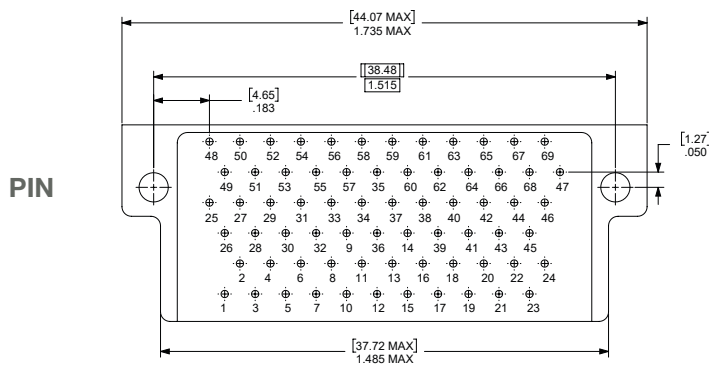
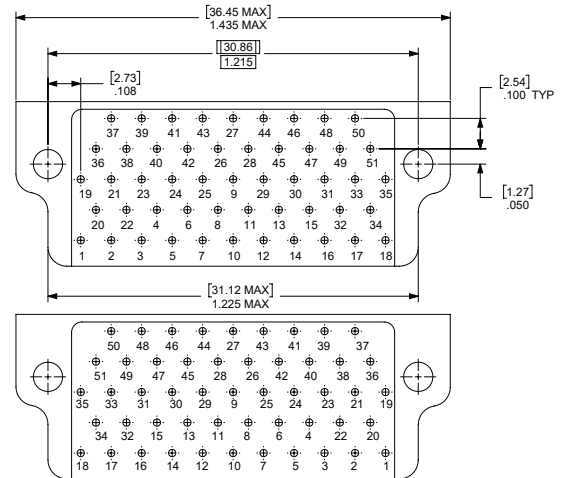
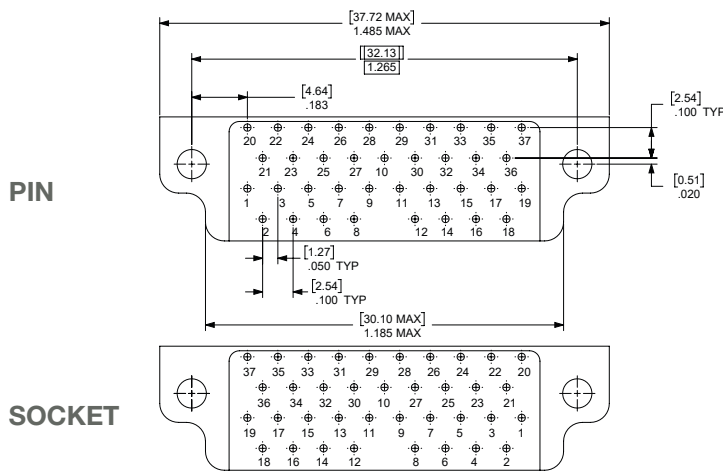
MICRO-D PCB O-RING CONNECTORS

SERIES 117

RIGHT ANGLE (90 DEG) NARROW PROFILE PC CONFIGURATION

.100 (2.54) x .100 (2.54) GRID PATTERN, OFFSET .050 (1.27)

MICRO-D



Cavity identification numbers are for reference only and does not appear on the connector.

MICRO-D RIGHT ANGLE WIRES CONNECTORS **Amphenol**CANADA

SERIES 115 & 116

How to Order

FEATURES

- Space saving right angle exit on either the long or short row
- Metal shells to provide RFI/EMI shielding
- Supplied pre-wired and fully potted

1.	2.	3.	4.	5.	6.	7.	8.	9.	10.	11.	12.
RoHS Compliance	Connector Series	Insulated Sealing Type	Shell Finish	Connector Size	Connector Type	Wire Size (AWG)	Wire Type	Wire Color/Finish	Wire Length	Hardware (Pre-Installed)	Non Standard Length
	115	R	N	15	P-	3	E	6	F	M2-	125

1. RoHS Compliance

E	RoHS Compliant
	Blank for Non-RoHS

5. Connector Size (Number of Contacts)

09
15
21
25
31
37
51
69
100

11. Hardware (Pre-Installed)

B-	Standard Mounting Holes
T-	Threaded Mounting Holes (#2-56 for Sz 9-39, #4-40 for Sz. 100)
D-	Metric Threaded Mounting Hole M2 (Size 9-69), M3 (Size 100)
P-	Jackpost
M2-	Low Profile Jackscrew, Allen Head
M3-	High Profile Jackscrew, Allen Head
M5-	Low Profile Jackscrew Allen Head
M6-	High Profile Jackscrew, Slot Head
L-	Captive Low Profile Jackscrew
K-	Captive High Profile Jackscrew
F-	Forward Float Mount
R-	Reverse Float Mount
PA	Hex Head Rear Panel Mount Jackpost for .027" - .037" [.68mm - .94mm] Panel Thickness

2. Connector Series

Metal Shell Per M83513 Right Angle Wire Series	
115	Exit to Short Row
116	Exit to Long Row

6. Connector Type

S-	Receptacle (socket)
-----------	---------------------

7. Wire Size (AWG)

3	28
4	26 (M835351 STD)
5	25 (Solid Wire Only)
6	24

11. Hardware (Pre-Installed)

PB	Hex Head RPM for .042" - .052" [1.06mm - 1.32mm] Panel Thickness
PC	Hex Head RPM for .057" - .067" [1.45mm - 1.70mm] Panel Thickness
PD	Hex Head RPM for .088" - .098" [2.24mm - 2.49mm] Panel Thickness
PE	Hex Head RPM for .075"-.085" [1.91mm -2.16mm] Panel Thickness
PF	Hex Head RPM for .120"-.130" [3.05mm - 3.30mm] Panel Thickness
PG	Hex Head RPM for .067"-.077" [1.70mm - 1.96mm] Panel Thickness
SA	Slot Head Rear Panel Mount Jackpost for .027" - .037" [.68mm - .94mm] Panel Thickness

3. Insulated Material

R	Polyphenylene Sulfide (Ryton)
----------	-------------------------------

8. Wire Type

GENERAL APPLICATIONS:

A	7 Strd. per NEMA-HP3 (MIL-W-16878/4)
B	7 Strd. per NEMA-HP3 (Formerly MIL-W-16878/6)
C	19 Strd. Per NEMA-HP3 (MIL-W-16878/4)
D	19 Strd. Per NEMA-HP3 (MIL-W-16878/6)

MILITARY/AEROSPACE:

E	Per MIL-W-22759/11 (M83513 Standard)
F	Per MIL-W-22759/33 (Space Grade)
L	Solid Wire Uninsulated
G	04035-26A

11. Hardware (Pre-Installed)

SB	Slot Head RPM for .042" - .052" [1.06mm - 1.32mm] Panel Thickness
SC	Slot Head RPM for .057" - .067" [1.45mm - 1.70mm] Panel Thickness
SD	Slot Head RPM for .088" - .098" [2.24mm - 2.49mm] Panel Thickness
SE	Slot Head RPM for .075"-.085" [1.91mm - 2.16mm] Panel Thickness
SF	Slot Head RPM for .120"-.130" [3.05mm - 3.30mm] Panel Thickness
SG	Slot Head RPM for .067"-.077" [1.70mm - 1.96mm] Panel Thickness

4. Shell Finish

A	Anodize (Black)
B	Zinc Nickel (Black Chromate)
C	Cadmium (Yellow Chromate)
D	Olive Drab Cadmium
G	Gold
K	Zinc Nickel- 48 hrs
N	Electroless Nickel
T	Nickel Teflon

9. Wire Color/Finish

1	All White (M83513-STD)
2	All Yellow
3	Solid Wire Uninsulated, Tin Plated
4	Solid Wire Uninsulated, Gold plated
5	Color Coded Per MIL-STD-68) System I
6	1st 10 Color Black thru White Related (M83513 Standard) *off shelf

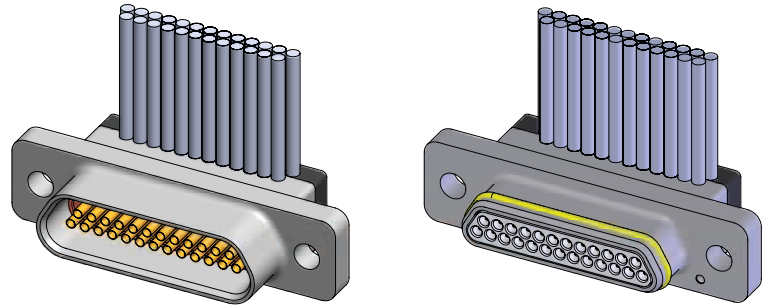
10. Wire Length (inches)

A	18.00 (+1.00/-0.00)
B	36.00 (+1.00/-0.00)
C	72.00 (+1.00/-0.00)
D	0.50 (Solid wire only +0.20/-0.00)
E	1.00 (Solid wire only +0.20/-0.00)
F	Non-Standard Length

12. Non Standard Length

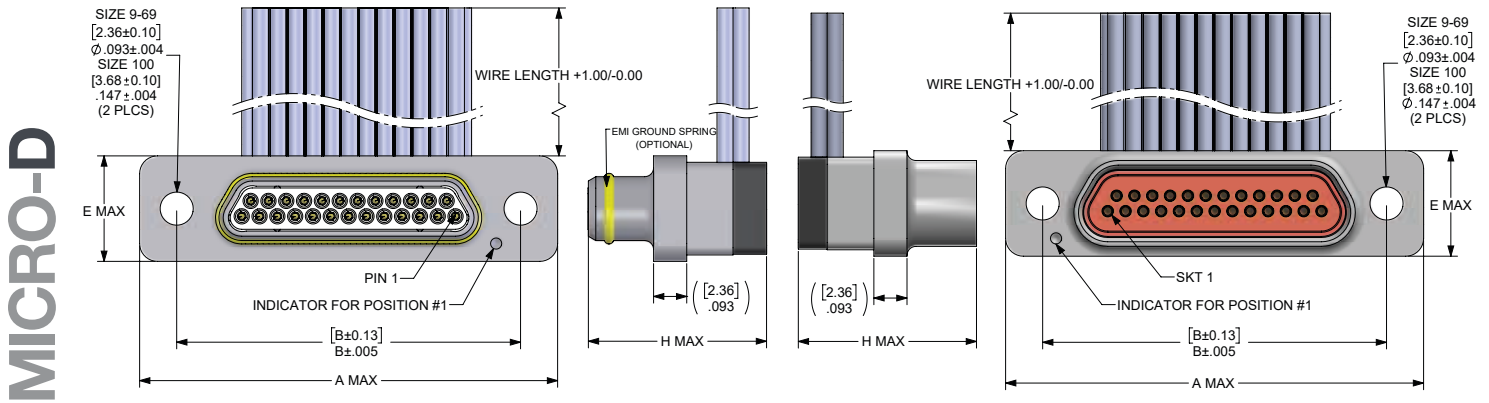
Stranded Wire Ex: 1 = 1.00", 100 = 100.00"
Solid Wire (.109" < Length < 1.00") EX: 110 = .110"

MICRO-D RIGHT ANGLE WIRES CONNECTORS SERIES 115 & 116



PLUG

RECEPTACLE



MICRO-D

Dimensions are in inch(mm)

SIZE	A MAX	B ± 0.005	E MAX	H MAX
09	.785 (19.94)	.565 (14.35)	.308 (7.82)	.500 (12.7)
15	.935 (23.75)	.715 (18.16)		
21	1.085 (27.56)	.865 (21.97)		
25	1.185 (30.10)	.965 (24.51)		
31	1.335 (33.91)	1.115 (28.32)		
37	1.485 (37.72)	1.265 (32.13)	.351 (8.92)	.530 (13.46)
51	1.435 (36.45)	1.215 (30.86)		
69	1.735 (44.07)	1.515 (38.48)		
100	2.170 (55.12)	1.800 (45.72)		

How to Order

FEATURES

- Fully intermateable with existing M83513 connectors
- 1-Piece construction
- Lower cost than traditional Micro-D + backshell
- Available in all standard wire options
- Identical electrical performance of conventional M83513 design

1.	2.	3.	4.	5.	6.	7.	8.	9.	10.	11.	12.
RoHS Compliance	Connector Series	Insulated Material	Shell Finish	Connector Size	Connector Type	Wire Size (AWG)	Wire Type	Wire Color/Finish	Wire Length	Hardware (Pre-Installed)	Non Standard Length
	119	R	N	21	S-	6	A	4	F	P-	10

1. RoHS Compliance

E	RoHS Compliant
	Blank for Non-RoHS

2. Connector Series

119	Integrated Backshell Series
------------	-----------------------------

3. Insulated Sealing Type

R	Polyphenylene Sulfide (Ryton)
----------	-------------------------------

4. Shell Finish

A	Anodize (Black)
C	Cadmium (Black Chromate)
G	Gold
K	Zinc Nickel- 48 hrs
N	Electroless Nickel
T	Nickel Teflon

5. Connector Size (Number of Contacts)

09
15
21
25
31
37
51
69
100

6. Connector Type

S-	Receptacle (Socket)
P-	Plug (Pin)
G-	Plug (Pin) w/ EMI Ground Spring

7. Wire Size (AWG)

4	26 (M835351 STD)
5	25 (Solid Wire Only)
6	24

8. Wire Type

GENERAL APPLICATIONS:

A	7 Strd. per NEMA-HP3 (MIL-W-16878/4)
B	7 Strd. per NEMA-HP3 (Formerly MIL-W-16878/6)
C	19 Strd. Per NEMA-HP3 (MIL-W-16878/4)
D	19 Strd. Per NEMA-HP3 (MIL-W-16878/6)

MILITARY/AEROSPACE:

E	Per MIL-W-22759/11 (M83513 Standard)
F	Per MIL-W-22759/33 (Space Grade)
L	Solid Wire Uninsulated
G	04035-26A

9. Wire Color/Finish

1	All White (M83513-STD)
2	All Yellow
3	Solid Wire Uninsulated, Tin Plated
4	Solid Wire Uninsulated, Gold plated
5	Color Coded Per MIL-STD-681 System 1
6	1st 10 Color Black thru White Repeated (M83513 Standard)* off shelf

10. Wire Length (Inches)

A	18.00 (+1.00/-0.00)
B	36.00 (+1.00/-0.00)
C	72.00 (+1.00/-0.00)
D	.500 (Solid wire only +0.20/-0.00)
E	1.00 (Solid wire only +0.20/-0.00)
F	Non-Standard Length

11. Hardware (Pre-Installed)

B-	Standard Mounting Holes
P-	Jackpost
M2-	Hex Head Jackscrew
M5-	Slot Head Jackscrew

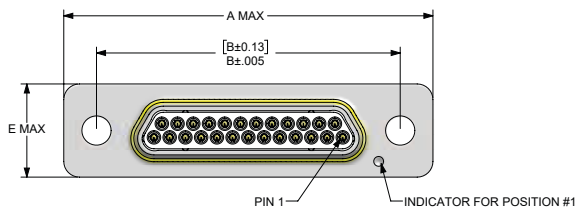
12. Non Standard Length

Stranded Wire Ex: 1 = 1.00", 100 = 100.00"
Solid Wire (.109" < Length < 1.00")
EX: 110 = .110"

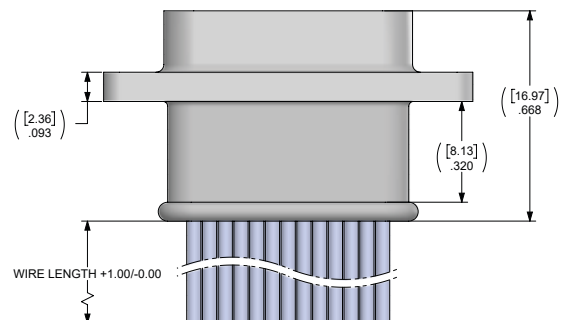
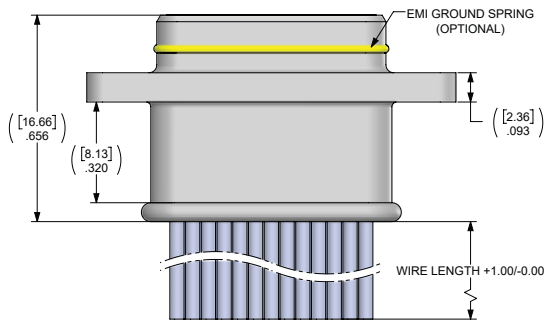
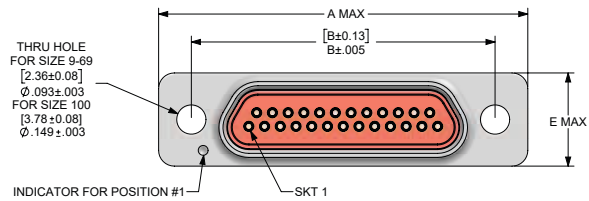
MICRO-D INTEGRATED BACKSHELL CONNECTORS SERIES 119



PLUG



RECEPTACLE



MICRO-D

Dimensions are in inch(mm)

SIZE	A MAX	B ± 0.005	E MAX
09	.785 (19.94)	.565 (14.35)	.308 (7.82)
15	.935 (23.75)	.715 (18.16)	
21	1.085 (27.56)	.865 (21.97)	
25	1.185 (30.10)	.965 (24.51)	
31	1.335 (33.91)	1.115 (28.32)	
37	1.485 (37.72)	1.265 (32.13)	.351 (8.92)
51	1.435 (36.45)	1.215 (30.86)	
69	1.735 (44.07)	1.515 (38.48)	
100	2.170 (55.12)	1.800 (45.72)	

How to Order

FEATURES

- One piece Ryton insulator
- Copper alloy, gold plated contacts (1-30 positions)
- 300 series stainless steel guide pin (optional, one or both ends)
- Coupling feature: Friction
- .050" (1.27) pitch contact spacing

1.	2.	3.	4.	5.	6.	7.	8.	9.	10.
Connector Series	Insulated Material	Number of Contacts	Connector Type	Wire Size	Wire Type	Wire Color/ Finish	Wire Length	Ground Pin	Non Standard Length
105	R	09	P-	3	A	1	A	2-	20

1. Connector Series	
105	Strip Connector

2. Insulated Material	
R	Polyphenylene Sulfide (Ryton)

3. Number of Contacts	
1 to 30	No Guide Pins
1 to 29	Guide Pin on One End
1 to 28	Guide Pin on Both Ends

4. Connector Type	
P-	Plug (Pins)
S-	Receptacle (Socket)

5. Wire Size	
	Omit for Solder Cup
1	32
2	30
3	28
4	26 (Stranded)
5	25 (Solid Uninsulated)
6	24

6. Wire Type	
	Omit for Solder Cup
NAVAL APPLICATIONS:	
A	7 Strd. per NEMA-HP3 (MIL-W-16878/4)
B	7 Strd. per NEMA-HP3 (Formerly MIL-W-16878/6)
C	19 Strd. Per NEMA-HP3 (MIL-W-16878/4)
D	19 Strd. Per NEMA-HP3 (MIL-W-16878/6)
MILITARY/AEROSPACE:	
E	Per MIL-W-22759/11 (M83513 Standard)
F	Per MIL-W-22759/33 (Space Grade)
L	Solid Wire Uninsulated

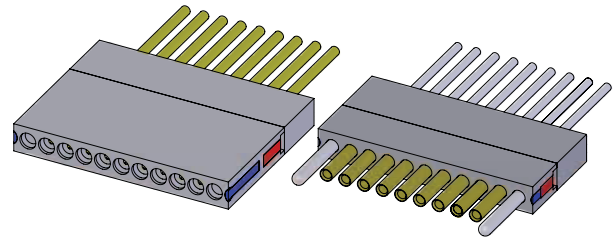
7. Wire Color / Finish	
	Omit for Solder Cup
1	All White (M83513 Standard) *Off Shelf
2	All Yellow
3	Solid Wire Uninsulated, Tin Plated
4	Solid Wire Uninsulated, Gold Plated
5	Color coded per Mil-Standard-681, System 1
6	1st 10 Colors black thru white, repeated (M83513 Standard) *Off shelf

8. Wire Length (Inches)	
	Omit for Solder Cup
A	.18.00 (+1.00/ -0.00)
B	.36.00 (+1.00/ -0.00)
C	.72.00 (+1.00/ -0.00)
D	0.500 (+0.20/-0.00 Solid Wire Only)
E	1.00 (+0.20/-0.00 Solid Wire Only)
F	Non-Standard Length

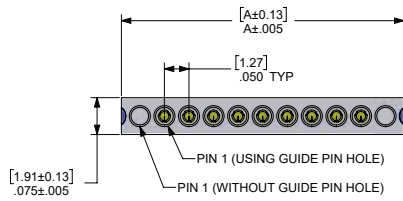
9. Guide Pin	
	Guide Pin for Receptacle Guide, Pin Hole For Plug
	Omit for no guide pin
1-	One End
2-	Both End

10. Non Standard Length (Inches)	
	Stranded Wire (No Decimal Values) e.g. 1=1 inch, 100=100 inches
	Solid Wire (0.109 < length < 1.00) e.g. 110 = .110 inches, 999=.999 inches

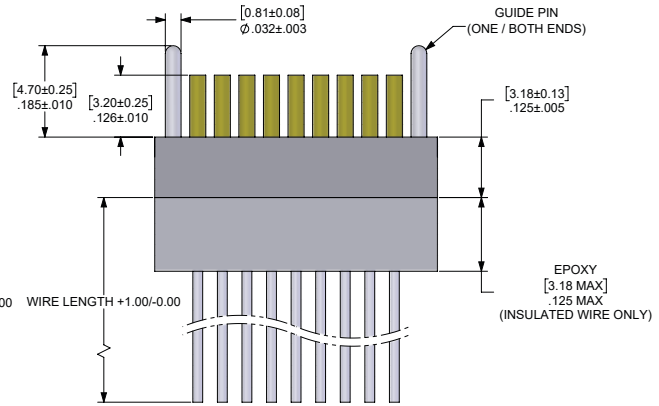
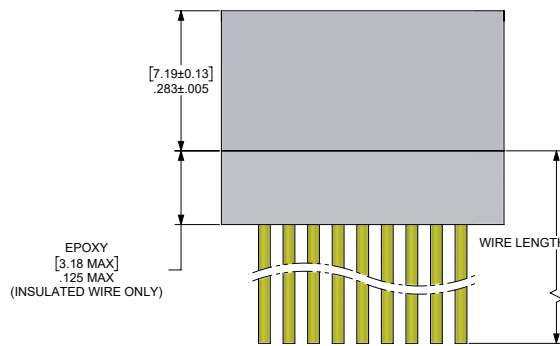
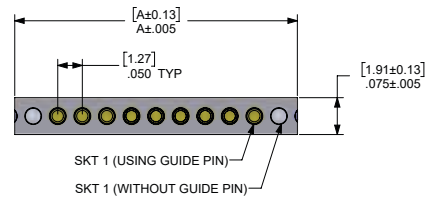
MICRO-D STRIP CONNECTORS SERIES 105



PLUG



RECEPTACLE



MICRO-D

Dimensions are in inch(mm)

SIZE	A ±.005 (0.13)
01	.075 (1.91)
02	.125 (3.18)
03	.175 (4.45)
04	.225 (5.72)
05	.275 (6.99)
06	.325 (8.26)
07	.375 (9.53)
08	.425 (10.80)
09	.475 (12.07)
10	.525 (13.34)
11	.575 (14.61)
12	.625 (15.88)
13	.675 (17.15)
14	.725 (18.42)
15	.775 (19.69)

SIZE	A ±.005 (0.13)
16	.825 (20.96)
17	.875 (22.23)
18	.925 (23.50)
19	.975 (24.77)
20	1.025 (26.04)
21	1.075 (27.31)
22	1.125 (28.58)
23	1.175 (29.85)
24	1.225 (31.12)
25	1.275 (32.39)
26	1.325 (33.66)
27	1.375 (34.93)
28	1.425 (36.20)
29	1.475 (37.47)
30	1.525 (38.74)

How to Order

FEATURES

- Designed for a space conscious industry.
- Provides an extremely dense and reliable interconnection for card-to-card and card-to-cable applications.
- Connector performance per M83513 specifications.
- Available in vertical mount for thru-hole applications and wire harness termination styles for both plug and receptacle.
- Wide selection of wire sizes (24 thru 30).
- Shell employs a polarizing “D” shape for correct mating.

1.	2.	3.	4.	5.	6.	7.	8.	9.	10.
RoHS Compliance	Connector Series	Insulated Material	Shell Finish	Connector Size	Connector Type	Termination Type	Wire Type	Wire Color/Finish	Wire Length
	106	R	N	120	P-	4	A	1-	120

1. RoHS Compliance	
E	RoHS Compliant
	Blank for Non-RoHS

2. Connector Series	
106	Hi-Density Card Connector

3. Insulator Material	
R	Polyphenylene Sulfide (Ryton)

4. Shell Finish	
A	Anodize (Black)
C	Cadmium (Black Chromate)
G	Gold
I	Iridite/alodine
N	Electroless Nickel
T	Nickel Teflon

5. Connector Size (Number of Contacts)	
50	104
54	112
58	120
62	128
66	136
70	144
74	152

6. Connector Type	
P-	Plug (Pin)
S-	Receptacle (Socket)

7. Termination Type	
WIRE HARNESS (WIRE SIZE AWG)	
2	30
3	28
4	26 (M83513 Standard) *off shelf
6	24
VERTICAL PCB MOUNT	
BS	Straight PCB Termination

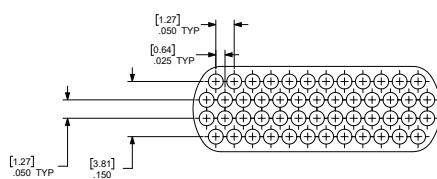
8. Wire Type	
GENERAL APPLICATIONS:	
A	7 Strd. per NEMA-HP3 (MIL-W-16878/4)
B	7 Strd. per NEMA-HP3 (Formerly MIL-W-16878/6)
C	19 Strd. Per NEMA-HP3 (MIL-W-16878/4)
D	19 Strd. Per NEMA-HP3 (MIL-W-16878/6)

9. Wire Color / Finish	
1-	All White (M83513 Standard) *Off Shelf
2-	All Yellow
6-	1st 10 Colors black thru white, repeated (M83513 Standard) Off shelf

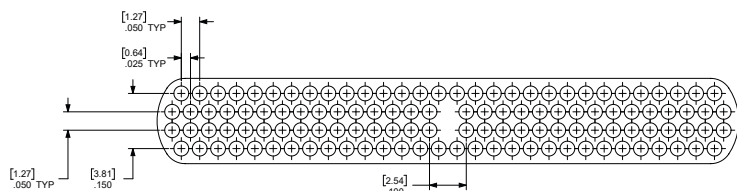
10. Wire Length	
(Inches +1.00/-0.00) e.g. 1 = .1 inches, -100= 100 inches	

Note: Omit all wire specifications for PCB termination

CONTACT ARRANGEMENT



SIZE 50-74



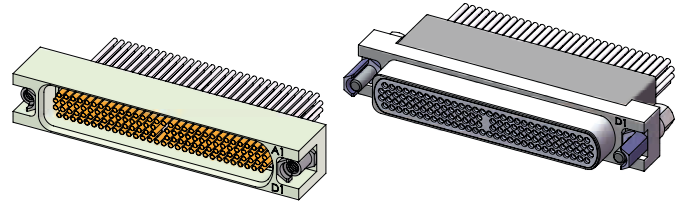
SIZE 104-152

MICRO-D HI-DENSITY CARD CONNECTORS

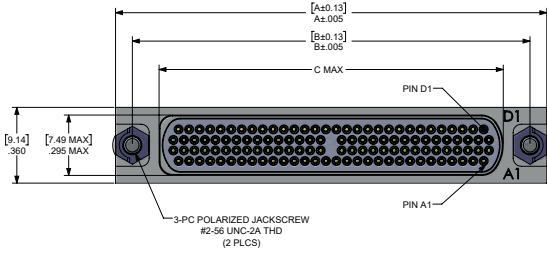
SERIES 106

Wire Harness

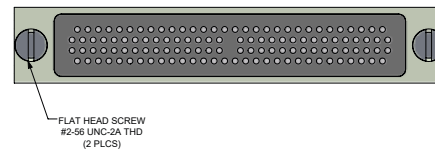
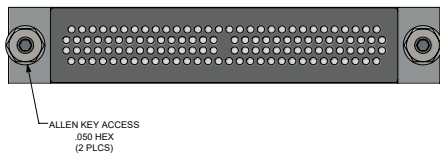
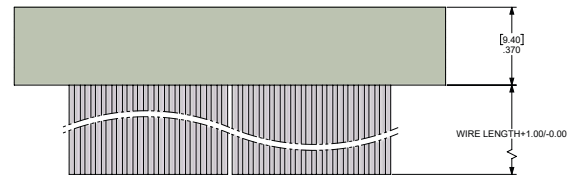
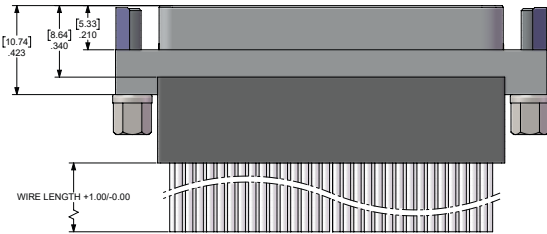
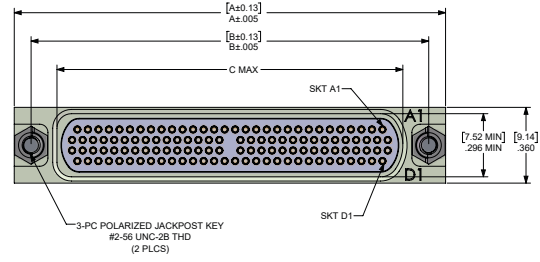
STRANDED WIRE TERMINATION



PLUG



RECEPTACLE



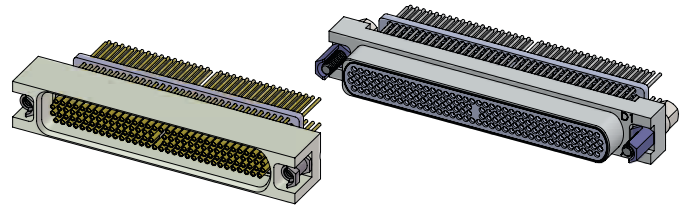
MICRO-D

Dimensions are in inch(mm)

SIZE	A ± 0.005 (0.13)	B ± 0.005 (0.13)	C MAX	
			PLUG	RCPT
50	1.150 (29.21)	.990 (24.15)	.741 (18.82)	.747 (18.97)
54	1.200 (30.48)	1.04 (26.42)	.791 (20.09)	.797 (20.24)
58	1.250 (31.75)	1.090 (27.69)	.841 (21.36)	.847 (21.51)
62	1.300 (33.02)	1.140 (28.96)	.891 (22.63)	.897 (22.78)
66	1.350 (34.29)	1.190 (30.23)	.941 (23.90)	.947 (24.05)
70	1.400 (35.56)	1.240 (31.50)	.991 (25.17)	.997 (25.32)
74	1.450 (36.83)	1.290 (32.77)	1.041 (26.44)	1.047 (26.59)
104	1.850 (46.99)	1.690 (42.93)	1.441 (36.60)	1.447 (36.75)
112	1.950 (49.53)	1.790 (45.47)	1.541 (39.14)	1.547 (39.29)
120	2.050 (52.07)	1.890 (48.01)	1.641 (41.68)	1.647 (41.83)
128	2.150 (54.61)	1.990 (50.55)	1.741 (44.22)	1.747 (44.37)
136	2.250 (57.15)	2.090 (53.09)	1.841 (46.76)	1.847 (46.91)
144	2.350 (59.69)	2.190 (55.63)	1.941 (49.30)	1.947 (49.45)
152	2.450 (62.23)	2.290 (58.17)	2.041 (51.84)	2.047 (51.99)

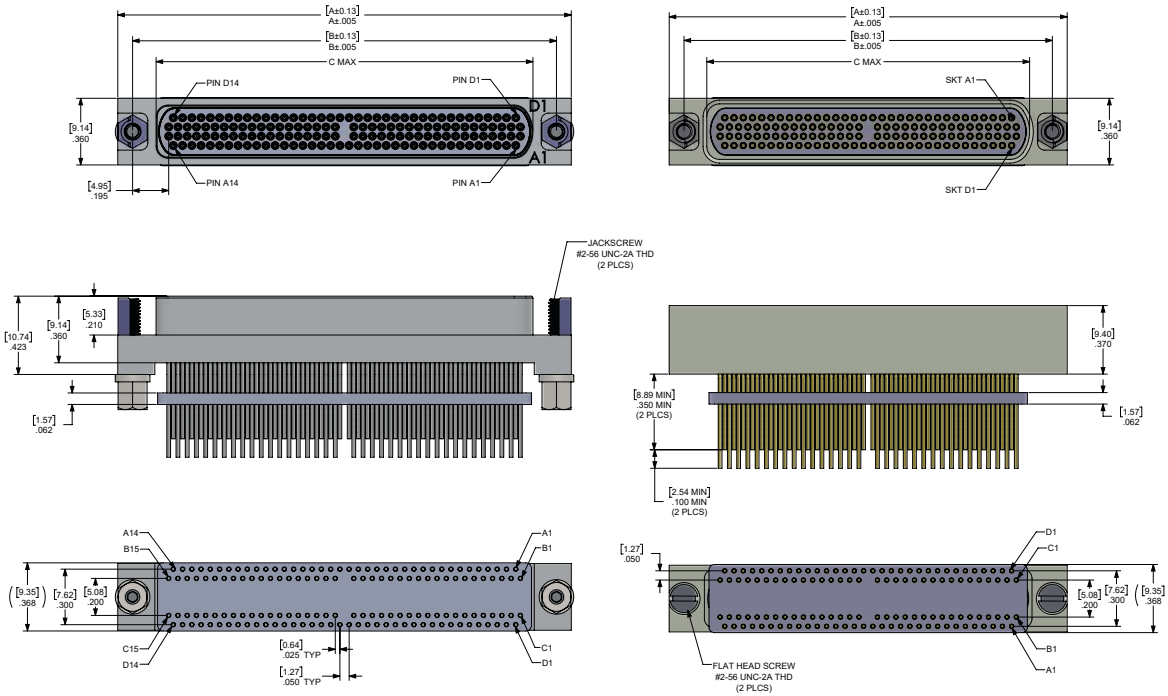
Vertical PCB Mount

24 AWG WIRE, TIN DIPPED



PLUG

RECEPTACLE



Dimensions are in inch(mm)

SIZE	A ±.005 (0.13)	B ±.005 (0.13)	C MAX	
			PLUG	RCPT
50	1.150 (29.21)	.990 (24.15)	.741 (18.82)	.747 (18.97)
54	1.200 (30.48)	1.04 (26.42)	.791 (20.09)	.797 (20.24)
58	1.250 (31.75)	1.090 (27.69)	.841 (21.36)	.847 (21.51)
62	1.300 (33.02)	1.140 (28.96)	.891 (22.63)	.897 (22.78)
66	1.350 (34.29)	1.190 (30.23)	.941 (23.90)	.947 (24.05)
70	1.400 (35.56)	1.240 (31.50)	.991 (25.17)	.997 (25.32)
74	1.450 (36.83)	1.290 (32.77)	1.041 (26.44)	1.047 (26.59)
104	1.850 (46.99)	1.690 (42.93)	1.441 (36.60)	1.447 (36.75)
112	1.950 (49.53)	1.790 (45.47)	1.541 (39.14)	1.547 (39.29)
120	2.050 (52.07)	1.890 (48.01)	1.641 (41.68)	1.647 (41.83)
128	2.150 (54.61)	1.990 (50.55)	1.741 (44.22)	1.747 (44.37)
136	2.250 (57.15)	2.090 (53.09)	1.841 (46.76)	1.847 (46.91)
144	2.350 (59.69)	2.190 (55.63)	1.941 (49.30)	1.947 (49.45)
152	2.450 (62.23)	2.290 (58.17)	2.041 (51.84)	2.047 (51.99)

MICRO-D SURFACE MOUNT CONNECTORS

SERIES SMT

How to Order

FEATURES

- Supplied fully potted
- Available in sizes 09 to 51 with two contact rows

1.	2.	3.	4.	5.	6.	7.	8.
RoHS Compliant	Connector Series	Insulator Material	Shell Finish	Connector Size	Connector Type	Termination	Hardware
	100	R	N	09	P	VM	P

MICRO-D

1. Environmental	
E	RoHS Compliant
	Blank for Non-RoHS

2. Connector Series	
100	Metal Shell per M83513
104	Stainless Steel per M83513

3. Insulator Material	
R	Ryton (Polyphenylene Sulfide)

4. Shell Finish	
A	Anodized (Black)
B	Zinc Nickel (Black Chromate)
C	Cadmium (Yellow Chromate)
D	Olive Drab Cadmium
F	Chem Film
N	Electroless Nickel
G	Gold
K	Zinc Nickel- 48 hrs
L	Pure Electro-deposited Aluminum
T	Nickel Teflon

5. Connector Size (Number of Contacts)	
	09
	15
	21
	25
	3
	37
	51 (2 Row Only)

6. Connector Type	
P	Plug
S	Receptacle
G	Plug with Ground Spring

7. Termination	
CE	Card Edge Surface Mount
HM	Horizontal Surface Mount
VM	Vertical Surface Mount

8. Hardware (Pre-Installed)	
B	Standard Mounting Holes
P	Jackpost
PA	Hex Head Rear Panel Mount Jackpost for .027" - .037" [.68mm - .94mm] Panel Thickness
PB	Hex Head RPM for .042" - .052" [1.06mm - 1.32mm] Panel Thickness
PC	Hex Head RPM for .057" - .067" [1.45mm - 1.70mm] Panel Thickness

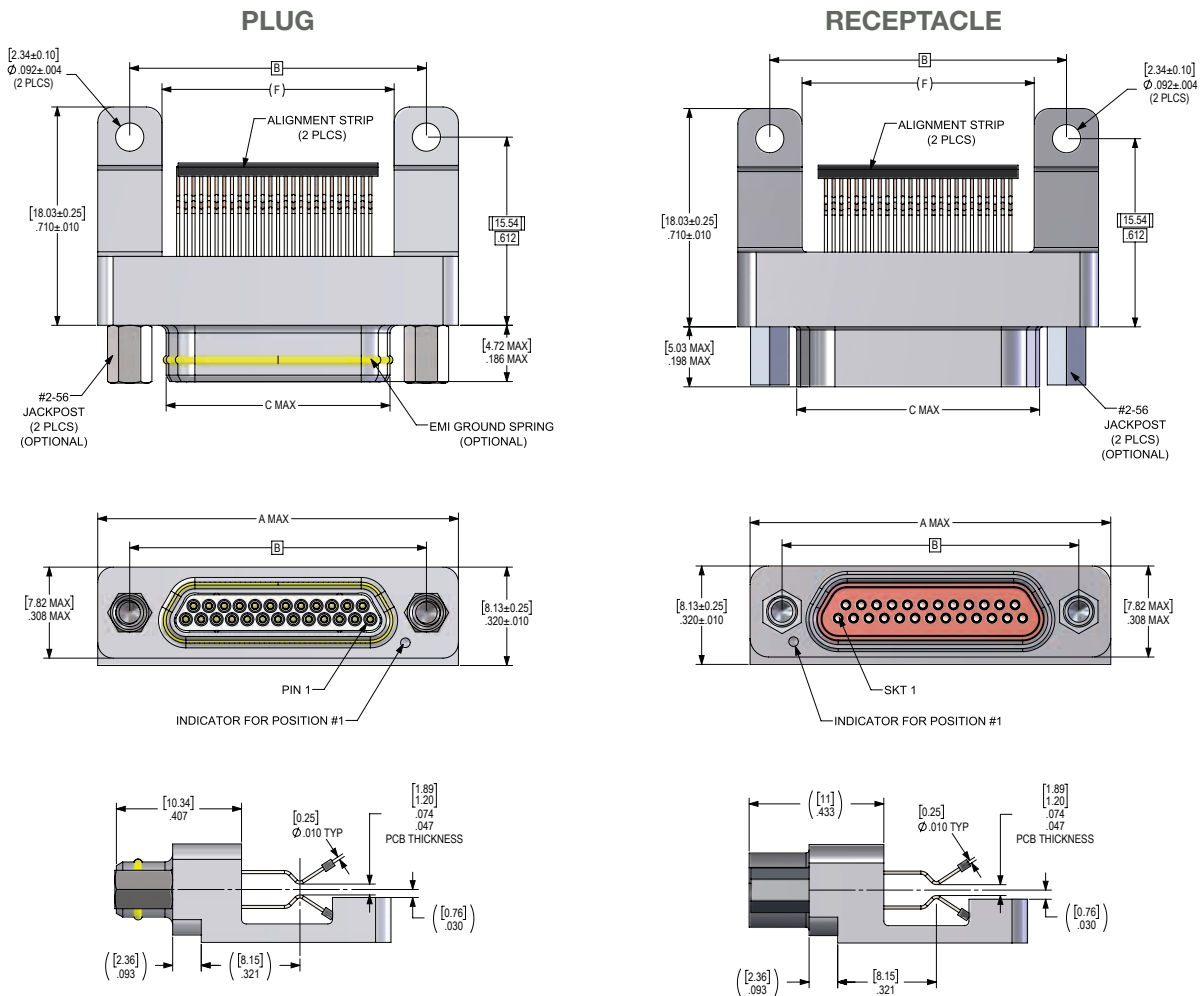
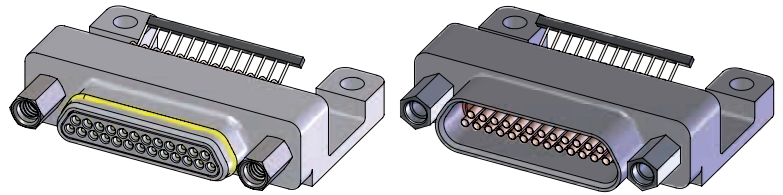
8. Hardware (Pre-Installed)	
PD	Hex Head RPM for .088" - .098" [2.24mm - 2.49mm] Panel Thickness
PE	Hex Head RPM for .075" - .085" [1.91mm - 2.16mm] Panel Thickness
PF	Hex Head RPM for .120" - .130" [3.05mm - 3.30mm] Panel Thickness
PG	Hex Head RPM for .067" - .077" [1.70mm - 1.96mm] Panel Thickness
SA	Slot Head Rear Panel Mount Jackpost for .027" - .037" [.68mm - .94] Panel Thickness

8. Hardware (Pre-Installed)	
SB	Slot Head RPM for .042" - .052" [1.06mm - 1.32mm] Panel Thickness
SC	Slot Head RPM for .057" - .067" [1.45mm - 1.70mm] Panel Thickness
SD	Slot Head RPM for .088" - .098" [2.24mm - 2.49mm] Panel Thickness
SE	Slot Head RPM for .075" - .085" [1.91mm - 2.16mm] Panel Thickness
SF	Slot Head RPM for .120" - .130" [3.05mm - 3.30mm] Panel Thickness
SG	Slot Head RPM for .067" - .077" [1.70mm - 1.96mm] Panel Thickness
M2	Low Profile Jackscrew, Allen Head

8. Hardware (Pre-Installed)	
M3	High Profile Jackscrew, Allen Head
M5	Low Profile Jackscrew, Slot Head
M6	High Profile Jackscrew, Slot Head

Card Edge Surface Mount Termination

EDGE BOARD CONNECTOR



Dimensions are in inch(mm)

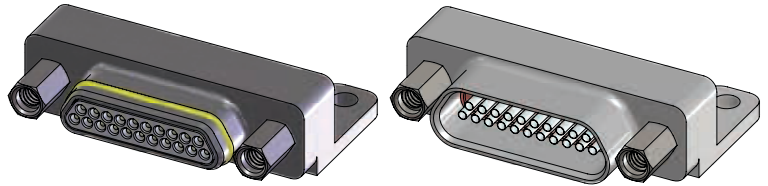
SIZE	A Max	B	C MAX		F Ref.
			Receptacle	Plug	
09	.785 (19.94)	.565 (14.35)	.402 (10.21)	.334 (8.48)	.355 (9.02)
15	.935 (23.75)	.715 (18.16)	.552 (14.02)	.484 (12.29)	.505 (12.83)
21	1.085 (27.56)	.865 (21.97)	.702 (17.83)	.634 (16.10)	.655 (16.64)
25	1.185 (30.10)	.965 (24.51)	.802 (20.37)	.734 (18.64)	.755 (19.18)
31	1.335 (33.91)	1.115 (28.32)	.952 (24.18)	.884 (22.45)	.905 (22.99)
37	1.485 (37.72)	1.265 (32.13)	1.102 (27.99)	1.034 (26.26)	1.055 (26.80)
51-2	1.835 (46.61)	1.615 (41.02)	1.452 (36.88)	1.384 (35.15)	1.405 (35.69)

MICRO-D SURFACE MOUNT CONNECTORS

SERIES SMT

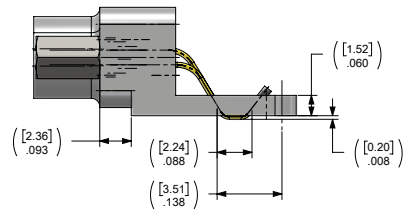
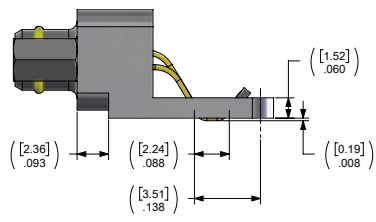
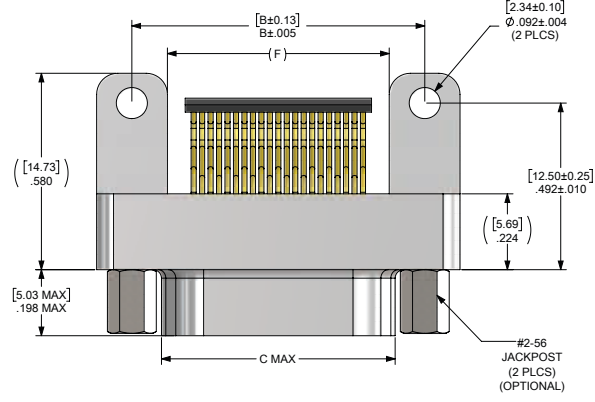
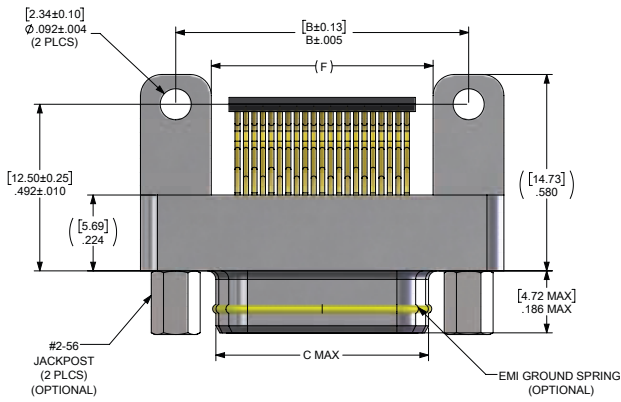
Horizontal Surface Mount Termination

BOARD RIGHT ANGLE CONNECTOR



PLUG

RECEPTACLE

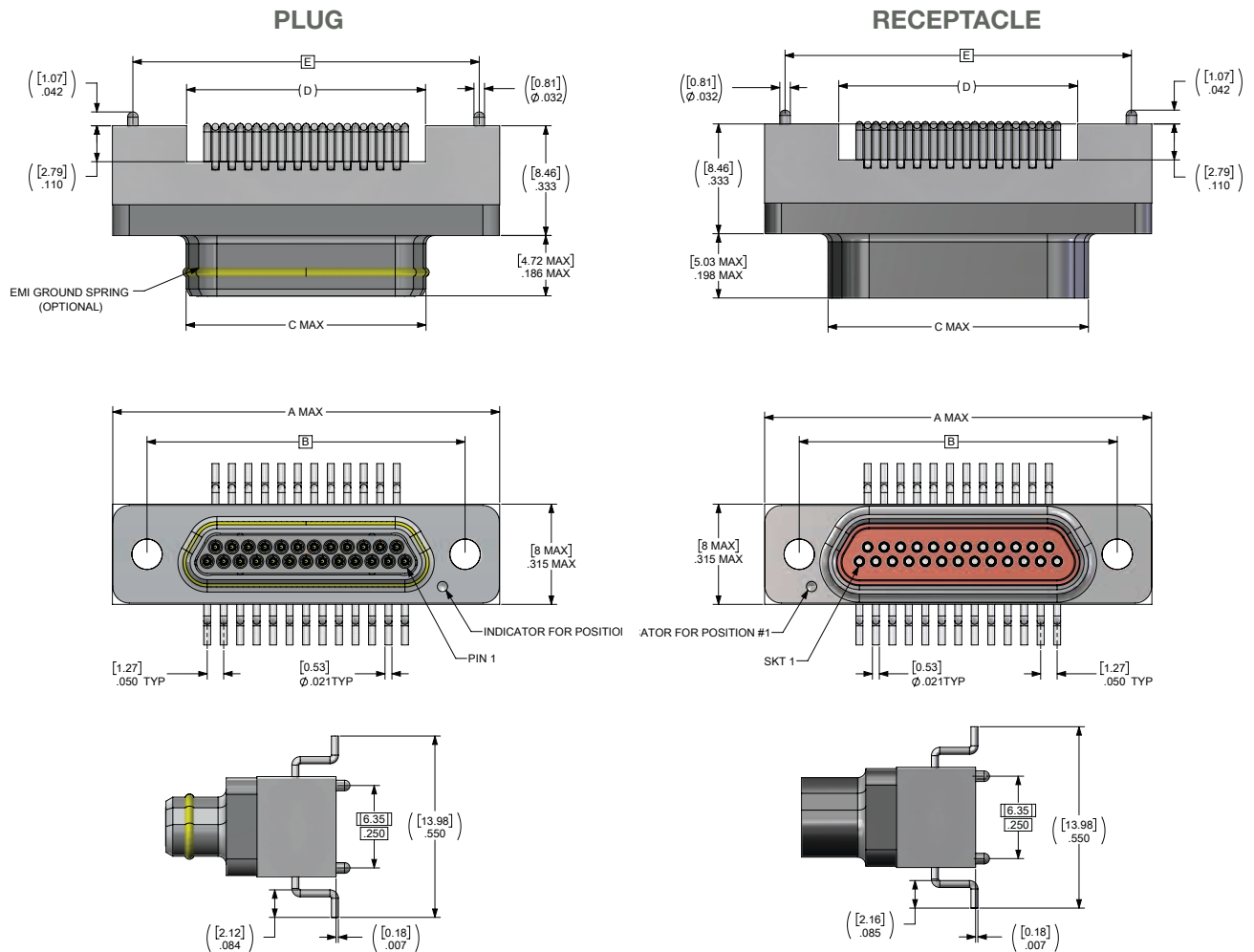
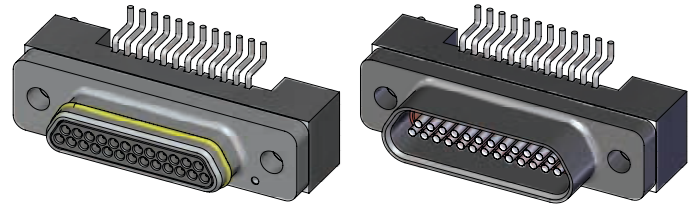


MICRO-D

Dimensions are in inch(mm)

SIZE	A Max	B	C MAX		F Ref.
			Receptacle	Plug	
09	.785 (19.94)	.565 (14.35)	.402 (10.21)	.334 (8.48)	.355 (9.02)
15	.935 (23.75)	.715 (18.16)	.552 (14.02)	.484 (12.29)	.505 (12.83)
21	1.085 (27.56)	.865 (21.97)	.702 (17.83)	.634 (16.10)	.655 (16.64)
25	1.185 (30.10)	.965 (24.51)	.802 (20.37)	.734 (18.64)	.755 (19.18)
31	1.335 (33.91)	1.115 (28.32)	.952 (24.18)	.884 (22.45)	.905 (22.99)
37	1.485 (37.72)	1.265 (32.13)	1.102 (27.99)	1.034 (26.26)	1.055 (26.80)
51-2	1.835 (46.61)	1.615 (41.02)	1.452 (36.88)	1.384 (35.15)	1.405 (35.69)

Vertical Surface Mount Termination

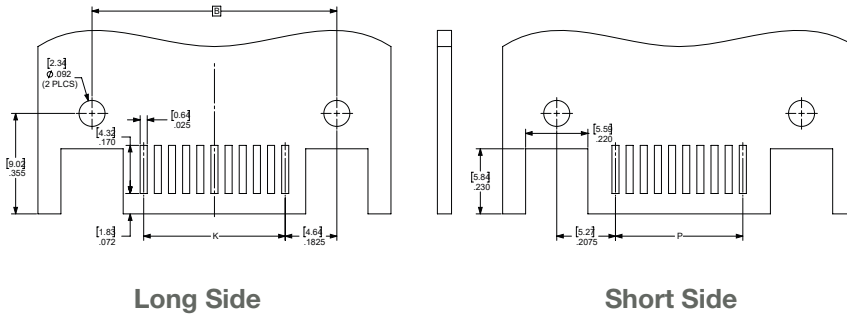


Dimensions are in inch(mm)

SIZE	A Max	B	C MAX		F Ref.
			Receptacle	Plug	
09	.785 (19.94)	.565 (14.35)	.402 (10.21)	.334 (8.48)	.355 (9.02)
15	.935 (23.75)	.715 (18.16)	.552 (14.02)	.484 (12.29)	.505 (12.83)
21	1.085 (27.56)	.865 (21.97)	.702 (17.83)	.634 (16.10)	.655 (16.64)
25	1.185 (30.10)	.965 (24.51)	.802 (20.37)	.734 (18.64)	.755 (19.18)
31	1.335 (33.91)	1.115 (28.32)	.952 (24.18)	.884 (22.45)	.905 (22.99)
37	1.485 (37.72)	1.265 (32.13)	1.102 (27.99)	1.034 (26.26)	1.055 (26.80)
51-2	1.835 (46.61)	1.615 (41.02)	1.452 (36.88)	1.384 (35.15)	1.405 (35.69)

MICRO-D SURFACE MOUNT PCB LAYOUT SERIES SMT

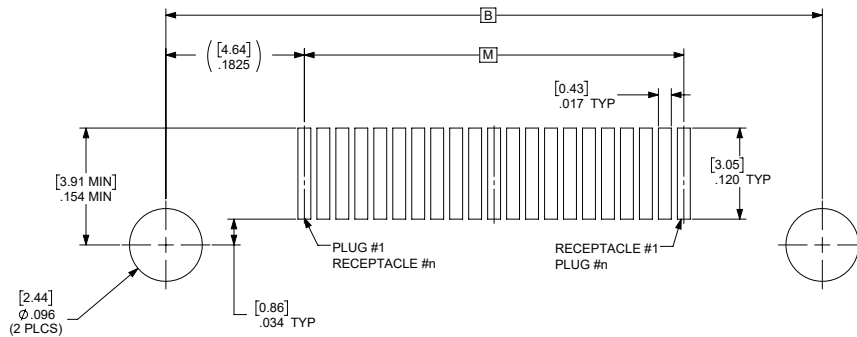
Card Edge Board Mount Layout



Board Layout Dimensions:			
SIZE	B In (mm)	K In (mm)	P In (mm)
09	.565 (14.35)	.200 (5.08)	.150 (3.81)
15	.715 (18.16)	.350 (8.89)	.300 (7.62)
21	.865 (21.97)	.500 (12.70)	.450 (11.43)
25	.965 (24.51)	.600 (15.24)	.550 (13.97)
31	1.115 (28.32)	.750 (19.05)	.700 (17.78)
37	1.265 (32.13)	.900 (22.86)	.850 (21.59)
51-2	1.615 (41.02)	1.25 (35.75)	1.20 (30.48)

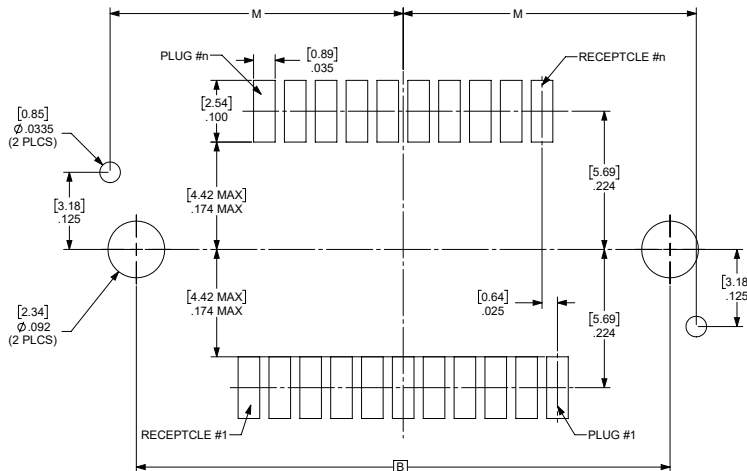
Horizontal Board Mount Layout

MICRO-D



Board Layout Dimensions:		
SIZE	B In (mm)	M In (mm)
09	.565 (14.35)	.200 (5.08)
15	.715 (18.16)	.350 (8.89)
21	.865 (21.97)	.500 (12.70)
25	.965 (24.51)	.600 (15.24)
31	1.115 (28.32)	.750 (19.05)
37	1.265 (32.13)	.900 (22.86)
51-2	1.615 (41.02)	1.25 (35.75)

Vertical Board Mount Layout



Board Layout Dimensions:		
SIZE	B In (mm)	M In (mm)
09	.565 (14.35)	.325 (8.26)
15	.715 (18.16)	.400 (10.16)
21	.865 (21.97)	.475 (12.07)
25	.965 (24.51)	.525 (13.34)
31	1.115 (28.32)	.600 (15.24)
37	1.265 (32.13)	.675 (17.15)
51-2	1.615 (41.02)	.850 (21.59)

The solderless surface mount Micro-D (SSMM) is a new Micro PCB connector using Amphenol surface mount clip Technology and is fully intermateable with standard M83513 connectors. Connection to the board is made by spring loaded contacts which required contact pads instead of a traditional through holes, thus reducing the footprint of the connector. When PCB design space is critical, the smaller footprint allows more space for other board level components or smaller board. The solder-less surface mount Micro-D (SSMM) also eliminates the need for washing and soldering processes saving time and cost in PCB assembly.



HANDLING

As these connectors have delicate contacts:

- Handle connector by the outer edges being careful to avoid touching the spring contacts.
- Do not touch spring contacts with fingers, tools, wipes, or any other devices.
- Latex gloves or finger cots must be used when handling and installing connectors. Do not use cotton gloves when handling the connectors.
- Return connectors to their original containers, if removed for incoming inspection purposes.
- Do not expose connectors to liquid or dry chemicals
- For long-term storage: store connectors in a clean, dry environment at a temperature between 40°-80°F (4°-26.67° C), and 30%-60% relative humidity.

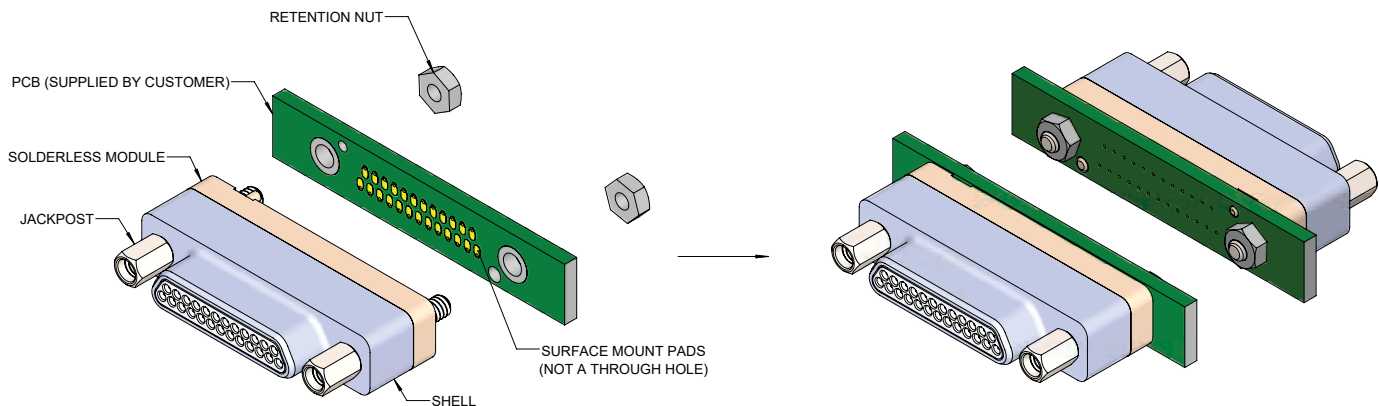


TABLE 1: SPECIFICATIONS

LLCR	60, 63, 67 mΩ Max Depending on wire size
D.W.V	500 VAC / No DWV required after humidity
I.R	1000 MΩ
Current Rating	0.5A
Shock	50 G Half-Sine
Vibration	Frequency Ranges: 50 to 2000 Hz Peak Level: 10gn for 45 minutes in each axis
Thermal Shock	-55°C TO +80°C
Humidity	2000 hours total 25°C to 80°C at 80% RH TO 47% RH respectively for 2 hours at each temperature
Salt Spray	N/A
Magnetic Permeability	N/A

MICRO-D SOLDER-LESS SURFACE MOUNT SERIES SSMM

How to Order

FEATURES

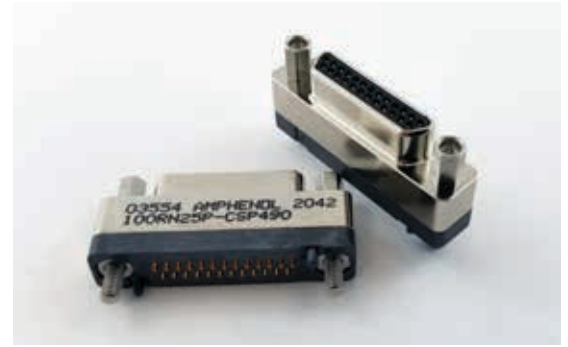
- Space savings
- Cost-optimized
- High-Quality
- Increased in contact density
- Increased space on opposite side of PCB for more components

1.	2.	3.	4.	5.	6.	7.	8.
Connector Series	Insulator Material	Shell Finish	Connector Size	Contact Type	Type	Hardware	Jackpost Length
100	R	N	25	P-	CS	P	490

1. Connector Series		2. Insulator Material		3. Shell Finish		4. Connector Size (Number of Contacts)	
100	Metal Shell Per MIL-DTL-83513	R	Polyphenylene Sulfide (Ryton)	A	Anodize (Black)	09	
				C	Cadmium (Black Chromate)	15	
				G	Gold	21	
				N	Electroless Nickel	25	
				T	Nickel Teflon	31	
				K	Zinc Nickel	37	

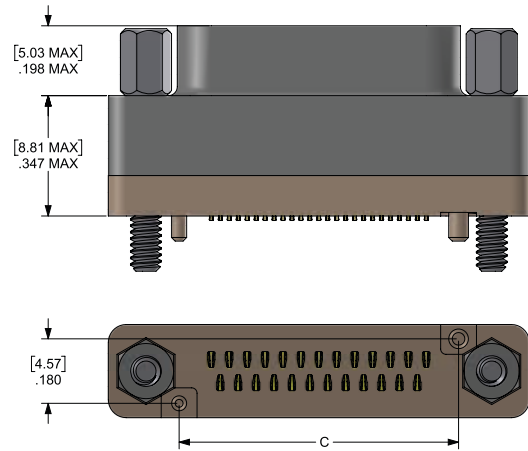
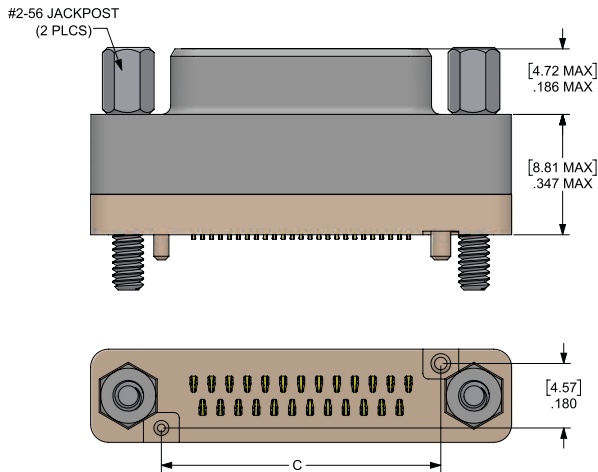
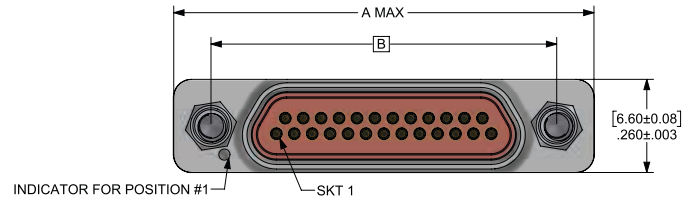
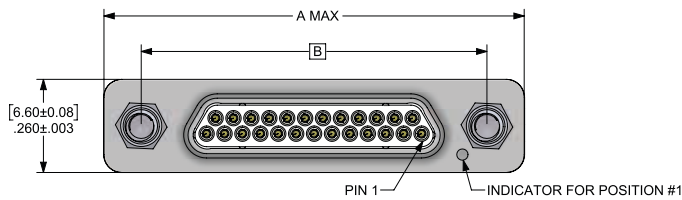
5. Contact Type		6. Type		7. Hardware		8. Jackpost Length	
P-	Plug (Pin)	CS	Solder-less	P-	Jackpost	.490	.490" Long
S-	Receptacle (Socket)					.520	.520" Long

MICRO-D



PLUG

RECEPTACLE



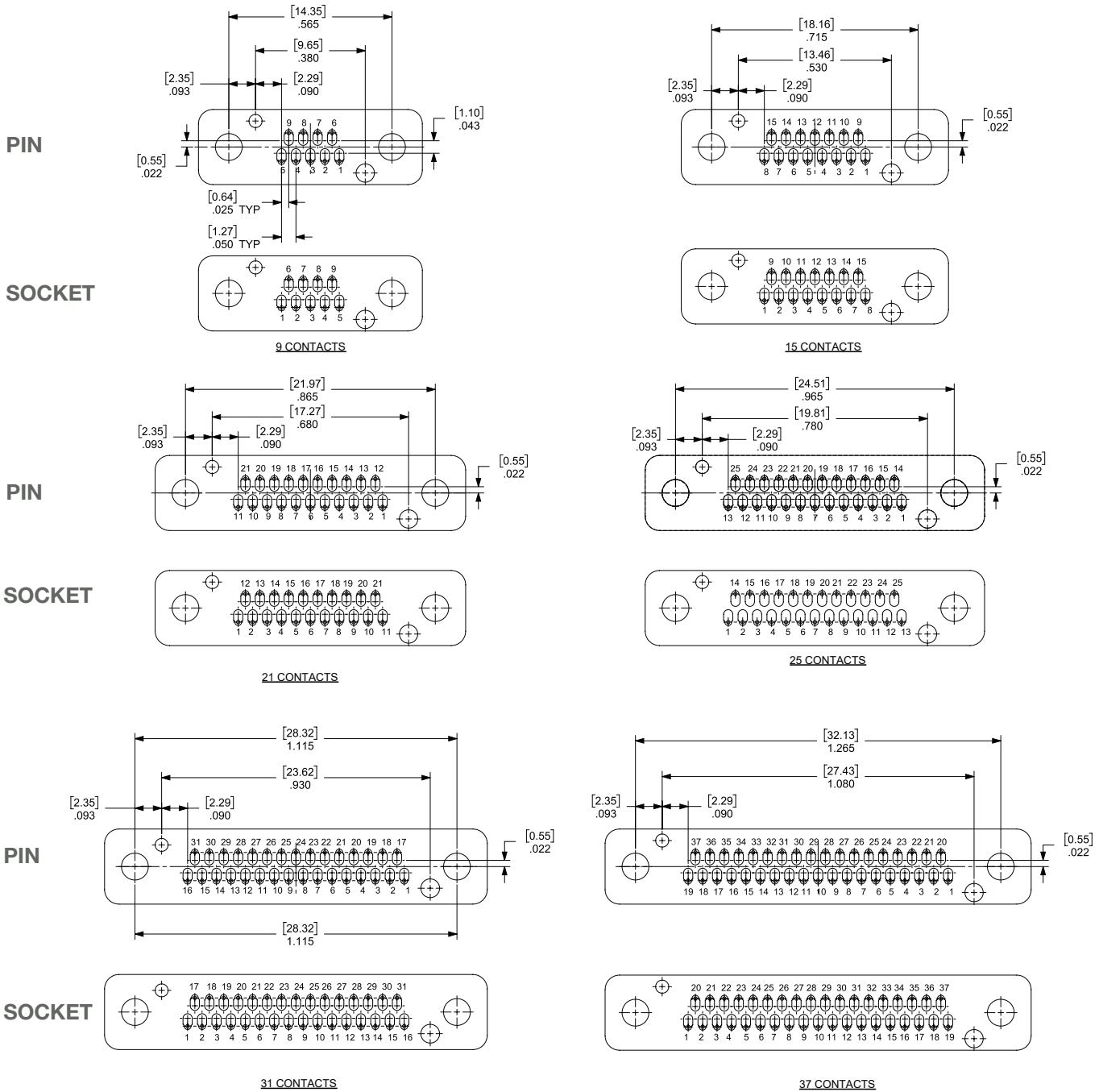
Dimensions are in inch(mm)

SIZE	A MAX	B	C
09	.776 (19.71)	.565 (14.35)	.380
15	.926 (23.52)	.715 (18.16)	.530
21	1.076 (27.33)	.865 (21.97)	.680
25	1.176 (29.87)	.965 (24.51)	.780
31	1.326 (33.68)	1.115 (28.32)	.930
37	1.476 (37.49)	1.265 (32.13)	1.080

MICRO-D SOLDER-LESS SURFACE MOUNT SERIES SSMM

SSMM TERMINATION TYPE PC CONFIGURATION

MICRO-D



How to Order FEATURES

- A range of filtered MIL-DTL-83513 Micro-D products for military and aerospace applications.
- Small filter connectors which employ monolithic planar capacitors in a rugged, high density package
- Ideally suited for applications where space and weight is restricted.
- Available in a variety of filter types and mechanical configurations including wired harnesses and PCB terminations.
- Fully intermateable with all standard MIL-DTL-83513 connectors and meet the applicable performance and environmental requirements.

1. RoHS Compliance	2. Connector Series	3. Connector Size	4. Connector Type	5. Termination Type	6. Wire Lead Length	7. Mounting Style	8. Insert Option	9. Filter Type	10. Filter Value	11. Plating	12. Deviation
	M13-	21	P	1	P	P	T	C	1	1-	000

1. RoHS Compliance

E	RoHS Compliant
	Blank for Non-RoHS

2. Connector Series

M13-	Filtered Micro-D
-------------	------------------

3. Connector Size (Number of Contacts)

09
15
21
25
31
37

4. Connector Type

P	Plug (Pin)
S	Receptacle (Socket)

5. Termination Type

1	Vertical PCB "BS"
2	Vertical PCB "C6"
3	Solder Cup
4	Right Angle PCB "CBR"
5	Solid Wire Straight
6	Stranded Wire

6. Wire/Lead Length

	Omit for Solder Cup
1	.109" ±.015
2	.140" ±.015
3	.172" ±.015
4	.250" ±.015

7. Mounting Style

A	.093" Mounting Hole
B	.125" Mounting Hole
L	Jackpost (Loose)
P	Jackpost (Fixed)

8. Insert Option

	Omit if not Used
T	Threaded Insert (PCB Termination Only)

10. Filter Value pF+100%/-0%

A	200
B	400
C	800
1	1000
2	2000
4	4000
8	8000
T	10,000
H	16,000
0	Mixed Cap

TERMINATION TYPE 6 (INCHES +1.00/-0.00)

A	18.00 per M22759/11-26 (MIL-STD-681, System 1)
B	36.00 per M22759/11-26 (MIL-STD-681, System 1)
C	72.00 per M22759/11-26 (MIL-STD-681, System 1)

9. Filter Type

P	Pi Filter
C	C Filter
0	Non-Filtered Equivalent Part

11. Plating

1-	Electroless Nickel
2-	Tin
3-	Cadmium (Clear Chromate)
4-	Gold
5-	Zinc Nickel

12. Deviation

000	Standard
XXX	Custom

MICRO-D FILTERED CONNECTORS

SERIES M13

Specifications

TABLE 1: ELECTRICAL CHARACTERISTICS-C FILTER

FILTER CIRCUITS		C, CLR, LRC					
Capacitance (pF) (@ 25 C, 1 kHz and 1.0 VRMS)		150 - 300	300 - 500	600 - 1200	1200 - 3200	4000 - 8000	8000 - 16000
Insertion Loss (dB min.) (per MIL-STD-220 @ 25 C and no load)	.1 MHz	-	-	-	-	-	-
	1 MHz	-	-	-	-	-	-
	10 MHz	-	-	2	5	13	18
	100 MHz	6	12	17	24	33	40
	1000 MHz	25	31	38	43	54	60
Working Voltage (VDC) @ 25 C & sea level		100					
Dielectric Withstanding Voltage (VDC) @ 25 C and 50 mA max. charging current		300					
Insulation Resistance (Gohms) @ 25 C and working voltage		5					
Contact Current Rating (continuous max. DC amperes)		3					
Filter RF Current Rating (amperes) (max. @ any frequency)		0.3					

MICRO-D

TABLE 2: ELECTRICAL CHARACTERISTICS-PI FILTER

FILTER CIRCUITS		Pi					
Capacitance (pF) (@ 25 C, 1 kHz and 1.0 VRMS)		150 TO 300	300 TO 500	600 TO 1200	1200 TO 3200	4000 TO 8000	8000 TO 16000
Insertion Loss (dB min.) (per MIL-STD-220 @ 25 C and no load)	.1 MHz	-	-	-	-	-	-
	1 MHz	-	-	-	-	-	3
	10 MHz	-	-	2	5	13	18
	100 MHz	7	12	18	26	45	57
	1000 MHz	30	42	53	60	60	60
Working Voltage (VDC) (@ 25 C & sea level)		100					
Dielectric Withstanding Voltage (VDC) (@ 25 C and 50 mA max. charging current)		300					
Insulation Resistance (Gohms) @ 25 C and working voltage		5					
Contact Current Rating (continuous max. DC amperes)		3					
Filter RF Current Rating (amperes) (max. @ any frequency)		0.3					

Specifications

TABLE 3: MATERIAL AND FINISHES

Connector Shell:	Aluminum Alloy
Insulator:	Polyphenylene Sulfide (PPS)
Seals:	Silicone Rubber or Equivalent
Pin Contact:	Beryllium Copper with 50 micro-inches gold over nickel plating
Socket Contact:	Copper alloy with 50 micro-inches gold over nickel plating
Hardware:	300 series stainless steel
PCB Terminals:	Gold plated copper alloy, solder dipped
Capacitors:	Planar ceramic array
Inductors:	Ferrite
EMI Ground Spring:	Beryllium Copper
Encapsulant:	Thermally conductive epoxy

TABLE 4: QUALITY CONFORMANCE INSPECTION

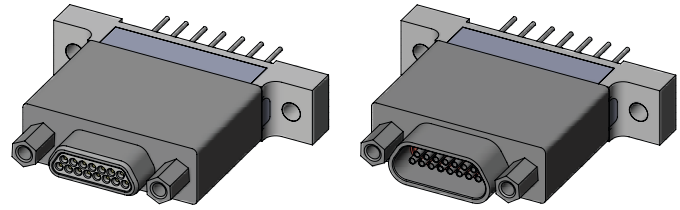
Series M13 connectors have been extensively qualified per the requirements of MIL-DTL-83513. All products shipped have the following inspection tests:	<ul style="list-style-type: none"> • 100% visual and mechanical inspections • 100% capacitance, DWV, insulation resistance and dissipation factor testing • Sample insertion loss testing (AQL 1.0%)
For high reliability applications, the following inspection tests or certifications are also available:	<ul style="list-style-type: none"> • Thermal shock • Elevated temperature voltage conditioning • Elevated temperature insulation resistance and capacitance • Outgassing per JSC-SPR-0022 for space-borne applications • Baseline and single lot date code manufacturing • Other tests as required (consult the factory)

MICRO-D FILTERED CONNECTORS

SERIES M13

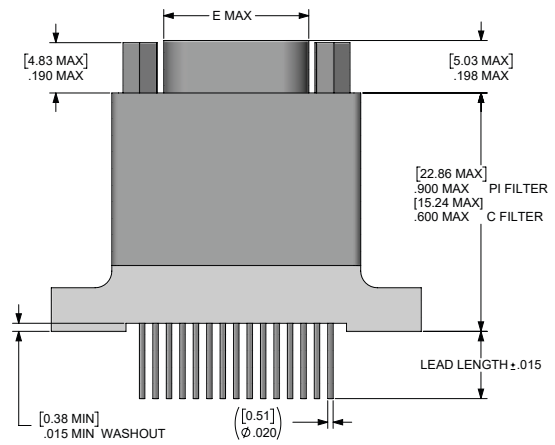
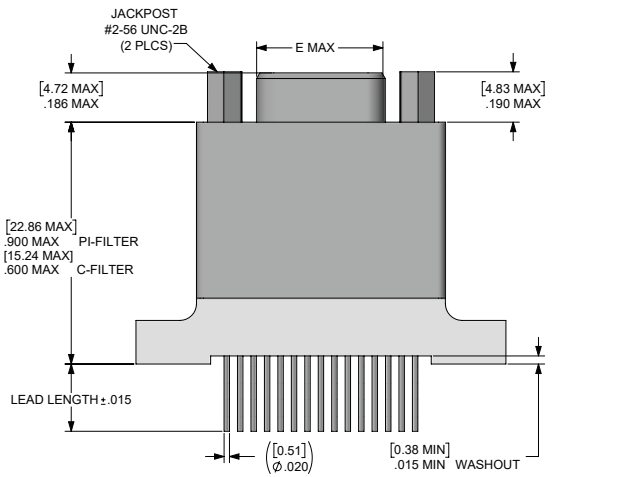
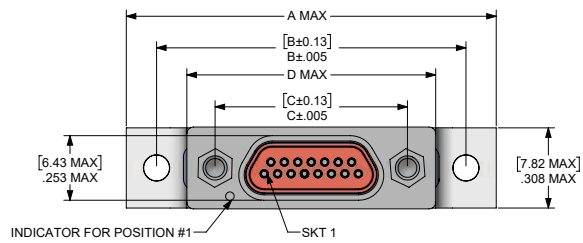
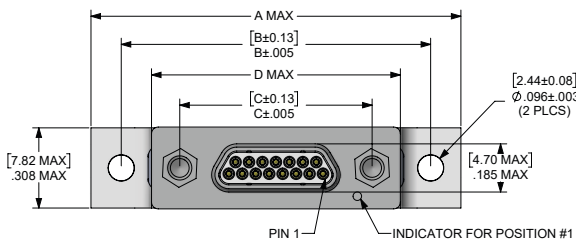
Termination Type 1

VERTICAL PCB "BS"



PLUG

RECEPTACLE



MICRO-D

Dimensions are in inch(mm)

SIZE	A MAX	±.005 (0.13)	±.005 (0.13)	D MAX	E MAX	
					PLUG	RCPT
09	1.390 (35.31)	1.150 (29.21)	.565 (14.35)	.788 (20.02)	.334 (8.48)	.402 (10.21)
15			.715 (18.16)	.935 (23.75)	.484 (12.29)	.552 (14.02)
21	1.690 (42.93)	1.450 (36.83)	.865 (21.97)	1.085 (27.56)	.634 (16.10)	.702 (17.83)
25	1.740 (44.20)	1.500 (38.10)	.965 (24.51)	1.185 (30.10)	.734 (18.64)	.802 (20.37)
31	2.040 (51.82)	1.800 (45.72)	1.115 (28.32)	1.335 (33.91)	.884 (22.45)	.952 (24.18)
37	2.340 (59.44)	2.100 (53.34)	1.265 (32.13)	1.485 (37.72)	1.034 (26.26)	1.102 (27.99)

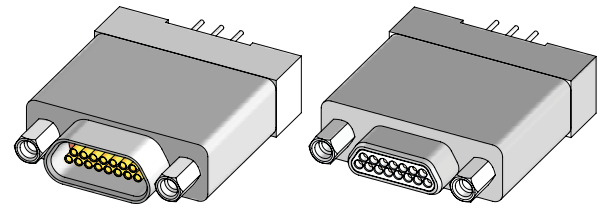
Refer to page 26 for straight PC configurations.

Receptacle Includes interfacial seal

Contact Amphenol Canada for more information at 416-291-4401 • www.amphenolcanada.com
 Download 2D drawings & 3D models using our online configurator.

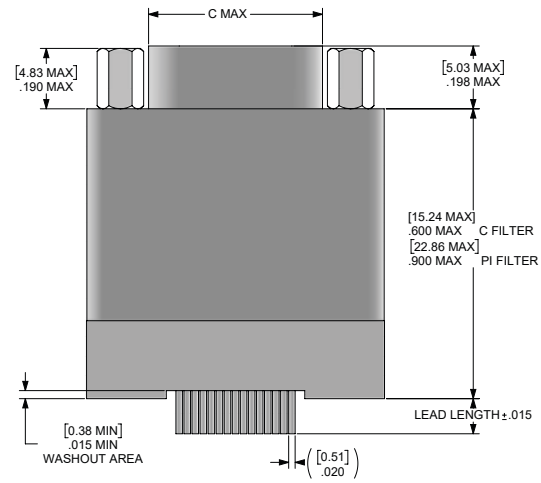
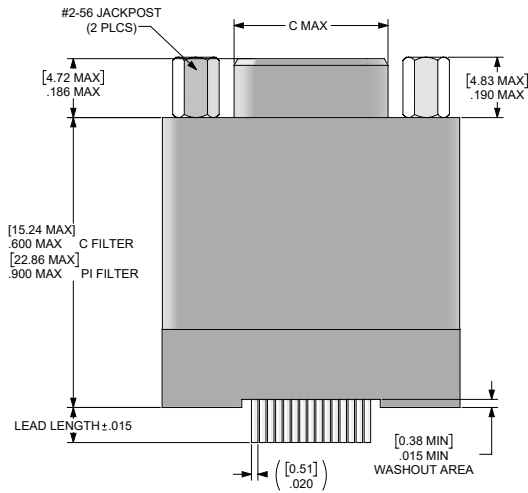
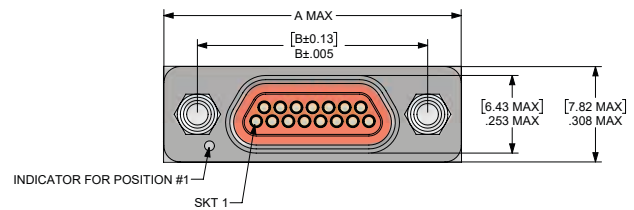
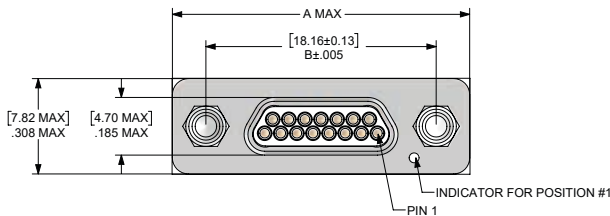
Termination Type 2

VERTICAL PCB "C6"



PLUG

RECEPTACLE



Dimensions are in inch(mm)

SIZE	A MAX	B ±.005 (0.13)	C MAX	
			PLUG	RCPT
09	.785 (19.94)	.565 (14.35)	.334 (8.48)	.402 (10.21)
15	.935 (23.75)	.715 (18.16)	.484 (12.29)	.552 (14.02)
21	1.085 (27.56)	.865 (21.97)	.634 (16.10)	.702 (17.83)
25	1.185 (30.10)	.965 (24.51)	.734 (18.64)	.802 (20.37)
31	1.335 (33.91)	1.115 (28.32)	.884 (22.45)	.952 (24.18)
37	1.485 (37.72)	1.265 (32.13)	1.034 (26.26)	1.102 (27.99)

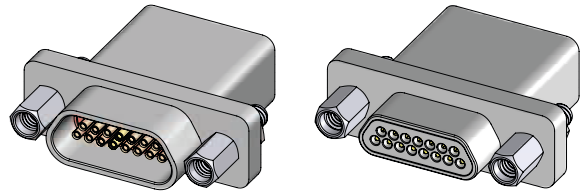
Refer to page 29 for straight PC configurations.

Receptacle Includes interfacial seal

MICRO-D FILTERED CONNECTORS SERIES M13

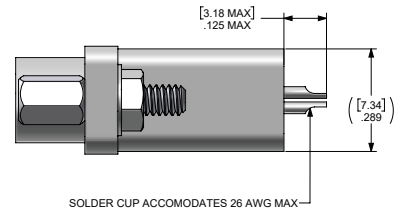
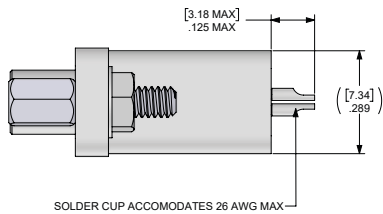
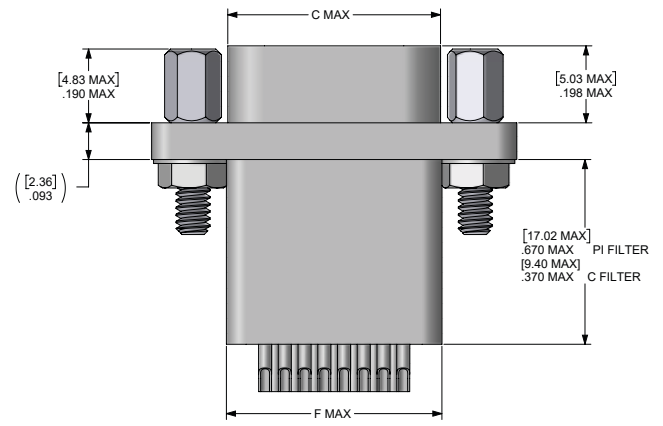
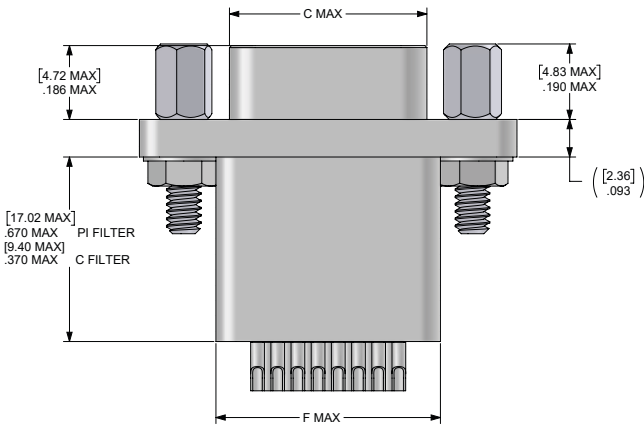
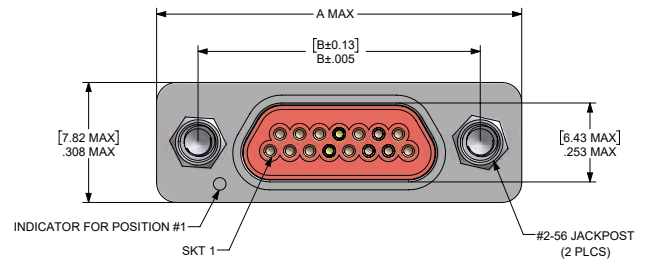
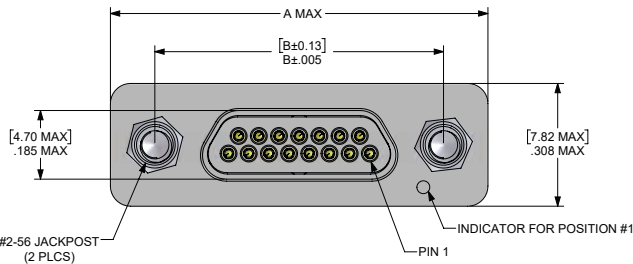
Termination Type 3

SOLDER CUP



PLUG

RECEPTACLE



MICRO-D

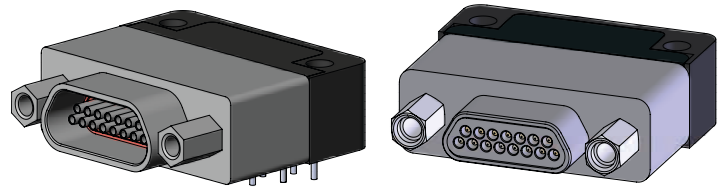
Dimensions are in inch(mm)

SIZE	A MAX	B ±.005 (0.13)	C MAX		F MAX
			PLUG	RCPT	
09	.785 (19.94)	.565 (14.35)	.334 (8.48)	.402 (10.21)	.400 (10.16)
15	.935 (23.75)	.715 (18.16)	.484 (12.29)	.552 (13.97)	.550 (13.97)
21	1.085 (27.56)	.865 (21.97)	.634 (16.10)	.702 (17.83)	.700 (17.78)
25	1.185 (30.10)	.965 (24.51)	.734 (18.64)	.802 (20.37)	.800 (20.32)
31	1.335 (33.91)	1.115 (28.32)	.884 (22.45)	.952 (24.18)	.950 (24.13)
37	1.485 (37.72)	1.265 (32.13)	1.034 (26.26)	1.102 (27.99)	1.100 (27.94)

Receptacle Includes interfacial seal

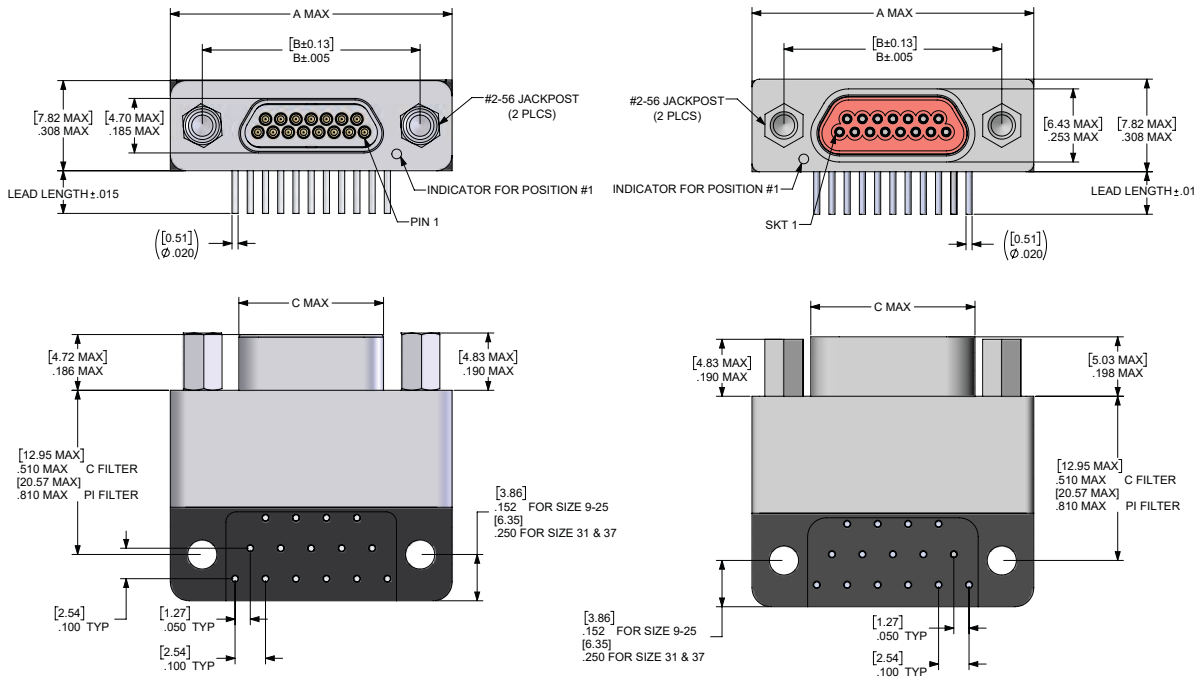
Termination Type 4

RIGHT ANGLE PCB "CBR"



PLUG

RECEPTACLE



Dimensions are in inch(mm)

SIZE	A MAX	B ±.005 (0.13)	C MAX	
			PLUG	RCPT
09	.785 (19.94)	.565 (14.35)	.334 (8.48)	.402 (10.21)
15	.935 (23.75)	.715 (18.16)	.484 (12.29)	.552 (13.97)
21	1.085 (27.56)	.865 (21.97)	.634 (16.10)	.702 (17.83)
25	1.185 (30.10)	.965 (24.51)	.734 (18.64)	.802 (20.37)
31	1.335 (33.91)	1.115 (28.32)	.884 (22.45)	.952 (24.18)
37	1.485 (37.72)	1.265 (32.13)	1.034 (26.26)	1.102 (27.99)

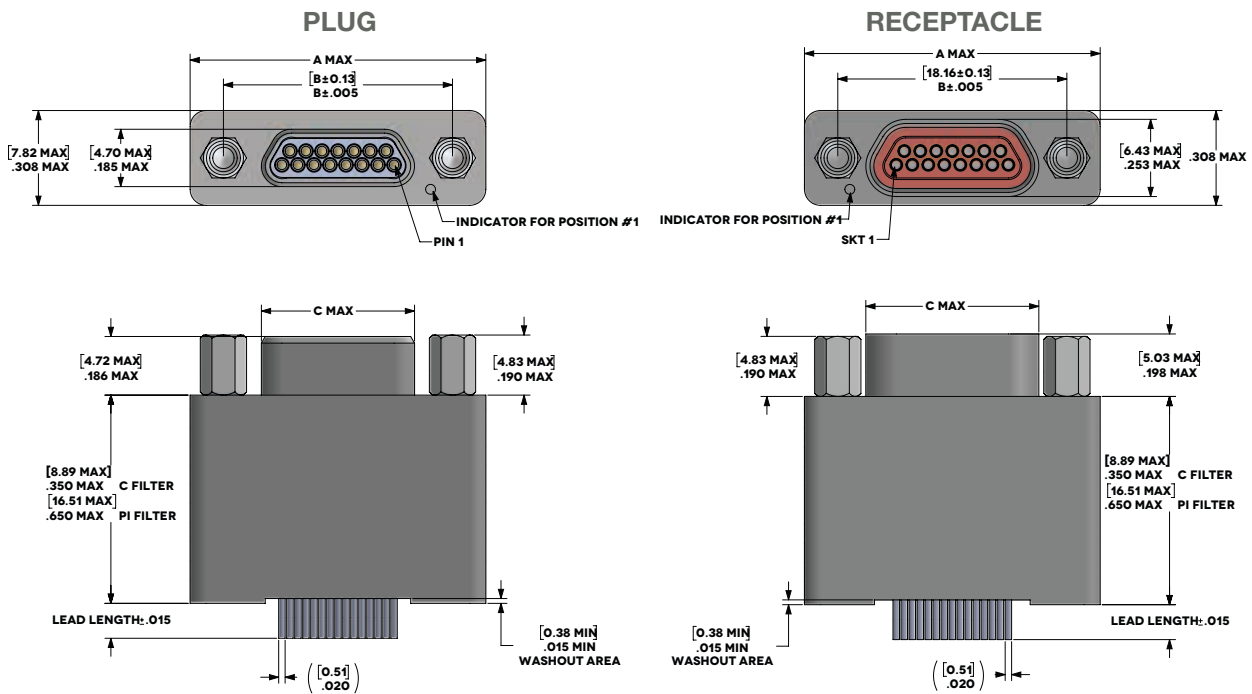
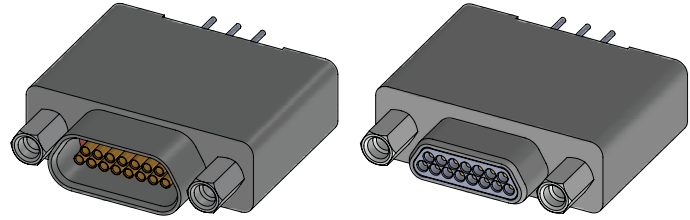
Refer to page 19 for right angle (90 DEG) PC configurations.

Receptacle Includes interfacial seal

MICRO-D FILTERED CONNECTORS SERIES M13

Termination Type 5

SOLID WIRE STRAIGHT



MICRO-D

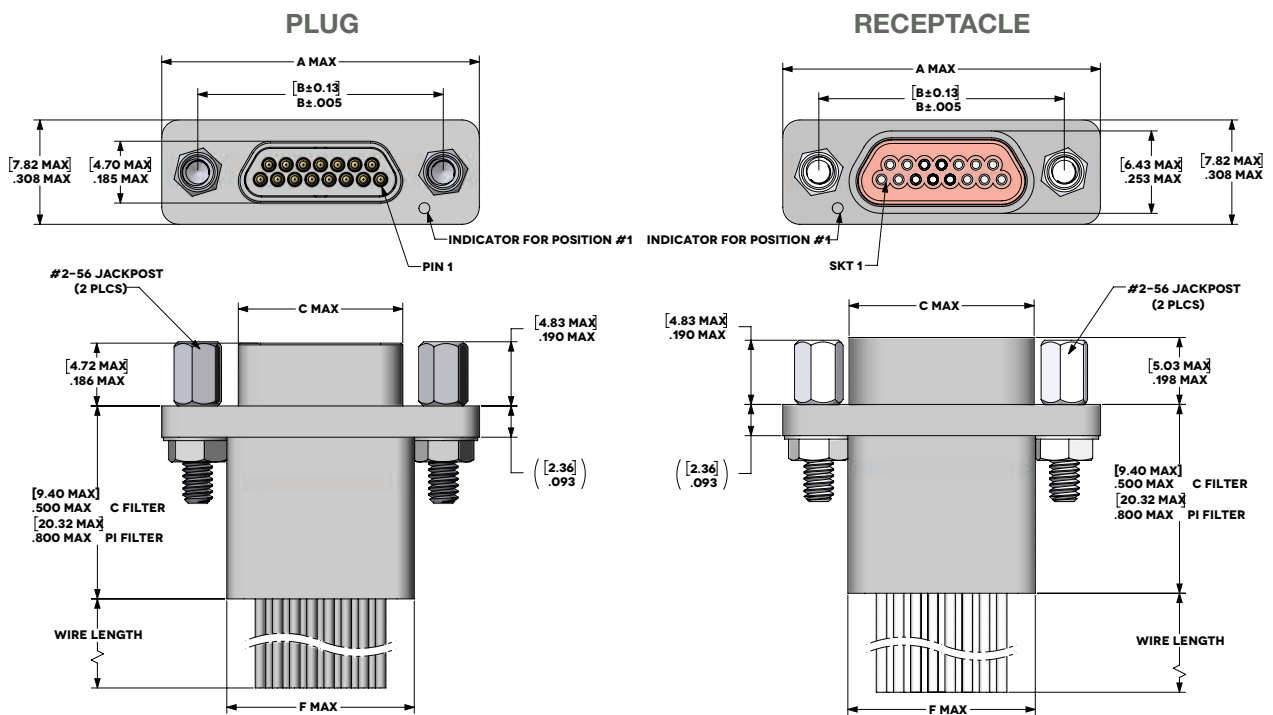
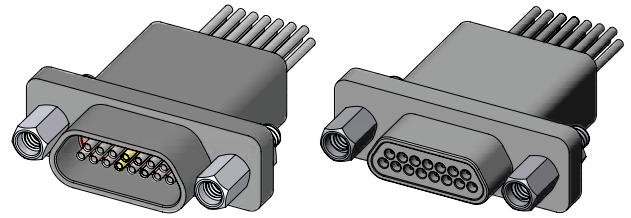
Dimensions are in inch(mm)

SIZE	A MAX	B $\pm .005$ (0.13)	C MAX	
			PLUG	RCPT
09	.785 (19.94)	.565 (14.35)	.334 (8.48)	.402 (10.21)
15	.935 (23.75)	.715 (18.16)	.484 (12.29)	.552 (13.97)
21	1.085 (27.56)	.865 (21.97)	.634 (16.10)	.702 (17.83)
25	1.185 (30.10)	.965 (24.51)	.734 (18.64)	.802 (20.37)
31	1.335 (33.91)	1.115 (28.32)	.884 (22.45)	.952 (24.18)
37	1.485 (37.72)	1.265 (32.13)	1.034 (26.26)	1.102 (27.99)

Receptacle Includes interfacial seal

Termination Type 6

STRANDED WIRE STRAIGHT



Dimensions are in inch(mm)

SIZE	A MAX	B ±.005 (0.13)	C MAX		F MAX
			PLUG	RCPT	
09	.785 (19.94)	.565 (14.35)	.334 (8.48)	.402 (10.21)	.400 (10.16)
15	.935 (23.75)	.715 (18.16)	.484 (12.29)	.552 (13.97)	.550 (13.97)
21	1.085 (27.56)	.865 (21.97)	.634 (16.10)	.702 (17.83)	.700 (17.78)
25	1.185 (30.10)	.965 (24.51)	.734 (18.64)	.802 (20.37)	.800 (20.32)
31	1.335 (33.91)	1.115 (28.32)	.884 (22.45)	.952 (24.18)	.950 (24.13)
37	1.485 (37.72)	1.265 (32.13)	1.034 (26.26)	1.102 (27.99)	1.100 (27.94)

Receptacle Includes interfacial seal

MICRO-D CONNECTOR SAVER

SERIES 100, 101, 102 & 104

How to Order

FEATURES

- Space reduction (2-in-1 connector)
- Opposite mating genders
- No termination required; ready for use

1.	2.	3.	4.	5.	6.
Connector Series	Insulator Material	Shell Finish	Connector Size	Connector type	Hardware
100	R	N	09-	P/S-	B

1. Connector Series

100	Metal Shell Per Mil-DTL-83513
101	Low Profile Per M83513/06-/09
102	All Plastic (Dimensionally identical to metal shell per M83513)
104	Stainless Steel Per M83513

2. Insulator Material

R	Polyphenylene Sulfide (Ryton)
----------	-------------------------------

3. Shell Finish

For Series 100 only

A	Anodize (Black)
C	Cadmium (Black Chromate)
G	Gold
I	Iridite/Alodine
N	Electroless Nickel
T	Nickel Teflon

4. Connector Size (Number of Contacts)

09-
15-
21-
25-
31-
37-
51-
69-
100-

All sizes I.A. W M83513
Except size 69 (non-military)

5. Connector Type

P/S-	Connector Saver (Plug and Receptacle)
-------------	---------------------------------------

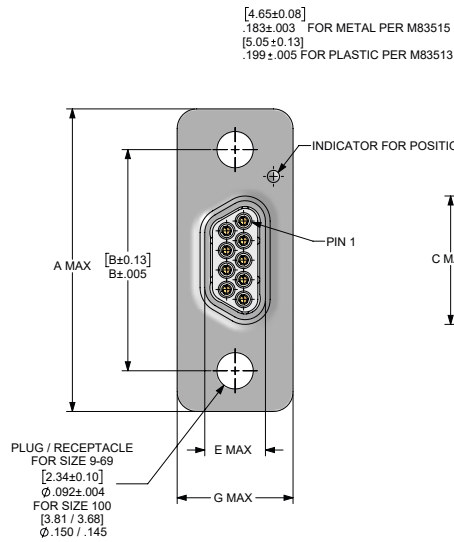
6. Hardware (Pre-installed by Factory)

B	Standard Mounting Holes
F	Standard Float Mount
R	Reverse Float Mount
P	JackPost

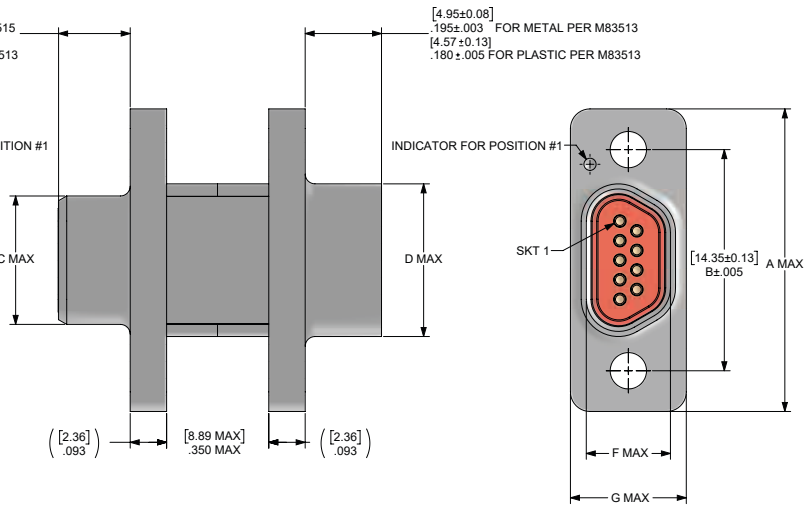
MICRO-D



PLUG



RECEPTACLE



(Face Seal Included for 100 Series Only)

Series 100, 102 & 104

Dimensions are in inch(mm)

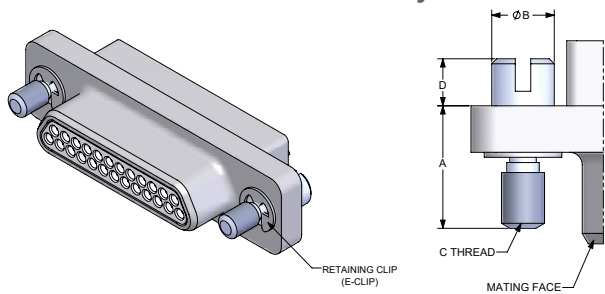
SIZE	A MAX	B ±.005 (0.13)	C MAX	D MAX	E MAX	F MAX	G MAX
09	.785 (19.94)	.565 (14.35)	.334 (8.48)	.402 (10.21)			
15	.935 (23.75)	.715 (18.16)	.484 (12.29)	.552 (14.02)			
21	1.085 (27.56)	.865 (21.97)	.634 (16.10)	.702 (17.83)			
25	1.185 (30.10)	.965 (24.51)	.734 (18.64)	.802 (20.37)			
31	1.335 (33.91)	1.115 (28.32)	.884 (22.45)	.952 (24.18)			
37	1.485 (37.72)	1.265 (32.13)	1.034 (26.26)	1.102 (27.99)	.185 (4.70)	.253 (6.43)	.308 (7.82)
51	1.435 (36.45)	1.215 (30.86)	.984 (24.99)	1.052 (26.72)			
69	1.735 (44.07)	1.515 (38.48)	1.289 (32.74)	1.357 (34.47)			
100	2.160 (54.86)	1.800 (45.72)	1.384 (35.15)	1.508 (38.30)			

Series 101 Only

(Sizes 69-100 are not applicable)

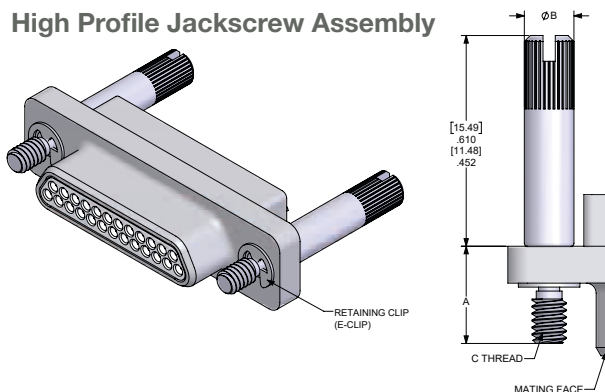
SIZE	A MAX	B ±.005 (0.13)	C MAX	D MAX	E MAX	F MAX	G MAX
09	.788 (20.02)	.565 (14.35)	.292 (7.42)	.380 (9.65)			
15	.938 (23.82)	.715 (18.16)	.442 (11.23)	.530 (13.46)			
21	1.088 (27.64)	.865 (21.97)	.592 (15.04)	.680 (17.27)			
25	1.188 (30.18)	.965 (24.51)	.692 (17.58)	.780 (19.81)			
31	1.338 (33.99)	1.115 (28.32)	.842 (21.39)	.930 (23.62)			
37	1.488 (37.80)	1.265 (32.13)	.992 (25.10)	1.080 (27.43)			
51	1.438 (36.53)	1.215 (30.86)	.942 (23.93)	1.030 (26.16)			

Low Profile Jackscrew Assembly



Shell Size	9-69		100	
Amphenol P/N	HM05-05	HM05-02	HM05-15	HM05-12
P/N Code	M5	M2	M5	M2
MIL-SPEC P/N	M83513/05-05 (Slot)	M83513/05-02 (Allen)	M83513/05-15 (Slot)	M83513/05-12 (Allen)
Dim. A	.258/.235 (6.55/5.97)		.287±.005 (7.29±0.13)	
Dim. B	.125 (3.18)		.187 (4.75)	
Dim. C (Thread)	#2-56 UNC-2A		#4-40 UNC-2A	
Dim. D	.103/.070 (2.62/1.78)		.098 (2.49)	

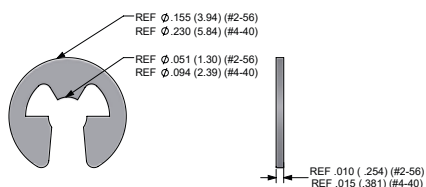
High Profile Jackscrew Assembly



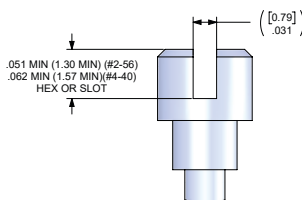
Shell Size	9-69		100	
Amphenol P/N	HM05-06	HM05-03	HM05-16	HM05-13
P/N Code	M6	M3	M6	M3
MIL-SPEC P/N	M83513/05-06 (Slot)	M83513/05-03 (Allen)	M83513/05-16 (Slot)	M83513/05-13 (Allen)
Dim. A	.258/.235 (6.55/5.97)		.287±.005 (7.29±0.13)	
Dim. B	.125 (3.18)		.187 (4.75)	
Dim. C (Thread)	#2-56 UNC-2A		#4-40 UNC-2A	

MICRO-D

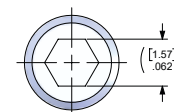
Retaining Clip Detail



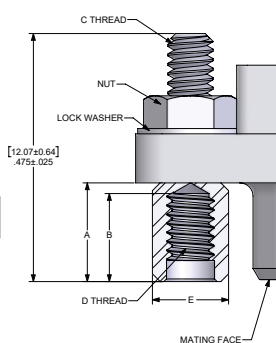
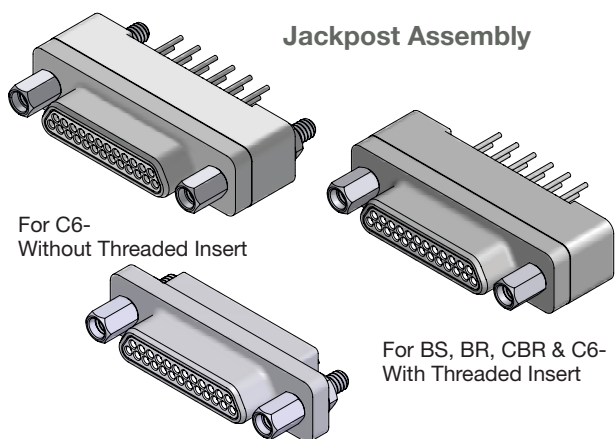
Slot Head Detail



Allen Head Detail



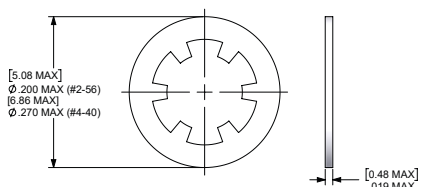
Jackpost Assembly



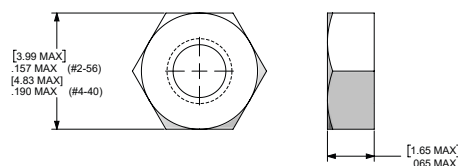
Shell Size	9-69	100
Amphenol P/N	HM05-07	HM05-17
P/N Code	P	
MIL-SPEC P/N	M83513/05-07	M83513/05-17
Dim. A	.190/.185 (4.83/4.70)	.185/.180 (4.70/4.58)
Dim. B	.155 (3.94)	.170 (4.32)
Dim. C (Thread)	#2-56 UNC-2A	#4-40 UNC-2A
Dim. D (Thread)	#2-56 UNC-2B	#4-40 UNC-2B
Dim. E (Hex)	.125 (3.18)	.187 (4.75)

For Wires- Solder Cup & C16

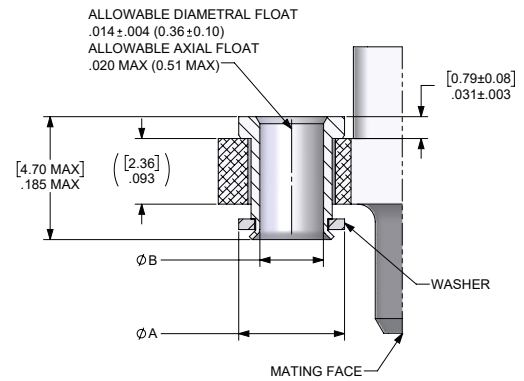
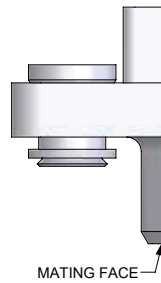
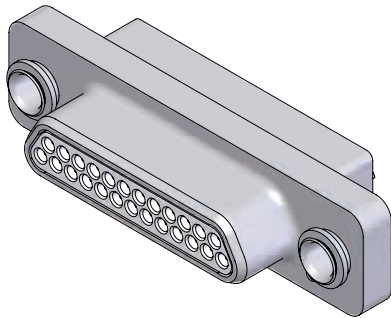
Lock Washer Detail



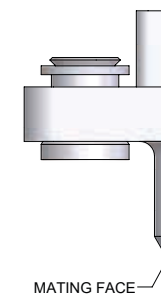
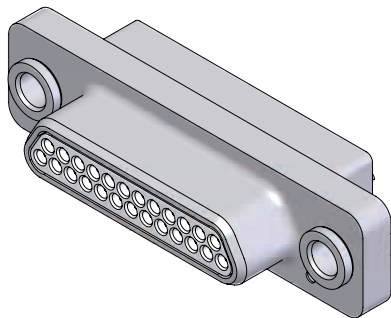
Nut Detail



Forward Float Mount

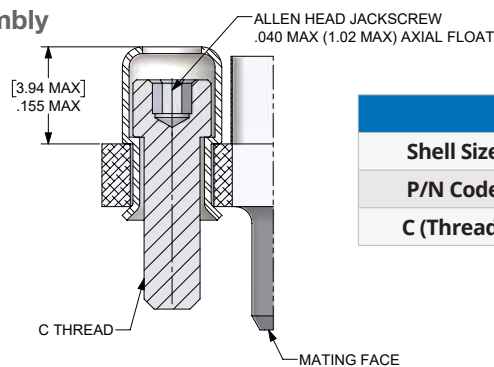
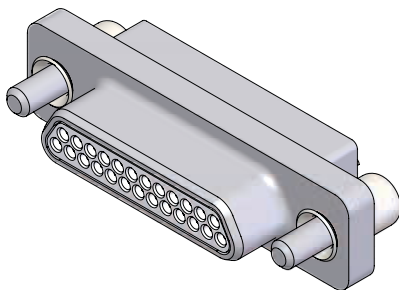


Reverse Float Mount (Same dimensions as forward float mount)



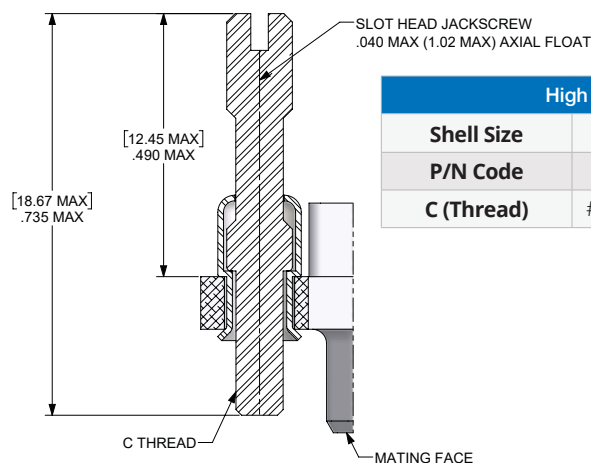
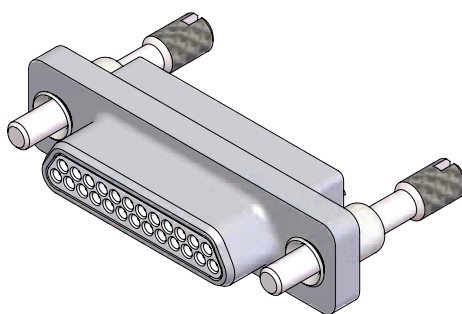
Float Mount		
Shell Size	9-69	100
P/N Code	F = Forward Float R = Reverse Float	
A	(3.81 ± .076) .150 ± .003	(4.40 ± 0.13) .174 ± .005
B	(2.99 ± .0038) .090 ± .0015	(2.95 ± .051) .116 ± .002

Low Profile Captive Jackscrew Assembly



Low Profile Captive		
Shell Size	9-69	100
P/N Code	L	
C (Thread)	#2-56 UNC-2A	#4-40 UNC-2A

High Profile Captive Jackscrew Assembly



High Profile Captive		
Shell Size	9-69	100
P/N Code	K	
C (Thread)	#2-56 UNC-2A	#4-40 UNC-2A

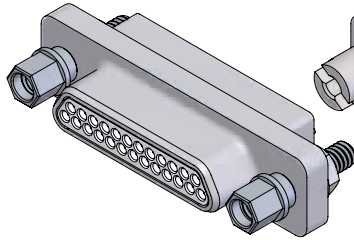
Note: (Unless otherwise Specified)

1. Custom Hardware Pre-Installed by the Factory
2. Captive Hardware Provided Secure Mounting

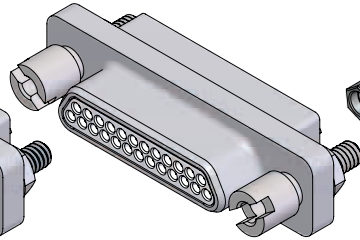
For Special design hardware, consult Amphenol sales for more options

REAR PANEL MOUNT JACKPOST ASSEMBLY

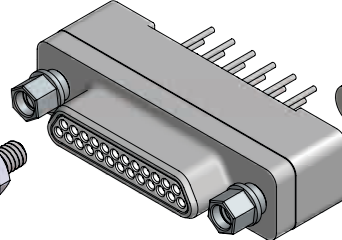
Hex Head-Long



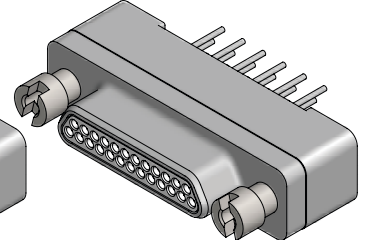
Slot Head-Long



Hex Head-Short

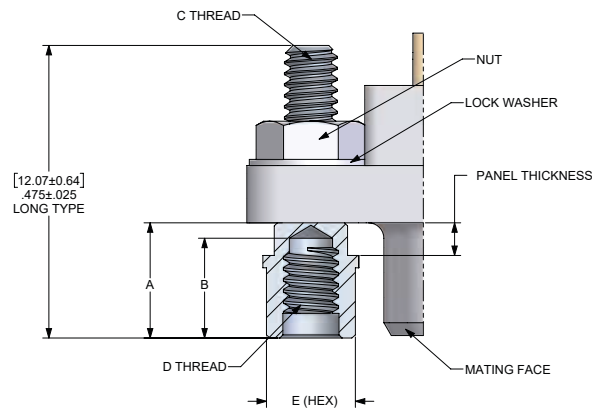


Slot Head-Short

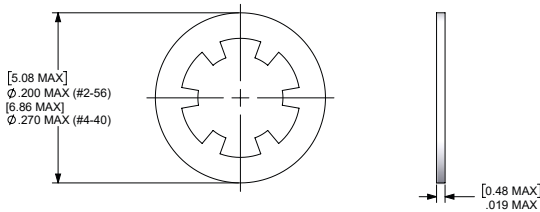


For C16, H16, Wires & Solder Cup

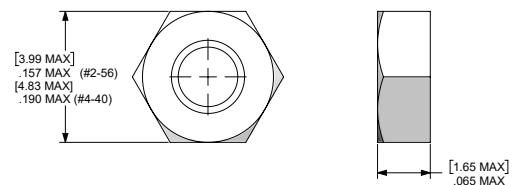
For BS, BR, CBR, HBR, C6 & H6



Lock Washer Detail



Nut Detail



Shell Size	9-69	100
Amphenol P/N	HM05-XX (See Table 3)	
Panel Thickness Code	PA / SA = .027" - .037" (0.69 - .094) PB / SB = .042" - .052" (1.07 - 1.32) PC / SC = .057" - .066" (1.45 - 1.68) PG / SG = .067" - .077" (1.70 - 1.96) PE / SE = .078" - .085" (1.98 - 2.16) PD / SD = .088" - .098" (2.24 - 2.49) PF / SF = .120" - .130" (3.05 - 3.30)	
MIL-SPEC P/N	N/A	
Dim. A	.185 / .190 (4.70 / 4.83)	.180 / .185 (4.58 / 4.70)
Dim. B	.155 (3.94)	.170 (4.32)
Dim. C (Thread)	#2-56 UNC-2A	#4-40 UNC-2A
Dim. D (Thread)	#2-56 UNC-2B	#4-40 UNC-2B
Dim. E (Hex)	.125 (3.18)	.187 (4.75)

TABLE 3: Sz 9-69

CAT. #	Head Type	Thread	Description	Length
HM05-20	Slot	2-56	SA - Jackpost for .027"-.037" panel	Long
HM05-21	Slot	2-56	SB - Jackpost for .042"-.052" panel	Long
HM05-22	Slot	2-56	SC - Jackpost for .057"-.066" panel	Long
HM05-23	Slot	2-56	SD - Jackpost for .088"-.098" panel	Long
HM05-24	Slot	2-56	SE - Jackpost for .078"-.085" panel	Long
HM05-25	Slot	2-56	SF - Jackpost for .120"-.130" panel	Long
HM05-26	Slot	2-56	SG - Jackpost for .067"-.077" panel	Long
HM05-30	Hex	2-56	PA - Jackpost for .027"-.037" panel	Long
HM05-31	Hex	2-56	PB - Jackpost for .042"-.052" panel	Long
HM05-32	Hex	2-56	PC - Jackpost for .057"-.066" panel	Long
HM05-33	Hex	2-56	PD - Jackpost for .088"-.098" panel	Long
HM05-34	Hex	2-56	PE - Jackpost for .078"-.085" panel	Long
HM05-35	Hex	2-56	PF - Jackpost for .120"-.130" panel	Long
HM05-36	Hex	2-56	PG - Jackpost for .067"-.077" panel	Long
HM05-40	Slot	2-56	SA - Jackpost for .027"-.037" panel	Short
HM05-41	Slot	2-56	SB - Jackpost for .042"-.052" panel	Short
HM05-42	Slot	2-56	SC - Jackpost for .057"-.066" panel	Short
HM05-43	Slot	2-56	SD - Jackpost for .088"-.098" panel	Short
HM05-44	Slot	2-56	SE - Jackpost for .078"-.085" panel	Short
HM05-45	Slot	2-56	SF - Jackpost for .120"-.130" panel	Short
HM05-46	Slot	2-56	SG - Jackpost for .067"-.077" panel	Short
HM05-50	Hex	2-56	PA - Jackpost for .027"-.037" panel	Short
HM05-51	Hex	2-56	PB - Jackpost for .042"-.052" panel	Short
HM05-52	Hex	2-56	PC - Jackpost for .057"-.066" panel	Short
HM05-53	Hex	2-56	PD - Jackpost for .088"-.098" panel	Short
HM05-54	Hex	2-56	PE - Jackpost for .078"-.085" panel	Short
HM05-55	Hex	2-56	PF - Jackpost for .120"-.130" panel	Short
HM05-56	Hex	2-56	PG - Jackpost for .067"-.077" panel	Short

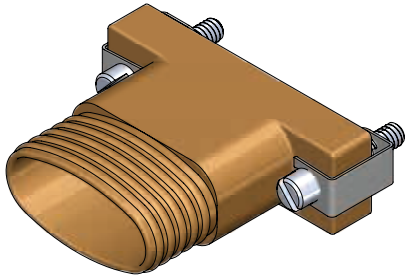
TABLE 3 Sz 100

CAT. #	Head Type	Thread	Description	Length
HM05-60	Slot	4-40	SA - Jackpost for .027"-.037" panel	Long
HM05-61	Slot	4-40	SB - Jackpost for .042"-.052" panel	Long
HM05-62	Slot	4-40	SC - Jackpost for .057"-.066" panel	Long
HM05-63	Slot	4-40	SD - Jackpost for .088"-.098" panel	Long
HM05-64	Slot	4-40	SE - Jackpost for .078"-.085" panel	Long
HM05-65	Slot	4-40	SF - Jackpost for .120"-.130" panel	Long
HM05-66	Slot	4-40	SG - Jackpost for .067"-.077" panel	Long
HM05-70	Hex	4-40	PA - Jackpost for .027"-.037" panel	Long
HM05-71	Hex	4-40	PB - Jackpost for .042"-.052" panel	Long
HM05-72	Hex	4-40	PC - Jackpost for .057"-.066" panel	Long
HM05-73	Hex	4-40	PD - Jackpost for .088"-.098" panel	Long
HM05-74	Hex	4-40	PE - Jackpost for .078"-.085" panel	Long
HM05-75	Hex	4-40	PF - Jackpost for .120"-.130" panel	Long
HM05-76	Hex	4-40	PG - Jackpost for .067"-.077" panel	Long
HM05-80	Slot	4-40	SA - Jackpost for .027"-.037" panel	Short
HM05-81	Slot	4-40	SB - Jackpost for .042"-.052" panel	Short
HM05-82	Slot	4-40	SC - Jackpost for .057"-.066" panel	Short
HM05-83	Slot	4-40	SD - Jackpost for .088"-.098" panel	Short
HM05-84	Slot	4-40	SE - Jackpost for .078"-.085" panel	Short
HM05-85	Slot	4-40	SF - Jackpost for .120"-.130" panel	Short
HM05-86	Slot	4-40	SG - Jackpost for .067"-.077" panel	Short
HM05-90	Hex	4-40	PA - Jackpost for .027"-.037" panel	Short
HM05-91	Hex	4-40	PB - Jackpost for .042"-.052" panel	Short
HM05-92	Hex	4-40	PC - Jackpost for .057"-.066" panel	Short
HM05-93	Hex	4-40	PD - Jackpost for .088"-.098" panel	Short
HM05-94	Hex	4-40	PE - Jackpost for .078"-.085" panel	Short
HM05-95	Hex	4-40	PF - Jackpost for .120"-.130" panel	Short
HM05-96	Hex	4-40	PG - Jackpost for .067"-.077" panel	Short

MICRO-D EMI BACKSHELLS

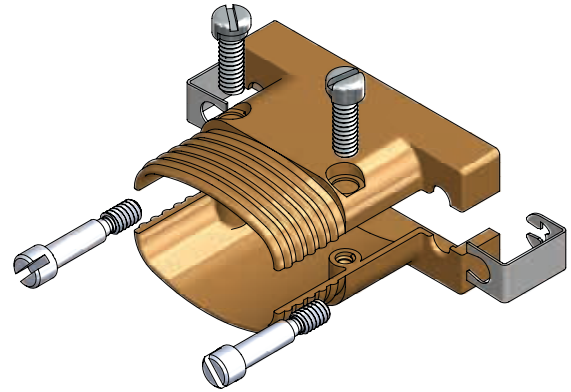
SERIES MBS

Body Style



ONE PIECE

- One solid piece structure
- Designed for use with M83513 connectors.
- It is a reliable means of providing EMI and strain relief for harnessed connectors.
- Available for sizes 9 thru 100.
- Accessible in straight, 45° or 90° configurations
- Round or elliptical exit port
- Backshells are machined from aluminum alloy and are offered with various plating options.
- Hardware: Passivated stainless steel



SPLIT

- Two Piece structure
- Dementianally identical to one piece body style
- Designed for use with M83513 connectors
- Provides access to connector and wires
- It is a reliable means of providing EMI and strain relief for harnessed connectors.
- Available for sizes 9 thru 100.
- Accessible in straight, 45° or 90° configurations
- Round or elliptical exit port
- Backshells are machined from aluminum alloy and are offered with various plating options.
- Hardware: Passivated stainless steel

MICRO-D

PERFORMANCE INFORMATION

- Magnetic permeability (MIL-I-17214): less than 2 mu
- Shielding efficiency: to 1 GHz, 60 db to > 100 db
- Vibration (per MIL-STD-1344 Method 2004, condition C): no damage or discontinuity between shell and shield

How to Order

1.	2.	3.	4.	5.	6.	7.	8.
Connector Series	Connector Size	Shell Finish	Exit Shape	Cable Exit Size	Exit Angle	Hardware	Split Option
MBS-	09	N-	C	A	00	M5	

1. Connector Series	
MBS-	EMI Backshells

2. Connector Size (Number of Contacts)	
09	
15	
21	
25	
31	
37	
51	
69	
100	

3. Shell Finish	
A-	Anodized (Black)
B-	Zinc Nickel (Black Chromate)
C-	Cadmium (Yellow Chromate)
D-	Olive Drab Cadmium
F-	Chem Film
G-	Gold
K-	Zinc Nickel - 48 Hrs
L-	Pure Electro-Deposited Aluminum
N-	Electroless Nickel
T-	Nickel Teflon

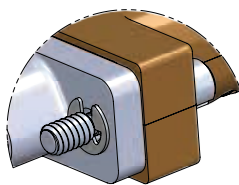
4. Exit Shape	
C	Circular Cable Exit
E	Elliptical Cable Exit

5. Cable Exit Size	
A	
B	
C	
D	
E	
F	
G	
H	
J	

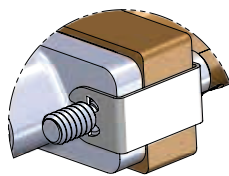
6. Exit Angle	
00	Straight Exit
90	90° Vertical Exit
45	45° Exit

7. Hardware	
M2	Low Profile Allen (Hex) Head Jackscrew with E-clip
M5	Low Profile Slot Head Jackscrew with E-clip
M6	High Profile Slot Head Jackscrew with E-clip
C2	Low Profile Allen (Hex) Head Jackscrew with C-clip
C5	Low Profile Slot Head Jackscrew with C-clip
C6	High Profile Slot Head Jackscrew with C-clip
P	Jackpost

8. Split Option	
	Omit for 1 Piece Construction
2	2 Pieces Split Construction



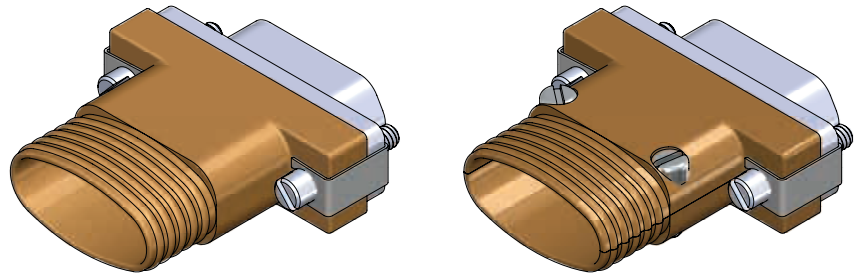
View shown for E-CLIP



View shown for C-CLIP

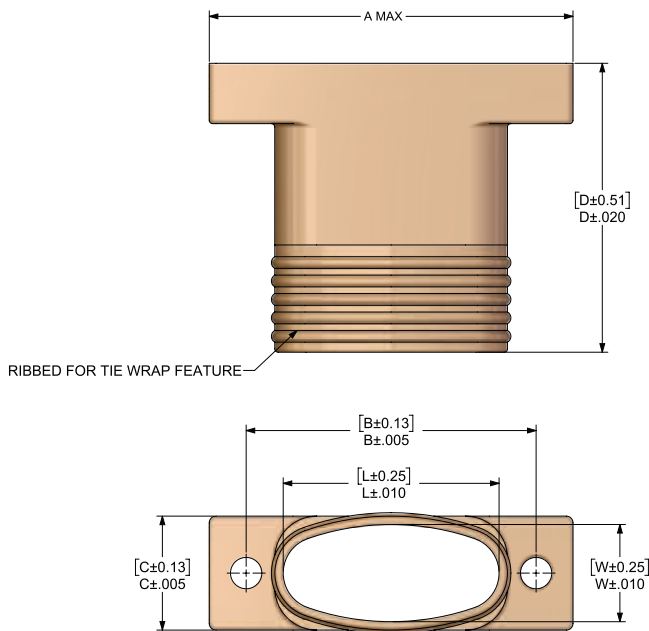
MICRO-D EMI BACKSHELLS SERIES MBS

Elliptical Straight Cable Exit



Connector Shown for Reference Only
(Order Separately)

MICRO-D

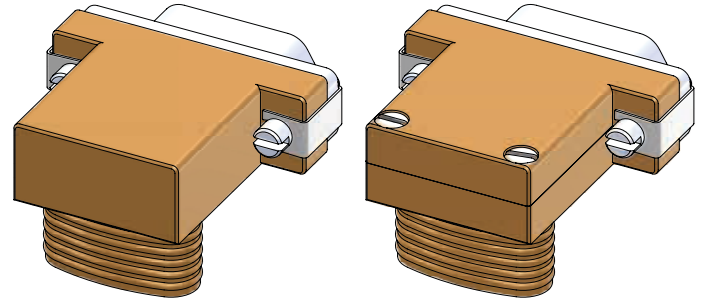


CABLE EXIT SIZE	W ±.010 (0.25)	L ±.010 (0.25)	AVAILABLE ON SIZE
A	.284 (7.21)	.344 (8.74)	09 THRU 100
B		.494 (12.55)	15 THRU 100
C		.644 (16.36)	21 THRU 100
D		.744 (18.90)	25 THRU 100
E		.894 (22.71)	31 THRU 100
F		.994 (25.25)	37 THRU 100
G		1.040 (26.42)	37, 69 & 100
J	.320 (8.13)	1.250 (31.75)	69 THRU 100
H	.384 (9.75)	1.520 (38.61)	100 ONLY

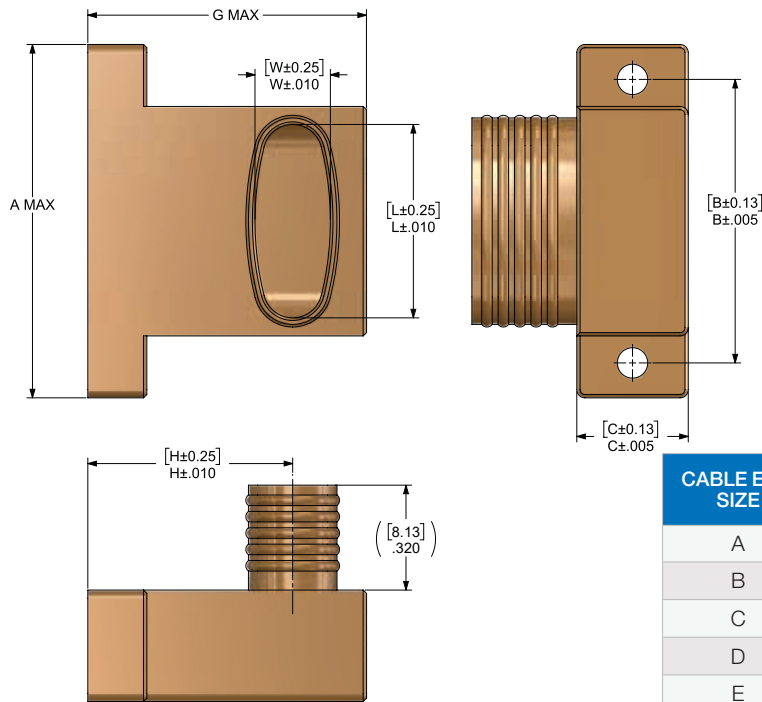
SIZE	A MAX	B ±.005 (0.13)	C ±.005 (0.13)	D ±.020 (0.51)
09	.785 (19.94)	.565 (14.35)	.340 (8.64)	.762 (19.35)
15	.935 (23.75)	.715 (18.16)		.812 (20.62)
21	1.085 (27.56)	.865 (21.97)		.862 (21.89)
25	1.185 (30.10)	.965 (24.51)		.912 (23.16)
31	1.335 (33.91)	1.115 (28.32)		.952 (24.18)
37	1.485 (37.72)	1.265 (32.13)		.992 (25.20)
51	1.435 (36.45)	1.215 (30.86)	.400 (10.16)	1.072 (27.32)
69	1.735 (44.07)	1.515 (38.48)		1.102 (27.99)
100	2.175 (55.25)	1.800 (45.72)	.450 (11.43)	1.137 (28.88)

Note: Split backshell is dimensionally identical to one piece style

Elliptical Right Angle Cable Exit



Connector Shown for Reference Only
(Order Separately)



CABLE EXIT SIZE	W ±.010 (0.25)	L ±.010 (0.25)	AVAILABLE ON SIZE
A	.284 (7.21)	.344 (8.74)	09 THRU 100
B		.494 (12.55)	15 THRU 100
C		.644 (16.36)	21 THRU 100
D		.744 (18.90)	25 THRU 100
E		.894 (22.71)	31 THRU 100
F		.994 (25.25)	37 THRU 100
G		1.040 (26.42)	37, 69 & 100
H		.384 (9.75)	1.520 (38.61)

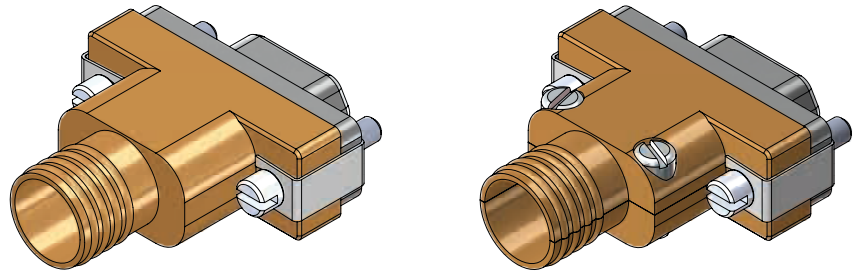
SIZE	A MAX	B ±.005 (0.13)	C ±.005 (0.13)	G MAX	H ±.010 (0.25)
09	.785 (19.94)	.565 (14.35)	.340 (8.64)	.865 (21.97)	.625 (15.88)
15	.935 (23.75)	.715 (18.16)			
21	1.085 (27.56)	.865 (21.97)			
25	1.185 (30.10)	.965 (24.51)			
31	1.335 (33.91)	1.115 (28.32)			
37	1.485 (37.72)	1.265 (32.13)	.400 (10.16)	.925 (23.50)	.645 (16.38)
51	1.435 (36.45)	1.215 (30.86)			
69	1.735 (44.07)	1.515 (34.48)			
100	2.175 (55.25)	1.800 (45.72)	.450 (11.43)	.960 (24.39)	.657 (16.69)

Note: Split backshell is dimensionally identical to one piece style

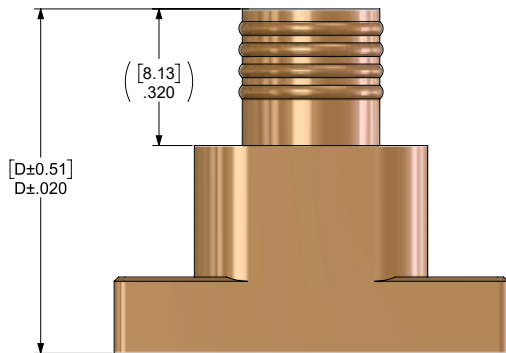
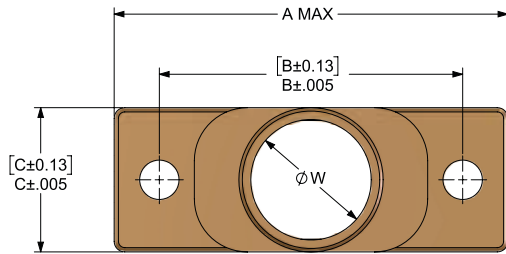
MICRO-D EMI BACKSHELLS

SERIES MBS

Circular Straight Cable Exit



Connector Shown for Reference Only
(Order Separately)



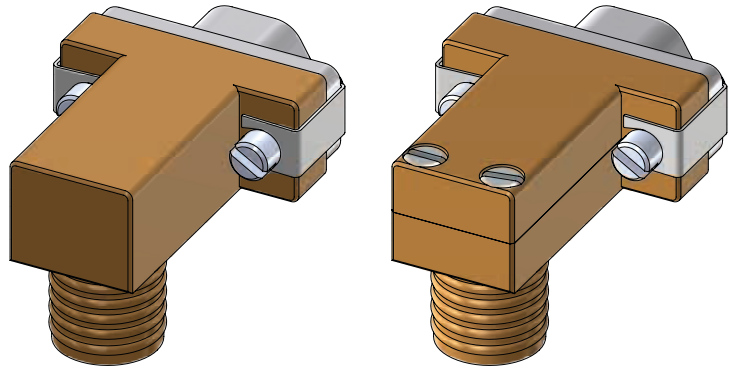
MICRO-D

CABLE EXIT SIZE	W $\pm .010$ (0.25)	AVAILABLE ON SIZE
A	.284 (7.21)	09 THRU 100
B	.344 (8.74)	51 AND 100
C	.384 (9.75)	100 ONLY

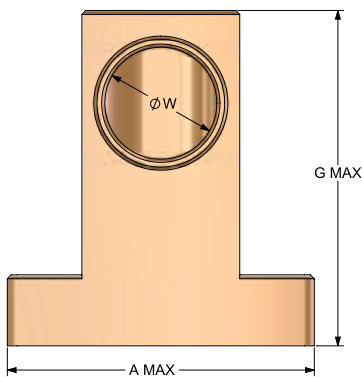
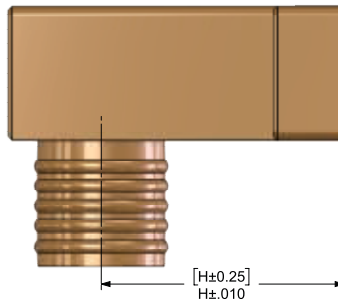
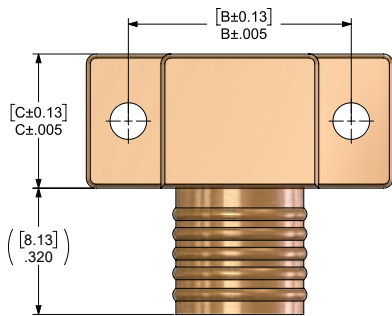
SIZE	A MAX	B $\pm .005$ (0.13)	C $\pm .005$ (0.13)	D $\pm .020$
09	.785 (19.94)	.565 (14.35)	.340 (8.64)	.762 (19.35)
15	.935 (23.75)	.715 (18.16)		.812 (20.62)
21	1.085 (27.56)	.865 (21.97)		.862 (21.89)
25	1.185 (30.10)	.965 (24.51)		.912 (23.16)
31	1.335 (33.91)	1.115 (28.32)		.952 (24.18)
37	1.485 (36.45)	1.265 (32.13)		.992 (25.20)
51	1.435 (36.45)	1.215 (30.86)	.400 (10.16)	1.072 (27.32)
69	1.735 (44.07)	1.515 (34.48)		1.102 (27.99)
100	2.175 (55.25)	1.800 (45.72)		.450 (11.43)

Note: Split backshell is dimensionally identical to one piece style

Circular Right Angle Cable Exit



Connector Shown for Reference Only
(Order Separately)



CABLE EXIT SIZE	W ±.010 (0.25)	AVAILABLE ON SIZE
A	.284 (7.21)	09 THRU 100
B	.344 (8.74)	51 THRU 100
C	.384 (9.75)	100 ONLY

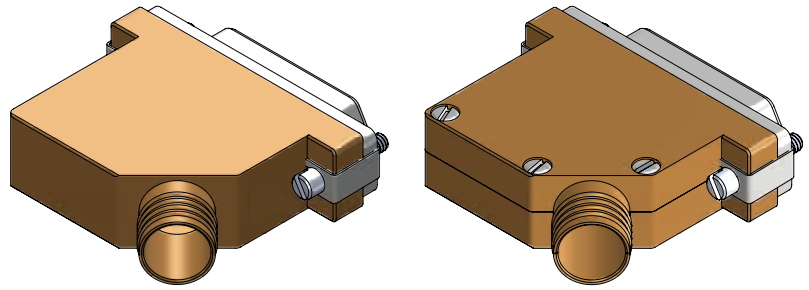
SIZE	A MAX	B ±.005 (0.13)	C ±.005 (0.13)	G MAX	H ±.010 (0.25)
09	.785 (19.94)	.565 (14.35)	.340 (8.64)	.865 (21.97)	.625 (15.88)
15	.935 (23.75)	.715 (18.16)			
21	1.085 (27.56)	.865 (21.97)			
25	1.185 (30.10)	.965 (24.51)			
31	1.335 (33.91)	1.115 (28.32)			
37	1.485 (37.72)	1.265 (32.13)	.400 (10.16)	.925 (23.50)	.645 (16.38)
51	1.435 (36.45)	1.215 (30.86)			
69	1.735 (44.07)	1.515 (34.48)			
100	2.175 (55.25)	1.800 (45.72)	.450 (11.43)	.960 (24.39)	.657 (16.69)

Note: Split backshell is dimensionally identical to one piece style

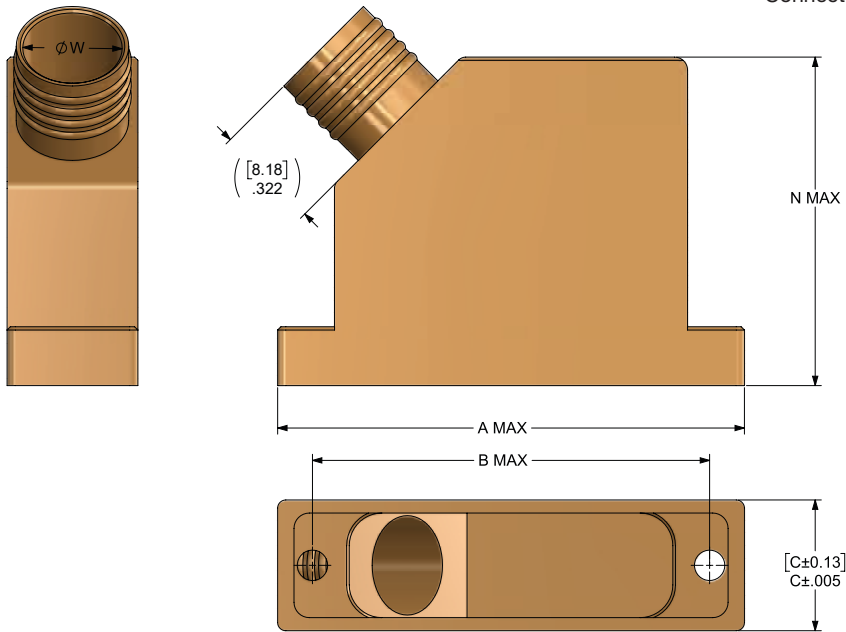
MICRO-D EMI BACKSHELLS

SERIES MBS

Circular 45° Cable Exit



Connector Shown for Reference Only
(Order Separately)



MICRO-D

CABLE EXIT SIZE	W	AVAILABLE ON SIZE
A	.284 (7.21)	09 THRU 100
B	.344 (8.74)	51 THRU 100
C	.384 (9.75)	100 ONLY

SIZE	A MAX	B ±.005 (0.13)	C ±.005 (0.13)	N MAX
09	.785 (19.94)	.565 (14.35)	.340 (8.64)	.865 (21.97)
15	.935 (23.75)	.715 (18.16)		
21	1.085 (27.56)	.865 (21.97)		
25	1.185 (30.10)	.965 (24.51)		
31	1.335 (33.91)	1.115 (28.32)		
37	1.485 (37.72)	1.265 (32.13)	.400 (10.16)	.925 (23.50)
51	1.435 (36.45)	1.215 (30.86)		
69	1.735 (44.07)	1.515 (38.48)		
100	2.175 (55.25)	1.800 (45.72)	.450 (11.43)	.960 (24.39)

Note: Split backshell is dimensionally identical to one piece style

MICRO-D DUST CAPS

SERIES MDCE

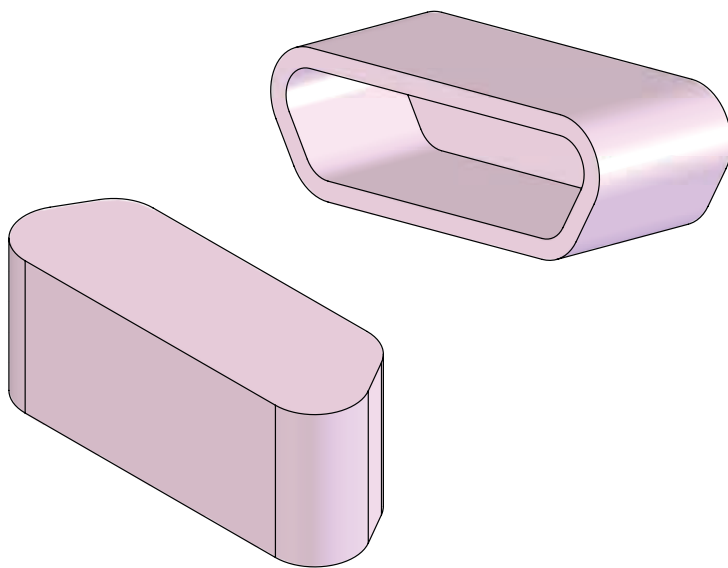
Amphenol CANADA
SUITABLE FOR M83513 CONNECTORS

1.	2.	3.
Micro-D Dust Cap	Connector Size (Number of Contacts)	Connector Type
MDCE-	09-	P

1. Connector Series	
MDCE-	Micro-D Dust Cap

2. Connector Size (Number of Contacts)
09-
15-
21-
25-
31-
37-
51-
69-
100-

3. Connector Type	
P	Plug (Pin)
S	Receptacles (Socket)



MATERIAL: Statically Dissipative

COLOR: Pink/Black

Part Number Chart
MDCE-09-P
MDCE-15-P
MDCE-21-P
MDCE-25-P
MDCE-31-P
MDCE-37-P
MDCE-51-P
MDCE-69-P
MDCE-100-P
MDCE-09-S
MDCE-15-S
MDCE-21-S
MDCE-25-S
MDCE-31-S
MDCE-37-S
MDCE-51-S
MDCE-69-S
MDCE-100-S

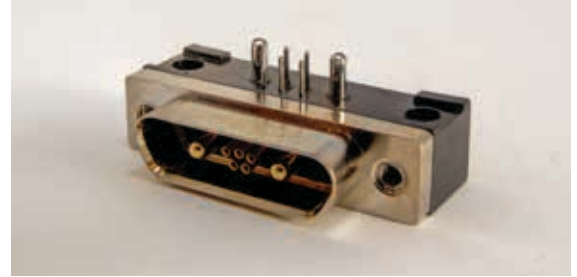
MICRO-D SPECIALTY CONNECTORS

Need A Special Connector?

Amphenol has designed a range of specialty connectors to meet your specific requirements. Our connectors are designed to be compact, robust, and multi-functional. Please contact us for more information.

COMBO / HYBRID MICRO-D

- Suitable for compact designs
- Coax / Power / Signal contacts
- Metal or plastic shell
- Available sizes 9 thru 100
- Available in various shell finishes
- Wire or PCB termination
- Standard and custom hardware available



MICRO-D

HIGH TEMPERATURE MICRO-D (200C)

- Suitable for oil and gas applications
- Metal or plastic shell
- Special high temperature dielectric insulator
- High temp solder
- Available sizes 9 thru 100
- Available in various shell finishes
- Wire gauge range 32 AWG to 24 AWG
- Multiple wire lengths (+1.00 / -0.00)
- Standard and custom hardware available



Amphenol designs and manufactures the Right Solution for your needs!

Premium service, fast response time ... imagine the possibilities!

DESIGN CAPABILITIES

- Specialize in cabling arrangements
- Various cable styles- Over Moulded, Back Shell, Shielded, Twisted Pairs, and PCBs
- Multiple Micro-D to Micro-D
- Micro-D to D-Sub
- Micro-D to D38999
- Micro-D to Flex
- Space grade assemblies
- Micro-D to PCB Termination
- Micro-D to header or other product termination
- Single or multiple cable/wire terminations (Micro-D to Micro-D, twisted pairs available)
- Single or multiple cable/wire terminations (Micro-D to D-sub, Shielded Teflon Cable)

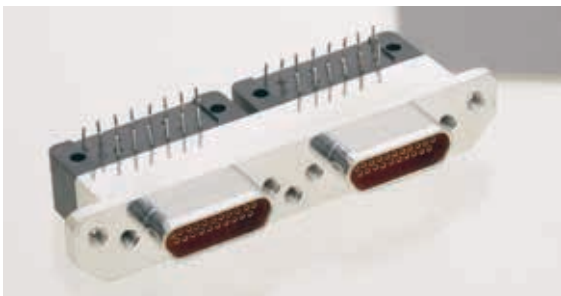
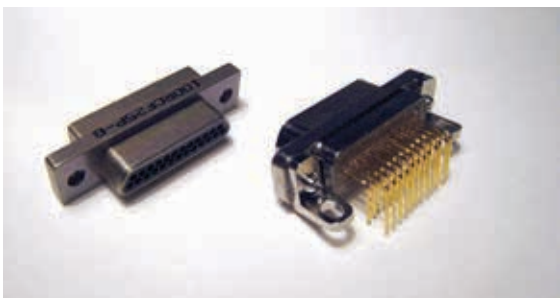






MICRO-D CUSTOM CONNECTORS

MICRO-D

DESIGN CAPABILITIES

- Contact arrangements up to 372 positions
- Contact styles - Fiber Optic, Power, Signal, RF
- Mounting styles - SMT, Through Hole, Press Fit, Solder Cup, Blind Mate
- Custom contact lengths for multiple PCB thickness
- Custom connector shell designs available
- Standard and custom hardware available
- Custom surface mount with guide pins and threaded mounting features
- Custom insert pattern (signal & power or coax contacts)
- Custom strip line connector with mounting features
- Double or multiple bay (vertical / horizontal orientation)



HIGH SPEED PROTOCOL	MICRO-D
10Base-T Ethernet 1000Base-T Gigabit Ethernet USB 2.0 SATA 1.0 SATA 2.0	 15 Pin
SATA 3.0	 21 Pin
10GBase-T Gigabit Ethernet USB 3.0	 25 Pin
DVI Display Port 1.0 Display Port 1.2 HDMI	 51 Pin

MICRO-D WIRE GAUGE CHART

MICRO-D

AWG	DIAMETER	
	(INCH)	(MM)
0000 (4/0)	0.46	11.684
000 (3/0)	0.4096	10.404
00 (2/0)	0.3648	9.266
0 (1/0)	0.3249	8.252
1	0.2893	7.348
2	0.2576	6.544
3	0.2294	5.827
4	0.2043	5.189
5	0.1819	4.621
6	0.162	4.115
7	0.1443	3.665
8	0.1285	3.264
9	0.1144	2.906
10	0.1019	2.588
11	0.0907	2.305
12	0.0808	2.053
13	0.072	1.828
14	0.0641	1.628
15	0.0571	1.45
16	0.0508	1.291
17	0.0453	1.15
18	0.0403	1.024
19	0.0359	0.912
20	0.032	0.812
21	0.0285	0.723
22	0.0253	0.644
23	0.0226	0.573
24	0.0201	0.511
25	0.0179	0.455
26	0.0159	0.405
27	0.0142	0.361
28	0.0126	0.321
29	0.0113	0.286
30	0.01	0.255
31	0.00893	0.227
32	0.00795	0.202
33	0.00708	0.18
34	0.0063	0.16
35	0.00561	0.143
36	0.005	0.127
37	0.00445	0.113
38	0.00397	0.101
39	0.00353	0.0897
40	0.00314	0.0799

PIN	Base Colour	1 st Stripe	2 nd Stripe	3 rd Stripe
1	Black	-	-	-
2	Brown	-	-	-
3	Red	-	-	-
4	Orange	-	-	-
5	Yellow	-	-	-
6	Green	-	-	-
7	Blue	-	-	-
8	Violet	-	-	-
9	Grey	-	-	-
10	White	-	-	-
11	White	Black	-	-
12	White	Brown	-	-
13	White	Red	-	-
14	White	Orange	-	-
15	White	Yellow	-	-
16	White	Green	-	-
17	White	Blue	-	-
18	White	Violet	-	-
19	White	Grey	-	-
20	White	Black	Brown	-
21	White	Black	Red	-
22	White	Black	Orange	-
23	White	Black	Yellow	-
24	White	Black	Green	-
25	White	Black	Blue	-
26	White	Black	Violet	-
27	White	Black	Grey	-
28	White	Brown	Red	-
29	White	Brown	Orange	-
30	White	Brown	Yellow	-
31	White	Brown	Green	-
32	White	Brown	Blue	-
33	White	Brown	Violet	-
34	White	Brown	Grey	-
35	White	Red	Orange	-
36	White	Red	Yellow	-
37	White	Red	Green	-
38	White	Red	Blue	-
39	White	Red	Violet	-
40	White	Red	Grey	-
41	White	Orange	Yellow	-
42	White	Orange	Green	-
43	White	Orange	Blue	-
44	White	Orange	Violet	-
45	White	Orange	Grey	-
46	White	Yellow	Green	-
47	White	Yellow	Blue	-
48	White	Yellow	Violet	-
49	White	Yellow	Grey	-
50	White	Green	Blue	-

PIN	Base Colour	1 st Stripe	2 nd Stripe	3 rd Stripe
51	White	Green	Violet	-
52	White	Green	Grey	-
53	White	Blue	Violet	-
54	White	Blue	Grey	-
55	White	Violet	Grey	-
56	White	Black	Brown	Red
57	White	Black	Brown	Orange
58	White	Black	Brown	Yellow
59	White	Black	Brown	Green
60	White	Black	Brown	Blue
61	White	Black	Brown	Violet
62	White	Black	Brown	Grey
63	White	Black	Red	Orange
64	White	Black	Red	Yellow
65	White	Black	Red	Green
66	White	Black	Red	Blue
67	White	Black	Red	Violet
68	White	Black	Red	Grey
69	White	Black	Orange	Yellow
70	White	Black	Orange	Green
71	White	Black	Orange	Blue
72	White	Black	Orange	Violet
73	White	Black	Orange	Grey
74	White	Black	Yellow	Green
75	White	Black	Yellow	Blue
76	White	Black	Yellow	Violet
77	White	Black	Yellow	Grey
78	White	Black	Green	Blue
79	White	Black	Green	Violet
80	White	Black	Green	Grey
81	White	Black	Blue	Violet
82	White	Black	Blue	Grey
83	White	Black	Violet	Grey
84	White	Brown	Red	Orange
85	White	Brown	Red	Yellow
86	White	Brown	Red	Green
87	White	Brown	Red	Blue
88	White	Brown	Red	Violet
89	White	Brown	Red	Grey
90	White	Brown	Orange	Yellow
91	White	Brown	Orange	Green
92	White	Brown	Orange	Blue
93	White	Brown	Orange	Violet
94	White	Brown	Orange	Grey
95	White	Brown	Yellow	Green
96	White	Brown	Yellow	Blue
97	White	Brown	Yellow	Violet
98	White	Brown	Yellow	Grey
99	White	Brown	Green	Blue
100	White	Brown	Green	Violet

Mil-Spec	Amphenol
M83513/01-AA	100RL09P-B
M83513/01-AC	100RC09P-B
M83513/01-AK	100RK09P-B
M83513/01-AN	100RN09P-B
M83513/01-AP	104R09P-B
M83513/01-AT	100RT09P-B
M83513/01-BA	100RL15P-B
M83513/01-BC	100RC15P-B
M83513/01-BK	100RK15P-B
M83513/01-BN	100RN15P-B
M83513/01-BP	104R15P-B
M83513/01-BT	100RT15P-B
M83513/01-CA	100RL21P-B
M83513/01-CC	100RC21P-B
M83513/01-CK	100RK21P-B
M83513/01-CN	100RN21P-B
M83513/01-CP	104R21P-B
M83513/01-CT	100RT21P-B
M83513/01-DA	100RL25P-B
M83513/01-DC	100RC25P-B
M83513/01-DK	100RK25P-B
M83513/01-DN	100RN25P-B
M83513/01-DP	104R25P-B
M83513/01-DT	100RT25P-B
M83513/01-EA	100RL31P-B
M83513/01-EC	100RC31P-B
M83513/01-EK	100RK31P-B
M83513/01-EN	100RN31P-B
M83513/01-EP	104R31P-B
M83513/01-ET	100RT31P-B
M83513/01-FA	100RL37P-B
M83513/01-FC	100RC37P-B
M83513/01-FK	100RK37P-B
M83513/01-FN	100RN37P-B
M83513/01-FP	104R37P-B
M83513/01-FT	100RT37P-B
M83513/01-GA	100RL51P-B
M83513/01-GC	100RC51P-B
M83513/01-GK	100RK51P-B
M83513/01-GN	100RN51P-B
M83513/01-GP	104R51P-B
M83513/01-GT	100RT51P-B
M83513/01-HA	100RL100P-B
M83513/01-HC	100RC100P-B
M83513/01-HK	100RK100P-B
M83513/01-HN	100RN100P-B
M83513/01-HP	104R100P-B
M83513/01-HT	100RT100P-B
M83513/02-AA	100RL09S-B

Mil-Spec	Amphenol
M83513/02-AC	100RC09S-B
M83513/02-AK	100RK09S-B
M83513/02-AN	100RN09S-B
M83513/02-AP	104R09S-B
M83513/02-AT	100RT09S-B
M83513/02-BA	100RL15S-B
M83513/02-BC	100RC15S-B
M83513/02-BK	100RK15S-B
M83513/02-BN	100RN15S-B
M83513/02-BP	104R15S-B
M83513/02-BT	100RT15S-B
M83513/02-CA	100RL21S-B
M83513/02-CC	100RC21S-B
M83513/02-CK	100RK21S-B
M83513/02-CN	100RN21S-B
M83513/02-CP	104R21S-B
M83513/02-CT	100RT21S-B
M83513/02-DA	100RL25S-B
M83513/02-DC	100RC25S-B
M83513/02-DK	100RK25S-B
M83513/02-DN	100RN25S-B
M83513/02-DP	104R25S-B
M83513/02-DT	100RT25S-B
M83513/02-EA	100RL31S-B
M83513/02-EC	100RC31S-B
M83513/02-EK	100RK31S-B
M83513/02-EN	100RN31S-B
M83513/02-EP	104R31S-B
M83513/02-ET	100RT31S-B
M83513/02-FA	100RL37S-B
M83513/02-FC	100RC37S-B
M83513/02-FK	100RK37S-B
M83513/02-FN	100RN37S-B
M83513/02-FP	104R37S-B
M83513/02-FT	100RT37S-B
M83513/02-GA	100RL51S-B
M83513/02-GC	100RC51S-B
M83513/02-GK	100RK51S-B
M83513/02-GN	100RN51S-B
M83513/02-GP	104R51S-B
M83513/02-GT	100RT51S-B
M83513/02-HA	100RL100S-B
M83513/02-HC	100RC100S-B
M83513/02-HK	100RK100S-B
M83513/02-HN	100RN100S-B
M83513/02-HP	104R100S-B
M83513/02-HT	100RT100S-B
M83513/03-A01A	100RL09P-4E1AB
M83513/03-A01C	100RC09P-4E1AB

Mil-Spec	Amphenol
M83513/03-A01K	100RK09P-4E1AB
M83513/03-A01N	100RN09P-4E1AB
M83513/03-A01P	104R09P-4E1AB
M83513/03-A01T	100RT09P-4E1AB
M83513/03-A02A	100RL09P-4E1BB
M83513/03-A02C	100RC09P-4E1BB
M83513/03-A02K	100RK09P-4E1BB
M83513/03-A02N	100RN09P-4E1BB
M83513/03-A02P	104R09P-4E1BB
M83513/03-A02T	100RT09P-4E1BB
M83513/03-A03A	100RL09P-4E6AB
M83513/03-A03C	100RC09P-4E6AB
M83513/03-A03K	100RK09P-4E6AB
M83513/03-A03N	100RN09P-4E6AB
M83513/03-A03P	104R09P-4E6AB
M83513/03-A03T	100RT09P-4E6AB
M83513/03-A04A	100RL09P-4E6BB
M83513/03-A04C	100RC09P-4E6BB
M83513/03-A04K	100RK09P-4E6BB
M83513/03-A04N	100RN09P-4E6BB
M83513/03-A04P	104R09P-4E6BB
M83513/03-A04T	100RT09P-4E6BB
M83513/03-A05C	100RC09P-5L4DB
M83513/03-A05K	100RK09P-5L4DB
M83513/03-A05N	100RN09P-5L4DB
M83513/03-A05T	100RT09P-5L4DB
M83513/03-A06C	100RC09P-5L4EB
M83513/03-A06K	100RK09P-5L4EB
M83513/03-A06N	100RN09P-5L4EB
M83513/03-A06T	100RT09P-5L4EB
M83513/03-A07C	100RC09P-5L3DB
M83513/03-A07K	100RK09P-5L3DB
M83513/03-A07N	100RN09P-5L3DB
M83513/03-A07T	100RT09P-5L3DB
M83513/03-A08C	100RC09P-5L3EB
M83513/03-A08K	100RK09P-5L3EB
M83513/03-A08N	100RN09P-5L3EB
M83513/03-A08T	100RT09P-5L3EB
M83513/03-A09A	100RL09P-4F1AB
M83513/03-A09C	100RC09P-4F1AB
M83513/03-A09K	100RK09P-4F1AB
M83513/03-A09N	100RN09P-4F1AB
M83513/03-A09P	104R09P-4F1AB
M83513/03-A09T	100RT09P-4F1AB
M83513/03-A10A	100RL09P-4F1BB
M83513/03-A10C	100RC09P-4F1BB
M83513/03-A10K	100RK09P-4F1BB
M83513/03-A10N	100RN09P-4F1BB
M83513/03-A10P	104R09P-4F1BB

PART NUMBER CROSS REFERENCE

MICRO-D

Mil-Spec	Amphenol	Mil-Spec	Amphenol	Mil-Spec	Amphenol
M83513/03-A10T	100RT09P-4F1BB	M83513/03-B03A	100RL15P-4E6AB	M83513/03-B12N	100RN15P-4F5BB
M83513/03-A11A	100RL09P-4F5AB	M83513/03-B03C	100RC15P-4E6AB	M83513/03-B12P	104R15P-4F5BB
M83513/03-A11C	100RC09P-4F5AB	M83513/03-B03K	100RK15P-4E6AB	M83513/03-B12T	100RT15P-4F5BB
M83513/03-A11K	100RK09P-4F5AB	M83513/03-B03N	100RN15P-4E6AB	M83513/03-B13A	100RL15P-4E1CB
M83513/03-A11N	100RN09P-4F5AB	M83513/03-B03P	104R15P-4E6AB	M83513/03-B13C	100RC15P-4E1CB
M83513/03-A11P	104R09P-4F5AB	M83513/03-B03T	100RT15P-4E6AB	M83513/03-B13K	100RK15P-4E1CB
M83513/03-A11T	100RT09P-4F5AB	M83513/03-B04A	100RL15P-4E6BB	M83513/03-B13N	100RN15P-4E1CB
M83513/03-A12A	100RL09P-4F5BB	M83513/03-B04C	100RC15P-4E6BB	M83513/03-B13P	104R15P-4E1CB
M83513/03-A12C	100RC09P-4F5BB	M83513/03-B04K	100RK15P-4E6BB	M83513/03-B13T	100RT15P-4E1CB
M83513/03-A12K	100RK09P-4F5BB	M83513/03-B04N	100RN15P-4E6BB	M83513/03-B14A	100RL15P-4E6CB
M83513/03-A12N	100RN09P-4F5BB	M83513/03-B04P	104R15P-4E6BB	M83513/03-B14C	100RC15P-4E6CB
M83513/03-A12P	104R09P-4F5BB	M83513/03-B04T	100RT15P-4E6BB	M83513/03-B14K	100RK15P-4E6CB
M83513/03-A12T	100RT09P-4F5BB	M83513/03-B05C	100RC15P-5L4DB	M83513/03-B14N	100RN15P-4E6CB
M83513/03-A13A	100RL09P-4E1CB	M83513/03-B05K	100RK15P-5L4DB	M83513/03-B14P	104R15P-4E6CB
M83513/03-A13C	100RC09P-4E1CB	M83513/03-B05N	100RN15P-5L4DB	M83513/03-B14T	100RT15P-4E6CB
M83513/03-A13K	100RK09P-4E1CB	M83513/03-B05T	100RT15P-5L4DB	M83513/03-B15A	100RL15P-4F1CB
M83513/03-A13N	100RN09P-4E1CB	M83513/03-B06C	100RC15P-5L4EB	M83513/03-B15C	100RC15P-4F1CB
M83513/03-A13P	104R09P-4E1CB	M83513/03-B06K	100RK15P-5L4EB	M83513/03-B15K	100RK15P-4F1CB
M83513/03-A13T	100RT09P-4E1CB	M83513/03-B06N	100RN15P-5L4EB	M83513/03-B15N	100RN15P-4F1CB
M83513/03-A14A	100RL09P-4E6CB	M83513/03-B06T	100RT15P-5L4EB	M83513/03-B15P	104R15P-4F1CB
M83513/03-A14C	100RC09P-4E6CB	M83513/03-B07C	100RC15P-5L3DB	M83513/03-B15T	100RT15P-4F1CB
M83513/03-A14K	100RK09P-4E6CB	M83513/03-B07K	100RK15P-5L3DB	M83513/03-B16A	100RL15P-4F5CB
M83513/03-A14N	100RN09P-4E6CB	M83513/03-B07N	100RN15P-5L3DB	M83513/03-B16C	100RC15P-4F5CB
M83513/03-A14P	104R09P-4E6CB	M83513/03-B07T	100RT15P-5L3DB	M83513/03-B16K	100RK15P-4F5CB
M83513/03-A14T	100RT09P-4E6CB	M83513/03-B08C	100RC15P-5L3EB	M83513/03-B16N	100RN15P-4F5CB
M83513/03-A15A	100RL09P-4F1CB	M83513/03-B08K	100RK15P-5L3EB	M83513/03-B16P	104R15P-4F5CB
M83513/03-A15C	100RC09P-4F1CB	M83513/03-B08N	100RN15P-5L3EB	M83513/03-B16T	100RT15P-4F5CB
M83513/03-A15K	100RK09P-4F1CB	M83513/03-B08T	100RT15P-5L3EB	M83513/03-C01A	100RL21P-4E1AB
M83513/03-A15N	100RN09P-4F1CB	M83513/03-B09A	100RL15P-4F1AB	M83513/03-C01C	100RC21P-4E1AB
M83513/03-A15P	104R09P-4F1CB	M83513/03-B09C	100RC15P-4F1AB	M83513/03-C01K	100RK21P-4E1AB
M83513/03-A15T	100RT09P-4F1CB	M83513/03-B09K	100RK15P-4F1AB	M83513/03-C01N	100RN21P-4E1AB
M83513/03-A16A	100RL09P-4F5CB	M83513/03-B09N	100RN15P-4F1AB	M83513/03-C01P	104R21P-4E1AB
M83513/03-A16C	100RC09P-4F5CB	M83513/03-B09P	104R15P-4F1AB	M83513/03-C01T	100RT21P-4E1AB
M83513/03-A16K	100RK09P-4F5CB	M83513/03-B09T	100RT15P-4F1AB	M83513/03-C02A	100RL21P-4E1BB
M83513/03-A16N	100RN09P-4F5CB	M83513/03-B10A	100RL15P-4F1BB	M83513/03-C02C	100RC21P-4E1BB
M83513/03-A16P	104R09P-4F5CB	M83513/03-B10C	100RC15P-4F1BB	M83513/03-C02K	100RK21P-4E1BB
M83513/03-A16T	100RT09P-4F5CB	M83513/03-B10K	100RK15P-4F1BB	M83513/03-C02N	100RN21P-4E1BB
M83513/03-B01A	100RL15P-4E1AB	M83513/03-B10N	100RN15P-4F1BB	M83513/03-C02P	104R21P-4E1BB
M83513/03-B01C	100RC15P-4E1AB	M83513/03-B10P	104R15P-4F1BB	M83513/03-C02T	100RT21P-4E1BB
M83513/03-B01K	100RK15P-4E1AB	M83513/03-B10T	100RT15P-4F1BB	M83513/03-C03A	100RL21P-4E6AB
M83513/03-B01N	100RN15P-4E1AB	M83513/03-B11A	100RL15P-4F5AB	M83513/03-C03C	100RC21P-4E6AB
M83513/03-B01P	104R15P-4E1AB	M83513/03-B11C	100RC15P-4F5AB	M83513/03-C03K	100RK21P-4E6AB
M83513/03-B01T	100RT15P-4E1AB	M83513/03-B11K	100RK15P-4F5AB	M83513/03-C03N	100RN21P-4E6AB
M83513/03-B02A	100RL15P-4E1BB	M83513/03-B11N	100RN15P-4F5AB	M83513/03-C03P	104R21P-4E6AB
M83513/03-B02C	100RC15P-4E1BB	M83513/03-B11P	104R15P-4F5AB	M83513/03-C03T	100RT21P-4E6AB
M83513/03-B02K	100RK15P-4E1BB	M83513/03-B11T	100RT15P-4F5AB	M83513/03-C04A	100RL21P-4E6BB
M83513/03-B02N	100RN15P-4E1BB	M83513/03-B12A	100RL15P-4F5BB	M83513/03-C04C	100RC21P-4E6BB
M83513/03-B02P	104R15P-4E1BB	M83513/03-B12C	100RC15P-4F5BB	M83513/03-C04K	100RK21P-4E6BB
M83513/03-B02T	100RT15P-4E1BB	M83513/03-B12K	100RK15P-4F5BB	M83513/03-C04N	100RN21P-4E6BB

PART NUMBER CROSS REFERENCE

Mil-Spec	Amphenol	Mil-Spec	Amphenol	Mil-Spec	Amphenol
M83513/03-C04P	104R21P-4E6BB	M83513/03-C14C	100RC21P-4E6CB	M83513/03-D07C	100RC25P-5L3DB
M83513/03-C04T	100RT21P-4E6BB	M83513/03-C14K	100RK21P-4E6CB	M83513/03-D07K	100RK25P-5L3DB
M83513/03-C05C	100RC21P-5L4DB	M83513/03-C14N	100RN21P-4E6CB	M83513/03-D07N	100RN25P-5L3DB
M83513/03-C05K	100RK21P-5L4DB	M83513/03-C14P	104R21P-4E6CB	M83513/03-D07T	100RT25P-5L3DB
M83513/03-C05N	100RN21P-5L4DB	M83513/03-C14T	100RT21P-4E6CB	M83513/03-D08C	100RC25P-5L3EB
M83513/03-C05T	100RT21P-5L4DB	M83513/03-C15A	100RL21P-4F1CB	M83513/03-D08K	100RK25P-5L3EB
M83513/03-C06C	100RC21P-5L4EB	M83513/03-C15C	100RC21P-4F1CB	M83513/03-D08N	100RN25P-5L3EB
M83513/03-C06K	100RK21P-5L4EB	M83513/03-C15K	100RK21P-4F1CB	M83513/03-D08T	100RT25P-5L3EB
M83513/03-C06N	100RN21P-5L4EB	M83513/03-C15N	100RN21P-4F1CB	M83513/03-D09A	100RL25P-4F1AB
M83513/03-C06T	100RT21P-5L4EB	M83513/03-C15P	104R21P-4F1CB	M83513/03-D09C	100RC25P-4F1AB
M83513/03-C07C	100RC21P-5L3DB	M83513/03-C15T	100RT21P-4F1CB	M83513/03-D09K	100RK25P-4F1AB
M83513/03-C07K	100RK21P-5L3DB	M83513/03-C16A	100RL21P-4F5CB	M83513/03-D09N	100RN25P-4F1AB
M83513/03-C07N	100RN21P-5L3DB	M83513/03-C16C	100RC21P-4F5CB	M83513/03-D09P	104R25P-4F1AB
M83513/03-C07T	100RT21P-5L3DB	M83513/03-C16K	100RK21P-4F5CB	M83513/03-D09T	100RT25P-4F1AB
M83513/03-C08C	100RC21P-5L3EB	M83513/03-C16N	100RN21P-4F5CB	M83513/03-D10A	100RL25P-4F1BB
M83513/03-C08K	100RK21P-5L3EB	M83513/03-C16P	104R21P-4F5CB	M83513/03-D10C	100RC25P-4F1BB
M83513/03-C08N	100RN21P-5L3EB	M83513/03-C16T	100RT21P-4F5CB	M83513/03-D10K	100RK25P-4F1BB
M83513/03-C08T	100RT21P-5L3EB	M83513/03-D01A	100RL25P-4E1AB	M83513/03-D10N	100RN25P-4F1BB
M83513/03-C09A	100RL21P-4F1AB	M83513/03-D01C	100RC25P-4E1AB	M83513/03-D10P	104R25P-4F1BB
M83513/03-C09C	100RC21P-4F1AB	M83513/03-D01K	100RK25P-4E1AB	M83513/03-D10T	100RT25P-4F1BB
M83513/03-C09K	100RK21P-4F1AB	M83513/03-D01N	100RN25P-4E1AB	M83513/03-D11A	100RL25P-4F5AB
M83513/03-C09N	100RN21P-4F1AB	M83513/03-D01P	104R25P-4E1AB	M83513/03-D11C	100RC25P-4F5AB
M83513/03-C09P	104R21P-4F1AB	M83513/03-D01T	100RT25P-4E1AB	M83513/03-D11K	100RK25P-4F5AB
M83513/03-C09T	100RT21P-4F1AB	M83513/03-D02A	100RL25P-4E1BB	M83513/03-D11N	100RN25P-4F5AB
M83513/03-C10A	100RL21P-4F1BB	M83513/03-D02C	100RC25P-4E1BB	M83513/03-D11P	104R25P-4F5AB
M83513/03-C10C	100RC21P-4F1BB	M83513/03-D02K	100RK25P-4E1BB	M83513/03-D11T	100RT25P-4F5AB
M83513/03-C10K	100RK21P-4F1BB	M83513/03-D02N	100RN25P-4E1BB	M83513/03-D12A	100RL25P-4F5BB
M83513/03-C10N	100RN21P-4F1BB	M83513/03-D02P	104R25P-4E1BB	M83513/03-D12C	100RC25P-4F5BB
M83513/03-C10P	104R21P-4F1BB	M83513/03-D02T	100RT25P-4E1BB	M83513/03-D12K	100RK25P-4F5BB
M83513/03-C10T	100RT21P-4F1BB	M83513/03-D03A	100RL25P-4E6AB	M83513/03-D12N	100RN25P-4F5BB
M83513/03-C11A	100RL21P-4F5AB	M83513/03-D03C	100RC25P-4E6AB	M83513/03-D12P	104R25P-4F5BB
M83513/03-C11C	100RC21P-4F5AB	M83513/03-D03K	100RK25P-4E6AB	M83513/03-D12T	100RT25P-4F5BB
M83513/03-C11K	100RK21P-4F5AB	M83513/03-D03N	100RN25P-4E6AB	M83513/03-D13A	100RL25P-4E1CB
M83513/03-C11N	100RN21P-4F5AB	M83513/03-D03P	104R25P-4E6AB	M83513/03-D13C	100RC25P-4E1CB
M83513/03-C11P	104R21P-4F5AB	M83513/03-D03T	100RT25P-4E6AB	M83513/03-D13K	100RK25P-4E1CB
M83513/03-C11T	100RT21P-4F5AB	M83513/03-D04A	100RL25P-4E6BB	M83513/03-D13N	100RN25P-4E1CB
M83513/03-C12A	100RL21P-4F5BB	M83513/03-D04C	100RC25P-4E6BB	M83513/03-D13P	104R25P-4E1CB
M83513/03-C12C	100RC21P-4F5BB	M83513/03-D04K	100RK25P-4E6BB	M83513/03-D13T	100RT25P-4E1CB
M83513/03-C12K	100RK21P-4F5BB	M83513/03-D04N	100RN25P-4E6BB	M83513/03-D14A	100RL25P-4E6CB
M83513/03-C12N	100RN21P-4F5BB	M83513/03-D04P	104R25P-4E6BB	M83513/03-D14C	100RC25P-4E6CB
M83513/03-C12P	104R21P-4F5BB	M83513/03-D04T	100RT25P-4E6BB	M83513/03-D14K	100RK25P-4E6CB
M83513/03-C12T	100RT21P-4F5BB	M83513/03-D05C	100RC25P-5L4DB	M83513/03-D14N	100RN25P-4E6CB
M83513/03-C13A	100RL21P-4E1CB	M83513/03-D05K	100RK25P-5L4DB	M83513/03-D14P	104R25P-4E6CB
M83513/03-C13C	100RC21P-4E1CB	M83513/03-D05N	100RN25P-5L4DB	M83513/03-D14T	100RT25P-4E6CB
M83513/03-C13K	100RK21P-4E1CB	M83513/03-D05T	100RT25P-5L4DB	M83513/03-D15A	100RL25P-4F1CB
M83513/03-C13N	100RN21P-4E1CB	M83513/03-D06C	100RC25P-5L4EB	M83513/03-D15C	100RC25P-4F1CB
M83513/03-C13P	104R21P-4E1CB	M83513/03-D06K	100RK25P-5L4EB	M83513/03-D15K	100RK25P-4F1CB
M83513/03-C13T	100RT21P-4E1CB	M83513/03-D06N	100RN25P-5L4EB	M83513/03-D15N	100RN25P-4F1CB
M83513/03-C14A	100RL21P-4E6CB	M83513/03-D06T	100RT25P-5L4EB	M83513/03-D15P	104R25P-4F1CB

PART NUMBER CROSS REFERENCE

Mil-Spec	Amphenol	Mil-Spec	Amphenol	Mil-Spec	Amphenol
M83513/03-D15T	100RT25P-4F1CB	M83513/03-E09K	100RK31P-4F1AB	M83513/03-F01N	100RN37P-4E1AB
M83513/03-D16A	100RL25P-4F5CB	M83513/03-E09N	100RN31P-4F1AB	M83513/03-F01P	104R37P-4E1AB
M83513/03-D16C	100RC25P-4F5CB	M83513/03-E09P	104R31P-4F1AB	M83513/03-F01T	100RT37P-4E1AB
M83513/03-D16K	100RK25P-4F5CB	M83513/03-E09T	100RT31P-4F1AB	M83513/03-F02A	100RL37P-4E1BB
M83513/03-D16N	100RN25P-4F5CB	M83513/03-E10A	100RL31P-4F1BB	M83513/03-F02C	100RC37P-4E1BB
M83513/03-D16P	104R25P-4F5CB	M83513/03-E10C	100RC31P-4F1BB	M83513/03-F02K	100RK37P-4E1BB
M83513/03-D16T	100RT25P-4F5CB	M83513/03-E10K	100RK31P-4F1BB	M83513/03-F02N	100RN37P-4E1BB
M83513/03-E01A	100RL31P-4E1AB	M83513/03-E10N	100RN31P-4F1BB	M83513/03-F02P	104R37P-4E1BB
M83513/03-E01C	100RC31P-4E1AB	M83513/03-E10P	104R31P-4F1BB	M83513/03-F02T	100RT37P-4E1BB
M83513/03-E01K	100RK31P-4E1AB	M83513/03-E10T	100RT31P-4F1BB	M83513/03-F03A	100RL37P-4E6AB
M83513/03-E01N	100RN31P-4E1AB	M83513/03-E11A	100RL31P-4F5AB	M83513/03-F03C	100RC37P-4E6AB
M83513/03-E01P	104R31P-4E1AB	M83513/03-E11C	100RC31P-4F5AB	M83513/03-F03K	100RK37P-4E6AB
M83513/03-E01T	100RT31P-4E1AB	M83513/03-E11K	100RK31P-4F5AB	M83513/03-F03N	100RN37P-4E6AB
M83513/03-E02A	100RL31P-4E1BB	M83513/03-E11N	100RN31P-4F5AB	M83513/03-F03P	104R37P-4E6AB
M83513/03-E02C	100RC31P-4E1BB	M83513/03-E11P	104R31P-4F5AB	M83513/03-F03T	100RT37P-4E6AB
M83513/03-E02K	100RK31P-4E1BB	M83513/03-E11T	100RT31P-4F5AB	M83513/03-F04A	100RL37P-4E6BB
M83513/03-E02N	100RN31P-4E1BB	M83513/03-E12A	100RL31P-4F5BB	M83513/03-F04C	100RC37P-4E6BB
M83513/03-E02P	104R31P-4E1BB	M83513/03-E12C	100RC31P-4F5BB	M83513/03-F04K	100RK37P-4E6BB
M83513/03-E02T	100RT31P-4E1BB	M83513/03-E12K	100RK31P-4F5BB	M83513/03-F04N	100RN37P-4E6BB
M83513/03-E03A	100RL31P-4E6AB	M83513/03-E12N	100RN31P-4F5BB	M83513/03-F04P	104R37P-4E6BB
M83513/03-E03C	100RC31P-4E6AB	M83513/03-E12P	104R31P-4F5BB	M83513/03-F04T	100RT37P-4E6BB
M83513/03-E03K	100RK31P-4E6AB	M83513/03-E12T	100RT31P-4F5BB	M83513/03-F05C	100RC37P-5L4DB
M83513/03-E03N	100RN31P-4E6AB	M83513/03-E13A	100RL31P-4E1CB	M83513/03-F05K	100RK37P-5L4DB
M83513/03-E03P	104R31P-4E6AB	M83513/03-E13C	100RC31P-4E1CB	M83513/03-F05N	100RN37P-5L4DB
M83513/03-E03T	100RT31P-4E6AB	M83513/03-E13K	100RK31P-4E1CB	M83513/03-F05T	100RT37P-5L4DB
M83513/03-E04A	100RL31P-4E6BB	M83513/03-E13N	100RN31P-4E1CB	M83513/03-F06C	100RC37P-5L4EB
M83513/03-E04C	100RC31P-4E6BB	M83513/03-E13P	104R31P-4E1CB	M83513/03-F06K	100RK37P-5L4EB
M83513/03-E04K	100RK31P-4E6BB	M83513/03-E13T	100RT31P-4E1CB	M83513/03-F06N	100RN37P-5L4EB
M83513/03-E04N	100RN31P-4E6BB	M83513/03-E14A	100RL31P-4E6CB	M83513/03-F06T	100RT37P-5L4EB
M83513/03-E04P	104R31P-4E6BB	M83513/03-E14C	100RC31P-4E6CB	M83513/03-F07C	100RC37P-5L3DB
M83513/03-E04T	100RT31P-4E6BB	M83513/03-E14K	100RK31P-4E6CB	M83513/03-F07K	100RK37P-5L3DB
M83513/03-E05C	100RC31P-5L4DB	M83513/03-E14N	100RN31P-4E6CB	M83513/03-F07N	100RN37P-5L3DB
M83513/03-E05K	100RK31P-5L4DB	M83513/03-E14P	104R31P-4E6CB	M83513/03-F07T	100RT37P-5L3DB
M83513/03-E05N	100RN31P-5L4DB	M83513/03-E14T	100RT31P-4E6CB	M83513/03-F08C	100RC37P-5L3EB
M83513/03-E05T	100RT31P-5L4DB	M83513/03-E15A	100RL31P-4F1CB	M83513/03-F08K	100RK37P-5L3EB
M83513/03-E06C	100RC31P-5L4EB	M83513/03-E15C	100RC31P-4F1CB	M83513/03-F08N	100RN37P-5L3EB
M83513/03-E06K	100RK31P-5L4EB	M83513/03-E15K	100RK31P-4F1CB	M83513/03-F08T	100RT37P-5L3EB
M83513/03-E06N	100RN31P-5L4EB	M83513/03-E15N	100RN31P-4F1CB	M83513/03-F09A	100RL37P-4F1AB
M83513/03-E06T	100RT31P-5L4EB	M83513/03-E15P	104R31P-4F1CB	M83513/03-F09C	100RC37P-4F1AB
M83513/03-E07C	100RC31P-5L3DB	M83513/03-E15T	100RT31P-4F1CB	M83513/03-F09K	100RK37P-4F1AB
M83513/03-E07K	100RK31P-5L3DB	M83513/03-E16A	100RL31P-4F5CB	M83513/03-F09N	100RN37P-4F1AB
M83513/03-E07N	100RN31P-5L3DB	M83513/03-E16C	100RC31P-4F5CB	M83513/03-F09P	104R37P-4F1AB
M83513/03-E07T	100RT31P-5L3DB	M83513/03-E16K	100RK31P-4F5CB	M83513/03-F09T	100RT37P-4F1AB
M83513/03-E08C	100RC31P-5L3EB	M83513/03-E16N	100RN31P-4F5CB	M83513/03-F10A	100RL37P-4F1BB
M83513/03-E08K	100RK31P-5L3EB	M83513/03-E16P	104R31P-4F5CB	M83513/03-F10C	100RC37P-4F1BB
M83513/03-E08N	100RN31P-5L3EB	M83513/03-E16T	100RT31P-4F5CB	M83513/03-F10K	100RK37P-4F1BB
M83513/03-E08T	100RT31P-5L3EB	M83513/03-F01A	100RL37P-4E1AB	M83513/03-F10N	100RN37P-4F1BB
M83513/03-E09A	100RL31P-4F1AB	M83513/03-F01C	100RC37P-4E1AB	M83513/03-F10P	104R37P-4F1BB
M83513/03-E09C	100RC31P-4F1AB	M83513/03-F01K	100RK37P-4E1AB	M83513/03-F10T	100RT37P-4F1BB

MICRO-D

PART NUMBER CROSS REFERENCE

Mil-Spec	Amphenol	Mil-Spec	Amphenol	Mil-Spec	Amphenol
M83513/03-F11A	100RL37P-4F5AB	M83513/03-G03C	100RC51P-4E6AB	M83513/03-G12P	104R51P-4F5BB
M83513/03-F11C	100RC37P-4F5AB	M83513/03-G03K	100RK51P-4E6AB	M83513/03-G12T	100RT51P-4F5BB
M83513/03-F11K	100RK37P-4F5AB	M83513/03-G03N	100RN51P-4E6AB	M83513/03-G13A	100RL51P-4E1CB
M83513/03-F11N	100RN37P-4F5AB	M83513/03-G03P	104R51P-4E6AB	M83513/03-G13C	100RC51P-4E1CB
M83513/03-F11P	104R37P-4F5AB	M83513/03-G03T	100RT51P-4E6AB	M83513/03-G13K	100RK51P-4E1CB
M83513/03-F11T	100RT37P-4F5AB	M83513/03-G04A	100RL51P-4E6BB	M83513/03-G13N	100RN51P-4E1CB
M83513/03-F12A	100RL37P-4F5BB	M83513/03-G04C	100RC51P-4E6BB	M83513/03-G13P	104R51P-4E1CB
M83513/03-F12C	100RC37P-4F5BB	M83513/03-G04K	100RK51P-4E6BB	M83513/03-G13T	100RT51P-4E1CB
M83513/03-F12K	100RK37P-4F5BB	M83513/03-G04N	100RN51P-4E6BB	M83513/03-G14A	100RL51P-4E6CB
M83513/03-F12N	100RN37P-4F5BB	M83513/03-G04P	104R51P-4E6BB	M83513/03-G14C	100RC51P-4E6CB
M83513/03-F12P	104R37P-4F5BB	M83513/03-G04T	100RT51P-4E6BB	M83513/03-G14K	100RK51P-4E6CB
M83513/03-F12T	100RT37P-4F5BB	M83513/03-G05C	100RC51P-5L4DB	M83513/03-G14N	100RN51P-4E6CB
M83513/03-F13A	100RL37P-4E1CB	M83513/03-G05K	100RK51P-5L4DB	M83513/03-G14P	104R51P-4E6CB
M83513/03-F13C	100RC37P-4E1CB	M83513/03-G05N	100RN51P-5L4DB	M83513/03-G14T	100RT51P-4E6CB
M83513/03-F13K	100RK37P-4E1CB	M83513/03-G05T	100RT51P-5L4DB	M83513/03-G15A	100RL51P-4F1CB
M83513/03-F13N	100RN37P-4E1CB	M83513/03-G06C	100RC51P-5L4EB	M83513/03-G15C	100RC51P-4F1CB
M83513/03-F13P	104R37P-4E1CB	M83513/03-G06K	100RK51P-5L4EB	M83513/03-G15K	100RK51P-4F1CB
M83513/03-F13T	100RT37P-4E1CB	M83513/03-G06N	100RN51P-5L4EB	M83513/03-G15N	100RN51P-4F1CB
M83513/03-F14A	100RL37P-4E6CB	M83513/03-G06T	100RT51P-5L4EB	M83513/03-G15P	104R51P-4F1CB
M83513/03-F14C	100RC37P-4E6CB	M83513/03-G07C	100RC51P-5L3DB	M83513/03-G15T	100RT51P-4F1CB
M83513/03-F14K	100RK37P-4E6CB	M83513/03-G07K	100RK51P-5L3DB	M83513/03-G16A	100RL51P-4F5CB
M83513/03-F14N	100RN37P-4E6CB	M83513/03-G07N	100RN51P-5L3DB	M83513/03-G16C	100RC51P-4F5CB
M83513/03-F14P	104R37P-4E6CB	M83513/03-G07T	100RT51P-5L3DB	M83513/03-G16K	100RK51P-4F5CB
M83513/03-F14T	100RT37P-4E6CB	M83513/03-G08C	100RC51P-5L3EB	M83513/03-G16N	100RN51P-4F5CB
M83513/03-F15A	100RL37P-4F1CB	M83513/03-G08K	100RK51P-5L3EB	M83513/03-G16P	104R51P-4F5CB
M83513/03-F15C	100RC37P-4F1CB	M83513/03-G08N	100RN51P-5L3EB	M83513/03-G16T	100RT51P-4F5CB
M83513/03-F15K	100RK37P-4F1CB	M83513/03-G08T	100RT51P-5L3EB	M83513/03-H01A	100RL100P-4E1AB
M83513/03-F15N	100RN37P-4F1CB	M83513/03-G09A	100RL51P-4F1AB	M83513/03-H01C	100RC100P-4E1AB
M83513/03-F15P	104R37P-4F1CB	M83513/03-G09C	100RC51P-4F1AB	M83513/03-H01K	100RK100P-4E1AB
M83513/03-F15T	100RT37P-4F1CB	M83513/03-G09K	100RK51P-4F1AB	M83513/03-H01N	100RN100P-4E1AB
M83513/03-F16A	100RL37P-4F5CB	M83513/03-G09N	100RN51P-4F1AB	M83513/03-H01P	104R100P-4E1AB
M83513/03-F16C	100RC37P-4F5CB	M83513/03-G09P	104R51P-4F1AB	M83513/03-H01T	100RT100P-4E1AB
M83513/03-F16K	100RK37P-4F5CB	M83513/03-G09T	100RT51P-4F1AB	M83513/03-H02A	100RL100P-4E1BB
M83513/03-F16N	100RN37P-4F5CB	M83513/03-G10A	100RL51P-4F1BB	M83513/03-H02C	100RC100P-4E1BB
M83513/03-F16P	104R37P-4F5CB	M83513/03-G10C	100RC51P-4F1BB	M83513/03-H02K	100RK100P-4E1BB
M83513/03-F16T	100RT37P-4F5CB	M83513/03-G10K	100RK51P-4F1BB	M83513/03-H02N	100RN100P-4E1BB
M83513/03-G01A	100RL51P-4E1AB	M83513/03-G10N	100RN51P-4F1BB	M83513/03-H02P	104R100P-4E1BB
M83513/03-G01C	100RC51P-4E1AB	M83513/03-G10P	104R51P-4F1BB	M83513/03-H02T	100RT100P-4E1BB
M83513/03-G01K	100RK51P-4E1AB	M83513/03-G10T	100RT51P-4F1BB	M83513/03-H03A	100RL100P-4E6AB
M83513/03-G01N	100RN51P-4E1AB	M83513/03-G11A	100RL51P-4F5AB	M83513/03-H03C	100RC100P-4E6AB
M83513/03-G01P	104R51P-4E1AB	M83513/03-G11C	100RC51P-4F5AB	M83513/03-H03K	100RK100P-4E6AB
M83513/03-G01T	100RT51P-4E1AB	M83513/03-G11K	100RK51P-4F5AB	M83513/03-H03N	100RN100P-4E6AB
M83513/03-G02A	100RL51P-4E1BB	M83513/03-G11N	100RN51P-4F5AB	M83513/03-H03P	104R100P-4E6AB
M83513/03-G02C	100RC51P-4E1BB	M83513/03-G11P	104R51P-4F5AB	M83513/03-H03T	100RT100P-4E6AB
M83513/03-G02K	100RK51P-4E1BB	M83513/03-G11T	100RT51P-4F5AB	M83513/03-H04A	100RL100P-4E6BB
M83513/03-G02N	100RN51P-4E1BB	M83513/03-G12A	100RL51P-4F5BB	M83513/03-H04C	100RC100P-4E6BB
M83513/03-G02P	104R51P-4E1BB	M83513/03-G12C	100RC51P-4F5BB	M83513/03-H04K	100RK100P-4E6BB
M83513/03-G02T	100RT51P-4E1BB	M83513/03-G12K	100RK51P-4F5BB	M83513/03-H04N	100RN100P-4E6BB
M83513/03-G03A	100RL51P-4E6AB	M83513/03-G12N	100RN51P-4F5BB	M83513/03-H04P	104R100P-4E6BB

PART NUMBER CROSS REFERENCE

MICRO-D

Mil-Spec	Amphenol	Mil-Spec	Amphenol	Mil-Spec	Amphenol
M83513/03-H04T	100RT100P-4E6BB	M83513/03-H14K	100RK100P-4E6CB	M83513/04-A07K	100RK09S-5L3DB
M83513/03-H05C	100RC100P-5L4DB	M83513/03-H14N	100RN100P-4E6CB	M83513/04-A07N	100RN09S-5L3DB
M83513/03-H05K	100RK100P-5L4DB	M83513/03-H14P	104R100P-4E6CB	M83513/04-A07T	100RT09S-5L3DB
M83513/03-H05N	100RN100P-5L4DB	M83513/03-H14T	100RT100P-4E6CB	M83513/04-A08C	100RC09S-5L3EB
M83513/03-H05T	100RT100P-5L4DB	M83513/03-H15A	100RL100P-4F1CB	M83513/04-A08K	100RK09S-5L3EB
M83513/03-H06C	100RC100P-5L4EB	M83513/03-H15C	100RC100P-4F1CB	M83513/04-A08N	100RN09S-5L3EB
M83513/03-H06K	100RK100P-5L4EB	M83513/03-H15K	100RK100P-4F1CB	M83513/04-A08T	100RT09S-5L3EB
M83513/03-H06N	100RN100P-5L4EB	M83513/03-H15N	100RN100P-4F1CB	M83513/04-A09A	100RL09S-4F1AB
M83513/03-H06T	100RT100P-5L4EB	M83513/03-H15P	104R100P-4F1CB	M83513/04-A09C	100RC09S-4F1AB
M83513/03-H07C	100RC100P-5L3DB	M83513/03-H15T	100RT100P-4F1CB	M83513/04-A09K	100RK09S-4F1AB
M83513/03-H07K	100RK100P-5L3DB	M83513/03-H16A	100RL100P-4F5CB	M83513/04-A09N	100RN09S-4F1AB
M83513/03-H07N	100RN100P-5L3DB	M83513/03-H16C	100RC100P-4F5CB	M83513/04-A09P	104R09S-4F1AB
M83513/03-H07T	100RT100P-5L3DB	M83513/03-H16K	100RK100P-4F5CB	M83513/04-A09T	100RT09S-4F1AB
M83513/03-H08C	100RC100P-5L3EB	M83513/03-H16N	100RN100P-4F5CB	M83513/04-A10A	100RL09S-4F1BB
M83513/03-H08K	100RK100P-5L3EB	M83513/03-H16P	104R100P-4F5CB	M83513/04-A10C	100RC09S-4F1BB
M83513/03-H08N	100RN100P-5L3EB	M83513/03-H16T	100RT100P-4F5CB	M83513/04-A10K	100RK09S-4F1BB
M83513/03-H08T	100RT100P-5L3EB	M83513/04-A01A	100RL09S-4E1AB	M83513/04-A10N	100RN09S-4F1BB
M83513/03-H09A	100RL100P-4F1AB	M83513/04-A01C	100RC09S-4E1AB	M83513/04-A10P	104R09S-4F1BB
M83513/03-H09C	100RC100P-4F1AB	M83513/04-A01K	100RK09S-4E1AB	M83513/04-A10T	100RT09S-4F1BB
M83513/03-H09K	100RK100P-4F1AB	M83513/04-A01N	100RN09S-4E1AB	M83513/04-A11A	100RL09S-4F5AB
M83513/03-H09N	100RN100P-4F1AB	M83513/04-A01P	104R09S-4E1AB	M83513/04-A11C	100RC09S-4F5AB
M83513/03-H09P	104R100P-4F1AB	M83513/04-A01T	100RT09S-4E1AB	M83513/04-A11K	100RK09S-4F5AB
M83513/03-H09T	100RT100P-4F1AB	M83513/04-A02A	100RL09S-4E1BB	M83513/04-A11N	100RN09S-4F5AB
M83513/03-H10A	100RL100P-4F1BB	M83513/04-A02C	100RC09S-4E1BB	M83513/04-A11P	104R09S-4F5AB
M83513/03-H10C	100RC100P-4F1BB	M83513/04-A02K	100RK09S-4E1BB	M83513/04-A11T	100RT09S-4F5AB
M83513/03-H10K	100RK100P-4F1BB	M83513/04-A02N	100RN09S-4E1BB	M83513/04-A12A	100RL09S-4F5BB
M83513/03-H10N	100RN100P-4F1BB	M83513/04-A02P	104R09S-4E1BB	M83513/04-A12C	100RC09S-4F5BB
M83513/03-H10P	104R100P-4F1BB	M83513/04-A02T	100RT09S-4E1BB	M83513/04-A12K	100RK09S-4F5BB
M83513/03-H10T	100RT100P-4F1BB	M83513/04-A03A	100RL09S-4E6AB	M83513/04-A12N	100RN09S-4F5BB
M83513/03-H11A	100RL100P-4F5AB	M83513/04-A03C	100RC09S-4E6AB	M83513/04-A12P	104R09S-4F5BB
M83513/03-H11C	100RC100P-4F5AB	M83513/04-A03K	100RK09S-4E6AB	M83513/04-A12T	100RT09S-4F5BB
M83513/03-H11K	100RK100P-4F5AB	M83513/04-A03N	100RN09S-4E6AB	M83513/04-A13A	100RL09S-4E1CB
M83513/03-H11N	100RN100P-4F5AB	M83513/04-A03P	104R09S-4E6AB	M83513/04-A13C	100RC09S-4E1CB
M83513/03-H11P	104R100P-4F5AB	M83513/04-A03T	100RT09S-4E6AB	M83513/04-A13K	100RK09S-4E1CB
M83513/03-H11T	100RT100P-4F5AB	M83513/04-A04A	100RL09S-4E6BB	M83513/04-A13N	100RN09S-4E1CB
M83513/03-H12A	100RL100P-4F5BB	M83513/04-A04C	100RC09S-4E6BB	M83513/04-A13P	104R09S-4E1CB
M83513/03-H12C	100RC100P-4F5BB	M83513/04-A04K	100RK09S-4E6BB	M83513/04-A13T	100RT09S-4E1CB
M83513/03-H12K	100RK100P-4F5BB	M83513/04-A04N	100RN09S-4E6BB	M83513/04-A14A	100RL09S-4E6CB
M83513/03-H12N	100RN100P-4F5BB	M83513/04-A04P	104R09S-4E6BB	M83513/04-A14C	100RC09S-4E6CB
M83513/03-H12P	104R100P-4F5BB	M83513/04-A04T	100RT09S-4E6BB	M83513/04-A14K	100RK09S-4E6CB
M83513/03-H12T	100RT100P-4F5BB	M83513/04-A05C	100RC09S-5L4DB	M83513/04-A14N	100RN09S-4E6CB
M83513/03-H13A	100RL100P-4E1CB	M83513/04-A05K	100RK09S-5L4DB	M83513/04-A14P	104R09S-4E6CB
M83513/03-H13C	100RC100P-4E1CB	M83513/04-A05N	100RN09S-5L4DB	M83513/04-A14T	100RT09S-4E6CB
M83513/03-H13K	100RK100P-4E1CB	M83513/04-A05T	100RT09S-5L4DB	M83513/04-A15A	100RL09S-4F1CB
M83513/03-H13N	100RN100P-4E1CB	M83513/04-A06C	100RC09S-5L4EB	M83513/04-A15C	100RC09S-4F1CB
M83513/03-H13P	104R100P-4E1CB	M83513/04-A06K	100RK09S-5L4EB	M83513/04-A15K	100RK09S-4F1CB
M83513/03-H13T	100RT100P-4E1CB	M83513/04-A06N	100RN09S-5L4EB	M83513/04-A15N	100RN09S-4F1CB
M83513/03-H14A	100RL100P-4E6CB	M83513/04-A06T	100RT09S-5L4EB	M83513/04-A15P	104R09S-4F1CB
M83513/03-H14C	100RC100P-4E6CB	M83513/04-A07C	100RC09S-5L3DB	M83513/04-A15T	100RT09S-4F1CB

PART NUMBER CROSS REFERENCE

Mil-Spec	Amphenol	Mil-Spec	Amphenol	Mil-Spec	Amphenol
M83513/04-A16A	100RL09S-4F5CB	M83513/04-B09N	100RN15S-4F1AB	M83513/04-C01P	104R21S-4E1AB
M83513/04-A16C	100RC09S-4F5CB	M83513/04-B09P	104R15S-4F1AB	M83513/04-C01T	100RT21S-4E1AB
M83513/04-A16K	100RK09S-4F5CB	M83513/04-B09T	100RT15S-4F1AB	M83513/04-C02A	100RL21S-4E1BB
M83513/04-A16N	100RN09S-4F5CB	M83513/04-B10A	100RL15S-4F1BB	M83513/04-C02C	100RC21S-4E1BB
M83513/04-A16P	104R09S-4F5CB	M83513/04-B10C	100RC15S-4F1BB	M83513/04-C02K	100RK21S-4E1BB
M83513/04-A16T	100RT09S-4F5CB	M83513/04-B10K	100RK15S-4F1BB	M83513/04-C02N	100RN21S-4E1BB
M83513/04-B01A	100RL15S-4E1AB	M83513/04-B10N	100RN15S-4F1BB	M83513/04-C02P	104R21S-4E1BB
M83513/04-B01C	100RC15S-4E1AB	M83513/04-B10P	104R15S-4F1BB	M83513/04-C02T	100RT21S-4E1BB
M83513/04-B01K	100RK15S-4E1AB	M83513/04-B10T	100RT15S-4F1BB	M83513/04-C03A	100RL21S-4E6AB
M83513/04-B01N	100RN15S-4E1AB	M83513/04-B11A	100RL15S-4F5AB	M83513/04-C03C	100RC21S-4E6AB
M83513/04-B01P	104R15S-4E1AB	M83513/04-B11C	100RC15S-4F5AB	M83513/04-C03K	100RK21S-4E6AB
M83513/04-B01T	100RT15S-4E1AB	M83513/04-B11K	100RK15S-4F5AB	M83513/04-C03N	100RN21S-4E6AB
M83513/04-B02A	100RL15S-4E1BB	M83513/04-B11N	100RN15S-4F5AB	M83513/04-C03P	104R21S-4E6AB
M83513/04-B02C	100RC15S-4E1BB	M83513/04-B11P	104R15S-4F5AB	M83513/04-C03T	100RT21S-4E6AB
M83513/04-B02K	100RK15S-4E1BB	M83513/04-B11T	100RT15S-4F5AB	M83513/04-C04A	100RL21S-4E6BB
M83513/04-B02N	100RN15S-4E1BB	M83513/04-B12A	100RL15S-4F5BB	M83513/04-C04C	100RC21S-4E6BB
M83513/04-B02P	104R15S-4E1BB	M83513/04-B12C	100RC15S-4F5BB	M83513/04-C04K	100RK21S-4E6BB
M83513/04-B02T	100RT15S-4E1BB	M83513/04-B12K	100RK15S-4F5BB	M83513/04-C04N	100RN21S-4E6BB
M83513/04-B03A	100RL15S-4E6AB	M83513/04-B12N	100RN15S-4F5BB	M83513/04-C04P	104R21S-4E6BB
M83513/04-B03C	100RC15S-4E6AB	M83513/04-B12P	104R15S-4F5BB	M83513/04-C04T	100RT21S-4E6BB
M83513/04-B03K	100RK15S-4E6AB	M83513/04-B12T	100RT15S-4F5BB	M83513/04-C05C	100RC21S-5L4DB
M83513/04-B03N	100RN15S-4E6AB	M83513/04-B13A	100RL15S-4E1CB	M83513/04-C05K	100RK21S-5L4DB
M83513/04-B03P	104R15S-4E6AB	M83513/04-B13C	100RC15S-4E1CB	M83513/04-C05N	100RN21S-5L4DB
M83513/04-B03T	100RT15S-4E6AB	M83513/04-B13K	100RK15S-4E1CB	M83513/04-C05T	100RT21S-5L4DB
M83513/04-B04A	100RL15S-4E6BB	M83513/04-B13N	100RN15S-4E1CB	M83513/04-C06C	100RC21S-5L4EB
M83513/04-B04C	100RC15S-4E6BB	M83513/04-B13P	104R15S-4E1CB	M83513/04-C06K	100RK21S-5L4EB
M83513/04-B04K	100RK15S-4E6BB	M83513/04-B13T	100RT15S-4E1CB	M83513/04-C06N	100RN21S-5L4EB
M83513/04-B04N	100RN15S-4E6BB	M83513/04-B14A	100RL15S-4E6CB	M83513/04-C06T	100RT21S-5L4EB
M83513/04-B04P	104R15S-4E6BB	M83513/04-B14C	100RC15S-4E6CB	M83513/04-C07C	100RC21S-5L3DB
M83513/04-B04T	100RT15S-4E6BB	M83513/04-B14K	100RK15S-4E6CB	M83513/04-C07K	100RK21S-5L3DB
M83513/04-B05C	100RC15S-5L4DB	M83513/04-B14N	100RN15S-4E6CB	M83513/04-C07N	100RN21S-5L3DB
M83513/04-B05K	100RK15S-5L4DB	M83513/04-B14P	104R15S-4E6CB	M83513/04-C07T	100RT21S-5L3DB
M83513/04-B05N	100RN15S-5L4DB	M83513/04-B14T	100RT15S-4E6CB	M83513/04-C08C	100RC21S-5L3EB
M83513/04-B05T	100RT15S-5L4DB	M83513/04-B15A	100RL15S-4F1CB	M83513/04-C08K	100RK21S-5L3EB
M83513/04-B06C	100RC15S-5L4EB	M83513/04-B15C	100RC15S-4F1CB	M83513/04-C08N	100RN21S-5L3EB
M83513/04-B06K	100RK15S-5L4EB	M83513/04-B15K	100RK15S-4F1CB	M83513/04-C08T	100RT21S-5L3EB
M83513/04-B06N	100RN15S-5L4EB	M83513/04-B15N	100RN15S-4F1CB	M83513/04-C09A	100RL21S-4F1AB
M83513/04-B06T	100RT15S-5L4EB	M83513/04-B15P	104R15S-4F1CB	M83513/04-C09C	100RC21S-4F1AB
M83513/04-B07C	100RC15S-5L3DB	M83513/04-B15T	100RT15S-4F1CB	M83513/04-C09K	100RK21S-4F1AB
M83513/04-B07K	100RK15S-5L3DB	M83513/04-B16A	100RL15S-4F5CB	M83513/04-C09N	100RN21S-4F1AB
M83513/04-B07N	100RN15S-5L3DB	M83513/04-B16C	100RC15S-4F5CB	M83513/04-C09P	104R21S-4F1AB
M83513/04-B07T	100RT15S-5L3DB	M83513/04-B16K	100RK15S-4F5CB	M83513/04-C09T	100RT21S-4F1AB
M83513/04-B08C	100RC15S-5L3EB	M83513/04-B16N	100RN15S-4F5CB	M83513/04-C10A	100RL21S-4F1BB
M83513/04-B08K	100RK15S-5L3EB	M83513/04-B16P	104R15S-4F5CB	M83513/04-C10C	100RC21S-4F1BB
M83513/04-B08N	100RN15S-5L3EB	M83513/04-B16T	100RT15S-4F5CB	M83513/04-C10K	100RK21S-4F1BB
M83513/04-B08T	100RT15S-5L3EB	M83513/04-C01A	100RL21S-4E1AB	M83513/04-C10N	100RN21S-4F1BB
M83513/04-B09A	100RL15S-4F1AB	M83513/04-C01C	100RC21S-4E1AB	M83513/04-C10P	104R21S-4F1BB
M83513/04-B09C	100RC15S-4F1AB	M83513/04-C01K	100RK21S-4E1AB	M83513/04-C10T	100RT21S-4F1BB
M83513/04-B09K	100RK15S-4F1AB	M83513/04-C01N	100RN21S-4E1AB	M83513/04-C11A	100RL21S-4F5AB

PART NUMBER CROSS REFERENCE

MICRO-D

Mil-Spec	Amphenol	Mil-Spec	Amphenol	Mil-Spec	Amphenol
M83513/04-C11C	100RC21S-4F5AB	M83513/04-D03K	100RK25S-4E6AB	M83513/04-D12T	100RT25S-4F5BB
M83513/04-C11K	100RK21S-4F5AB	M83513/04-D03N	100RN25S-4E6AB	M83513/04-D13A	100RL25S-4E1CB
M83513/04-C11N	100RN21S-4F5AB	M83513/04-D03P	104R25S-4E6AB	M83513/04-D13C	100RC25S-4E1CB
M83513/04-C11P	104R21S-4F5AB	M83513/04-D03T	100RT25S-4E6AB	M83513/04-D13K	100RK25S-4E1CB
M83513/04-C11T	100RT21S-4F5AB	M83513/04-D04A	100RL25S-4E6BB	M83513/04-D13N	100RN25S-4E1CB
M83513/04-C12A	100RL21S-4F5BB	M83513/04-D04C	100RC25S-4E6BB	M83513/04-D13P	104R25S-4E1CB
M83513/04-C12C	100RC21S-4F5BB	M83513/04-D04K	100RK25S-4E6BB	M83513/04-D13T	100RT25S-4E1CB
M83513/04-C12K	100RK21S-4F5BB	M83513/04-D04N	100RN25S-4E6BB	M83513/04-D14A	100RL25S-4E6CB
M83513/04-C12N	100RN21S-4F5BB	M83513/04-D04P	104R25S-4E6BB	M83513/04-D14C	100RC25S-4E6CB
M83513/04-C12P	104R21S-4F5BB	M83513/04-D04T	100RT25S-4E6BB	M83513/04-D14K	100RK25S-4E6CB
M83513/04-C12T	100RT21S-4F5BB	M83513/04-D05C	100RC25S-5L4DB	M83513/04-D14N	100RN25S-4E6CB
M83513/04-C13A	100RL21S-4E1CB	M83513/04-D05K	100RK25S-5L4DB	M83513/04-D14P	104R25S-4E6CB
M83513/04-C13C	100RC21S-4E1CB	M83513/04-D05N	100RN25S-5L4DB	M83513/04-D14T	100RT25S-4E6CB
M83513/04-C13K	100RK21S-4E1CB	M83513/04-D05T	100RT25S-5L4DB	M83513/04-D15A	100RL25S-4F1CB
M83513/04-C13N	100RN21S-4E1CB	M83513/04-D06C	100RC25S-5L4EB	M83513/04-D15C	100RC25S-4F1CB
M83513/04-C13P	104R21S-4E1CB	M83513/04-D06K	100RK25S-5L4EB	M83513/04-D15K	100RK25S-4F1CB
M83513/04-C13T	100RT21S-4E1CB	M83513/04-D06N	100RN25S-5L4EB	M83513/04-D15N	100RN25S-4F1CB
M83513/04-C14A	100RL21S-4E6CB	M83513/04-D06T	100RT25S-5L4EB	M83513/04-D15P	104R25S-4F1CB
M83513/04-C14C	100RC21S-4E6CB	M83513/04-D07C	100RC25S-5L3DB	M83513/04-D15T	100RT25S-4F1CB
M83513/04-C14K	100RK21S-4E6CB	M83513/04-D07K	100RK25S-5L3DB	M83513/04-D16A	100RL25S-4F5CB
M83513/04-C14N	100RN21S-4E6CB	M83513/04-D07N	100RN25S-5L3DB	M83513/04-D16C	100RC25S-4F5CB
M83513/04-C14P	104R21S-4E6CB	M83513/04-D07T	100RT25S-5L3DB	M83513/04-D16K	100RK25S-4F5CB
M83513/04-C14T	100RT21S-4E6CB	M83513/04-D08C	100RC25S-5L3EB	M83513/04-D16N	100RN25S-4F5CB
M83513/04-C15A	100RL21S-4F1CB	M83513/04-D08K	100RK25S-5L3EB	M83513/04-D16P	104R25S-4F5CB
M83513/04-C15C	100RC21S-4F1CB	M83513/04-D08N	100RN25S-5L3EB	M83513/04-D16T	100RT25S-4F5CB
M83513/04-C15K	100RK21S-4F1CB	M83513/04-D08T	100RT25S-5L3EB	M83513/04-E01A	100RL31S-4E1AB
M83513/04-C15N	100RN21S-4F1CB	M83513/04-D09A	100RL25S-4F1AB	M83513/04-E01C	100RC31S-4E1AB
M83513/04-C15P	104R21S-4F1CB	M83513/04-D09C	100RC25S-4F1AB	M83513/04-E01K	100RK31S-4E1AB
M83513/04-C15T	100RT21S-4F1CB	M83513/04-D09K	100RK25S-4F1AB	M83513/04-E01N	100RN31S-4E1AB
M83513/04-C16A	100RL21S-4F5CB	M83513/04-D09N	100RN25S-4F1AB	M83513/04-E01P	104R31S-4E1AB
M83513/04-C16C	100RC21S-4F5CB	M83513/04-D09P	104R25S-4F1AB	M83513/04-E01T	100RT31S-4E1AB
M83513/04-C16K	100RK21S-4F5CB	M83513/04-D09T	100RT25S-4F1AB	M83513/04-E02A	100RL31S-4E1BB
M83513/04-C16N	100RN21S-4F5CB	M83513/04-D10A	100RL25S-4F1BB	M83513/04-E02C	100RC31S-4E1BB
M83513/04-C16P	104R21S-4F5CB	M83513/04-D10C	100RC25S-4F1BB	M83513/04-E02K	100RK31S-4E1BB
M83513/04-C16T	100RT21S-4F5CB	M83513/04-D10K	100RK25S-4F1BB	M83513/04-E02N	100RN31S-4E1BB
M83513/04-D01A	100RL25S-4E1AB	M83513/04-D10N	100RN25S-4F1BB	M83513/04-E02P	104R31S-4E1BB
M83513/04-D01C	100RC25S-4E1AB	M83513/04-D10P	104R25S-4F1BB	M83513/04-E02T	100RT31S-4E1BB
M83513/04-D01K	100RK25S-4E1AB	M83513/04-D10T	100RT25S-4F1BB	M83513/04-E03A	100RL31S-4E6AB
M83513/04-D01N	100RN25S-4E1AB	M83513/04-D11A	100RL25S-4F5AB	M83513/04-E03C	100RC31S-4E6AB
M83513/04-D01P	104R25S-4E1AB	M83513/04-D11C	100RC25S-4F5AB	M83513/04-E03K	100RK31S-4E6AB
M83513/04-D01T	100RT25S-4E1AB	M83513/04-D11K	100RK25S-4F5AB	M83513/04-E03N	100RN31S-4E6AB
M83513/04-D02A	100RL25S-4E1BB	M83513/04-D11N	100RN25S-4F5AB	M83513/04-E03P	104R31S-4E6AB
M83513/04-D02C	100RC25S-4E1BB	M83513/04-D11P	104R25S-4F5AB	M83513/04-E03T	100RT31S-4E6AB
M83513/04-D02K	100RK25S-4E1BB	M83513/04-D11T	100RT25S-4F5AB	M83513/04-E04A	100RL31S-4E6BB
M83513/04-D02N	100RN25S-4E1BB	M83513/04-D12A	100RL25S-4F5BB	M83513/04-E04C	100RC31S-4E6BB
M83513/04-D02P	104R25S-4E1BB	M83513/04-D12C	100RC25S-4F5BB	M83513/04-E04K	100RK31S-4E6BB
M83513/04-D02T	100RT25S-4E1BB	M83513/04-D12K	100RK25S-4F5BB	M83513/04-E04N	100RN31S-4E6BB
M83513/04-D03A	100RL25S-4E6AB	M83513/04-D12N	100RN25S-4F5BB	M83513/04-E04P	104R31S-4E6BB
M83513/04-D03C	100RC25S-4E6AB	M83513/04-D12P	104R25S-4F5BB	M83513/04-E04T	100RT31S-4E6BB

PART NUMBER CROSS REFERENCE

Mil-Spec	Amphenol	Mil-Spec	Amphenol	Mil-Spec	Amphenol
M83513/04-E05C	100RC31S-5L4DB	M83513/04-E14N	100RN31S-4E6CB	M83513/04-F07N	100RN37S-5L3DB
M83513/04-E05K	100RK31S-5L4DB	M83513/04-E14P	104R31S-4E6CB	M83513/04-F07T	100RT37S-5L3DB
M83513/04-E05N	100RN31S-5L4DB	M83513/04-E14T	100RT31S-4E6CB	M83513/04-F08C	100RC37S-5L3EB
M83513/04-E05T	100RT31S-5L4DB	M83513/04-E15A	100RL31S-4F1CB	M83513/04-F08K	100RK37S-5L3EB
M83513/04-E06C	100RC31S-5L4EB	M83513/04-E15C	100RC31S-4F1CB	M83513/04-F08N	100RN37S-5L3EB
M83513/04-E06K	100RK31S-5L4EB	M83513/04-E15K	100RK31S-4F1CB	M83513/04-F08T	100RT37S-5L3EB
M83513/04-E06N	100RN31S-5L4EB	M83513/04-E15N	100RN31S-4F1CB	M83513/04-F09A	100RL37S-4F1AB
M83513/04-E06T	100RT31S-5L4EB	M83513/04-E15P	104R31S-4F1CB	M83513/04-F09C	100RC37S-4F1AB
M83513/04-E07C	100RC31S-5L3DB	M83513/04-E15T	100RT31S-4F1CB	M83513/04-F09K	100RK37S-4F1AB
M83513/04-E07K	100RK31S-5L3DB	M83513/04-E16A	100RL31S-4F5CB	M83513/04-F09N	100RN37S-4F1AB
M83513/04-E07N	100RN31S-5L3DB	M83513/04-E16C	100RC31S-4F5CB	M83513/04-F09P	104R37S-4F1AB
M83513/04-E07T	100RT31S-5L3DB	M83513/04-E16K	100RK31S-4F5CB	M83513/04-F09T	100RT37S-4F1AB
M83513/04-E08C	100RC31S-5L3EB	M83513/04-E16N	100RN31S-4F5CB	M83513/04-F10A	100RL37S-4F1BB
M83513/04-E08K	100RK31S-5L3EB	M83513/04-E16P	104R31S-4F5CB	M83513/04-F10C	100RC37S-4F1BB
M83513/04-E08N	100RN31S-5L3EB	M83513/04-E16T	100RT31S-4F5CB	M83513/04-F10K	100RK37S-4F1BB
M83513/04-E08T	100RT31S-5L3EB	M83513/04-F01A	100RL37S-4E1AB	M83513/04-F10N	100RN37S-4F1BB
M83513/04-E09A	100RL31S-4F1AB	M83513/04-F01C	100RC37S-4E1AB	M83513/04-F10P	104R37S-4F1BB
M83513/04-E09C	100RC31S-4F1AB	M83513/04-F01K	100RK37S-4E1AB	M83513/04-F10T	100RT37S-4F1BB
M83513/04-E09K	100RK31S-4F1AB	M83513/04-F01N	100RN37S-4E1AB	M83513/04-F11A	100RL37S-4F5AB
M83513/04-E09N	100RN31S-4F1AB	M83513/04-F01P	104R37S-4E1AB	M83513/04-F11C	100RC37S-4F5AB
M83513/04-E09P	104R31S-4F1AB	M83513/04-F01T	100RT37S-4E1AB	M83513/04-F11K	100RK37S-4F5AB
M83513/04-E09T	100RT31S-4F1AB	M83513/04-F02A	100RL37S-4E1BB	M83513/04-F11N	100RN37S-4F5AB
M83513/04-E10A	100RL31S-4F1BB	M83513/04-F02C	100RC37S-4E1BB	M83513/04-F11P	104R37S-4F5AB
M83513/04-E10C	100RC31S-4F1BB	M83513/04-F02K	100RK37S-4E1BB	M83513/04-F11T	100RT37S-4F5AB
M83513/04-E10K	100RK31S-4F1BB	M83513/04-F02N	100RN37S-4E1BB	M83513/04-F12A	100RL37S-4F5BB
M83513/04-E10N	100RN31S-4F1BB	M83513/04-F02P	104R37S-4E1BB	M83513/04-F12C	100RC37S-4F5BB
M83513/04-E10P	104R31S-4F1BB	M83513/04-F02T	100RT37S-4E1BB	M83513/04-F12K	100RK37S-4F5BB
M83513/04-E10T	100RT31S-4F1BB	M83513/04-F03A	100RL37S-4E6AB	M83513/04-F12N	100RN37S-4F5BB
M83513/04-E11A	100RL31S-4F5AB	M83513/04-F03C	100RC37S-4E6AB	M83513/04-F12P	104R37S-4F5BB
M83513/04-E11C	100RC31S-4F5AB	M83513/04-F03K	100RK37S-4E6AB	M83513/04-F12T	100RT37S-4F5BB
M83513/04-E11K	100RK31S-4F5AB	M83513/04-F03N	100RN37S-4E6AB	M83513/04-F13A	100RL37S-4E1CB
M83513/04-E11N	100RN31S-4F5AB	M83513/04-F03P	104R37S-4E6AB	M83513/04-F13C	100RC37S-4E1CB
M83513/04-E11P	104R31S-4F5AB	M83513/04-F03T	100RT37S-4E6AB	M83513/04-F13K	100RK37S-4E1CB
M83513/04-E11T	100RT31S-4F5AB	M83513/04-F04A	100RL37S-4E6BB	M83513/04-F13N	100RN37S-4E1CB
M83513/04-E12A	100RL31S-4F5BB	M83513/04-F04C	100RC37S-4E6BB	M83513/04-F13P	104R37S-4E1CB
M83513/04-E12C	100RC31S-4F5BB	M83513/04-F04K	100RK37S-4E6BB	M83513/04-F13T	100RT37S-4E1CB
M83513/04-E12K	100RK31S-4F5BB	M83513/04-F04N	100RN37S-4E6BB	M83513/04-F14A	100RL37S-4E6CB
M83513/04-E12N	100RN31S-4F5BB	M83513/04-F04P	104R37S-4E6BB	M83513/04-F14C	100RC37S-4E6CB
M83513/04-E12P	104R31S-4F5BB	M83513/04-F04T	100RT37S-4E6BB	M83513/04-F14K	100RK37S-4E6CB
M83513/04-E12T	100RT31S-4F5BB	M83513/04-F05C	100RC37S-5L4DB	M83513/04-F14N	100RN37S-4E6CB
M83513/04-E13A	100RL31S-4E1CB	M83513/04-F05K	100RK37S-5L4DB	M83513/04-F14P	104R37S-4E6CB
M83513/04-E13C	100RC31S-4E1CB	M83513/04-F05N	100RN37S-5L4DB	M83513/04-F14T	100RT37S-4E6CB
M83513/04-E13K	100RK31S-4E1CB	M83513/04-F05T	100RT37S-5L4DB	M83513/04-F15A	100RL37S-4F1CB
M83513/04-E13N	100RN31S-4E1CB	M83513/04-F06C	100RC37S-5L4EB	M83513/04-F15C	100RC37S-4F1CB
M83513/04-E13P	104R31S-4E1CB	M83513/04-F06K	100RK37S-5L4EB	M83513/04-F15K	100RK37S-4F1CB
M83513/04-E13T	100RT31S-4E1CB	M83513/04-F06N	100RN37S-5L4EB	M83513/04-F15N	100RN37S-4F1CB
M83513/04-E14A	100RL31S-4E6CB	M83513/04-F06T	100RT37S-5L4EB	M83513/04-F15P	104R37S-4F1CB
M83513/04-E14C	100RC31S-4E6CB	M83513/04-F07C	100RC37S-5L3DB	M83513/04-F15T	100RT37S-4F1CB
M83513/04-E14K	100RK31S-4E6CB	M83513/04-F07K	100RK37S-5L3DB	M83513/04-F16A	100RL37S-4F5CB

PART NUMBER CROSS REFERENCE

Mil-Spec	Amphenol	Mil-Spec	Amphenol	Mil-Spec	Amphenol
M83513/04-F16C	100RC37S-4F5CB	M83513/04-G09P	104R51S-4F1AB	M83513/04-H01T	100RT100S-4E1AB
M83513/04-F16K	100RK37S-4F5CB	M83513/04-G09T	100RT51S-4F1AB	M83513/04-H02A	100RL100S-4E1BB
M83513/04-F16N	100RN37S-4F5CB	M83513/04-G10A	100RL51S-4F1BB	M83513/04-H02C	100RC100S-4E1BB
M83513/04-F16P	104R37S-4F5CB	M83513/04-G10C	100RC51S-4F1BB	M83513/04-H02K	100RK100S-4E1BB
M83513/04-F16T	100RT37S-4F5CB	M83513/04-G10K	100RK51S-4F1BB	M83513/04-H02N	100RN100S-4E1BB
M83513/04-G01A	100RL51S-4E1AB	M83513/04-G10N	100RN51S-4F1BB	M83513/04-H02P	104R100S-4E1BB
M83513/04-G01C	100RC51S-4E1AB	M83513/04-G10P	104R51S-4F1BB	M83513/04-H02T	100RT100S-4E1BB
M83513/04-G01K	100RK51S-4E1AB	M83513/04-G10T	100RT51S-4F1BB	M83513/04-H03A	100RL100S-4E6AB
M83513/04-G01N	100RN51S-4E1AB	M83513/04-G11A	100RL51S-4F5AB	M83513/04-H03C	100RC100S-4E6AB
M83513/04-G01P	104R51S-4E1AB	M83513/04-G11C	100RC51S-4F5AB	M83513/04-H03K	100RK100S-4E6AB
M83513/04-G01T	100RT51S-4E1AB	M83513/04-G11K	100RK51S-4F5AB	M83513/04-H03N	100RN100S-4E6AB
M83513/04-G02A	100RL51S-4E1BB	M83513/04-G11N	100RN51S-4F5AB	M83513/04-H03P	104R100S-4E6AB
M83513/04-G02C	100RC51S-4E1BB	M83513/04-G11P	104R51S-4F5AB	M83513/04-H03T	100RT100S-4E6AB
M83513/04-G02K	100RK51S-4E1BB	M83513/04-G11T	100RT51S-4F5AB	M83513/04-H04A	100RL100S-4E6BB
M83513/04-G02N	100RN51S-4E1BB	M83513/04-G12A	100RL51S-4F5BB	M83513/04-H04C	100RC100S-4E6BB
M83513/04-G02P	104R51S-4E1BB	M83513/04-G12C	100RC51S-4F5BB	M83513/04-H04K	100RK100S-4E6BB
M83513/04-G02T	100RT51S-4E1BB	M83513/04-G12K	100RK51S-4F5BB	M83513/04-H04N	100RN100S-4E6BB
M83513/04-G03A	100RL51S-4E6AB	M83513/04-G12N	100RN51S-4F5BB	M83513/04-H04P	104R100S-4E6BB
M83513/04-G03C	100RC51S-4E6AB	M83513/04-G12P	104R51S-4F5BB	M83513/04-H04T	100RT100S-4E6BB
M83513/04-G03K	100RK51S-4E6AB	M83513/04-G12T	100RT51S-4F5BB	M83513/04-H05C	100RC100S-5L4DB
M83513/04-G03N	100RN51S-4E6AB	M83513/04-G13A	100RL51S-4E1CB	M83513/04-H05K	100RK100S-5L4DB
M83513/04-G03P	104R51S-4E6AB	M83513/04-G13C	100RC51S-4E1CB	M83513/04-H05N	100RN100S-5L4DB
M83513/04-G03T	100RT51S-4E6AB	M83513/04-G13K	100RK51S-4E1CB	M83513/04-H05T	100RT100S-5L4DB
M83513/04-G04A	100RL51S-4E6BB	M83513/04-G13N	100RN51S-4E1CB	M83513/04-H06C	100RC100S-5L4EB
M83513/04-G04C	100RC51S-4E6BB	M83513/04-G13P	104R51S-4E1CB	M83513/04-H06K	100RK100S-5L4EB
M83513/04-G04K	100RK51S-4E6BB	M83513/04-G13T	100RT51S-4E1CB	M83513/04-H06N	100RN100S-5L4EB
M83513/04-G04N	100RN51S-4E6BB	M83513/04-G14A	100RL51S-4E6CB	M83513/04-H06T	100RT100S-5L4EB
M83513/04-G04P	104R51S-4E6BB	M83513/04-G14C	100RC51S-4E6CB	M83513/04-H07C	100RC100S-5L3DB
M83513/04-G04T	100RT51S-4E6BB	M83513/04-G14K	100RK51S-4E6CB	M83513/04-H07K	100RK100S-5L3DB
M83513/04-G05C	100RC51S-5L4DB	M83513/04-G14N	100RN51S-4E6CB	M83513/04-H07N	100RN100S-5L3DB
M83513/04-G05K	100RK51S-5L4DB	M83513/04-G14P	104R51S-4E6CB	M83513/04-H07T	100RT100S-5L3DB
M83513/04-G05N	100RN51S-5L4DB	M83513/04-G14T	100RT51S-4E6CB	M83513/04-H08C	100RC100S-5L3EB
M83513/04-G05T	100RT51S-5L4DB	M83513/04-G15A	100RL51S-4F1CB	M83513/04-H08K	100RK100S-5L3EB
M83513/04-G06C	100RC51S-5L4EB	M83513/04-G15C	100RC51S-4F1CB	M83513/04-H08N	100RN100S-5L3EB
M83513/04-G06K	100RK51S-5L4EB	M83513/04-G15K	100RK51S-4F1CB	M83513/04-H08T	100RT100S-5L3EB
M83513/04-G06N	100RN51S-5L4EB	M83513/04-G15N	100RN51S-4F1CB	M83513/04-H09A	100RL100S-4F1AB
M83513/04-G06T	100RT51S-5L4EB	M83513/04-G15P	104R51S-4F1CB	M83513/04-H09C	100RC100S-4F1AB
M83513/04-G07C	100RC51S-5L3DB	M83513/04-G15T	100RT51S-4F1CB	M83513/04-H09K	100RK100S-4F1AB
M83513/04-G07K	100RK51S-5L3DB	M83513/04-G16A	100RL51S-4F5CB	M83513/04-H09N	100RN100S-4F1AB
M83513/04-G07N	100RN51S-5L3DB	M83513/04-G16C	100RC51S-4F5CB	M83513/04-H09P	104R100S-4F1AB
M83513/04-G07T	100RT51S-5L3DB	M83513/04-G16K	100RK51S-4F5CB	M83513/04-H09T	100RT100S-4F1AB
M83513/04-G08C	100RC51S-5L3EB	M83513/04-G16N	100RN51S-4F5CB	M83513/04-H10A	100RL100S-4F1BB
M83513/04-G08K	100RK51S-5L3EB	M83513/04-G16P	104R51S-4F5CB	M83513/04-H10C	100RC100S-4F1BB
M83513/04-G08N	100RN51S-5L3EB	M83513/04-G16T	100RT51S-4F5CB	M83513/04-H10K	100RK100S-4F1BB
M83513/04-G08T	100RT51S-5L3EB	M83513/04-H01A	100RL100S-4E1AB	M83513/04-H10N	100RN100S-4F1BB
M83513/04-G09A	100RL51S-4F1AB	M83513/04-H01C	100RC100S-4E1AB	M83513/04-H10P	104R100S-4F1BB
M83513/04-G09C	100RC51S-4F1AB	M83513/04-H01K	100RK100S-4E1AB	M83513/04-H10T	100RT100S-4F1BB
M83513/04-G09K	100RK51S-4F1AB	M83513/04-H01N	100RN100S-4E1AB	M83513/04-H11A	100RL100S-4F5AB
M83513/04-G09N	100RN51S-4F1AB	M83513/04-H01P	104R100S-4E1AB	M83513/04-H11C	100RC100S-4F5AB

MICRO-D

PART NUMBER CROSS REFERENCE

Mil-Spec	Amphenol	Mil-Spec	Amphenol	Mil-Spec	Amphenol
M83513/04-H11K	100RK100S-4F5AB	M83513/06-F	101R37P-B	M83513/08-C07	101R21P-5L3DB
M83513/04-H11N	100RN100S-4F5AB	M83513/06-G	101R51P-B	M83513/08-C08	101R21P-5L3EB
M83513/04-H11P	104R100S-4F5AB	M83513/06-H	101R100P-B	M83513/08-C09	101R21P-4F1AB
M83513/04-H11T	100RT100S-4F5AB	M83513/07-A	101R09S-B	M83513/08-C10	101R21P-4F1BB
M83513/04-H12A	100RL100S-4F5BB	M83513/07-B	101R15S-B	M83513/08-C11	101R21P-4F5AB
M83513/04-H12C	100RC100S-4F5BB	M83513/07-C	101R21S-B	M83513/08-C12	101R21P-4F5BB
M83513/04-H12K	100RK100S-4F5BB	M83513/07-D	101R25S-B	M83513/08-C13	101R21P-4E1CB
M83513/04-H12N	100RN100S-4F5BB	M83513/07-E	101R31S-B	M83513/08-C14	101R21P-4E6CB
M83513/04-H12P	104R100S-4F5BB	M83513/07-F	101R37S-B	M83513/08-C15	101R21P-4F1CB
M83513/04-H12T	100RT100S-4F5BB	M83513/07-G	101R51S-B	M83513/08-C16	101R21P-4F5CB
M83513/04-H13A	100RL100S-4E1CB	M83513/07-H	101R100S-B	M83513/08-D01	101R25P-4E1AB
M83513/04-H13C	100RC100S-4E1CB	M83513/08-A01	101R09P-4E1AB	M83513/08-D02	101R25P-4E1BB
M83513/04-H13K	100RK100S-4E1CB	M83513/08-A02	101R09P-4E1BB	M83513/08-D03	101R25P-4E6AB
M83513/04-H13N	100RN100S-4E1CB	M83513/08-A03	101R09P-4E6AB	M83513/08-D04	101R25P-4E6BB
M83513/04-H13P	104R100S-4E1CB	M83513/08-A04	101R09P-4E6BB	M83513/08-D05	101R25P-5L4DB
M83513/04-H13T	100RT100S-4E1CB	M83513/08-A05	101R09P-5L4DB	M83513/08-D06	101R25P-5L4EB
M83513/04-H14A	100RL100S-4E6CB	M83513/08-A06	101R09P-5L4EB	M83513/08-D07	101R25P-5L3DB
M83513/04-H14C	100RC100S-4E6CB	M83513/08-A07	101R09P-5L3DB	M83513/08-D08	101R25P-5L3EB
M83513/04-H14K	100RK100S-4E6CB	M83513/08-A08	101R09P-5L3EB	M83513/08-D09	101R25P-4F1AB
M83513/04-H14N	100RN100S-4E6CB	M83513/08-A09	101R09P-4F1AB	M83513/08-D10	101R25P-4F1BB
M83513/04-H14P	104R100S-4E6CB	M83513/08-A10	101R09P-4F1BB	M83513/08-D11	101R25P-4F5AB
M83513/04-H14T	100RT100S-4E6CB	M83513/08-A11	101R09P-4F5AB	M83513/08-D12	101R25P-4F5BB
M83513/04-H15A	100RL100S-4F1CB	M83513/08-A12	101R09P-4F5BB	M83513/08-D13	101R25P-4E1CB
M83513/04-H15C	100RC100S-4F1CB	M83513/08-A13	101R09P-4E1CB	M83513/08-D14	101R25P-4E6CB
M83513/04-H15K	100RK100S-4F1CB	M83513/08-A14	101R09P-4E6CB	M83513/08-D15	101R25P-4F1CB
M83513/04-H15N	100RN100S-4F1CB	M83513/08-A15	101R09P-4F1CB	M83513/08-D16	101R25P-4F5CB
M83513/04-H15P	104R100S-4F1CB	M83513/08-A16	101R09P-4F5CB	M83513/08-E01	101R31P-4E1AB
M83513/04-H15T	100RT100S-4F1CB	M83513/08-B01	101R15P-4E1AB	M83513/08-E02	101R31P-4E1BB
M83513/04-H16A	100RL100S-4F5CB	M83513/08-B02	101R15P-4E1BB	M83513/08-E03	101R31P-4E6AB
M83513/04-H16C	100RC100S-4F5CB	M83513/08-B03	101R15P-4E6AB	M83513/08-E04	101R31P-4E6BB
M83513/04-H16K	100RK100S-4F5CB	M83513/08-B04	101R15P-4E6BB	M83513/08-E05	101R31P-5L4DB
M83513/04-H16N	100RN100S-4F5CB	M83513/08-B05	101R15P-5L4DB	M83513/08-E06	101R31P-5L4EB
M83513/04-H16P	104R100S-4F5CB	M83513/08-B06	101R15P-5L4EB	M83513/08-E07	101R31P-5L3DB
M83513/04-H16T	100RT100S-4F5CB	M83513/08-B07	101R15P-5L3DB	M83513/08-E08	101R31P-5L3EB
M83513/05-02	HM05-02	M83513/08-B08	101R15P-5L3EB	M83513/08-E09	101R31P-4F1AB
M83513/05-03	HM05-03	M83513/08-B09	101R15P-4F1AB	M83513/08-E10	101R31P-4F1BB
M83513/05-05	HM05-05	M83513/08-B10	101R15P-4F1BB	M83513/08-E11	101R31P-4F5AB
M83513/05-06	HM05-06	M83513/08-B11	101R15P-4F5AB	M83513/08-E12	101R31P-4F5BB
M83513/05-07	HM05-07	M83513/08-B12	101R15P-4F5BB	M83513/08-E13	101R31P-4E1CB
M83513/05-12	HM05-12	M83513/08-B13	101R15P-4E1CB	M83513/08-E14	101R31P-4E6CB
M83513/05-13	HM05-13	M83513/08-B14	101R15P-4E6CB	M83513/08-E15	101R31P-4F1CB
M83513/05-15	HM05-15	M83513/08-B15	101R15P-4F1CB	M83513/08-E16	101R31P-4F5CB
M83513/05-16	HM05-16	M83513/08-B16	101R15P-4F5CB	M83513/08-F01	101R37P-4E1AB
M83513/05-17	HM05-17	M83513/08-C01	101R21P-4E1AB	M83513/08-F02	101R37P-4E1BB
M83513/06-A	101R09P-B	M83513/08-C02	101R21P-4E1BB	M83513/08-F03	101R37P-4E6AB
M83513/06-B	101R15P-B	M83513/08-C03	101R21P-4E6AB	M83513/08-F04	101R37P-4E6BB
M83513/06-C	101R21P-B	M83513/08-C04	101R21P-4E6BB	M83513/08-F05	101R37P-5L4DB
M83513/06-D	101R25P-B	M83513/08-C05	101R21P-5L4DB	M83513/08-F06	101R37P-5L4EB
M83513/06-E	101R31P-B	M83513/08-C06	101R21P-5L4EB	M83513/08-F07	101R37P-5L3DB

PART NUMBER CROSS REFERENCE

MICRO-D

Mil-Spec	Amphenol	Mil-Spec	Amphenol	Mil-Spec	Amphenol
M83513/08-F08	101R37P-5L3EB	M83513/09-A13	101R09S-4E1CB	M83513/09-D14	101R25S-4E6CB
M83513/08-F09	101R37P-4F1AB	M83513/09-A14	101R09S-4E6CB	M83513/09-D15	101R25S-4F1CB
M83513/08-F10	101R37P-4F1BB	M83513/09-A15	101R09S-4F1CB	M83513/09-D16	101R25S-4F5CB
M83513/08-F11	101R37P-4F5AB	M83513/09-A16	101R09S-4F5CB	M83513/09-E01	101R31S-4E1AB
M83513/08-F12	101R37P-4F5BB	M83513/09-B01	101R15S-4E1AB	M83513/09-E02	101R31S-4E1BB
M83513/08-F13	101R37P-4E1CB	M83513/09-B02	101R15S-4E1BB	M83513/09-E03	101R31S-4E6AB
M83513/08-F14	101R37P-4E6CB	M83513/09-B03	101R15S-4E6AB	M83513/09-E04	101R31S-4E6BB
M83513/08-F15	101R37P-4F1CB	M83513/09-B04	101R15S-4E6BB	M83513/09-E05	101R31S-5L4DB
M83513/08-F16	101R37P-4F5CB	M83513/09-B05	101R15S-5L4DB	M83513/09-E06	101R31S-5L4EB
M83513/08-G01	101R51P-4E1AB	M83513/09-B06	101R15S-5L4EB	M83513/09-E07	101R31S-5L3DB
M83513/08-G02	101R51P-4E1BB	M83513/09-B07	101R15S-5L3DB	M83513/09-E08	101R31S-5L3EB
M83513/08-G03	101R51P-4E6AB	M83513/09-B08	101R15S-5L3EB	M83513/09-E09	101R31S-4F1AB
M83513/08-G04	101R51P-4E6BB	M83513/09-B09	101R15S-4F1AB	M83513/09-E10	101R31S-4F1BB
M83513/08-G05	101R51P-5L4DB	M83513/09-B10	101R15S-4F1BB	M83513/09-E11	101R31S-4F5AB
M83513/08-G06	101R51P-5L4EB	M83513/09-B11	101R15S-4F5AB	M83513/09-E12	101R31S-4F5BB
M83513/08-G07	101R51P-5L3DB	M83513/09-B12	101R15S-4F5BB	M83513/09-E13	101R31S-4E1CB
M83513/08-G08	101R51P-5L3EB	M83513/09-B13	101R15S-4E1CB	M83513/09-E14	101R31S-4E6CB
M83513/08-G09	101R51P-4F1AB	M83513/09-B14	101R15S-4E6CB	M83513/09-E15	101R31S-4F1CB
M83513/08-G10	101R51P-4F1BB	M83513/09-B15	101R15S-4F1CB	M83513/09-E16	101R31S-4F5CB
M83513/08-G11	101R51P-4F5AB	M83513/09-B16	101R15S-4F5CB	M83513/09-F01	101R37S-4E1AB
M83513/08-G12	101R51P-4F5BB	M83513/09-C01	101R21S-4E1AB	M83513/09-F02	101R37S-4E1BB
M83513/08-G13	101R51P-4E1CB	M83513/09-C02	101R21S-4E1BB	M83513/09-F03	101R37S-4E6AB
M83513/08-G14	101R51P-4E6CB	M83513/09-C03	101R21S-4E6AB	M83513/09-F04	101R37S-4E6BB
M83513/08-G15	101R51P-4F1CB	M83513/09-C04	101R21S-4E6BB	M83513/09-F05	101R37S-5L4DB
M83513/08-G16	101R51P-4F5CB	M83513/09-C05	101R21S-5L4DB	M83513/09-F06	101R37S-5L4EB
M83513/08-H01	101R100P-4E1AB	M83513/09-C06	101R21S-5L4EB	M83513/09-F07	101R37S-5L3DB
M83513/08-H02	101R100P-4E1BB	M83513/09-C07	101R21S-5L3DB	M83513/09-F08	101R37S-5L3EB
M83513/08-H03	101R100P-4E6AB	M83513/09-C08	101R21S-5L3EB	M83513/09-F09	101R37S-4F1AB
M83513/08-H04	101R100P-4E6BB	M83513/09-C09	101R21S-4F1AB	M83513/09-F10	101R37S-4F1BB
M83513/08-H09	101R100P-4F1AB	M83513/09-C10	101R21S-4F1BB	M83513/09-F11	101R37S-4F5AB
M83513/08-H10	101R100P-4F1BB	M83513/09-C11	101R21S-4F5AB	M83513/09-F12	101R37S-4F5BB
M83513/08-H11	101R100P-4F5AB	M83513/09-C12	101R21S-4F5BB	M83513/09-F13	101R37S-4E1CB
M83513/08-H12	101R100P-4F5BB	M83513/09-C13	101R21S-4E1CB	M83513/09-F14	101R37S-4E6CB
M83513/08-H13	101R100P-4E1CB	M83513/09-C14	101R21S-4E6CB	M83513/09-F15	101R37S-4F1CB
M83513/08-H14	101R100P-4E6CB	M83513/09-C15	101R21S-4F1CB	M83513/09-F16	101R37S-4F5CB
M83513/08-H15	101R100P-4F1CB	M83513/09-C16	101R21S-4F5CB	M83513/09-G01	101R51S-4E1AB
M83513/08-H16	101R100P-4F5CB	M83513/09-D01	101R25S-4E1AB	M83513/09-G02	101R51S-4E1BB
M83513/09-A01	101R09S-4E1AB	M83513/09-D02	101R25S-4E1BB	M83513/09-G03	101R51S-4E6AB
M83513/09-A02	101R09S-4E1BB	M83513/09-D03	101R25S-4E6AB	M83513/09-G04	101R51S-4E6BB
M83513/09-A03	101R09S-4E6AB	M83513/09-D04	101R25S-4E6BB	M83513/09-G05	101R51S-5L4DB
M83513/09-A04	101R09S-4E6BB	M83513/09-D05	101R25S-5L4DB	M83513/09-G06	101R51S-5L4EB
M83513/09-A05	101R09S-5L4DB	M83513/09-D06	101R25S-5L4EB	M83513/09-G07	101R51S-5L3DB
M83513/09-A06	101R09S-5L4EB	M83513/09-D07	101R25S-5L3DB	M83513/09-G08	101R51S-5L3EB
M83513/09-A07	101R09S-5L3DB	M83513/09-D08	101R25S-5L3EB	M83513/09-G09	101R51S-4F1AB
M83513/09-A08	101R09S-5L3EB	M83513/09-D09	101R25S-4F1AB	M83513/09-G10	101R51S-4F1BB
M83513/09-A09	101R09S-4F1AB	M83513/09-D10	101R25S-4F1BB	M83513/09-G11	101R51S-4F5AB
M83513/09-A10	101R09S-4F1BB	M83513/09-D11	101R25S-4F5AB	M83513/09-G12	101R51S-4F5BB
M83513/09-A11	101R09S-4F5AB	M83513/09-D12	101R25S-4F5BB	M83513/09-G13	101R51S-4E1CB
M83513/09-A12	101R09S-4F5BB	M83513/09-D13	101R25S-4E1CB	M83513/09-G14	101R51S-4E6CB

PART NUMBER CROSS REFERENCE

Mil-Spec	Amphenol	Mil-Spec	Amphenol	Mil-Spec	Amphenol
M83513/09-G15	101R51S-4F1CB	M83513/10-A02KW	100RK09P-CBRPT2	M83513/10-B01NN	100RN15P-CBR1
M83513/09-G16	101R51S-4F5CB	M83513/10-A02NN	100RN09P-CBR2	M83513/10-B01NP	100RN15P-CBRP1
M83513/09-H01	101R100S-4E1AB	M83513/10-A02NP	100RN09P-CBRP2	M83513/10-B01NT	100RN15P-CBRT1
M83513/09-H02	101R100S-4E1BB	M83513/10-A02NT	100RN09P-CBRT2	M83513/10-B01NW	100RN15P-CBRPT1
M83513/09-H03	101R100S-4E6AB	M83513/10-A02NW	100RN09P-CBRPT2	M83513/10-B01PN	104R15P-CBR1
M83513/09-H04	101R100S-4E6BB	M83513/10-A02PN	104R09P-CBR2	M83513/10-B01PP	104R15P-CBRP1
M83513/09-H09	101R100S-4F1AB	M83513/10-A02PP	104R09P-CBRP2	M83513/10-B01PT	104R15P-CBRT1
M83513/09-H10	101R100S-4F1BB	M83513/10-A02PT	104R09P-CBRT2	M83513/10-B01PW	104R15P-CBRPT1
M83513/09-H11	101R100S-4F5AB	M83513/10-A02PW	104R09P-CBRPT2	M83513/10-B01TP	100RT15P-CBRP1
M83513/09-H12	101R100S-4F5BB	M83513/10-A02TP	100RT09P-CBRP2	M83513/10-B01TN	100RT15P-CBR1
M83513/09-H13	101R100S-4E1CB	M83513/10-A02TN	100RT09P-CBR2	M83513/10-B01TT	100RT15P-CBRT1
M83513/09-H14	101R100S-4E6CB	M83513/10-A02TT	100RT09P-CBRT2	M83513/10-B01TW	100RT15P-CBRPT1
M83513/09-H15	101R100S-4F1CB	M83513/10-A02TW	100RT09P-CBRPT2	M83513/10-B02AP	100RL15P-CBRP2
M83513/09-H16	101R100S-4F5CB	M83513/10-A03AP	100RL09P-CBRP3	M83513/10-B02AN	100RL15P-CBR2
M83513/10-A01AP	100RL09P-CBRP1	M83513/10-A03AN	100RL09P-CBR3	M83513/10-B02AT	100RL15P-CBRT2
M83513/10-A01AN	100RL09P-CBR1	M83513/10-A03AT	100RL09P-CBRT3	M83513/10-B02AW	100RL15P-CBRPT2
M83513/10-A01AT	100RL09P-CBRT1	M83513/10-A03AW	100RL09P-CBRPT3	M83513/10-B02CN	100RC15P-CBR2
M83513/10-A01AW	100RL09P-CBRPT1	M83513/10-A03CN	100RC09P-CBR3	M83513/10-B02CP	100RC15P-CBRP2
M83513/10-A01CN	100RC09P-CBR1	M83513/10-A03CP	100RC09P-CBRP3	M83513/10-B02CT	100RC15P-CBRT2
M83513/10-A01CP	100RC09P-CBRP1	M83513/10-A03CT	100RC09P-CBRT3	M83513/10-B02CW	100RC15P-CBRPT2
M83513/10-A01CT	100RC09P-CBRT1	M83513/10-A03CW	100RC09P-CBRPT3	M83513/10-B02KN	100RK15P-CBR2
M83513/10-A01CW	100RC09P-CBRPT1	M83513/10-A03KN	100RK09P-CBR3	M83513/10-B02KP	100RK15P-CBRP2
M83513/10-A01KN	100RK09P-CBR1	M83513/10-A03KP	100RK09P-CBRP3	M83513/10-B02KT	100RK15P-CBRT2
M83513/10-A01KP	100RK09P-CBRP1	M83513/10-A03KT	100RK09P-CBRT3	M83513/10-B02KW	100RK15P-CBRPT2
M83513/10-A01KT	100RK09P-CBRT1	M83513/10-A03KW	100RK09P-CBRPT3	M83513/10-B02NN	100RN15P-CBR2
M83513/10-A01KW	100RK09P-CBRPT1	M83513/10-A03NN	100RN09P-CBR3	M83513/10-B02NP	100RN15P-CBRP2
M83513/10-A01NN	100RN09P-CBR1	M83513/10-A03NP	100RN09P-CBRP3	M83513/10-B02NT	100RN15P-CBRT2
M83513/10-A01NP	100RN09P-CBRP1	M83513/10-A03NT	100RN09P-CBRT3	M83513/10-B02NW	100RN15P-CBRPT2
M83513/10-A01NT	100RN09P-CBRT1	M83513/10-A03NW	100RN09P-CBRPT3	M83513/10-B02PN	104R15P-CBR2
M83513/10-A01NW	100RN09P-CBRPT1	M83513/10-A03PN	104R09P-CBR3	M83513/10-B02PP	104R15P-CBRP2
M83513/10-A01PN	104R09P-CBR1	M83513/10-A03PP	104R09P-CBRP3	M83513/10-B02PT	104R15P-CBRT2
M83513/10-A01PP	104R09P-CBRP1	M83513/10-A03PT	104R09P-CBRT3	M83513/10-B02PW	104R15P-CBRPT2
M83513/10-A01PT	104R09P-CBRT1	M83513/10-A03PW	104R09P-CBRPT3	M83513/10-B02TP	100RT15P-CBRP2
M83513/10-A01PW	104R09P-CBRPT1	M83513/10-A03TP	100RT09P-CBRP3	M83513/10-B02TN	100RT15P-CBR2
M83513/10-A01TP	100RT09P-CBRP1	M83513/10-A03TN	100RT09P-CBR3	M83513/10-B02TT	100RT15P-CBRT2
M83513/10-A01TN	100RT09P-CBR1	M83513/10-A03TT	100RT09P-CBRT3	M83513/10-B02TW	100RT15P-CBRPT2
M83513/10-A01TT	100RT09P-CBRT1	M83513/10-A03TW	100RT09P-CBRPT3	M83513/10-B03AP	100RL15P-CBRP3
M83513/10-A01TW	100RT09P-CBRPT1	M83513/10-B01AP	100RL15P-CBRP1	M83513/10-B03AN	100RL15P-CBR3
M83513/10-A02AP	100RL09P-CBRP2	M83513/10-B01AN	100RL15P-CBR1	M83513/10-B03AT	100RL15P-CBRT3
M83513/10-A02AN	100RL09P-CBR2	M83513/10-B01AT	100RL15P-CBRT1	M83513/10-B03AW	100RL15P-CBRPT3
M83513/10-A02AT	100RL09P-CBRT2	M83513/10-B01AW	100RL15P-CBRPT1	M83513/10-B03CN	100RC15P-CBR3
M83513/10-A02AW	100RL09P-CBRPT2	M83513/10-B01CN	100RC15P-CBR1	M83513/10-B03CP	100RC15P-CBRP3
M83513/10-A02CN	100RC09P-CBR2	M83513/10-B01CP	100RC15P-CBRP1	M83513/10-B03CT	100RC15P-CBRT3
M83513/10-A02CP	100RC09P-CBRP2	M83513/10-B01CT	100RC15P-CBRT1	M83513/10-B03CW	100RC15P-CBRPT3
M83513/10-A02CT	100RC09P-CBRT2	M83513/10-B01CW	100RC15P-CBRPT1	M83513/10-B03KN	100RK15P-CBR3
M83513/10-A02CW	100RC09P-CBRPT2	M83513/10-B01KN	100RK15P-CBR1	M83513/10-B03KP	100RK15P-CBRP3
M83513/10-A02KN	100RK09P-CBR2	M83513/10-B01KP	100RK15P-CBRP1	M83513/10-B03KT	100RK15P-CBRT3
M83513/10-A02KP	100RK09P-CBRP2	M83513/10-B01KT	100RK15P-CBRT1	M83513/10-B03KW	100RK15P-CBRPT3
M83513/10-A02KT	100RK09P-CBRT2	M83513/10-B01KW	100RK15P-CBRPT1	M83513/10-B03NN	100RN15P-CBR3

PART NUMBER CROSS REFERENCE

Mil-Spec	Amphenol	Mil-Spec	Amphenol	Mil-Spec	Amphenol
M83513/10-B03NP	100RN15P-CBRP3	M83513/10-C02NT	100RN21P-CBRT2	M83513/10-D01NW	100RN25P-CBRPT1
M83513/10-B03NT	100RN15P-CBRT3	M83513/10-C02NW	100RN21P-CBRPT2	M83513/10-D01PN	104R25P-CBR1
M83513/10-B03NW	100RN15P-CBRPT3	M83513/10-C02PN	104R21P-CBR2	M83513/10-D01PP	104R25P-CBRP1
M83513/10-B03PN	104R15P-CBR3	M83513/10-C02PP	104R21P-CBRP2	M83513/10-D01PT	104R25P-CBRT1
M83513/10-B03PP	104R15P-CBRP3	M83513/10-C02PT	104R21P-CBRT2	M83513/10-D01PW	104R25P-CBRPT1
M83513/10-B03PT	104R15P-CBRT3	M83513/10-C02PW	104R21P-CBRPT2	M83513/10-D01TP	100RT25P-CBRP1
M83513/10-B03PW	104R15P-CBRPT3	M83513/10-C02TP	100RT21P-CBRP2	M83513/10-D01TN	100RT25P-CBR1
M83513/10-B03TP	100RT15P-CBRP3	M83513/10-C02TN	100RT21P-CBR2	M83513/10-D01TT	100RT25P-CBRT1
M83513/10-B03TN	100RT15P-CBR3	M83513/10-C02TT	100RT21P-CBRT2	M83513/10-D01TW	100RT25P-CBRPT1
M83513/10-B03TT	100RT15P-CBRT3	M83513/10-C02TW	100RT21P-CBRPT2	M83513/10-D02AP	100RL25P-CBRP2
M83513/10-B03TW	100RT15P-CBRPT3	M83513/10-C03AP	100RL21P-CBRP3	M83513/10-D02AN	100RL25P-CBR2
M83513/10-C01AP	100RL21P-CBRP1	M83513/10-C03AN	100RL21P-CBR3	M83513/10-D02AT	100RL25P-CBRT2
M83513/10-C01AN	100RL21P-CBR1	M83513/10-C03AT	100RL21P-CBRT3	M83513/10-D02AW	100RL25P-CBRPT2
M83513/10-C01AT	100RL21P-CBRT1	M83513/10-C03AW	100RL21P-CBRPT3	M83513/10-D02CN	100RC25P-CBR2
M83513/10-C01AW	100RL21P-CBRPT1	M83513/10-C03CN	100RC21P-CBR3	M83513/10-D02CP	100RC25P-CBRP2
M83513/10-C01CN	100RC21P-CBR1	M83513/10-C03CP	100RC21P-CBRP3	M83513/10-D02CT	100RC25P-CBRT2
M83513/10-C01CP	100RC21P-CBRP1	M83513/10-C03CT	100RC21P-CBRT3	M83513/10-D02CW	100RC25P-CBRPT2
M83513/10-C01CT	100RC21P-CBRT1	M83513/10-C03CW	100RC21P-CBRPT3	M83513/10-D02KN	100RK25P-CBR2
M83513/10-C01CW	100RC21P-CBRPT1	M83513/10-C03KN	100RK21P-CBR3	M83513/10-D02KP	100RK25P-CBRP2
M83513/10-C01KN	100RK21P-CBR1	M83513/10-C03KP	100RK21P-CBRP3	M83513/10-D02KT	100RK25P-CBRT2
M83513/10-C01KP	100RK21P-CBRP1	M83513/10-C03KT	100RK21P-CBRT3	M83513/10-D02KW	100RK25P-CBRPT2
M83513/10-C01KT	100RK21P-CBRT1	M83513/10-C03KW	100RK21P-CBRPT3	M83513/10-D02NN	100RN25P-CBR2
M83513/10-C01KW	100RK21P-CBRPT1	M83513/10-C03NN	100RN21P-CBR3	M83513/10-D02NP	100RN25P-CBRP2
M83513/10-C01NN	100RN21P-CBR1	M83513/10-C03NP	100RN21P-CBRP3	M83513/10-D02NT	100RN25P-CBRT2
M83513/10-C01NP	100RN21P-CBRP1	M83513/10-C03NT	100RN21P-CBRT3	M83513/10-D02NW	100RN25P-CBRPT2
M83513/10-C01NT	100RN21P-CBRT1	M83513/10-C03NW	100RN21P-CBRPT3	M83513/10-D02PN	104R25P-CBR2
M83513/10-C01NW	100RN21P-CBRPT1	M83513/10-C03PN	104R21P-CBR3	M83513/10-D02PP	104R25P-CBRP2
M83513/10-C01PN	104R21P-CBR1	M83513/10-C03PP	104R21P-CBRP3	M83513/10-D02PT	104R25P-CBRT2
M83513/10-C01PP	104R21P-CBRP1	M83513/10-C03PT	104R21P-CBRT3	M83513/10-D02PW	104R25P-CBRPT2
M83513/10-C01PT	104R21P-CBRT1	M83513/10-C03PW	104R21P-CBRPT3	M83513/10-D02TP	100RT25P-CBRP2
M83513/10-C01PW	104R21P-CBRPT1	M83513/10-C03TP	100RT21P-CBRP3	M83513/10-D02TN	100RT25P-CBR2
M83513/10-C01TP	100RT21P-CBRP1	M83513/10-C03TN	100RT21P-CBR3	M83513/10-D02TT	100RT25P-CBRT2
M83513/10-C01TN	100RT21P-CBR1	M83513/10-C03TT	100RT21P-CBRT3	M83513/10-D02TW	100RT25P-CBRPT2
M83513/10-C01TT	100RT21P-CBRT1	M83513/10-C03TW	100RT21P-CBRPT3	M83513/10-D03AP	100RL25P-CBRP3
M83513/10-C01TW	100RT21P-CBRPT1	M83513/10-D01AP	100RL25P-CBRP1	M83513/10-D03AN	100RL25P-CBR3
M83513/10-C02AP	100RL21P-CBRP2	M83513/10-D01AN	100RL25P-CBR1	M83513/10-D03AT	100RL25P-CBRT3
M83513/10-C02AN	100RL21P-CBR2	M83513/10-D01AT	100RL25P-CBRT1	M83513/10-D03AW	100RL25P-CBRPT3
M83513/10-C02AT	100RL21P-CBRT2	M83513/10-D01AW	100RL25P-CBRPT1	M83513/10-D03CN	100RC25P-CBR3
M83513/10-C02AW	100RL21P-CBRPT2	M83513/10-D01CN	100RC25P-CBR1	M83513/10-D03CP	100RC25P-CBRP3
M83513/10-C02CN	100RC21P-CBR2	M83513/10-D01CP	100RC25P-CBRP1	M83513/10-D03CT	100RC25P-CBRT3
M83513/10-C02CP	100RC21P-CBRP2	M83513/10-D01CT	100RC25P-CBRT1	M83513/10-D03CW	100RC25P-CBRPT3
M83513/10-C02CT	100RC21P-CBRT2	M83513/10-D01CW	100RC25P-CBRPT1	M83513/10-D03KN	100RK25P-CBR3
M83513/10-C02CW	100RC21P-CBRPT2	M83513/10-D01KN	100RK25P-CBR1	M83513/10-D03KP	100RK25P-CBRP3
M83513/10-C02KN	100RK21P-CBR2	M83513/10-D01KP	100RK25P-CBRP1	M83513/10-D03KT	100RK25P-CBRT3
M83513/10-C02KP	100RK21P-CBRP2	M83513/10-D01KT	100RK25P-CBRT1	M83513/10-D03KW	100RK25P-CBRPT3
M83513/10-C02KT	100RK21P-CBRT2	M83513/10-D01KW	100RK25P-CBRPT1	M83513/10-D03NN	100RN25P-CBR3
M83513/10-C02KW	100RK21P-CBRPT2	M83513/10-D01NN	100RN25P-CBR1	M83513/10-D03NP	100RN25P-CBRP3
M83513/10-C02NN	100RN21P-CBR2	M83513/10-D01NP	100RN25P-CBRP1	M83513/10-D03NT	100RN25P-CBRT3
M83513/10-C02NP	100RN21P-CBRP2	M83513/10-D01NT	100RN25P-CBRT1	M83513/10-D03NW	100RN25P-CBRPT3

MICRO-D

PART NUMBER CROSS REFERENCE

Mil-Spec	Amphenol	Mil-Spec	Amphenol	Mil-Spec	Amphenol
M83513/10-D03PN	104R25P-CBR3	M83513/10-E02PP	104R31P-CBRP2	M83513/10-F01PT	104R37P-CBRT1
M83513/10-D03PP	104R25P-CBRP3	M83513/10-E02PT	104R31P-CBRT2	M83513/10-F01PW	104R37P-CBRPT1
M83513/10-D03PT	104R25P-CBRT3	M83513/10-E02PW	104R31P-CBRPT2	M83513/10-F01TP	100RT37P-CBRP1
M83513/10-D03PW	104R25P-CBRPT3	M83513/10-E02TP	100RT31P-CBRP2	M83513/10-F01TN	100RT37P-CBR1
M83513/10-D03TP	100RT25P-CBRP3	M83513/10-E02TN	100RT31P-CBR2	M83513/10-F01TT	100RT37P-CBRT1
M83513/10-D03TN	100RT25P-CBR3	M83513/10-E02TT	100RT31P-CBRT2	M83513/10-F01TW	100RT37P-CBRPT1
M83513/10-D03TT	100RT25P-CBRT3	M83513/10-E02TW	100RT31P-CBRPT2	M83513/10-F02AP	100RL37P-CBRP2
M83513/10-D03TW	100RT25P-CBRPT3	M83513/10-E03AP	100RL31P-CBRP3	M83513/10-F02AN	100RL37P-CBR2
M83513/10-E01AP	100RL31P-CBRP1	M83513/10-E03AN	100RL31P-CBR3	M83513/10-F02AT	100RL37P-CBRT2
M83513/10-E01AN	100RL31P-CBR1	M83513/10-E03AT	100RL31P-CBRT3	M83513/10-F02AW	100RL37P-CBRPT2
M83513/10-E01AT	100RL31P-CBRT1	M83513/10-E03AW	100RL31P-CBRPT3	M83513/10-F02CN	100RC37P-CBR2
M83513/10-E01AW	100RL31P-CBRPT1	M83513/10-E03CN	100RC31P-CBR3	M83513/10-F02CP	100RC37P-CBRP2
M83513/10-E01CN	100RC31P-CBR1	M83513/10-E03CP	100RC31P-CBRP3	M83513/10-F02CT	100RC37P-CBRT2
M83513/10-E01CP	100RC31P-CBRP1	M83513/10-E03CT	100RC31P-CBRT3	M83513/10-F02CW	100RC37P-CBRPT2
M83513/10-E01CT	100RC31P-CBRT1	M83513/10-E03CW	100RC31P-CBRPT3	M83513/10-F02KN	100RK37P-CBR2
M83513/10-E01CW	100RC31P-CBRPT1	M83513/10-E03KN	100RK31P-CBR3	M83513/10-F02KP	100RK37P-CBRP2
M83513/10-E01KN	100RK31P-CBR1	M83513/10-E03KP	100RK31P-CBRP3	M83513/10-F02KT	100RK37P-CBRT2
M83513/10-E01KP	100RK31P-CBRP1	M83513/10-E03KT	100RK31P-CBRT3	M83513/10-F02KW	100RK37P-CBRPT2
M83513/10-E01KT	100RK31P-CBRT1	M83513/10-E03KW	100RK31P-CBRPT3	M83513/10-F02NN	100RN37P-CBR2
M83513/10-E01KW	100RK31P-CBRPT1	M83513/10-E03NN	100RN31P-CBR3	M83513/10-F02NP	100RN37P-CBRP2
M83513/10-E01NN	100RN31P-CBR1	M83513/10-E03NP	100RN31P-CBRP3	M83513/10-F02NT	100RN37P-CBRT2
M83513/10-E01NP	100RN31P-CBRP1	M83513/10-E03NT	100RN31P-CBRT3	M83513/10-F02NW	100RN37P-CBRPT2
M83513/10-E01NT	100RN31P-CBRT1	M83513/10-E03NW	100RN31P-CBRPT3	M83513/10-F02PN	104R37P-CBR2
M83513/10-E01NW	100RN31P-CBRPT1	M83513/10-E03PN	104R31P-CBR3	M83513/10-F02PP	104R37P-CBRP2
M83513/10-E01PN	104R31P-CBR1	M83513/10-E03PP	104R31P-CBRP3	M83513/10-F02PT	104R37P-CBRT2
M83513/10-E01PP	104R31P-CBRP1	M83513/10-E03PT	104R31P-CBRT3	M83513/10-F02PW	104R37P-CBRPT2
M83513/10-E01PT	104R31P-CBRT1	M83513/10-E03PW	104R31P-CBRPT3	M83513/10-F02TP	100RT37P-CBRP2
M83513/10-E01PW	104R31P-CBRPT1	M83513/10-E03TP	100RT31P-CBRP3	M83513/10-F02TN	100RT37P-CBR2
M83513/10-E01TP	100RT31P-CBRP1	M83513/10-E03TN	100RT31P-CBR3	M83513/10-F02TT	100RT37P-CBRT2
M83513/10-E01TN	100RT31P-CBR1	M83513/10-E03TT	100RT31P-CBRT3	M83513/10-F02TW	100RT37P-CBRPT2
M83513/10-E01TT	100RT31P-CBRT1	M83513/10-E03TW	100RT31P-CBRPT3	M83513/10-F03AP	100RL37P-CBRP3
M83513/10-E01TW	100RT31P-CBRPT1	M83513/10-F01AP	100RL37P-CBRP1	M83513/10-F03AN	100RL37P-CBR3
M83513/10-E02AP	100RL31P-CBRP2	M83513/10-F01AN	100RL37P-CBR1	M83513/10-F03AT	100RL37P-CBRT3
M83513/10-E02AN	100RL31P-CBR2	M83513/10-F01AT	100RL37P-CBRT1	M83513/10-F03AW	100RL37P-CBRPT3
M83513/10-E02AT	100RL31P-CBRT2	M83513/10-F01AW	100RL37P-CBRPT1	M83513/10-F03CN	100RC37P-CBR3
M83513/10-E02AW	100RL31P-CBRPT2	M83513/10-F01CN	100RC37P-CBR1	M83513/10-F03CP	100RC37P-CBRP3
M83513/10-E02CN	100RC31P-CBR2	M83513/10-F01CP	100RC37P-CBRP1	M83513/10-F03CT	100RC37P-CBRT3
M83513/10-E02CP	100RC31P-CBRP2	M83513/10-F01CT	100RC37P-CBRT1	M83513/10-F03CW	100RC37P-CBRPT3
M83513/10-E02CT	100RC31P-CBRT2	M83513/10-F01CW	100RC37P-CBRPT1	M83513/10-F03KN	100RK37P-CBR3
M83513/10-E02CW	100RC31P-CBRPT2	M83513/10-F01KN	100RK37P-CBR1	M83513/10-F03KP	100RK37P-CBRP3
M83513/10-E02KN	100RK31P-CBR2	M83513/10-F01KP	100RK37P-CBRP1	M83513/10-F03KT	100RK37P-CBRT3
M83513/10-E02KP	100RK31P-CBRP2	M83513/10-F01KT	100RK37P-CBRT1	M83513/10-F03KW	100RK37P-CBRPT3
M83513/10-E02KT	100RK31P-CBRT2	M83513/10-F01KW	100RK37P-CBRPT1	M83513/10-F03NN	100RN37P-CBR3
M83513/10-E02KW	100RK31P-CBRPT2	M83513/10-F01NN	100RN37P-CBR1	M83513/10-F03NP	100RN37P-CBRP3
M83513/10-E02NN	100RN31P-CBR2	M83513/10-F01NP	100RN37P-CBRP1	M83513/10-F03NT	100RN37P-CBRT3
M83513/10-E02NP	100RN31P-CBRP2	M83513/10-F01NT	100RN37P-CBRT1	M83513/10-F03NW	100RN37P-CBRPT3
M83513/10-E02NT	100RN31P-CBRT2	M83513/10-F01NW	100RN37P-CBRPT1	M83513/10-F03PN	104R37P-CBR3
M83513/10-E02NW	100RN31P-CBRPT2	M83513/10-F01PN	104R37P-CBR1	M83513/10-F03PP	104R37P-CBRP3
M83513/10-E02PN	104R31P-CBR2	M83513/10-F01PP	104R37P-CBRP1	M83513/10-F03PT	104R37P-CBRT3

PART NUMBER CROSS REFERENCE

Mil-Spec	Amphenol	Mil-Spec	Amphenol	Mil-Spec	Amphenol
M83513/10-F03PW	104R37P-CBRPT3	M83513/11-G02TP	100RT51P-CBRP2	M83513/12-H01TN	100RT100P-CBR1
M83513/10-F03TP	100RT37P-CBRP3	M83513/11-G02TN	100RT51P-CBR2	M83513/12-H01TU	100RT100P-CBRU1
M83513/10-F03TN	100RT37P-CBR3	M83513/11-G02TT	100RT51P-CBR2	M83513/12-H01TY	100RT100P-CBRPU1
M83513/10-F03TT	100RT37P-CBRT3	M83513/11-G02TW	100RT51P-CBRPT2	M83513/12-H02AP	100RL100P-CBRP2
M83513/10-F03TW	100RT37P-CBRPT3	M83513/11-G03AP	100RL51P-CBRP3	M83513/12-H02AN	100RL100P-CBR2
M83513/11-G01AP	100RL51P-CBRP1	M83513/11-G03AN	100RL51P-CBR3	M83513/12-H02AU	100RL100P-CBRU2
M83513/11-G01AN	100RL51P-CBR1	M83513/11-G03AT	100RL51P-CBR3	M83513/12-H02AY	100RL100P-CBRPU2
M83513/11-G01AT	100RL51P-CBRT1	M83513/11-G03AW	100RL51P-CBRPT3	M83513/12-H02CN	100RC100P-CBR2
M83513/11-G01AW	100RL51P-CBRPT1	M83513/11-G03CN	100RC51P-CBR3	M83513/12-H02CP	100RC100P-CBRP2
M83513/11-G01CN	100RC51P-CBR1	M83513/11-G03CP	100RC51P-CBRP3	M83513/12-H02CU	100RC100P-CBRU2
M83513/11-G01CP	100RC51P-CBRP1	M83513/11-G03CT	100RC51P-CBR3	M83513/12-H02CY	100RC100P-CBRPU2
M83513/11-G01CT	100RC51P-CBRT1	M83513/11-G03CW	100RC51P-CBRPT3	M83513/12-H02KN	100RK100P-CBR2
M83513/11-G01CW	100RC51P-CBRPT1	M83513/11-G03KN	100RK51P-CBR3	M83513/12-H02KP	100RK100P-CBRP2
M83513/11-G01KN	100RK51P-CBR1	M83513/11-G03KP	100RK51P-CBRP3	M83513/12-H02KU	100RK100P-CBRU2
M83513/11-G01KP	100RK51P-CBRP1	M83513/11-G03KT	100RK51P-CBR3	M83513/12-H02KY	100RK100P-CBRPU2
M83513/11-G01KT	100RK51P-CBRT1	M83513/11-G03KW	100RK51P-CBRPT3	M83513/12-H02NN	100RN100P-CBR2
M83513/11-G01KW	100RK51P-CBRPT1	M83513/11-G03NN	100RN51P-CBR3	M83513/12-H02NP	100RN100P-CBRP2
M83513/11-G01NN	100RN51P-CBR1	M83513/11-G03NP	100RN51P-CBRP3	M83513/12-H02NU	100RN100P-CBRU2
M83513/11-G01NP	100RN51P-CBRP1	M83513/11-G03NT	100RN51P-CBRT3	M83513/12-H02NY	100RN100P-CBRPU2
M83513/11-G01NT	100RN51P-CBRT1	M83513/11-G03NW	100RN51P-CBRPT3	M83513/12-H02PN	104R100P-CBR2
M83513/11-G01NW	100RN51P-CBRPT1	M83513/11-G03PN	104R51P-CBR3	M83513/12-H02PP	104R100P-CBRP2
M83513/11-G01PN	104R51P-CBR1	M83513/11-G03PP	104R51P-CBRP3	M83513/12-H02PU	104R100P-CBRU2
M83513/11-G01PP	104R51P-CBRP1	M83513/11-G03PT	104R51P-CBRT3	M83513/12-H02PY	104R100P-CBRPU2
M83513/11-G01PT	104R51P-CBRT1	M83513/11-G03PW	104R51P-CBRPT3	M83513/12-H02TP	100RT100P-CBRP2
M83513/11-G01PW	104R51P-CBRPT1	M83513/11-G03TP	100RT51P-CBRP3	M83513/12-H02TN	100RT100P-CBR2
M83513/11-G01TP	100RT51P-CBRP1	M83513/11-G03TN	100RT51P-CBR3	M83513/12-H02TU	100RT100P-CBRU2
M83513/11-G01TN	100RT51P-CBR1	M83513/11-G03TT	100RT51P-CBRT3	M83513/12-H02TY	100RT100P-CBRPU2
M83513/11-G01TT	100RT51P-CBRT1	M83513/11-G03TW	100RT51P-CBRPT3	M83513/12-H03AP	100RL100P-CBRP3
M83513/11-G01TW	100RT51P-CBRPT1	M83513/12-H01AP	100RL100P-CBRP1	M83513/12-H03AN	100RL100P-CBR3
M83513/11-G02AP	100RL51P-CBRP2	M83513/12-H01AN	100RL100P-CBR1	M83513/12-H03AU	100RL100P-CBRU3
M83513/11-G02AN	100RL51P-CBR2	M83513/12-H01AU	100RL100P-CBRU1	M83513/12-H03AY	100RL100P-CBRPU3
M83513/11-G02AT	100RL51P-CBRT2	M83513/12-H01AY	100RL100P-CBRPU1	M83513/12-H03CN	100RC100P-CBR3
M83513/11-G02AW	100RL51P-CBRPT2	M83513/12-H01CN	100RC100P-CBR1	M83513/12-H03CP	100RC100P-CBRP3
M83513/11-G02CN	100RC51P-CBR2	M83513/12-H01CP	100RC100P-CBRP1	M83513/12-H03CU	100RC100P-CBRU3
M83513/11-G02CP	100RC51P-CBRP2	M83513/12-H01CU	100RC100P-CBRU1	M83513/12-H03CY	100RC100P-CBRPU3
M83513/11-G02CT	100RC51P-CBRT2	M83513/12-H01CY	100RC100P-CBRPU1	M83513/12-H03KN	100RK100P-CBR3
M83513/11-G02CW	100RC51P-CBRPT2	M83513/12-H01KN	100RK100P-CBR1	M83513/12-H03KP	100RK100P-CBRP3
M83513/11-G02KN	100RK51P-CBR2	M83513/12-H01KP	100RK100P-CBRP1	M83513/12-H03KU	100RK100P-CBRU3
M83513/11-G02KP	100RK51P-CBRP2	M83513/12-H01KU	100RK100P-CBRU1	M83513/12-H03KY	100RK100P-CBRPU3
M83513/11-G02KT	100RK51P-CBRT2	M83513/12-H01KY	100RK100P-CBRPU1	M83513/12-H03NN	100RN100P-CBR3
M83513/11-G02KW	100RK51P-CBRPT2	M83513/12-H01NN	100RN100P-CBR1	M83513/12-H03NP	100RN100P-CBRP3
M83513/11-G02NN	100RN51P-CBR2	M83513/12-H01NP	100RN100P-CBRP1	M83513/12-H03NU	100RN100P-CBRU3
M83513/11-G02NP	100RN51P-CBRP2	M83513/12-H01NU	100RN100P-CBRU1	M83513/12-H03NY	100RN100P-CBRPU3
M83513/11-G02NT	100RN51P-CBRT2	M83513/12-H01NY	100RN100P-CBRPU1	M83513/12-H03PN	104R100P-CBR3
M83513/11-G02NW	100RN51P-CBRPT2	M83513/12-H01PN	104R100P-CBR1	M83513/12-H03PP	104R100P-CBRP3
M83513/11-G02PN	104R51P-CBR2	M83513/12-H01PP	104R100P-CBRP1	M83513/12-H03PU	104R100P-CBRU3
M83513/11-G02PP	104R51P-CBRP2	M83513/12-H01PU	104R100P-CBRU1	M83513/12-H03PY	104R100P-CBRPU3
M83513/11-G02PT	104R51P-CBRT2	M83513/12-H01PY	104R100P-CBRPU1	M83513/12-H03TP	100RT100P-CBRP3
M83513/11-G02PW	104R51P-CBRPT2	M83513/12-H01TP	100RT100P-CBRP1	M83513/12-H03TN	100RT100P-CBR3

MICRO-D

PART NUMBER CROSS REFERENCE

Mil-Spec	Amphenol	Mil-Spec	Amphenol	Mil-Spec	Amphenol
M83513/12-H03TU	100RT100P-CBRU3	M83513/13-A02TW	100RT09S-CBRPT2	M83513/13-B02AP	100RL15S-CBRP2
M83513/12-H03TY	100RT100P-CBRPU3	M83513/13-A03AP	100RL09S-CBRP3	M83513/13-B02AN	100RL15S-CBR2
M83513/13-A01AP	100RL09S-CBRP1	M83513/13-A03AN	100RL09S-CBR3	M83513/13-B02AT	100RL15S-CBR2
M83513/13-A01AN	100RL09S-CBR1	M83513/13-A03AT	100RL09S-CBR3	M83513/13-B02AW	100RL15S-CBRPT2
M83513/13-A01AT	100RL09S-CBRT1	M83513/13-A03AW	100RL09S-CBRPT3	M83513/13-B02CN	100RC15S-CBR2
M83513/13-A01AW	100RL09S-CBRPT1	M83513/13-A03CN	100RC09S-CBR3	M83513/13-B02CP	100RC15S-CBRP2
M83513/13-A01CN	100RC09S-CBR1	M83513/13-A03CP	100RC09S-CBRP3	M83513/13-B02CT	100RC15S-CBR2
M83513/13-A01CP	100RC09S-CBRP1	M83513/13-A03CT	100RC09S-CBR3	M83513/13-B02CW	100RC15S-CBRPT2
M83513/13-A01CT	100RC09S-CBRT1	M83513/13-A03CW	100RC09S-CBRPT3	M83513/13-B02KN	100RK15S-CBR2
M83513/13-A01CW	100RC09S-CBRPT1	M83513/13-A03KN	100RK09S-CBR3	M83513/13-B02KP	100RK15S-CBRP2
M83513/13-A01KN	100RK09S-CBR1	M83513/13-A03KP	100RK09S-CBRP3	M83513/13-B02KT	100RK15S-CBR2
M83513/13-A01KP	100RK09S-CBRP1	M83513/13-A03KT	100RK09S-CBR3	M83513/13-B02KW	100RK15S-CBRPT2
M83513/13-A01KT	100RK09S-CBRT1	M83513/13-A03KW	100RK09S-CBRPT3	M83513/13-B02NN	100RN15S-CBR2
M83513/13-A01KW	100RK09S-CBRPT1	M83513/13-A03NN	100RN09S-CBR3	M83513/13-B02NP	100RN15S-CBRP2
M83513/13-A01NN	100RN09S-CBR1	M83513/13-A03NP	100RN09S-CBRP3	M83513/13-B02NT	100RN15S-CBR2
M83513/13-A01NP	100RN09S-CBRP1	M83513/13-A03NT	100RN09S-CBR3	M83513/13-B02NW	100RN15S-CBRPT2
M83513/13-A01NT	100RN09S-CBRT1	M83513/13-A03NW	100RN09S-CBRPT3	M83513/13-B02PN	104R15S-CBR2
M83513/13-A01NW	100RN09S-CBRPT1	M83513/13-A03PN	104R09S-CBR3	M83513/13-B02PP	104R15S-CBRP2
M83513/13-A01PN	104R09S-CBR1	M83513/13-A03PP	104R09S-CBRP3	M83513/13-B02PT	104R15S-CBR2
M83513/13-A01PP	104R09S-CBRP1	M83513/13-A03PT	104R09S-CBR3	M83513/13-B02PW	104R15S-CBRPT2
M83513/13-A01PT	104R09S-CBRT1	M83513/13-A03PW	104R09S-CBRPT3	M83513/13-B02TP	100RT15S-CBRP2
M83513/13-A01PW	104R09S-CBRPT1	M83513/13-A03TP	100RT09S-CBRP3	M83513/13-B02TN	100RT15S-CBR2
M83513/13-A01TP	100RT09S-CBRP1	M83513/13-A03TN	100RT09S-CBR3	M83513/13-B02TT	100RT15S-CBR2
M83513/13-A01TN	100RT09S-CBR1	M83513/13-A03TT	100RT09S-CBR3	M83513/13-B02TW	100RT15S-CBRPT2
M83513/13-A01TT	100RT09S-CBRT1	M83513/13-A03TW	100RT09S-CBRPT3	M83513/13-B03AP	100RL15S-CBRP3
M83513/13-A01TW	100RT09S-CBRPT1	M83513/13-B01AP	100RL15S-CBRP1	M83513/13-B03AN	100RL15S-CBR3
M83513/13-A02AP	100RL09S-CBRP2	M83513/13-B01AN	100RL15S-CBR1	M83513/13-B03AT	100RL15S-CBR3
M83513/13-A02AN	100RL09S-CBR2	M83513/13-B01AT	100RL15S-CBRT1	M83513/13-B03AW	100RL15S-CBRPT3
M83513/13-A02AT	100RL09S-CBRT2	M83513/13-B01AW	100RL15S-CBRPT1	M83513/13-B03CN	100RC15S-CBR3
M83513/13-A02AW	100RL09S-CBRPT2	M83513/13-B01CN	100RC15S-CBR1	M83513/13-B03CP	100RC15S-CBRP3
M83513/13-A02CN	100RC09S-CBR2	M83513/13-B01CP	100RC15S-CBRP1	M83513/13-B03CT	100RC15S-CBR3
M83513/13-A02CP	100RC09S-CBRP2	M83513/13-B01CT	100RC15S-CBRT1	M83513/13-B03CW	100RC15S-CBRPT3
M83513/13-A02CT	100RC09S-CBRT2	M83513/13-B01CW	100RC15S-CBRPT1	M83513/13-B03KN	100RK15S-CBR3
M83513/13-A02CW	100RC09S-CBRPT2	M83513/13-B01KN	100RK15S-CBR1	M83513/13-B03KP	100RK15S-CBRP3
M83513/13-A02KN	100RK09S-CBR2	M83513/13-B01KP	100RK15S-CBRP1	M83513/13-B03KT	100RK15S-CBR3
M83513/13-A02KP	100RK09S-CBRP2	M83513/13-B01KT	100RK15S-CBRT1	M83513/13-B03KW	100RK15S-CBRPT3
M83513/13-A02KT	100RK09S-CBRT2	M83513/13-B01KW	100RK15S-CBRPT1	M83513/13-B03NN	100RN15S-CBR3
M83513/13-A02KW	100RK09S-CBRPT2	M83513/13-B01NN	100RN15S-CBR1	M83513/13-B03NP	100RN15S-CBRP3
M83513/13-A02NN	100RN09S-CBR2	M83513/13-B01NP	100RN15S-CBRP1	M83513/13-B03NT	100RN15S-CBR3
M83513/13-A02NP	100RN09S-CBRP2	M83513/13-B01NT	100RN15S-CBRT1	M83513/13-B03NW	100RN15S-CBRPT3
M83513/13-A02NT	100RN09S-CBRT2	M83513/13-B01NW	100RN15S-CBRPT1	M83513/13-B03PN	104R15S-CBR3
M83513/13-A02NW	100RN09S-CBRPT2	M83513/13-B01PN	104R15S-CBR1	M83513/13-B03PP	104R15S-CBRP3
M83513/13-A02PN	104R09S-CBR2	M83513/13-B01PP	104R15S-CBRP1	M83513/13-B03PT	104R15S-CBR3
M83513/13-A02PP	104R09S-CBRP2	M83513/13-B01PT	104R15S-CBRT1	M83513/13-B03PW	104R15S-CBRPT3
M83513/13-A02PT	104R09S-CBRT2	M83513/13-B01PW	104R15S-CBRPT1	M83513/13-B03TP	100RT15S-CBRP3
M83513/13-A02PW	104R09S-CBRPT2	M83513/13-B01TP	100RT15S-CBRP1	M83513/13-B03TN	100RT15S-CBR3
M83513/13-A02TP	100RT09S-CBRP2	M83513/13-B01TN	100RT15S-CBR1	M83513/13-B03TT	100RT15S-CBR3
M83513/13-A02TN	100RT09S-CBR2	M83513/13-B01TT	100RT15S-CBRT1	M83513/13-B03TW	100RT15S-CBRPT3
M83513/13-A02TT	100RT09S-CBRT2	M83513/13-B01TW	100RT15S-CBRPT1	M83513/13-C01AP	100RL21S-CBRP1

PART NUMBER CROSS REFERENCE

MICRO-D

Mil-Spec	Amphenol
M83513/13-C01AN	100RL21S-CBR1
M83513/13-C01AT	100RL21S-CBRT1
M83513/13-C01AW	100RL21S-CBRPT1
M83513/13-C01CN	100RC21S-CBR1
M83513/13-C01CP	100RC21S-CBRP1
M83513/13-C01CT	100RC21S-CBRT1
M83513/13-C01CW	100RC21S-CBRPT1
M83513/13-C01KN	100RK21S-CBR1
M83513/13-C01KP	100RK21S-CBRP1
M83513/13-C01KT	100RK21S-CBRT1
M83513/13-C01KW	100RK21S-CBRPT1
M83513/13-C01NN	100RN21S-CBR1
M83513/13-C01NP	100RN21S-CBRP1
M83513/13-C01NT	100RN21S-CBRT1
M83513/13-C01NW	100RN21S-CBRPT1
M83513/13-C01PN	104R21S-CBR1
M83513/13-C01PP	104R21S-CBRP1
M83513/13-C01PT	104R21S-CBRT1
M83513/13-C01PW	104R21S-CBRPT1
M83513/13-C01TP	100RT21S-CBRP1
M83513/13-C01TN	100RT21S-CBR1
M83513/13-C01TT	100RT21S-CBRT1
M83513/13-C01TW	100RT21S-CBRPT1
M83513/13-C02AP	100RL21S-CBRP2
M83513/13-C02AN	100RL21S-CBR2
M83513/13-C02AT	100RL21S-CBRT2
M83513/13-C02AW	100RL21S-CBRPT2
M83513/13-C02CN	100RC21S-CBR2
M83513/13-C02CP	100RC21S-CBRP2
M83513/13-C02CT	100RC21S-CBRT2
M83513/13-C02CW	100RC21S-CBRPT2
M83513/13-C02KN	100RK21S-CBR2
M83513/13-C02KP	100RK21S-CBRP2
M83513/13-C02KT	100RK21S-CBRT2
M83513/13-C02KW	100RK21S-CBRPT2
M83513/13-C02NN	100RN21S-CBR2
M83513/13-C02NP	100RN21S-CBRP2
M83513/13-C02NT	100RN21S-CBRT2
M83513/13-C02NW	100RN21S-CBRPT2
M83513/13-C02PN	104R21S-CBR2
M83513/13-C02PP	104R21S-CBRP2
M83513/13-C02PT	104R21S-CBRT2
M83513/13-C02PW	104R21S-CBRPT2
M83513/13-C02TP	100RT21S-CBRP2
M83513/13-C02TN	100RT21S-CBR2
M83513/13-C02TT	100RT21S-CBRT2
M83513/13-C02TW	100RT21S-CBRPT2
M83513/13-C03AP	100RL21S-CBRP3
M83513/13-C03AN	100RL21S-CBR3

Mil-Spec	Amphenol
M83513/13-C03AT	100RL21S-CBRT3
M83513/13-C03AW	100RL21S-CBRPT3
M83513/13-C03CN	100RC21S-CBR3
M83513/13-C03CP	100RC21S-CBRP3
M83513/13-C03CT	100RC21S-CBRT3
M83513/13-C03CW	100RC21S-CBRPT3
M83513/13-C03KN	100RK21S-CBR3
M83513/13-C03KP	100RK21S-CBRP3
M83513/13-C03KT	100RK21S-CBRT3
M83513/13-C03KW	100RK21S-CBRPT3
M83513/13-C03NN	100RN21S-CBR3
M83513/13-C03NP	100RN21S-CBRP3
M83513/13-C03NT	100RN21S-CBRT3
M83513/13-C03NW	100RN21S-CBRPT3
M83513/13-C03PN	104R21S-CBR3
M83513/13-C03PP	104R21S-CBRP3
M83513/13-C03PT	104R21S-CBRT3
M83513/13-C03PW	104R21S-CBRPT3
M83513/13-C03TP	100RT21S-CBRP3
M83513/13-C03TN	100RT21S-CBR3
M83513/13-C03TT	100RT21S-CBRT3
M83513/13-C03TW	100RT21S-CBRPT3
M83513/13-D01AP	100RL25S-CBRP1
M83513/13-D01AN	100RL25S-CBR1
M83513/13-D01AT	100RL25S-CBRT1
M83513/13-D01AW	100RL25S-CBRPT1
M83513/13-D01CN	100RC25S-CBR1
M83513/13-D01CP	100RC25S-CBRP1
M83513/13-D01CT	100RC25S-CBRT1
M83513/13-D01CW	100RC25S-CBRPT1
M83513/13-D01KN	100RK25S-CBR1
M83513/13-D01KP	100RK25S-CBRP1
M83513/13-D01KT	100RK25S-CBRT1
M83513/13-D01KW	100RK25S-CBRPT1
M83513/13-D01NN	100RN25S-CBR1
M83513/13-D01NP	100RN25S-CBRP1
M83513/13-D01NT	100RN25S-CBRT1
M83513/13-D01NW	100RN25S-CBRPT1
M83513/13-D01PN	104R25S-CBR1
M83513/13-D01PP	104R25S-CBRP1
M83513/13-D01PT	104R25S-CBRT1
M83513/13-D01PW	104R25S-CBRPT1
M83513/13-D01TP	100RT25S-CBRP1
M83513/13-D01TN	100RT25S-CBR1
M83513/13-D01TT	100RT25S-CBRT1
M83513/13-D01TW	100RT25S-CBRPT1
M83513/13-D02AP	100RL25S-CBRP2
M83513/13-D02AN	100RL25S-CBR2
M83513/13-D02AT	100RL25S-CBRT2

Mil-Spec	Amphenol
M83513/13-D02AW	100RL25S-CBRPT2
M83513/13-D02CN	100RC25S-CBR2
M83513/13-D02CP	100RC25S-CBRP2
M83513/13-D02CT	100RC25S-CBRT2
M83513/13-D02CW	100RC25S-CBRPT2
M83513/13-D02KN	100RK25S-CBR2
M83513/13-D02KP	100RK25S-CBRP2
M83513/13-D02KT	100RK25S-CBRT2
M83513/13-D02KW	100RK25S-CBRPT2
M83513/13-D02NN	100RN25S-CBR2
M83513/13-D02NP	100RN25S-CBRP2
M83513/13-D02NT	100RN25S-CBRT2
M83513/13-D02NW	100RN25S-CBRPT2
M83513/13-D02PN	104R25S-CBR2
M83513/13-D02PP	104R25S-CBRP2
M83513/13-D02PT	104R25S-CBRT2
M83513/13-D02PW	104R25S-CBRPT2
M83513/13-D02TP	100RT25S-CBRP2
M83513/13-D02TN	100RT25S-CBR2
M83513/13-D02TT	100RT25S-CBRT2
M83513/13-D02TW	100RT25S-CBRPT2
M83513/13-D03AP	100RL25S-CBRP3
M83513/13-D03AN	100RL25S-CBR3
M83513/13-D03AT	100RL25S-CBRT3
M83513/13-D03AW	100RL25S-CBRPT3
M83513/13-D03CN	100RC25S-CBR3
M83513/13-D03CP	100RC25S-CBRP3
M83513/13-D03CT	100RC25S-CBRT3
M83513/13-D03CW	100RC25S-CBRPT3
M83513/13-D03KN	100RK25S-CBR3
M83513/13-D03KP	100RK25S-CBRP3
M83513/13-D03KT	100RK25S-CBRT3
M83513/13-D03KW	100RK25S-CBRPT3
M83513/13-D03NN	100RN25S-CBR3
M83513/13-D03NP	100RN25S-CBRP3
M83513/13-D03NT	100RN25S-CBRT3
M83513/13-D03NW	100RN25S-CBRPT3
M83513/13-D03PN	104R25S-CBR3
M83513/13-D03PP	104R25S-CBRP3
M83513/13-D03PT	104R25S-CBRT3
M83513/13-D03PW	104R25S-CBRPT3
M83513/13-D03TP	100RT25S-CBRP3
M83513/13-D03TN	100RT25S-CBR3
M83513/13-D03TT	100RT25S-CBRT3
M83513/13-D03TW	100RT25S-CBRPT3
M83513/13-E01AP	100RL31S-CBRP1
M83513/13-E01AN	100RL31S-CBR1
M83513/13-E01AT	100RL31S-CBRT1
M83513/13-E01AW	100RL31S-CBRPT1

PART NUMBER CROSS REFERENCE

Mil-Spec	Amphenol	Mil-Spec	Amphenol	Mil-Spec	Amphenol
M83513/13-E01CN	100RC31S-CBR1	M83513/13-E03CP	100RC31S-CBRP3	M83513/13-F02CT	100RC37S-CBRT2
M83513/13-E01CP	100RC31S-CBRP1	M83513/13-E03CT	100RC31S-CBRT3	M83513/13-F02CW	100RC37S-CBRPT2
M83513/13-E01CT	100RC31S-CBRT1	M83513/13-E03CW	100RC31S-CBRPT3	M83513/13-F02KN	100RK37S-CBR2
M83513/13-E01CW	100RC31S-CBRPT1	M83513/13-E03KN	100RK31S-CBR3	M83513/13-F02KP	100RK37S-CBRP2
M83513/13-E01KN	100RK31S-CBR1	M83513/13-E03KP	100RK31S-CBRP3	M83513/13-F02KT	100RK37S-CBRT2
M83513/13-E01KP	100RK31S-CBRP1	M83513/13-E03KT	100RK31S-CBRT3	M83513/13-F02KW	100RK37S-CBRPT2
M83513/13-E01KT	100RK31S-CBRT1	M83513/13-E03KW	100RK31S-CBRPT3	M83513/13-F02NN	100RN37S-CBR2
M83513/13-E01KW	100RK31S-CBRPT1	M83513/13-E03NN	100RN31S-CBR3	M83513/13-F02NP	100RN37S-CBRP2
M83513/13-E01NN	100RN31S-CBR1	M83513/13-E03NP	100RN31S-CBRP3	M83513/13-F02NT	100RN37S-CBRT2
M83513/13-E01NP	100RN31S-CBRP1	M83513/13-E03NT	100RN31S-CBRT3	M83513/13-F02NW	100RN37S-CBRPT2
M83513/13-E01NT	100RN31S-CBRT1	M83513/13-E03NW	100RN31S-CBRPT3	M83513/13-F02PN	104R37S-CBR2
M83513/13-E01NW	100RN31S-CBRPT1	M83513/13-E03PN	104R31S-CBR3	M83513/13-F02PP	104R37S-CBRP2
M83513/13-E01PN	104R31S-CBR1	M83513/13-E03PP	104R31S-CBRP3	M83513/13-F02PT	104R37S-CBRT2
M83513/13-E01PP	104R31S-CBRP1	M83513/13-E03PT	104R31S-CBRT3	M83513/13-F02PW	104R37S-CBRPT2
M83513/13-E01PT	104R31S-CBRT1	M83513/13-E03PW	104R31S-CBRPT3	M83513/13-F02TP	100RT37S-CBRP2
M83513/13-E01PW	104R31S-CBRPT1	M83513/13-E03TP	100RT31S-CBRP3	M83513/13-F02TN	100RT37S-CBR2
M83513/13-E01TP	100RT31S-CBRP1	M83513/13-E03TN	100RT31S-CBR3	M83513/13-F02TT	100RT37S-CBRT2
M83513/13-E01TN	100RT31S-CBR1	M83513/13-E03TT	100RT31S-CBRT3	M83513/13-F02TW	100RT37S-CBRPT2
M83513/13-E01TT	100RT31S-CBRT1	M83513/13-E03TW	100RT31S-CBRPT3	M83513/13-F03AP	100RL37S-CBRP3
M83513/13-E01TW	100RT31S-CBRPT1	M83513/13-F01AP	100RL37S-CBRP1	M83513/13-F03AN	100RL37S-CBR3
M83513/13-E02AP	100RL31S-CBRP2	M83513/13-F01AN	100RL37S-CBR1	M83513/13-F03AT	100RL37S-CBRT3
M83513/13-E02AN	100RL31S-CBR2	M83513/13-F01AT	100RL37S-CBRT1	M83513/13-F03AW	100RL37S-CBRPT3
M83513/13-E02AT	100RL31S-CBRT2	M83513/13-F01AW	100RL37S-CBRPT1	M83513/13-F03CN	100RC37S-CBR3
M83513/13-E02AW	100RL31S-CBRPT2	M83513/13-F01CN	100RC37S-CBR1	M83513/13-F03CP	100RC37S-CBRP3
M83513/13-E02CN	100RC31S-CBR2	M83513/13-F01CP	100RC37S-CBRP1	M83513/13-F03CT	100RC37S-CBRT3
M83513/13-E02CP	100RC31S-CBRP2	M83513/13-F01CT	100RC37S-CBRT1	M83513/13-F03CW	100RC37S-CBRPT3
M83513/13-E02CT	100RC31S-CBRT2	M83513/13-F01CW	100RC37S-CBRPT1	M83513/13-F03KN	100RK37S-CBR3
M83513/13-E02CW	100RC31S-CBRPT2	M83513/13-F01KN	100RK37S-CBR1	M83513/13-F03KP	100RK37S-CBRP3
M83513/13-E02KN	100RK31S-CBR2	M83513/13-F01KP	100RK37S-CBRP1	M83513/13-F03KT	100RK37S-CBRT3
M83513/13-E02KP	100RK31S-CBRP2	M83513/13-F01KT	100RK37S-CBRT1	M83513/13-F03KW	100RK37S-CBRPT3
M83513/13-E02KT	100RK31S-CBRT2	M83513/13-F01KW	100RK37S-CBRPT1	M83513/13-F03NN	100RN37S-CBR3
M83513/13-E02KW	100RK31S-CBRPT2	M83513/13-F01NN	100RN37S-CBR1	M83513/13-F03NP	100RN37S-CBRP3
M83513/13-E02NN	100RN31S-CBR2	M83513/13-F01NP	100RN37S-CBRP1	M83513/13-F03NT	100RN37S-CBRT3
M83513/13-E02NP	100RN31S-CBRP2	M83513/13-F01NT	100RN37S-CBRT1	M83513/13-F03NW	100RN37S-CBRPT3
M83513/13-E02NT	100RN31S-CBRT2	M83513/13-F01NW	100RN37S-CBRPT1	M83513/13-F03PN	104R37S-CBR3
M83513/13-E02NW	100RN31S-CBRPT2	M83513/13-F01PN	104R37S-CBR1	M83513/13-F03PP	104R37S-CBRP3
M83513/13-E02PN	104R31S-CBR2	M83513/13-F01PP	104R37S-CBRP1	M83513/13-F03PT	104R37S-CBRT3
M83513/13-E02PP	104R31S-CBRP2	M83513/13-F01PT	104R37S-CBRT1	M83513/13-F03PW	104R37S-CBRPT3
M83513/13-E02PT	104R31S-CBRT2	M83513/13-F01PW	104R37S-CBRPT1	M83513/13-F03TP	100RT37S-CBRP3
M83513/13-E02PW	104R31S-CBRPT2	M83513/13-F01TP	100RT37S-CBRP1	M83513/13-F03TN	100RT37S-CBR3
M83513/13-E02TP	100RT31S-CBRP2	M83513/13-F01TN	100RT37S-CBR1	M83513/13-F03TT	100RT37S-CBRT3
M83513/13-E02TN	100RT31S-CBR2	M83513/13-F01TT	100RT37S-CBRT1	M83513/13-F03TW	100RT37S-CBRPT3
M83513/13-E02TT	100RT31S-CBRT2	M83513/13-F01TW	100RT37S-CBRPT1	M83513/14-G01AP	100RL51S-CBRP1
M83513/13-E02TW	100RT31S-CBRPT2	M83513/13-F02AP	100RL37S-CBRP2	M83513/14-G01AN	100RL51S-CBR1
M83513/13-E03AP	100RL31S-CBRP3	M83513/13-F02AN	100RL37S-CBR2	M83513/14-G01AT	100RL51S-CBRT1
M83513/13-E03AN	100RL31S-CBR3	M83513/13-F02AT	100RL37S-CBRT2	M83513/14-G01AW	100RL51S-CBRPT1
M83513/13-E03AT	100RL31S-CBRT3	M83513/13-F02AW	100RL37S-CBRPT2	M83513/14-G01CN	100RC51S-CBR1
M83513/13-E03AW	100RL31S-CBRPT3	M83513/13-F02CN	100RC37S-CBR2	M83513/14-G01CP	100RC51S-CBRP1
M83513/13-E03CN	100RC31S-CBR3	M83513/13-F02CP	100RC37S-CBRP2	M83513/14-G01CT	100RC51S-CBRT1

PART NUMBER CROSS REFERENCE

MICRO-D

Mil-Spec	Amphenol	Mil-Spec	Amphenol	Mil-Spec	Amphenol
M83513/14-G01CW	100RC51S-CBRPT1	M83513/14-G03KN	100RK51S-CBR3	M83513/15-H02KP	100RK100S-CBRP2
M83513/14-G01KN	100RK51S-CBR1	M83513/14-G03KP	100RK51S-CBRP3	M83513/15-H02KU	100RK100S-CBRU2
M83513/14-G01KP	100RK51S-CBRP1	M83513/14-G03KT	100RK51S-CBRT3	M83513/15-H02KY	100RK100S-CBRPU2
M83513/14-G01KT	100RK51S-CBRT1	M83513/14-G03KW	100RK51S-CBRPT3	M83513/15-H02NN	100RN100S-CBR2
M83513/14-G01KW	100RK51S-CBRPT1	M83513/14-G03NN	100RN51S-CBR3	M83513/15-H02NP	100RN100S-CBRP2
M83513/14-G01NN	100RN51S-CBR1	M83513/14-G03NP	100RN51S-CBRP3	M83513/15-H02NU	100RN100S-CBRU2
M83513/14-G01NP	100RN51S-CBRP1	M83513/14-G03NT	100RN51S-CBRT3	M83513/15-H02NY	100RN100S-CBRPU2
M83513/14-G01NT	100RN51S-CBRT1	M83513/14-G03NW	100RN51S-CBRPT3	M83513/15-H02PN	104R100S-CBR2
M83513/14-G01NW	100RN51S-CBRPT1	M83513/14-G03PN	104R51S-CBR3	M83513/15-H02PP	104R100S-CBRP2
M83513/14-G01PN	104R51S-CBR1	M83513/14-G03PP	104R51S-CBRP3	M83513/15-H02PU	104R100S-CBRU2
M83513/14-G01PP	104R51S-CBRP1	M83513/14-G03PT	104R51S-CBRT3	M83513/15-H02PY	104R100S-CBRPU2
M83513/14-G01PT	104R51S-CBRT1	M83513/14-G03PW	104R51S-CBRPT3	M83513/15-H02TP	100RT100S-CBRP2
M83513/14-G01PW	104R51S-CBRPT1	M83513/14-G03TP	100RT51S-CBRP3	M83513/15-H02TN	100RT100S-CBR2
M83513/14-G01TP	100RT51S-CBRP1	M83513/14-G03TN	100RT51S-CBR3	M83513/15-H02TU	100RT100S-CBRU2
M83513/14-G01TN	100RT51S-CBR1	M83513/14-G03TT	100RT51S-CBRT3	M83513/15-H02TY	100RT100S-CBRPU2
M83513/14-G01TT	100RT51S-CBRT1	M83513/14-G03TW	100RT51S-CBRPT3	M83513/15-H03AP	100RL100S-CBRP3
M83513/14-G01TW	100RT51S-CBRPT1	M83513/15-H01AP	100RL100S-CBRP1	M83513/15-H03AN	100RL100S-CBR3
M83513/14-G02AP	100RL51S-CBRP2	M83513/15-H01AN	100RL100S-CBR1	M83513/15-H03AU	100RL100S-CBRU3
M83513/14-G02AN	100RL51S-CBR2	M83513/15-H01AU	100RL100S-CBRU1	M83513/15-H03AY	100RL100S-CBRPU3
M83513/14-G02AT	100RL51S-CBRT2	M83513/15-H01AY	100RL100S-CBRPU1	M83513/15-H03CN	100RC100S-CBR3
M83513/14-G02AW	100RL51S-CBRPT2	M83513/15-H01CN	100RC100S-CBR1	M83513/15-H03CP	100RC100S-CBRP3
M83513/14-G02CN	100RC51S-CBR2	M83513/15-H01CP	100RC100S-CBRP1	M83513/15-H03CU	100RC100S-CBRU3
M83513/14-G02CP	100RC51S-CBRP2	M83513/15-H01CU	100RC100S-CBRU1	M83513/15-H03CY	100RC100S-CBRPU3
M83513/14-G02CT	100RC51S-CBRT2	M83513/15-H01CY	100RC100S-CBRPU1	M83513/15-H03KN	100RK100S-CBR3
M83513/14-G02CW	100RC51S-CBRPT2	M83513/15-H01KN	100RK100S-CBR1	M83513/15-H03KP	100RK100S-CBRP3
M83513/14-G02KN	100RK51S-CBR2	M83513/15-H01KP	100RK100S-CBRP1	M83513/15-H03KU	100RK100S-CBRU3
M83513/14-G02KP	100RK51S-CBRP2	M83513/15-H01KU	100RK100S-CBRU1	M83513/15-H03KY	100RK100S-CBRPU3
M83513/14-G02KT	100RK51S-CBRT2	M83513/15-H01KY	100RK100S-CBRPU1	M83513/15-H03NN	100RN100S-CBR3
M83513/14-G02KW	100RK51S-CBRPT2	M83513/15-H01NN	100RN100S-CBR1	M83513/15-H03NP	100RN100S-CBRP3
M83513/14-G02NN	100RN51S-CBR2	M83513/15-H01NP	100RN100S-CBRP1	M83513/15-H03NU	100RN100S-CBRU3
M83513/14-G02NP	100RN51S-CBRP2	M83513/15-H01NU	100RN100S-CBRU1	M83513/15-H03NY	100RN100S-CBRPU3
M83513/14-G02NT	100RN51S-CBRT2	M83513/15-H01NY	100RN100S-CBRPU1	M83513/15-H03PN	104R100S-CBR3
M83513/14-G02NW	100RN51S-CBRPT2	M83513/15-H01PN	104R100S-CBR1	M83513/15-H03PP	104R100S-CBRP3
M83513/14-G02PN	104R51S-CBR2	M83513/15-H01PP	104R100S-CBRP1	M83513/15-H03PU	104R100S-CBRU3
M83513/14-G02PP	104R51S-CBRP2	M83513/15-H01PU	104R100S-CBRU1	M83513/15-H03PY	104R100S-CBRPU3
M83513/14-G02PT	104R51S-CBRT2	M83513/15-H01PY	104R100S-CBRPU1	M83513/15-H03TP	100RT100S-CBRP3
M83513/14-G02PW	104R51S-CBRPT2	M83513/15-H01TP	100RT100S-CBRP1	M83513/15-H03TN	100RT100S-CBR3
M83513/14-G02TP	100RT51S-CBRP2	M83513/15-H01TN	100RT100S-CBR1	M83513/15-H03TU	100RT100S-CBRU3
M83513/14-G02TN	100RT51S-CBR2	M83513/15-H01TU	100RT100S-CBRU1	M83513/15-H03TY	100RT100S-CBRPU3
M83513/14-G02TT	100RT51S-CBRT2	M83513/15-H01TY	100RT100S-CBRPU1	M83513/16-A01AP	100RL09P-BRP1
M83513/14-G02TW	100RT51S-CBRPT2	M83513/15-H02AP	100RL100S-CBRP2	M83513/16-A01AN	100RL09P-BR1
M83513/14-G03AP	100RL51S-CBRP3	M83513/15-H02AN	100RL100S-CBR2	M83513/16-A01AT	100RL09P-BRT1
M83513/14-G03AN	100RL51S-CBR3	M83513/15-H02AU	100RL100S-CBRU2	M83513/16-A01AW	100RL09P-BRPT1
M83513/14-G03AT	100RL51S-CBRT3	M83513/15-H02AY	100RL100S-CBRPU2	M83513/16-A01CN	100RC09P-BR1
M83513/14-G03AW	100RL51S-CBRPT3	M83513/15-H02CN	100RC100S-CBR2	M83513/16-A01CP	100RC09P-BRP1
M83513/14-G03CN	100RC51S-CBR3	M83513/15-H02CP	100RC100S-CBRP2	M83513/16-A01CT	100RC09P-BRT1
M83513/14-G03CP	100RC51S-CBRP3	M83513/15-H02CU	100RC100S-CBRU2	M83513/16-A01CW	100RC09P-BRPT1
M83513/14-G03CT	100RC51S-CBRT3	M83513/15-H02CY	100RC100S-CBRPU2	M83513/16-A01KN	100RK09P-BR1
M83513/14-G03CW	100RC51S-CBRPT3	M83513/15-H02KN	100RK100S-CBR2	M83513/16-A01KP	100RK09P-BRP1

Mil-Spec	Amphenol	Mil-Spec	Amphenol	Mil-Spec	Amphenol
M83513/16-A01KT	100RK09P-BRT1	M83513/16-A03KW	100RK09P-BRPT3	M83513/16-B02NN	100RN15P-BR2
M83513/16-A01KW	100RK09P-BRPT1	M83513/16-A03NN	100RN09P-BR3	M83513/16-B02NP	100RN15P-BRP2
M83513/16-A01NN	100RN09P-BR1	M83513/16-A03NP	100RN09P-BRP3	M83513/16-B02NT	100RN15P-BRT2
M83513/16-A01NP	100RN09P-BRP1	M83513/16-A03NT	100RN09P-BRT3	M83513/16-B02NW	100RN15P-BRPT2
M83513/16-A01NT	100RN09P-BRT1	M83513/16-A03NW	100RN09P-BRPT3	M83513/16-B02PN	104R15P-BR2
M83513/16-A01NW	100RN09P-BRPT1	M83513/16-A03PN	104R09P-BR3	M83513/16-B02PP	104R15P-BRP2
M83513/16-A01PN	104R09P-BR1	M83513/16-A03PP	104R09P-BRP3	M83513/16-B02PT	104R15P-BRT2
M83513/16-A01PP	104R09P-BRP1	M83513/16-A03PT	104R09P-BRT3	M83513/16-B02PW	104R15P-BRPT2
M83513/16-A01PT	104R09P-BRT1	M83513/16-A03PW	104R09P-BRPT3	M83513/16-B02TP	100RT15P-BRP2
M83513/16-A01PW	104R09P-BRPT1	M83513/16-A03TP	100RT09P-BRP3	M83513/16-B02TN	100RT15P-BR2
M83513/16-A01TP	100RT09P-BRP1	M83513/16-A03TN	100RT09P-BR3	M83513/16-B02TT	100RT15P-BRT2
M83513/16-A01TN	100RT09P-BR1	M83513/16-A03TT	100RT09P-BRT3	M83513/16-B02TW	100RT15P-BRPT2
M83513/16-A01TT	100RT09P-BRT1	M83513/16-A03TW	100RT09P-BRPT3	M83513/16-B03AP	100RL15P-BRP3
M83513/16-A01TW	100RT09P-BRPT1	M83513/16-B01AP	100RL15P-BRP1	M83513/16-B03AN	100RL15P-BR3
M83513/16-A02AP	100RL09P-BRP2	M83513/16-B01AN	100RL15P-BR1	M83513/16-B03AT	100RL15P-BRT3
M83513/16-A02AN	100RL09P-BR2	M83513/16-B01AT	100RL15P-BRT1	M83513/16-B03AW	100RL15P-BRPT3
M83513/16-A02AT	100RL09P-BRT2	M83513/16-B01AW	100RL15P-BRPT1	M83513/16-B03CN	100RC15P-BR3
M83513/16-A02AW	100RL09P-BRPT2	M83513/16-B01CN	100RC15P-BR1	M83513/16-B03CP	100RC15P-BRP3
M83513/16-A02CN	100RC09P-BR2	M83513/16-B01CP	100RC15P-BRP1	M83513/16-B03CT	100RC15P-BRT3
M83513/16-A02CP	100RC09P-BRP2	M83513/16-B01CT	100RC15P-BRT1	M83513/16-B03CW	100RC15P-BRPT3
M83513/16-A02CT	100RC09P-BRT2	M83513/16-B01CW	100RC15P-BRPT1	M83513/16-B03KN	100RK15P-BR3
M83513/16-A02CW	100RC09P-BRPT2	M83513/16-B01KN	100RK15P-BR1	M83513/16-B03KP	100RK15P-BRP3
M83513/16-A02KN	100RK09P-BR2	M83513/16-B01KP	100RK15P-BRP1	M83513/16-B03KT	100RK15P-BRT3
M83513/16-A02KP	100RK09P-BRP2	M83513/16-B01KT	100RK15P-BRT1	M83513/16-B03KW	100RK15P-BRPT3
M83513/16-A02KT	100RK09P-BRT2	M83513/16-B01KW	100RK15P-BRPT1	M83513/16-B03NN	100RN15P-BR3
M83513/16-A02KW	100RK09P-BRPT2	M83513/16-B01NN	100RN15P-BR1	M83513/16-B03NP	100RN15P-BRP3
M83513/16-A02NN	100RN09P-BR2	M83513/16-B01NP	100RN15P-BRP1	M83513/16-B03NT	100RN15P-BRT3
M83513/16-A02NP	100RN09P-BRP2	M83513/16-B01NT	100RN15P-BRT1	M83513/16-B03NW	100RN15P-BRPT3
M83513/16-A02NT	100RN09P-BRT2	M83513/16-B01NW	100RN15P-BRPT1	M83513/16-B03PN	104R15P-BR3
M83513/16-A02NW	100RN09P-BRPT2	M83513/16-B01PN	104R15P-BR1	M83513/16-B03PP	104R15P-BRP3
M83513/16-A02PN	104R09P-BR2	M83513/16-B01PP	104R15P-BRP1	M83513/16-B03PT	104R15P-BRT3
M83513/16-A02PP	104R09P-BRP2	M83513/16-B01PT	104R15P-BRT1	M83513/16-B03PW	104R15P-BRPT3
M83513/16-A02PT	104R09P-BRT2	M83513/16-B01PW	104R15P-BRPT1	M83513/16-B03TP	100RT15P-BRP3
M83513/16-A02PW	104R09P-BRPT2	M83513/16-B01TP	100RT15P-BRP1	M83513/16-B03TN	100RT15P-BR3
M83513/16-A02TP	100RT09P-BRP2	M83513/16-B01TN	100RT15P-BR1	M83513/16-B03TT	100RT15P-BRT3
M83513/16-A02TN	100RT09P-BR2	M83513/16-B01TT	100RT15P-BRT1	M83513/16-B03TW	100RT15P-BRPT3
M83513/16-A02TT	100RT09P-BRT2	M83513/16-B01TW	100RT15P-BRPT1	M83513/16-C01AP	100RL21P-BRP1
M83513/16-A02TW	100RT09P-BRPT2	M83513/16-B02AP	100RL15P-BRP2	M83513/16-C01AN	100RL21P-BR1
M83513/16-A03AP	100RL09P-BRP3	M83513/16-B02AN	100RL15P-BR2	M83513/16-C01AT	100RL21P-BRT1
M83513/16-A03AN	100RL09P-BR3	M83513/16-B02AT	100RL15P-BRT2	M83513/16-C01AW	100RL21P-BRPT1
M83513/16-A03AT	100RL09P-BRT3	M83513/16-B02AW	100RL15P-BRPT2	M83513/16-C01CN	100RC21P-BR1
M83513/16-A03AW	100RL09P-BRPT3	M83513/16-B02CN	100RC15P-BR2	M83513/16-C01CP	100RC21P-BRP1
M83513/16-A03CN	100RC09P-BR3	M83513/16-B02CP	100RC15P-BRP2	M83513/16-C01CT	100RC21P-BRT1
M83513/16-A03CP	100RC09P-BRP3	M83513/16-B02CT	100RC15P-BRT2	M83513/16-C01CW	100RC21P-BRPT1
M83513/16-A03CT	100RC09P-BRT3	M83513/16-B02CW	100RC15P-BRPT2	M83513/16-C01KN	100RK21P-BR1
M83513/16-A03CW	100RC09P-BRPT3	M83513/16-B02KN	100RK15P-BR2	M83513/16-C01KP	100RK21P-BRP1
M83513/16-A03KN	100RK09P-BR3	M83513/16-B02KP	100RK15P-BRP2	M83513/16-C01KT	100RK21P-BRT1
M83513/16-A03KP	100RK09P-BRP3	M83513/16-B02KT	100RK15P-BRT2	M83513/16-C01KW	100RK21P-BRPT1
M83513/16-A03KT	100RK09P-BRT3	M83513/16-B02KW	100RK15P-BRPT2	M83513/16-C01NN	100RN21P-BR1

PART NUMBER CROSS REFERENCE

MICRO-D

Mil-Spec	Amphenol	Mil-Spec	Amphenol	Mil-Spec	Amphenol
M83513/16-C01NP	100RN21P-BRP1	M83513/16-C03NT	100RN21P-BRT3	M83513/16-D02NW	100RN25P-BRPT2
M83513/16-C01NT	100RN21P-BRT1	M83513/16-C03NW	100RN21P-BRPT3	M83513/16-D02PN	104R25P-BR2
M83513/16-C01NW	100RN21P-BRPT1	M83513/16-C03PN	104R21P-BR3	M83513/16-D02PP	104R25P-BRP2
M83513/16-C01PN	104R21P-BR1	M83513/16-C03PP	104R21P-BRP3	M83513/16-D02PT	104R25P-BRT2
M83513/16-C01PP	104R21P-BRP1	M83513/16-C03PT	104R21P-BRT3	M83513/16-D02PW	104R25P-BRPT2
M83513/16-C01PT	104R21P-BRT1	M83513/16-C03PW	104R21P-BRPT3	M83513/16-D02TP	100RT25P-BRP2
M83513/16-C01PW	104R21P-BRPT1	M83513/16-C03TP	100RT21P-BRP3	M83513/16-D02TN	100RT25P-BR2
M83513/16-C01TP	100RT21P-BRP1	M83513/16-C03TN	100RT21P-BR3	M83513/16-D02TT	100RT25P-BRT2
M83513/16-C01TN	100RT21P-BR1	M83513/16-C03TT	100RT21P-BRT3	M83513/16-D02TW	100RT25P-BRPT2
M83513/16-C01TT	100RT21P-BRT1	M83513/16-C03TW	100RT21P-BRPT3	M83513/16-D03AP	100RL25P-BRP3
M83513/16-C01TW	100RT21P-BRPT1	M83513/16-D01AP	100RL25P-BRP1	M83513/16-D03AN	100RL25P-BR3
M83513/16-C02AP	100RL21P-BRP2	M83513/16-D01AN	100RL25P-BR1	M83513/16-D03AT	100RL25P-BRT3
M83513/16-C02AN	100RL21P-BR2	M83513/16-D01AT	100RL25P-BRT1	M83513/16-D03AW	100RL25P-BRPT3
M83513/16-C02AT	100RL21P-BRT2	M83513/16-D01AW	100RL25P-BRPT1	M83513/16-D03CN	100RC25P-BR3
M83513/16-C02AW	100RL21P-BRPT2	M83513/16-D01CN	100RC25P-BR1	M83513/16-D03CP	100RC25P-BRP3
M83513/16-C02CN	100RC21P-BR2	M83513/16-D01CP	100RC25P-BRP1	M83513/16-D03CT	100RC25P-BRT3
M83513/16-C02CP	100RC21P-BRP2	M83513/16-D01CT	100RC25P-BRT1	M83513/16-D03CW	100RC25P-BRPT3
M83513/16-C02CT	100RC21P-BRT2	M83513/16-D01CW	100RC25P-BRPT1	M83513/16-D03KN	100RK25P-BR3
M83513/16-C02CW	100RC21P-BRPT2	M83513/16-D01KN	100RK25P-BR1	M83513/16-D03KP	100RK25P-BRP3
M83513/16-C02KN	100RK21P-BR2	M83513/16-D01KP	100RK25P-BRP1	M83513/16-D03KT	100RK25P-BRT3
M83513/16-C02KP	100RK21P-BRP2	M83513/16-D01KT	100RK25P-BRT1	M83513/16-D03KW	100RK25P-BRPT3
M83513/16-C02KT	100RK21P-BRT2	M83513/16-D01KW	100RK25P-BRPT1	M83513/16-D03NN	100RN25P-BR3
M83513/16-C02KW	100RK21P-BRPT2	M83513/16-D01NN	100RN25P-BR1	M83513/16-D03NP	100RN25P-BRP3
M83513/16-C02NN	100RN21P-BR2	M83513/16-D01NP	100RN25P-BRP1	M83513/16-D03NT	100RN25P-BRT3
M83513/16-C02NP	100RN21P-BRP2	M83513/16-D01NT	100RN25P-BRT1	M83513/16-D03NW	100RN25P-BRPT3
M83513/16-C02NT	100RN21P-BRT2	M83513/16-D01NW	100RN25P-BRPT1	M83513/16-D03PN	104R25P-BR3
M83513/16-C02NW	100RN21P-BRPT2	M83513/16-D01PN	104R25P-BR1	M83513/16-D03PP	104R25P-BRP3
M83513/16-C02PN	104R21P-BR2	M83513/16-D01PP	104R25P-BRP1	M83513/16-D03PT	104R25P-BRT3
M83513/16-C02PP	104R21P-BRP2	M83513/16-D01PT	104R25P-BRT1	M83513/16-D03PW	104R25P-BRPT3
M83513/16-C02PT	104R21P-BRT2	M83513/16-D01PW	104R25P-BRPT1	M83513/16-D03TP	100RT25P-BRP3
M83513/16-C02PW	104R21P-BRPT2	M83513/16-D01TP	100RT25P-BRP1	M83513/16-D03TN	100RT25P-BR3
M83513/16-C02TP	100RT21P-BRP2	M83513/16-D01TN	100RT25P-BR1	M83513/16-D03TT	100RT25P-BRT3
M83513/16-C02TN	100RT21P-BR2	M83513/16-D01TT	100RT25P-BRT1	M83513/16-D03TW	100RT25P-BRPT3
M83513/16-C02TT	100RT21P-BRT2	M83513/16-D01TW	100RT25P-BRPT1	M83513/16-E01AP	100RL31P-BRP1
M83513/16-C02TW	100RT21P-BRPT2	M83513/16-D02AP	100RL25P-BRP2	M83513/16-E01AN	100RL31P-BR1
M83513/16-C03AP	100RL21P-BRP3	M83513/16-D02AN	100RL25P-BR2	M83513/16-E01AT	100RL31P-BRT1
M83513/16-C03AN	100RL21P-BR3	M83513/16-D02AT	100RL25P-BRT2	M83513/16-E01AW	100RL31P-BRPT1
M83513/16-C03AT	100RL21P-BRT3	M83513/16-D02AW	100RL25P-BRPT2	M83513/16-E01CN	100RC31P-BR1
M83513/16-C03AW	100RL21P-BRPT3	M83513/16-D02CN	100RC25P-BR2	M83513/16-E01CP	100RC31P-BRP1
M83513/16-C03CN	100RC21P-BR3	M83513/16-D02CP	100RC25P-BRP2	M83513/16-E01CT	100RC31P-BRT1
M83513/16-C03CP	100RC21P-BRP3	M83513/16-D02CT	100RC25P-BRT2	M83513/16-E01CW	100RC31P-BRPT1
M83513/16-C03CT	100RC21P-BRT3	M83513/16-D02CW	100RC25P-BRPT2	M83513/16-E01KN	100RK31P-BR1
M83513/16-C03CW	100RC21P-BRPT3	M83513/16-D02KN	100RK25P-BR2	M83513/16-E01KP	100RK31P-BRP1
M83513/16-C03KN	100RK21P-BR3	M83513/16-D02KP	100RK25P-BRP2	M83513/16-E01KT	100RK31P-BRT1
M83513/16-C03KP	100RK21P-BRP3	M83513/16-D02KT	100RK25P-BRT2	M83513/16-E01KW	100RK31P-BRPT1
M83513/16-C03KT	100RK21P-BRT3	M83513/16-D02KW	100RK25P-BRPT2	M83513/16-E01NN	100RN31P-BR1
M83513/16-C03KW	100RK21P-BRPT3	M83513/16-D02NN	100RN25P-BR2	M83513/16-E01NP	100RN31P-BRP1
M83513/16-C03NN	100RN21P-BR3	M83513/16-D02NP	100RN25P-BRP2	M83513/16-E01NT	100RN31P-BRT1
M83513/16-C03NP	100RN21P-BRP3	M83513/16-D02NT	100RN25P-BRT2	M83513/16-E01NW	100RN31P-BRPT1

PART NUMBER CROSS REFERENCE

Mil-Spec	Amphenol	Mil-Spec	Amphenol	Mil-Spec	Amphenol
M83513/16-E01PN	104R31P-BR1	M83513/16-E03PP	104R31P-BRP3	M83513/16-F02PT	104R37P-BRT2
M83513/16-E01PP	104R31P-BRP1	M83513/16-E03PT	104R31P-BRT3	M83513/16-F02PW	104R37P-BRPT2
M83513/16-E01PT	104R31P-BRT1	M83513/16-E03PW	104R31P-BRPT3	M83513/16-F02TP	100RT37P-BRP2
M83513/16-E01PW	104R31P-BRPT1	M83513/16-E03TP	100RT31P-BRP3	M83513/16-F02TN	100RT37P-BR2
M83513/16-E01TP	100RT31P-BRP1	M83513/16-E03TN	100RT31P-BR3	M83513/16-F02TT	100RT37P-BRT2
M83513/16-E01TN	100RT31P-BR1	M83513/16-E03TT	100RT31P-BRT3	M83513/16-F02TW	100RT37P-BRPT2
M83513/16-E01TT	100RT31P-BRT1	M83513/16-E03TW	100RT31P-BRPT3	M83513/16-F03AP	100RL37P-BRP3
M83513/16-E01TW	100RT31P-BRPT1	M83513/16-F01AP	100RL37P-BRP1	M83513/16-F03AN	100RL37P-BR3
M83513/16-E02AP	100RL31P-BRP2	M83513/16-F01AN	100RL37P-BR1	M83513/16-F03AT	100RL37P-BRT3
M83513/16-E02AN	100RL31P-BR2	M83513/16-F01AT	100RL37P-BRT1	M83513/16-F03AW	100RL37P-BRPT3
M83513/16-E02AT	100RL31P-BRT2	M83513/16-F01AW	100RL37P-BRPT1	M83513/16-F03CN	100RC37P-BR3
M83513/16-E02AW	100RL31P-BRPT2	M83513/16-F01CN	100RC37P-BR1	M83513/16-F03CP	100RC37P-BRP3
M83513/16-E02CN	100RC31P-BR2	M83513/16-F01CP	100RC37P-BRP1	M83513/16-F03CT	100RC37P-BRT3
M83513/16-E02CP	100RC31P-BRP2	M83513/16-F01CT	100RC37P-BRT1	M83513/16-F03CW	100RC37P-BRPT3
M83513/16-E02CT	100RC31P-BRT2	M83513/16-F01CW	100RC37P-BRPT1	M83513/16-F03KN	100RK37P-BR3
M83513/16-E02CW	100RC31P-BRPT2	M83513/16-F01KN	100RK37P-BR1	M83513/16-F03KP	100RK37P-BRP3
M83513/16-E02KN	100RK31P-BR2	M83513/16-F01KP	100RK37P-BRP1	M83513/16-F03KT	100RK37P-BRT3
M83513/16-E02KP	100RK31P-BRP2	M83513/16-F01KT	100RK37P-BRT1	M83513/16-F03KW	100RK37P-BRPT3
M83513/16-E02KT	100RK31P-BRT2	M83513/16-F01KW	100RK37P-BRPT1	M83513/16-F03NN	100RN37P-BR3
M83513/16-E02KW	100RK31P-BRPT2	M83513/16-F01NN	100RN37P-BR1	M83513/16-F03NP	100RN37P-BRP3
M83513/16-E02NN	100RN31P-BR2	M83513/16-F01NP	100RN37P-BRP1	M83513/16-F03NT	100RN37P-BRT3
M83513/16-E02NP	100RN31P-BRP2	M83513/16-F01NT	100RN37P-BRT1	M83513/16-F03NW	100RN37P-BRPT3
M83513/16-E02NT	100RN31P-BRT2	M83513/16-F01NW	100RN37P-BRPT1	M83513/16-F03PN	104R37P-BR3
M83513/16-E02NW	100RN31P-BRPT2	M83513/16-F01PN	104R37P-BR1	M83513/16-F03PP	104R37P-BRP3
M83513/16-E02PN	104R31P-BR2	M83513/16-F01PP	104R37P-BRP1	M83513/16-F03PT	104R37P-BRT3
M83513/16-E02PP	104R31P-BRP2	M83513/16-F01PT	104R37P-BRT1	M83513/16-F03PW	104R37P-BRPT3
M83513/16-E02PT	104R31P-BRT2	M83513/16-F01PW	104R37P-BRPT1	M83513/16-F03TP	100RT37P-BRP3
M83513/16-E02PW	104R31P-BRPT2	M83513/16-F01TP	100RT37P-BRP1	M83513/16-F03TN	100RT37P-BR3
M83513/16-E02TP	100RT31P-BRP2	M83513/16-F01TN	100RT37P-BR1	M83513/16-F03TT	100RT37P-BRT3
M83513/16-E02TN	100RT31P-BR2	M83513/16-F01TT	100RT37P-BRT1	M83513/16-F03TW	100RT37P-BRPT3
M83513/16-E02TT	100RT31P-BRT2	M83513/16-F01TW	100RT37P-BRPT1	M83513/17-G01AP	100RL51P-BRP1
M83513/16-E02TW	100RT31P-BRPT2	M83513/16-F02AP	100RL37P-BRP2	M83513/17-G01AN	100RL51P-BR1
M83513/16-E03AP	100RL31P-BRP3	M83513/16-F02AN	100RL37P-BR2	M83513/17-G01AT	100RL51P-BRT1
M83513/16-E03AN	100RL31P-BR3	M83513/16-F02AT	100RL37P-BRT2	M83513/17-G01AW	100RL51P-BRPT1
M83513/16-E03AT	100RL31P-BRT3	M83513/16-F02AW	100RL37P-BRPT2	M83513/17-G01CN	100RC51P-BR1
M83513/16-E03AW	100RL31P-BRPT3	M83513/16-F02CN	100RC37P-BR2	M83513/17-G01CP	100RC51P-BRP1
M83513/16-E03CN	100RC31P-BR3	M83513/16-F02CP	100RC37P-BRP2	M83513/17-G01CT	100RC51P-BRT1
M83513/16-E03CP	100RC31P-BRP3	M83513/16-F02CT	100RC37P-BRT2	M83513/17-G01CW	100RC51P-BRPT1
M83513/16-E03CT	100RC31P-BRT3	M83513/16-F02CW	100RC37P-BRPT2	M83513/17-G01KN	100RK51P-BR1
M83513/16-E03CW	100RC31P-BRPT3	M83513/16-F02KN	100RK37P-BR2	M83513/17-G01KP	100RK51P-BRP1
M83513/16-E03KN	100RK31P-BR3	M83513/16-F02KP	100RK37P-BRP2	M83513/17-G01KT	100RK51P-BRT1
M83513/16-E03KP	100RK31P-BRP3	M83513/16-F02KT	100RK37P-BRT2	M83513/17-G01KW	100RK51P-BRPT1
M83513/16-E03KT	100RK31P-BRT3	M83513/16-F02KW	100RK37P-BRPT2	M83513/17-G01NN	100RN51P-BR1
M83513/16-E03KW	100RK31P-BRPT3	M83513/16-F02NN	100RN37P-BR2	M83513/17-G01NP	100RN51P-BRP1
M83513/16-E03NN	100RN31P-BR3	M83513/16-F02NP	100RN37P-BRP2	M83513/17-G01NT	100RN51P-BRT1
M83513/16-E03NP	100RN31P-BRP3	M83513/16-F02NT	100RN37P-BRT2	M83513/17-G01NW	100RN51P-BRPT1
M83513/16-E03NT	100RN31P-BRT3	M83513/16-F02NW	100RN37P-BRPT2	M83513/17-G01PN	104R51P-BR1
M83513/16-E03NW	100RN31P-BRPT3	M83513/16-F02PN	104R37P-BR2	M83513/17-G01PP	104R51P-BRP1
M83513/16-E03PN	104R31P-BR3	M83513/16-F02PP	104R37P-BRP2	M83513/17-G01PT	104R51P-BRT1

PART NUMBER CROSS REFERENCE

MICRO-D

Mil-Spec	Amphenol
M83513/17-G01PW	104R51P-BRPT1
M83513/17-G01TP	100RT51P-BRP1
M83513/17-G01TN	100RT51P-BR1
M83513/17-G01TT	100RT51P-BRT1
M83513/17-G01TW	100RT51P-BRPT1
M83513/17-G02AP	100RL51P-BRP2
M83513/17-G02AN	100RL51P-BR2
M83513/17-G02AT	100RL51P-BRT2
M83513/17-G02AW	100RL51P-BRPT2
M83513/17-G02CN	100RC51P-BR2
M83513/17-G02CP	100RC51P-BRP2
M83513/17-G02CT	100RC51P-BRT2
M83513/17-G02CW	100RC51P-BRPT2
M83513/17-G02KN	100RK51P-BR2
M83513/17-G02KP	100RK51P-BRP2
M83513/17-G02KT	100RK51P-BRT2
M83513/17-G02KW	100RK51P-BRPT2
M83513/17-G02NN	100RN51P-BR2
M83513/17-G02NP	100RN51P-BRP2
M83513/17-G02NT	100RN51P-BRT2
M83513/17-G02NW	100RN51P-BRPT2
M83513/17-G02PN	104R51P-BR2
M83513/17-G02PP	104R51P-BRP2
M83513/17-G02PT	104R51P-BRT2
M83513/17-G02PW	104R51P-BRPT2
M83513/17-G02TP	100RT51P-BRP2
M83513/17-G02TN	100RT51P-BR2
M83513/17-G02TT	100RT51P-BRT2
M83513/17-G02TW	100RT51P-BRPT2
M83513/17-G03AP	100RL51P-BRP3
M83513/17-G03AN	100RL51P-BR3
M83513/17-G03AT	100RL51P-BRT3
M83513/17-G03AW	100RL51P-BRPT3
M83513/17-G03CN	100RC51P-BR3
M83513/17-G03CP	100RC51P-BRP3
M83513/17-G03CT	100RC51P-BRT3
M83513/17-G03CW	100RC51P-BRPT3
M83513/17-G03KN	100RK51P-BR3
M83513/17-G03KP	100RK51P-BRP3
M83513/17-G03KT	100RK51P-BRT3
M83513/17-G03KW	100RK51P-BRPT3
M83513/17-G03NN	100RN51P-BR3
M83513/17-G03NP	100RN51P-BRP3
M83513/17-G03NT	100RN51P-BRT3
M83513/17-G03NW	100RN51P-BRPT3
M83513/17-G03PN	104R51P-BR3
M83513/17-G03PP	104R51P-BRP3
M83513/17-G03PT	104R51P-BRT3
M83513/17-G03PW	104R51P-BRPT3

Mil-Spec	Amphenol
M83513/17-G03TP	100RT51P-BRP3
M83513/17-G03TN	100RT51P-BR3
M83513/17-G03TT	100RT51P-BRT3
M83513/17-G03TW	100RT51P-BRPT3
M83513/18-H01AP	100RL100P-BRP1
M83513/18-H01AN	100RL100P-BR1
M83513/18-H01AU	100RL100P-BRU1
M83513/18-H01AY	100RL100P-BRPU1
M83513/18-H01CN	100RC100P-BR1
M83513/18-H01CP	100RC100P-BRP1
M83513/18-H01CU	100RC100P-BRU1
M83513/18-H01CY	100RC100P-BRPU1
M83513/18-H01KN	100RK100P-BR1
M83513/18-H01KP	100RK100P-BRP1
M83513/18-H01KU	100RK100P-BRU1
M83513/18-H01KY	100RK100P-BRPU1
M83513/18-H01NN	100RN100P-BR1
M83513/18-H01NP	100RN100P-BRP1
M83513/18-H01NU	100RN100P-BRU1
M83513/18-H01NY	100RN100P-BRPU1
M83513/18-H01PN	104R100P-BR1
M83513/18-H01PP	104R100P-BRP1
M83513/18-H01PU	104R100P-BRU1
M83513/18-H01PY	104R100P-BRPU1
M83513/18-H01TP	100RT100P-BRP1
M83513/18-H01TN	100RT100P-BR1
M83513/18-H01TU	100RT100P-BRU1
M83513/18-H01TY	100RT100P-BRPU1
M83513/18-H02AP	100RL100P-BRP2
M83513/18-H02AN	100RL100P-BR2
M83513/18-H02AU	100RL100P-BRU2
M83513/18-H02AY	100RL100P-BRPU2
M83513/18-H02CN	100RC100P-BR2
M83513/18-H02CP	100RC100P-BRP2
M83513/18-H02CU	100RC100P-BRU2
M83513/18-H02CY	100RC100P-BRPU2
M83513/18-H02KN	100RK100P-BR2
M83513/18-H02KP	100RK100P-BRP2
M83513/18-H02KU	100RK100P-BRU2
M83513/18-H02KY	100RK100P-BRPU2
M83513/18-H02NN	100RN100P-BR2
M83513/18-H02NP	100RN100P-BRP2
M83513/18-H02NU	100RN100P-BRU2
M83513/18-H02NY	100RN100P-BRPU2
M83513/18-H02PN	104R100P-BR2
M83513/18-H02PP	104R100P-BRP2
M83513/18-H02PU	104R100P-BRU2
M83513/18-H02PY	104R100P-BRPU2
M83513/18-H02TP	100RT100P-BRP2

Mil-Spec	Amphenol
M83513/18-H02TN	100RT100P-BR2
M83513/18-H02TU	100RT100P-BRU2
M83513/18-H02TY	100RT100P-BRPU2
M83513/18-H03AP	100RL100P-BRP3
M83513/18-H03AN	100RL100P-BR3
M83513/18-H03AU	100RL100P-BRU3
M83513/18-H03AY	100RL100P-BRPU3
M83513/18-H03CN	100RC100P-BR3
M83513/18-H03CP	100RC100P-BRP3
M83513/18-H03CU	100RC100P-BRU3
M83513/18-H03CY	100RC100P-BRPU3
M83513/18-H03KN	100RK100P-BR3
M83513/18-H03KP	100RK100P-BRP3
M83513/18-H03KU	100RK100P-BRU3
M83513/18-H03KY	100RK100P-BRPU3
M83513/18-H03NN	100RN100P-BR3
M83513/18-H03NP	100RN100P-BRP3
M83513/18-H03NU	100RN100P-BRU3
M83513/18-H03NY	100RN100P-BRPU3
M83513/18-H03PN	104R100P-BR3
M83513/18-H03PP	104R100P-BRP3
M83513/18-H03PU	104R100P-BRU3
M83513/18-H03PY	104R100P-BRPU3
M83513/18-H03TP	100RT100P-BRP3
M83513/18-H03TN	100RT100P-BR3
M83513/18-H03TU	100RT100P-BRU3
M83513/18-H03TY	100RT100P-BRPU3
M83513/19-A01AP	100RL09S-BRP1
M83513/19-A01AN	100RL09S-BR1
M83513/19-A01AT	100RL09S-BRT1
M83513/19-A01AW	100RL09S-BRPT1
M83513/19-A01CN	100RC09S-BR1
M83513/19-A01CP	100RC09S-BRP1
M83513/19-A01CT	100RC09S-BRT1
M83513/19-A01CW	100RC09S-BRPT1
M83513/19-A01KN	100RK09S-BR1
M83513/19-A01KP	100RK09S-BRP1
M83513/19-A01KT	100RK09S-BRT1
M83513/19-A01KW	100RK09S-BRPT1
M83513/19-A01NN	100RN09S-BR1
M83513/19-A01NP	100RN09S-BRP1
M83513/19-A01NT	100RN09S-BRT1
M83513/19-A01NW	100RN09S-BRPT1
M83513/19-A01PN	104R09S-BR1
M83513/19-A01PP	104R09S-BRP1
M83513/19-A01PT	104R09S-BRT1
M83513/19-A01PW	104R09S-BRPT1
M83513/19-A01TP	100RT09S-BRP1
M83513/19-A01TN	100RT09S-BR1

PART NUMBER CROSS REFERENCE

Mil-Spec	Amphenol	Mil-Spec	Amphenol	Mil-Spec	Amphenol
M83513/19-A01TT	100RT09S-BRT1	M83513/19-A03TW	100RT09S-BRPT3	M83513/19-B03AP	100RL15S-BRP3
M83513/19-A01TW	100RT09S-BRPT1	M83513/19-B01AP	100RL15S-BRP1	M83513/19-B03AN	100RL15S-BR3
M83513/19-A02AP	100RL09S-BRP2	M83513/19-B01AN	100RL15S-BR1	M83513/19-B03AT	100RL15S-BRT3
M83513/19-A02AN	100RL09S-BR2	M83513/19-B01AT	100RL15S-BRT1	M83513/19-B03AW	100RL15S-BRPT3
M83513/19-A02AT	100RL09S-BRT2	M83513/19-B01AW	100RL15S-BRPT1	M83513/19-B03CN	100RC15S-BR3
M83513/19-A02AW	100RL09S-BRPT2	M83513/19-B01CN	100RC15S-BR1	M83513/19-B03CP	100RC15S-BRP3
M83513/19-A02CN	100RC09S-BR2	M83513/19-B01CP	100RC15S-BRP1	M83513/19-B03CT	100RC15S-BRT3
M83513/19-A02CP	100RC09S-BRP2	M83513/19-B01CT	100RC15S-BRT1	M83513/19-B03CW	100RC15S-BRPT3
M83513/19-A02CT	100RC09S-BRT2	M83513/19-B01CW	100RC15S-BRPT1	M83513/19-B03KN	100RK15S-BR3
M83513/19-A02CW	100RC09S-BRPT2	M83513/19-B01KN	100RK15S-BR1	M83513/19-B03KP	100RK15S-BRP3
M83513/19-A02KN	100RK09S-BR2	M83513/19-B01KP	100RK15S-BRP1	M83513/19-B03KT	100RK15S-BRT3
M83513/19-A02KP	100RK09S-BRP2	M83513/19-B01KT	100RK15S-BRT1	M83513/19-B03KW	100RK15S-BRPT3
M83513/19-A02KT	100RK09S-BRT2	M83513/19-B01KW	100RK15S-BRPT1	M83513/19-B03NN	100RN15S-BR3
M83513/19-A02KW	100RK09S-BRPT2	M83513/19-B01NN	100RN15S-BR1	M83513/19-B03NP	100RN15S-BRP3
M83513/19-A02NN	100RN09S-BR2	M83513/19-B01NP	100RN15S-BRP1	M83513/19-B03NT	100RN15S-BRT3
M83513/19-A02NP	100RN09S-BRP2	M83513/19-B01NT	100RN15S-BRT1	M83513/19-B03NW	100RN15S-BRPT3
M83513/19-A02NT	100RN09S-BRT2	M83513/19-B01NW	100RN15S-BRPT1	M83513/19-B03PN	104R15S-BR3
M83513/19-A02NW	100RN09S-BRPT2	M83513/19-B01PN	104R15S-BR1	M83513/19-B03PP	104R15S-BRP3
M83513/19-A02PN	104R09S-BR2	M83513/19-B01PP	104R15S-BRP1	M83513/19-B03PT	104R15S-BRT3
M83513/19-A02PP	104R09S-BRP2	M83513/19-B01PT	104R15S-BRT1	M83513/19-B03PW	104R15S-BRPT3
M83513/19-A02PT	104R09S-BRT2	M83513/19-B01PW	104R15S-BRPT1	M83513/19-B03TP	100RT15S-BRP3
M83513/19-A02PW	104R09S-BRPT2	M83513/19-B01TP	100RT15S-BRP1	M83513/19-B03TN	100RT15S-BR3
M83513/19-A02TP	100RT09S-BRP2	M83513/19-B01TN	100RT15S-BR1	M83513/19-B03TT	100RT15S-BRT3
M83513/19-A02TN	100RT09S-BR2	M83513/19-B01TT	100RT15S-BRT1	M83513/19-B03TW	100RT15S-BRPT3
M83513/19-A02TT	100RT09S-BRT2	M83513/19-B01TW	100RT15S-BRPT1	M83513/19-C01AP	100RL21S-BRP1
M83513/19-A02TW	100RT09S-BRPT2	M83513/19-B02AP	100RL15S-BRP2	M83513/19-C01AN	100RL21S-BR1
M83513/19-A03AP	100RL09S-BRP3	M83513/19-B02AN	100RL15S-BR2	M83513/19-C01AT	100RL21S-BRT1
M83513/19-A03AN	100RL09S-BR3	M83513/19-B02AT	100RL15S-BRT2	M83513/19-C01AW	100RL21S-BRPT1
M83513/19-A03AT	100RL09S-BRT3	M83513/19-B02AW	100RL15S-BRPT2	M83513/19-C01CN	100RC21S-BR1
M83513/19-A03AW	100RL09S-BRPT3	M83513/19-B02CN	100RC15S-BR2	M83513/19-C01CP	100RC21S-BRP1
M83513/19-A03CN	100RC09S-BR3	M83513/19-B02CP	100RC15S-BRP2	M83513/19-C01CT	100RC21S-BRT1
M83513/19-A03CP	100RC09S-BRP3	M83513/19-B02CT	100RC15S-BRT2	M83513/19-C01CW	100RC21S-BRPT1
M83513/19-A03CT	100RC09S-BRT3	M83513/19-B02CW	100RC15S-BRPT2	M83513/19-C01KN	100RK21S-BR1
M83513/19-A03CW	100RC09S-BRPT3	M83513/19-B02KN	100RK15S-BR2	M83513/19-C01KP	100RK21S-BRP1
M83513/19-A03KN	100RK09S-BR3	M83513/19-B02KP	100RK15S-BRP2	M83513/19-C01KT	100RK21S-BRT1
M83513/19-A03KP	100RK09S-BRP3	M83513/19-B02KT	100RK15S-BRT2	M83513/19-C01KW	100RK21S-BRPT1
M83513/19-A03KT	100RK09S-BRT3	M83513/19-B02KW	100RK15S-BRPT2	M83513/19-C01NN	100RN21S-BR1
M83513/19-A03KW	100RK09S-BRPT3	M83513/19-B02NN	100RN15S-BR2	M83513/19-C01NP	100RN21S-BRP1
M83513/19-A03NN	100RN09S-BR3	M83513/19-B02NP	100RN15S-BRP2	M83513/19-C01NT	100RN21S-BRT1
M83513/19-A03NP	100RN09S-BRP3	M83513/19-B02NT	100RN15S-BRT2	M83513/19-C01NW	100RN21S-BRPT1
M83513/19-A03NT	100RN09S-BRT3	M83513/19-B02NW	100RN15S-BRPT2	M83513/19-C01PN	104R21S-BR1
M83513/19-A03NW	100RN09S-BRPT3	M83513/19-B02PN	104R15S-BR2	M83513/19-C01PP	104R21S-BRP1
M83513/19-A03PN	104R09S-BR3	M83513/19-B02PP	104R15S-BRP2	M83513/19-C01PT	104R21S-BRT1
M83513/19-A03PP	104R09S-BRP3	M83513/19-B02PT	104R15S-BRT2	M83513/19-C01PW	104R21S-BRPT1
M83513/19-A03PT	104R09S-BRT3	M83513/19-B02PW	104R15S-BRPT2	M83513/19-C01TP	100RT21S-BRP1
M83513/19-A03PW	104R09S-BRPT3	M83513/19-B02TP	100RT15S-BRP2	M83513/19-C01TN	100RT21S-BR1
M83513/19-A03TP	100RT09S-BRP3	M83513/19-B02TN	100RT15S-BR2	M83513/19-C01TT	100RT21S-BRT1
M83513/19-A03TN	100RT09S-BR3	M83513/19-B02TT	100RT15S-BRT2	M83513/19-C01TW	100RT21S-BRPT1
M83513/19-A03TT	100RT09S-BRT3	M83513/19-B02TW	100RT15S-BRPT2	M83513/19-C02AP	100RL21S-BRP2

PART NUMBER CROSS REFERENCE

MICRO-D

Mil-Spec	Amphenol	Mil-Spec	Amphenol	Mil-Spec	Amphenol
M83513/19-C02AN	100RL21S-BR2	M83513/19-D01AT	100RL25S-BRT1	M83513/19-D03AW	100RL25S-BRPT3
M83513/19-C02AT	100RL21S-BRT2	M83513/19-D01AW	100RL25S-BRPT1	M83513/19-D03CN	100RC25S-BR3
M83513/19-C02AW	100RL21S-BRPT2	M83513/19-D01CN	100RC25S-BR1	M83513/19-D03CP	100RC25S-BRP3
M83513/19-C02CN	100RC21S-BR2	M83513/19-D01CP	100RC25S-BRP1	M83513/19-D03CT	100RC25S-BRT3
M83513/19-C02CP	100RC21S-BRP2	M83513/19-D01CT	100RC25S-BRT1	M83513/19-D03CW	100RC25S-BRPT3
M83513/19-C02CT	100RC21S-BRT2	M83513/19-D01CW	100RC25S-BRPT1	M83513/19-D03KN	100RK25S-BR3
M83513/19-C02CW	100RC21S-BRPT2	M83513/19-D01KN	100RK25S-BR1	M83513/19-D03KP	100RK25S-BRP3
M83513/19-C02KN	100RK21S-BR2	M83513/19-D01KP	100RK25S-BRP1	M83513/19-D03KT	100RK25S-BRT3
M83513/19-C02KP	100RK21S-BRP2	M83513/19-D01KT	100RK25S-BRT1	M83513/19-D03KW	100RK25S-BRPT3
M83513/19-C02KT	100RK21S-BRT2	M83513/19-D01KW	100RK25S-BRPT1	M83513/19-D03NN	100RN25S-BR3
M83513/19-C02KW	100RK21S-BRPT2	M83513/19-D01NN	100RN25S-BR1	M83513/19-D03NP	100RN25S-BRP3
M83513/19-C02NN	100RN21S-BR2	M83513/19-D01NP	100RN25S-BRP1	M83513/19-D03NT	100RN25S-BRT3
M83513/19-C02NP	100RN21S-BRP2	M83513/19-D01NT	100RN25S-BRT1	M83513/19-D03NW	100RN25S-BRPT3
M83513/19-C02NT	100RN21S-BRT2	M83513/19-D01NW	100RN25S-BRPT1	M83513/19-D03PN	104R25S-BR3
M83513/19-C02NW	100RN21S-BRPT2	M83513/19-D01PN	104R25S-BR1	M83513/19-D03PP	104R25S-BRP3
M83513/19-C02PN	104R21S-BR2	M83513/19-D01PP	104R25S-BRP1	M83513/19-D03PT	104R25S-BRT3
M83513/19-C02PP	104R21S-BRP2	M83513/19-D01PT	104R25S-BRT1	M83513/19-D03PW	104R25S-BRPT3
M83513/19-C02PT	104R21S-BRT2	M83513/19-D01PW	104R25S-BRPT1	M83513/19-D03TP	100RT25S-BRP3
M83513/19-C02PW	104R21S-BRPT2	M83513/19-D01TP	100RT25S-BRP1	M83513/19-D03TN	100RT25S-BR3
M83513/19-C02TP	100RT21S-BRP2	M83513/19-D01TN	100RT25S-BR1	M83513/19-D03TT	100RT25S-BRT3
M83513/19-C02TN	100RT21S-BR2	M83513/19-D01TT	100RT25S-BRT1	M83513/19-D03TW	100RT25S-BRPT3
M83513/19-C02TT	100RT21S-BRT2	M83513/19-D01TW	100RT25S-BRPT1	M83513/19-E01AP	100RL31S-BRP1
M83513/19-C02TW	100RT21S-BRPT2	M83513/19-D02AP	100RL25S-BRP2	M83513/19-E01AN	100RL31S-BR1
M83513/19-C03AP	100RL21S-BRP3	M83513/19-D02AN	100RL25S-BR2	M83513/19-E01AT	100RL31S-BRT1
M83513/19-C03AN	100RL21S-BR3	M83513/19-D02AT	100RL25S-BRT2	M83513/19-E01AW	100RL31S-BRPT1
M83513/19-C03AT	100RL21S-BRT3	M83513/19-D02AW	100RL25S-BRPT2	M83513/19-E01CN	100RC31S-BR1
M83513/19-C03AW	100RL21S-BRPT3	M83513/19-D02CN	100RC25S-BR2	M83513/19-E01CP	100RC31S-BRP1
M83513/19-C03CN	100RC21S-BR3	M83513/19-D02CP	100RC25S-BRP2	M83513/19-E01CT	100RC31S-BRT1
M83513/19-C03CP	100RC21S-BRP3	M83513/19-D02CT	100RC25S-BRT2	M83513/19-E01CW	100RC31S-BRPT1
M83513/19-C03CT	100RC21S-BRT3	M83513/19-D02CW	100RC25S-BRPT2	M83513/19-E01KN	100RK31S-BR1
M83513/19-C03CW	100RC21S-BRPT3	M83513/19-D02KN	100RK25S-BR2	M83513/19-E01KP	100RK31S-BRP1
M83513/19-C03KN	100RK21S-BR3	M83513/19-D02KP	100RK25S-BRP2	M83513/19-E01KT	100RK31S-BRT1
M83513/19-C03KP	100RK21S-BRP3	M83513/19-D02KT	100RK25S-BRT2	M83513/19-E01KW	100RK31S-BRPT1
M83513/19-C03KT	100RK21S-BRT3	M83513/19-D02KW	100RK25S-BRPT2	M83513/19-E01NN	100RN31S-BR1
M83513/19-C03KW	100RK21S-BRPT3	M83513/19-D02NN	100RN25S-BR2	M83513/19-E01NP	100RN31S-BRP1
M83513/19-C03NN	100RN21S-BR3	M83513/19-D02NP	100RN25S-BRP2	M83513/19-E01NT	100RN31S-BRT1
M83513/19-C03NP	100RN21S-BRP3	M83513/19-D02NT	100RN25S-BRT2	M83513/19-E01NW	100RN31S-BRPT1
M83513/19-C03NT	100RN21S-BRT3	M83513/19-D02NW	100RN25S-BRPT2	M83513/19-E01PN	104R31S-BR1
M83513/19-C03NW	100RN21S-BRPT3	M83513/19-D02PN	104R25S-BR2	M83513/19-E01PP	104R31S-BRP1
M83513/19-C03PN	104R21S-BR3	M83513/19-D02PP	104R25S-BRP2	M83513/19-E01PT	104R31S-BRT1
M83513/19-C03PP	104R21S-BRP3	M83513/19-D02PT	104R25S-BRT2	M83513/19-E01PW	104R31S-BRPT1
M83513/19-C03PT	104R21S-BRT3	M83513/19-D02PW	104R25S-BRPT2	M83513/19-E01TP	100RT31S-BRP1
M83513/19-C03PW	104R21S-BRPT3	M83513/19-D02TP	100RT25S-BRP2	M83513/19-E01TN	100RT31S-BR1
M83513/19-C03TP	100RT21S-BRP3	M83513/19-D02TN	100RT25S-BR2	M83513/19-E01TT	100RT31S-BRT1
M83513/19-C03TN	100RT21S-BR3	M83513/19-D02TT	100RT25S-BRT2	M83513/19-E01TW	100RT31S-BRPT1
M83513/19-C03TT	100RT21S-BRT3	M83513/19-D02TW	100RT25S-BRPT2	M83513/19-E02AP	100RL31S-BRP2
M83513/19-C03TW	100RT21S-BRPT3	M83513/19-D03AP	100RL25S-BRP3	M83513/19-E02AN	100RL31S-BR2
M83513/19-D01AP	100RL25S-BRP1	M83513/19-D03AN	100RL25S-BR3	M83513/19-E02AT	100RL31S-BRT2
M83513/19-D01AN	100RL25S-BR1	M83513/19-D03AT	100RL25S-BRT3	M83513/19-E02AW	100RL31S-BRPT2

PART NUMBER CROSS REFERENCE

Mil-Spec	Amphenol	Mil-Spec	Amphenol	Mil-Spec	Amphenol
M83513/19-E02CN	100RC31S-BR2	M83513/19-F01CP	100RC37S-BRP1	M83513/19-F03CT	100RC37S-BRT3
M83513/19-E02CP	100RC31S-BRP2	M83513/19-F01CT	100RC37S-BRT1	M83513/19-F03CW	100RC37S-BRPT3
M83513/19-E02CT	100RC31S-BRT2	M83513/19-F01CW	100RC37S-BRPT1	M83513/19-F03KN	100RK37S-BR3
M83513/19-E02CW	100RC31S-BRPT2	M83513/19-F01KN	100RK37S-BR1	M83513/19-F03KP	100RK37S-BRP3
M83513/19-E02KN	100RK31S-BR2	M83513/19-F01KP	100RK37S-BRP1	M83513/19-F03KT	100RK37S-BRT3
M83513/19-E02KP	100RK31S-BRP2	M83513/19-F01KT	100RK37S-BRT1	M83513/19-F03KW	100RK37S-BRPT3
M83513/19-E02KT	100RK31S-BRT2	M83513/19-F01KW	100RK37S-BRPT1	M83513/19-F03NN	100RN37S-BR3
M83513/19-E02KW	100RK31S-BRPT2	M83513/19-F01NN	100RN37S-BR1	M83513/19-F03NP	100RN37S-BRP3
M83513/19-E02NN	100RN31S-BR2	M83513/19-F01NP	100RN37S-BRP1	M83513/19-F03NT	100RN37S-BRT3
M83513/19-E02NP	100RN31S-BRP2	M83513/19-F01NT	100RN37S-BRT1	M83513/19-F03NW	100RN37S-BRPT3
M83513/19-E02NT	100RN31S-BRT2	M83513/19-F01NW	100RN37S-BRPT1	M83513/19-F03PN	104R37S-BR3
M83513/19-E02NW	100RN31S-BRPT2	M83513/19-F01PN	104R37S-BR1	M83513/19-F03PP	104R37S-BRP3
M83513/19-E02PN	104R31S-BR2	M83513/19-F01PP	104R37S-BRP1	M83513/19-F03PT	104R37S-BRT3
M83513/19-E02PP	104R31S-BRP2	M83513/19-F01PT	104R37S-BRT1	M83513/19-F03PW	104R37S-BRPT3
M83513/19-E02PT	104R31S-BRT2	M83513/19-F01PW	104R37S-BRPT1	M83513/19-F03TP	100RT37S-BRP3
M83513/19-E02PW	104R31S-BRPT2	M83513/19-F01TP	100RT37S-BRP1	M83513/19-F03TN	100RT37S-BR3
M83513/19-E02TP	100RT31S-BRP2	M83513/19-F01TN	100RT37S-BR1	M83513/19-F03TT	100RT37S-BRT3
M83513/19-E02TN	100RT31S-BR2	M83513/19-F01TT	100RT37S-BRT1	M83513/19-F03TW	100RT37S-BRPT3
M83513/19-E02TT	100RT31S-BRT2	M83513/19-F01TW	100RT37S-BRPT1	M83513/20-G01AP	100RL51S-BRP1
M83513/19-E02TW	100RT31S-BRPT2	M83513/19-F02AP	100RL37S-BRP2	M83513/20-G01AN	100RL51S-BR1
M83513/19-E03AP	100RL31S-BRP3	M83513/19-F02AN	100RL37S-BR2	M83513/20-G01AT	100RL51S-BRT1
M83513/19-E03AN	100RL31S-BR3	M83513/19-F02AT	100RL37S-BRT2	M83513/20-G01AW	100RL51S-BRPT1
M83513/19-E03AT	100RL31S-BRT3	M83513/19-F02AW	100RL37S-BRPT2	M83513/20-G01CN	100RC51S-BR1
M83513/19-E03AW	100RL31S-BRPT3	M83513/19-F02CN	100RC37S-BR2	M83513/20-G01CP	100RC51S-BRP1
M83513/19-E03CN	100RC31S-BR3	M83513/19-F02CP	100RC37S-BRP2	M83513/20-G01CT	100RC51S-BRT1
M83513/19-E03CP	100RC31S-BRP3	M83513/19-F02CT	100RC37S-BRT2	M83513/20-G01CW	100RC51S-BRPT1
M83513/19-E03CT	100RC31S-BRT3	M83513/19-F02CW	100RC37S-BRPT2	M83513/20-G01KN	100RK51S-BR1
M83513/19-E03CW	100RC31S-BRPT3	M83513/19-F02KN	100RK37S-BR2	M83513/20-G01KP	100RK51S-BRP1
M83513/19-E03KN	100RK31S-BR3	M83513/19-F02KP	100RK37S-BRP2	M83513/20-G01KT	100RK51S-BRT1
M83513/19-E03KP	100RK31S-BRP3	M83513/19-F02KT	100RK37S-BRT2	M83513/20-G01KW	100RK51S-BRPT1
M83513/19-E03KT	100RK31S-BRT3	M83513/19-F02KW	100RK37S-BRPT2	M83513/20-G01NN	100RN51S-BR1
M83513/19-E03KW	100RK31S-BRPT3	M83513/19-F02NN	100RN37S-BR2	M83513/20-G01NP	100RN51S-BRP1
M83513/19-E03NN	100RN31S-BR3	M83513/19-F02NP	100RN37S-BRP2	M83513/20-G01NT	100RN51S-BRT1
M83513/19-E03NP	100RN31S-BRP3	M83513/19-F02NT	100RN37S-BRT2	M83513/20-G01NW	100RN51S-BRPT1
M83513/19-E03NT	100RN31S-BRT3	M83513/19-F02NW	100RN37S-BRPT2	M83513/20-G01PN	104R51S-BR1
M83513/19-E03NW	100RN31S-BRPT3	M83513/19-F02PN	104R37S-BR2	M83513/20-G01PP	104R51S-BRP1
M83513/19-E03PN	104R31S-BR3	M83513/19-F02PP	104R37S-BRP2	M83513/20-G01PT	104R51S-BRT1
M83513/19-E03PP	104R31S-BRP3	M83513/19-F02PT	104R37S-BRT2	M83513/20-G01PW	104R51S-BRPT1
M83513/19-E03PT	104R31S-BRT3	M83513/19-F02PW	104R37S-BRPT2	M83513/20-G01TP	100RT51S-BRP1
M83513/19-E03PW	104R31S-BRPT3	M83513/19-F02TP	100RT37S-BRP2	M83513/20-G01TN	100RT51S-BR1
M83513/19-E03TP	100RT31S-BRP3	M83513/19-F02TN	100RT37S-BR2	M83513/20-G01TT	100RT51S-BRT1
M83513/19-E03TN	100RT31S-BR3	M83513/19-F02TT	100RT37S-BRT2	M83513/20-G01TW	100RT51S-BRPT1
M83513/19-E03TT	100RT31S-BRT3	M83513/19-F02TW	100RT37S-BRPT2	M83513/20-G02AP	100RL51S-BRP2
M83513/19-E03TW	100RT31S-BRPT3	M83513/19-F03AP	100RL37S-BRP3	M83513/20-G02AN	100RL51S-BR2
M83513/19-F01AP	100RL37S-BRP1	M83513/19-F03AN	100RL37S-BR3	M83513/20-G02AT	100RL51S-BRT2
M83513/19-F01AN	100RL37S-BR1	M83513/19-F03AT	100RL37S-BRT3	M83513/20-G02AW	100RL51S-BRPT2
M83513/19-F01AT	100RL37S-BRT1	M83513/19-F03AW	100RL37S-BRPT3	M83513/20-G02CN	100RC51S-BR2
M83513/19-F01AW	100RL37S-BRPT1	M83513/19-F03CN	100RC37S-BR3	M83513/20-G02CP	100RC51S-BRP2
M83513/19-F01CN	100RC37S-BR1	M83513/19-F03CP	100RC37S-BRP3	M83513/20-G02CT	100RC51S-BRT2

PART NUMBER CROSS REFERENCE

Mil-Spec	Amphenol	Mil-Spec	Amphenol	Mil-Spec	Amphenol
M83513/20-G02CW	100RC51S-BRPT2	M83513/21-H01KN	100RK100S-BR1	M83513/21-H03KP	100RK100S-BRP3
M83513/20-G02KN	100RK51S-BR2	M83513/21-H01KP	100RK100S-BRP1	M83513/21-H03KU	100RK100S-BRU3
M83513/20-G02KP	100RK51S-BRP2	M83513/21-H01KU	100RK100S-BRU1	M83513/21-H03KY	100RK100S-BRPU3
M83513/20-G02KT	100RK51S-BRT2	M83513/21-H01KY	100RK100S-BRPU1	M83513/21-H03NN	100RN100S-BR3
M83513/20-G02KW	100RK51S-BRPT2	M83513/21-H01NN	100RN100S-BR1	M83513/21-H03NP	100RN100S-BRP3
M83513/20-G02NN	100RN51S-BR2	M83513/21-H01NP	100RN100S-BRP1	M83513/21-H03NU	100RN100S-BRU3
M83513/20-G02NP	100RN51S-BRP2	M83513/21-H01NU	100RN100S-BRU1	M83513/21-H03NY	100RN100S-BRPU3
M83513/20-G02NT	100RN51S-BRT2	M83513/21-H01NY	100RN100S-BRPU1	M83513/21-H03PN	104R100S-BR3
M83513/20-G02NW	100RN51S-BRPT2	M83513/21-H01PN	104R100S-BR1	M83513/21-H03PP	104R100S-BRP3
M83513/20-G02PN	104R51S-BR2	M83513/21-H01PP	104R100S-BRP1	M83513/21-H03PU	104R100S-BRU3
M83513/20-G02PP	104R51S-BRP2	M83513/21-H01PU	104R100S-BRU1	M83513/21-H03PY	104R100S-BRPU3
M83513/20-G02PT	104R51S-BRT2	M83513/21-H01PY	104R100S-BRPU1	M83513/21-H03TP	100RT100S-BRP3
M83513/20-G02PW	104R51S-BRPT2	M83513/21-H01TP	100RT100S-BRP1	M83513/21-H03TN	100RT100S-BR3
M83513/20-G02TP	100RT51S-BRP2	M83513/21-H01TN	100RT100S-BR1	M83513/21-H03TU	100RT100S-BRU3
M83513/20-G02TN	100RT51S-BR2	M83513/21-H01TU	100RT100S-BRU1	M83513/21-H03TY	100RT100S-BRPU3
M83513/20-G02TT	100RT51S-BRT2	M83513/21-H01TY	100RT100S-BRPU1	M83513/22-A01AP	100RL09P-BSP1
M83513/20-G02TW	100RT51S-BRPT2	M83513/21-H02AP	100RL100S-BRP2	M83513/22-A01AN	100RL09P-BS1
M83513/20-G03AP	100RL51S-BRP3	M83513/21-H02AN	100RL100S-BR2	M83513/22-A01AT	100RL09P-BST1
M83513/20-G03AN	100RL51S-BR3	M83513/21-H02AU	100RL100S-BRU2	M83513/22-A01AW	100RL09P-BSPT1
M83513/20-G03AT	100RL51S-BRT3	M83513/21-H02AY	100RL100S-BRPU2	M83513/22-A01CN	100RC09P-BS1
M83513/20-G03AW	100RL51S-BRPT3	M83513/21-H02CN	100RC100S-BR2	M83513/22-A01CP	100RC09P-BSP1
M83513/20-G03CN	100RC51S-BR3	M83513/21-H02CP	100RC100S-BRP2	M83513/22-A01CT	100RC09P-BST1
M83513/20-G03CP	100RC51S-BRP3	M83513/21-H02CU	100RC100S-BRU2	M83513/22-A01CW	100RC09P-BSPT1
M83513/20-G03CT	100RC51S-BRT3	M83513/21-H02CY	100RC100S-BRPU2	M83513/22-A01KN	100RK09P-BS1
M83513/20-G03CW	100RC51S-BRPT3	M83513/21-H02KN	100RK100S-BR2	M83513/22-A01KP	100RK09P-BSP1
M83513/20-G03KN	100RK51S-BR3	M83513/21-H02KP	100RK100S-BRP2	M83513/22-A01KT	100RK09P-BST1
M83513/20-G03KP	100RK51S-BRP3	M83513/21-H02KU	100RK100S-BRU2	M83513/22-A01KW	100RK09P-BSPT1
M83513/20-G03KT	100RK51S-BRT3	M83513/21-H02KY	100RK100S-BRPU2	M83513/22-A01NN	100RN09P-BS1
M83513/20-G03KW	100RK51S-BRPT3	M83513/21-H02NN	100RN100S-BR2	M83513/22-A01NP	100RN09P-BSP1
M83513/20-G03NN	100RN51S-BR3	M83513/21-H02NP	100RN100S-BRP2	M83513/22-A01NT	100RN09P-BST1
M83513/20-G03NP	100RN51S-BRP3	M83513/21-H02NU	100RN100S-BRU2	M83513/22-A01NW	100RN09P-BSPT1
M83513/20-G03NT	100RN51S-BRT3	M83513/21-H02NY	100RN100S-BRPU2	M83513/22-A01PN	104R09P-BS1
M83513/20-G03NW	100RN51S-BRPT3	M83513/21-H02PN	104R100S-BR2	M83513/22-A01PP	104R09P-BSP1
M83513/20-G03PN	104R51S-BR3	M83513/21-H02PP	104R100S-BRP2	M83513/22-A01PT	104R09P-BST1
M83513/20-G03PP	104R51S-BRP3	M83513/21-H02PU	104R100S-BRU2	M83513/22-A01PW	104R09P-BSPT1
M83513/20-G03PT	104R51S-BRT3	M83513/21-H02PY	104R100S-BRPU2	M83513/22-A01TP	100RT09P-BSP1
M83513/20-G03PW	104R51S-BRPT3	M83513/21-H02TP	100RT100S-BRP2	M83513/22-A01TN	100RT09P-BS1
M83513/20-G03TP	100RT51S-BRP3	M83513/21-H02TN	100RT100S-BR2	M83513/22-A01TT	100RT09P-BST1
M83513/20-G03TN	100RT51S-BR3	M83513/21-H02TU	100RT100S-BRU2	M83513/22-A01TW	100RT09P-BSPT1
M83513/20-G03TT	100RT51S-BRT3	M83513/21-H02TY	100RT100S-BRPU2	M83513/22-A02AP	100RL09P-BSP2
M83513/20-G03TW	100RT51S-BRPT3	M83513/21-H03AP	100RL100S-BRP3	M83513/22-A02AN	100RL09P-BS2
M83513/21-H01AP	100RL100S-BRP1	M83513/21-H03AN	100RL100S-BR3	M83513/22-A02AT	100RL09P-BST2
M83513/21-H01AN	100RL100S-BR1	M83513/21-H03AU	100RL100S-BRU3	M83513/22-A02AW	100RL09P-BSPT2
M83513/21-H01AU	100RL100S-BRU1	M83513/21-H03AY	100RL100S-BRPU3	M83513/22-A02CN	100RC09P-BS2
M83513/21-H01AY	100RL100S-BRPU1	M83513/21-H03CN	100RC100S-BR3	M83513/22-A02CP	100RC09P-BSP2
M83513/21-H01CN	100RC100S-BR1	M83513/21-H03CP	100RC100S-BRP3	M83513/22-A02CT	100RC09P-BST2
M83513/21-H01CP	100RC100S-BRP1	M83513/21-H03CU	100RC100S-BRU3	M83513/22-A02CW	100RC09P-BSPT2
M83513/21-H01CU	100RC100S-BRU1	M83513/21-H03CY	100RC100S-BRPU3	M83513/22-A02KN	100RK09P-BS2
M83513/21-H01CY	100RC100S-BRPU1	M83513/21-H03KN	100RK100S-BR3	M83513/22-A02KP	100RK09P-BSP2

MICRO-D

Mil-Spec	Amphenol	Mil-Spec	Amphenol	Mil-Spec	Amphenol
M83513/22-A02KT	100RK09P-BST2	M83513/22-B01KW	100RK15P-BSPT1	M83513/22-B03NN	100RN15P-BS3
M83513/22-A02KW	100RK09P-BSPT2	M83513/22-B01NN	100RN15P-BS1	M83513/22-B03NP	100RN15P-BSP3
M83513/22-A02NN	100RN09P-BS2	M83513/22-B01NP	100RN15P-BSP1	M83513/22-B03NT	100RN15P-BST3
M83513/22-A02NP	100RN09P-BSP2	M83513/22-B01NT	100RN15P-BST1	M83513/22-B03NW	100RN15P-BSPT3
M83513/22-A02NT	100RN09P-BST2	M83513/22-B01NW	100RN15P-BSPT1	M83513/22-B03PN	104R15P-BS3
M83513/22-A02NW	100RN09P-BSPT2	M83513/22-B01PN	104R15P-BS1	M83513/22-B03PP	104R15P-BSP3
M83513/22-A02PN	104R09P-BS2	M83513/22-B01PP	104R15P-BSP1	M83513/22-B03PT	104R15P-BST3
M83513/22-A02PP	104R09P-BSP2	M83513/22-B01PT	104R15P-BST1	M83513/22-B03PW	104R15P-BSPT3
M83513/22-A02PT	104R09P-BST2	M83513/22-B01PW	104R15P-BSPT1	M83513/22-B03TP	100RT15P-BSP3
M83513/22-A02PW	104R09P-BSPT2	M83513/22-B01TP	100RT15P-BSP1	M83513/22-B03TN	100RT15P-BS3
M83513/22-A02TP	100RT09P-BSP2	M83513/22-B01TN	100RT15P-BS1	M83513/22-B03TT	100RT15P-BST3
M83513/22-A02TN	100RT09P-BS2	M83513/22-B01TT	100RT15P-BST1	M83513/22-B03TW	100RT15P-BSPT3
M83513/22-A02TT	100RT09P-BST2	M83513/22-B01TW	100RT15P-BSPT1	M83513/22-C01AP	100RL21P-BSP1
M83513/22-A02TW	100RT09P-BSPT2	M83513/22-B02AP	100RL15P-BSP2	M83513/22-C01AN	100RL21P-BS1
M83513/22-A03AP	100RL09P-BSP3	M83513/22-B02AN	100RL15P-BS2	M83513/22-C01AT	100RL21P-BST1
M83513/22-A03AN	100RL09P-BS3	M83513/22-B02AT	100RL15P-BST2	M83513/22-C01AW	100RL21P-BSPT1
M83513/22-A03AT	100RL09P-BST3	M83513/22-B02AW	100RL15P-BSPT2	M83513/22-C01CN	100RC21P-BS1
M83513/22-A03AW	100RL09P-BSPT3	M83513/22-B02CN	100RC15P-BS2	M83513/22-C01CP	100RC21P-BSP1
M83513/22-A03CN	100RC09P-BS3	M83513/22-B02CP	100RC15P-BSP2	M83513/22-C01CT	100RC21P-BST1
M83513/22-A03CP	100RC09P-BSP3	M83513/22-B02CT	100RC15P-BST2	M83513/22-C01CW	100RC21P-BSPT1
M83513/22-A03CT	100RC09P-BST3	M83513/22-B02CW	100RC15P-BSPT2	M83513/22-C01KN	100RK21P-BS1
M83513/22-A03CW	100RC09P-BSPT3	M83513/22-B02KN	100RK15P-BS2	M83513/22-C01KP	100RK21P-BSP1
M83513/22-A03KN	100RK09P-BS3	M83513/22-B02KP	100RK15P-BSP2	M83513/22-C01KT	100RK21P-BST1
M83513/22-A03KP	100RK09P-BSP3	M83513/22-B02KT	100RK15P-BST2	M83513/22-C01KW	100RK21P-BSPT1
M83513/22-A03KT	100RK09P-BST3	M83513/22-B02KW	100RK15P-BSPT2	M83513/22-C01NN	100RN21P-BS1
M83513/22-A03KW	100RK09P-BSPT3	M83513/22-B02NN	100RN15P-BS2	M83513/22-C01NP	100RN21P-BSP1
M83513/22-A03NN	100RN09P-BS3	M83513/22-B02NP	100RN15P-BSP2	M83513/22-C01NT	100RN21P-BST1
M83513/22-A03NP	100RN09P-BSP3	M83513/22-B02NT	100RN15P-BST2	M83513/22-C01NW	100RN21P-BSPT1
M83513/22-A03NT	100RN09P-BST3	M83513/22-B02NW	100RN15P-BSPT2	M83513/22-C01PN	104R21P-BS1
M83513/22-A03NW	100RN09P-BSPT3	M83513/22-B02PN	104R15P-BS2	M83513/22-C01PP	104R21P-BSP1
M83513/22-A03PN	104R09P-BS3	M83513/22-B02PP	104R15P-BSP2	M83513/22-C01PT	104R21P-BST1
M83513/22-A03PP	104R09P-BSP3	M83513/22-B02PT	104R15P-BST2	M83513/22-C01PW	104R21P-BSPT1
M83513/22-A03PT	104R09P-BST3	M83513/22-B02PW	104R15P-BSPT2	M83513/22-C01TP	100RT21P-BSP1
M83513/22-A03PW	104R09P-BSPT3	M83513/22-B02TP	100RT15P-BSP2	M83513/22-C01TN	100RT21P-BS1
M83513/22-A03TP	100RT09P-BSP3	M83513/22-B02TN	100RT15P-BS2	M83513/22-C01TT	100RT21P-BST1
M83513/22-A03TN	100RT09P-BS3	M83513/22-B02TT	100RT15P-BST2	M83513/22-C01TW	100RT21P-BSPT1
M83513/22-A03TT	100RT09P-BST3	M83513/22-B02TW	100RT15P-BSPT2	M83513/22-C02AP	100RL21P-BSP2
M83513/22-A03TW	100RT09P-BSPT3	M83513/22-B03AP	100RL15P-BSP3	M83513/22-C02AN	100RL21P-BS2
M83513/22-B01AP	100RL15P-BSP1	M83513/22-B03AN	100RL15P-BS3	M83513/22-C02AT	100RL21P-BST2
M83513/22-B01AN	100RL15P-BS1	M83513/22-B03AT	100RL15P-BST3	M83513/22-C02AW	100RL21P-BSPT2
M83513/22-B01AT	100RL15P-BST1	M83513/22-B03AW	100RL15P-BSPT3	M83513/22-C02CN	100RC21P-BS2
M83513/22-B01AW	100RL15P-BSPT1	M83513/22-B03CN	100RC15P-BS3	M83513/22-C02CP	100RC21P-BSP2
M83513/22-B01CN	100RC15P-BS1	M83513/22-B03CP	100RC15P-BSP3	M83513/22-C02CT	100RC21P-BST2
M83513/22-B01CP	100RC15P-BSP1	M83513/22-B03CT	100RC15P-BST3	M83513/22-C02CW	100RC21P-BSPT2
M83513/22-B01CT	100RC15P-BST1	M83513/22-B03CW	100RC15P-BSPT3	M83513/22-C02KN	100RK21P-BS2
M83513/22-B01CW	100RC15P-BSPT1	M83513/22-B03KN	100RK15P-BS3	M83513/22-C02KP	100RK21P-BSP2
M83513/22-B01KN	100RK15P-BS1	M83513/22-B03KP	100RK15P-BSP3	M83513/22-C02KT	100RK21P-BST2
M83513/22-B01KP	100RK15P-BSP1	M83513/22-B03KT	100RK15P-BST3	M83513/22-C02KW	100RK21P-BSPT2
M83513/22-B01KT	100RK15P-BST1	M83513/22-B03KW	100RK15P-BSPT3	M83513/22-C02NN	100RN21P-BS2

PART NUMBER CROSS REFERENCE

MICRO-D

Mil-Spec	Amphenol
M83513/22-C02NP	100RN21P-BSP2
M83513/22-C02NT	100RN21P-BST2
M83513/22-C02NW	100RN21P-BSPT2
M83513/22-C02PN	104R21P-BS2
M83513/22-C02PP	104R21P-BSP2
M83513/22-C02PT	104R21P-BST2
M83513/22-C02PW	104R21P-BSPT2
M83513/22-C02TP	100RT21P-BSP2
M83513/22-C02TN	100RT21P-BS2
M83513/22-C02TT	100RT21P-BST2
M83513/22-C02TW	100RT21P-BSPT2
M83513/22-C03AP	100RL21P-BSP3
M83513/22-C03AN	100RL21P-BS3
M83513/22-C03AT	100RL21P-BST3
M83513/22-C03AW	100RL21P-BSPT3
M83513/22-C03CN	100RC21P-BS3
M83513/22-C03CP	100RC21P-BSP3
M83513/22-C03CT	100RC21P-BST3
M83513/22-C03CW	100RC21P-BSPT3
M83513/22-C03KN	100RK21P-BS3
M83513/22-C03KP	100RK21P-BSP3
M83513/22-C03KT	100RK21P-BST3
M83513/22-C03KW	100RK21P-BSPT3
M83513/22-C03NN	100RN21P-BS3
M83513/22-C03NP	100RN21P-BSP3
M83513/22-C03NT	100RN21P-BST3
M83513/22-C03NW	100RN21P-BSPT3
M83513/22-C03PN	104R21P-BS3
M83513/22-C03PP	104R21P-BSP3
M83513/22-C03PT	104R21P-BST3
M83513/22-C03PW	104R21P-BSPT3
M83513/22-C03TP	100RT21P-BSP3
M83513/22-C03TN	100RT21P-BS3
M83513/22-C03TT	100RT21P-BST3
M83513/22-C03TW	100RT21P-BSPT3
M83513/22-D01AP	100RL25P-BSP1
M83513/22-D01AN	100RL25P-BS1
M83513/22-D01AT	100RL25P-BST1
M83513/22-D01AW	100RL25P-BSPT1
M83513/22-D01CN	100RC25P-BS1
M83513/22-D01CP	100RC25P-BSP1
M83513/22-D01CT	100RC25P-BST1
M83513/22-D01CW	100RC25P-BSPT1
M83513/22-D01KN	100RK25P-BS1
M83513/22-D01KP	100RK25P-BSP1
M83513/22-D01KT	100RK25P-BST1
M83513/22-D01KW	100RK25P-BSPT1
M83513/22-D01NN	100RN25P-BS1
M83513/22-D01NP	100RN25P-BSP1

Mil-Spec	Amphenol
M83513/22-D01NT	100RN25P-BST1
M83513/22-D01NW	100RN25P-BSPT1
M83513/22-D01PN	104R25P-BS1
M83513/22-D01PP	104R25P-BSP1
M83513/22-D01PT	104R25P-BST1
M83513/22-D01PW	104R25P-BSPT1
M83513/22-D01TP	100RT25P-BSP1
M83513/22-D01TN	100RT25P-BS1
M83513/22-D01TT	100RT25P-BST1
M83513/22-D01TW	100RT25P-BSPT1
M83513/22-D02AP	100RL25P-BSP2
M83513/22-D02AN	100RL25P-BS2
M83513/22-D02AT	100RL25P-BST2
M83513/22-D02AW	100RL25P-BSPT2
M83513/22-D02CN	100RC25P-BS2
M83513/22-D02CP	100RC25P-BSP2
M83513/22-D02CT	100RC25P-BST2
M83513/22-D02CW	100RC25P-BSPT2
M83513/22-D02KN	100RK25P-BS2
M83513/22-D02KP	100RK25P-BSP2
M83513/22-D02KT	100RK25P-BST2
M83513/22-D02KW	100RK25P-BSPT2
M83513/22-D02NN	100RN25P-BS2
M83513/22-D02NP	100RN25P-BSP2
M83513/22-D02NT	100RN25P-BST2
M83513/22-D02NW	100RN25P-BSPT2
M83513/22-D02PN	104R25P-BS2
M83513/22-D02PP	104R25P-BSP2
M83513/22-D02PT	104R25P-BST2
M83513/22-D02PW	104R25P-BSPT2
M83513/22-D02TP	100RT25P-BSP2
M83513/22-D02TN	100RT25P-BS2
M83513/22-D02TT	100RT25P-BST2
M83513/22-D02TW	100RT25P-BSPT2
M83513/22-D03AP	100RL25P-BSP3
M83513/22-D03AN	100RL25P-BS3
M83513/22-D03AT	100RL25P-BST3
M83513/22-D03AW	100RL25P-BSPT3
M83513/22-D03CN	100RC25P-BS3
M83513/22-D03CP	100RC25P-BSP3
M83513/22-D03CT	100RC25P-BST3
M83513/22-D03CW	100RC25P-BSPT3
M83513/22-D03KN	100RK25P-BS3
M83513/22-D03KP	100RK25P-BSP3
M83513/22-D03KT	100RK25P-BST3
M83513/22-D03KW	100RK25P-BSPT3
M83513/22-D03NN	100RN25P-BS3
M83513/22-D03NP	100RN25P-BSP3
M83513/22-D03NT	100RN25P-BST3

Mil-Spec	Amphenol
M83513/22-D03NW	100RN25P-BSPT3
M83513/22-D03PN	104R25P-BS3
M83513/22-D03PP	104R25P-BSP3
M83513/22-D03PT	104R25P-BST3
M83513/22-D03PW	104R25P-BSPT3
M83513/22-D03TP	100RT25P-BSP3
M83513/22-D03TN	100RT25P-BS3
M83513/22-D03TT	100RT25P-BST3
M83513/22-D03TW	100RT25P-BSPT3
M83513/22-E01AP	100RL31P-BSP1
M83513/22-E01AN	100RL31P-BS1
M83513/22-E01AT	100RL31P-BST1
M83513/22-E01AW	100RL31P-BSPT1
M83513/22-E01CN	100RC31P-BS1
M83513/22-E01CP	100RC31P-BSP1
M83513/22-E01CT	100RC31P-BST1
M83513/22-E01CW	100RC31P-BSPT1
M83513/22-E01KN	100RK31P-BS1
M83513/22-E01KP	100RK31P-BSP1
M83513/22-E01KT	100RK31P-BST1
M83513/22-E01KW	100RK31P-BSPT1
M83513/22-E01NN	100RN31P-BS1
M83513/22-E01NP	100RN31P-BSP1
M83513/22-E01NT	100RN31P-BST1
M83513/22-E01NW	100RN31P-BSPT1
M83513/22-E01PN	104R31P-BS1
M83513/22-E01PP	104R31P-BSP1
M83513/22-E01PT	104R31P-BST1
M83513/22-E01PW	104R31P-BSPT1
M83513/22-E01TP	100RT31P-BSP1
M83513/22-E01TN	100RT31P-BS1
M83513/22-E01TT	100RT31P-BST1
M83513/22-E01TW	100RT31P-BSPT1
M83513/22-E02AP	100RL31P-BSP2
M83513/22-E02AN	100RL31P-BS2
M83513/22-E02AT	100RL31P-BST2
M83513/22-E02AW	100RL31P-BSPT2
M83513/22-E02CN	100RC31P-BS2
M83513/22-E02CP	100RC31P-BSP2
M83513/22-E02CT	100RC31P-BST2
M83513/22-E02CW	100RC31P-BSPT2
M83513/22-E02KN	100RK31P-BS2
M83513/22-E02KP	100RK31P-BSP2
M83513/22-E02KT	100RK31P-BST2
M83513/22-E02KW	100RK31P-BSPT2
M83513/22-E02NN	100RN31P-BS2
M83513/22-E02NP	100RN31P-BSP2
M83513/22-E02NT	100RN31P-BST2
M83513/22-E02NW	100RN31P-BSPT2

PART NUMBER CROSS REFERENCE

Mil-Spec	Amphenol	Mil-Spec	Amphenol	Mil-Spec	Amphenol
M83513/22-E02PN	104R31P-BS2	M83513/22-F01PP	104R37P-BSP1	M83513/22-F03PT	104R37P-BST3
M83513/22-E02PP	104R31P-BSP2	M83513/22-F01PT	104R37P-BST1	M83513/22-F03PW	104R37P-BSPT3
M83513/22-E02PT	104R31P-BST2	M83513/22-F01PW	104R37P-BSPT1	M83513/22-F03TP	100RT37P-BSP3
M83513/22-E02PW	104R31P-BSPT2	M83513/22-F01TP	100RT37P-BSP1	M83513/22-F03TN	100RT37P-BS3
M83513/22-E02TP	100RT31P-BSP2	M83513/22-F01TN	100RT37P-BS1	M83513/22-F03TT	100RT37P-BST3
M83513/22-E02TN	100RT31P-BS2	M83513/22-F01TT	100RT37P-BST1	M83513/22-F03TW	100RT37P-BSPT3
M83513/22-E02TT	100RT31P-BST2	M83513/22-F01TW	100RT37P-BSPT1	M83513/23-G01AP	100RL51P-BSP1
M83513/22-E02TW	100RT31P-BSPT2	M83513/22-F02AP	100RL37P-BSP2	M83513/23-G01AN	100RL51P-BS1
M83513/22-E03AP	100RL31P-BSP3	M83513/22-F02AN	100RL37P-BS2	M83513/23-G01AT	100RL51P-BST1
M83513/22-E03AN	100RL31P-BS3	M83513/22-F02AT	100RL37P-BST2	M83513/23-G01AW	100RL51P-BSPT1
M83513/22-E03AT	100RL31P-BST3	M83513/22-F02AW	100RL37P-BSPT2	M83513/23-G01CN	100RC51P-BS1
M83513/22-E03AW	100RL31P-BSPT3	M83513/22-F02CN	100RC37P-BS2	M83513/23-G01CP	100RC51P-BSP1
M83513/22-E03CN	100RC31P-BS3	M83513/22-F02CP	100RC37P-BSP2	M83513/23-G01CT	100RC51P-BST1
M83513/22-E03CP	100RC31P-BSP3	M83513/22-F02CT	100RC37P-BST2	M83513/23-G01CW	100RC51P-BSPT1
M83513/22-E03CT	100RC31P-BST3	M83513/22-F02CW	100RC37P-BSPT2	M83513/23-G01KN	100RK51P-BS1
M83513/22-E03CW	100RC31P-BSPT3	M83513/22-F02KN	100RK37P-BS2	M83513/23-G01KP	100RK51P-BSP1
M83513/22-E03KN	100RK31P-BS3	M83513/22-F02KP	100RK37P-BSP2	M83513/23-G01KT	100RK51P-BST1
M83513/22-E03KP	100RK31P-BSP3	M83513/22-F02KT	100RK37P-BST2	M83513/23-G01KW	100RK51P-BSPT1
M83513/22-E03KT	100RK31P-BST3	M83513/22-F02KW	100RK37P-BSPT2	M83513/23-G01NN	100RN51P-BS1
M83513/22-E03KW	100RK31P-BSPT3	M83513/22-F02NN	100RN37P-BS2	M83513/23-G01NP	100RN51P-BSP1
M83513/22-E03NN	100RN31P-BS3	M83513/22-F02NP	100RN37P-BSP2	M83513/23-G01NT	100RN51P-BST1
M83513/22-E03NP	100RN31P-BSP3	M83513/22-F02NT	100RN37P-BST2	M83513/23-G01NW	100RN51P-BSPT1
M83513/22-E03NT	100RN31P-BST3	M83513/22-F02NW	100RN37P-BSPT2	M83513/23-G01PN	104R51P-BS1
M83513/22-E03NW	100RN31P-BSPT3	M83513/22-F02PN	104R37P-BS2	M83513/23-G01PP	104R51P-BSP1
M83513/22-E03PN	104R31P-BS3	M83513/22-F02PP	104R37P-BSP2	M83513/23-G01PT	104R51P-BST1
M83513/22-E03PP	104R31P-BSP3	M83513/22-F02PT	104R37P-BST2	M83513/23-G01PW	104R51P-BSPT1
M83513/22-E03PT	104R31P-BST3	M83513/22-F02PW	104R37P-BSPT2	M83513/23-G01TP	100RT51P-BSP1
M83513/22-E03PW	104R31P-BSPT3	M83513/22-F02TP	100RT37P-BSP2	M83513/23-G01TN	100RT51P-BS1
M83513/22-E03TP	100RT31P-BSP3	M83513/22-F02TN	100RT37P-BS2	M83513/23-G01TT	100RT51P-BST1
M83513/22-E03TN	100RT31P-BS3	M83513/22-F02TT	100RT37P-BST2	M83513/23-G01TW	100RT51P-BSPT1
M83513/22-E03TT	100RT31P-BST3	M83513/22-F02TW	100RT37P-BSPT2	M83513/23-G02AP	100RL51P-BSP2
M83513/22-E03TW	100RT31P-BSPT3	M83513/22-F03AP	100RL37P-BSP3	M83513/23-G02AN	100RL51P-BS2
M83513/22-F01AP	100RL37P-BSP1	M83513/22-F03AN	100RL37P-BS3	M83513/23-G02AT	100RL51P-BST2
M83513/22-F01AN	100RL37P-BS1	M83513/22-F03AT	100RL37P-BST3	M83513/23-G02AW	100RL51P-BSPT2
M83513/22-F01AT	100RL37P-BST1	M83513/22-F03AW	100RL37P-BSPT3	M83513/23-G02CN	100RC51P-BS2
M83513/22-F01AW	100RL37P-BSPT1	M83513/22-F03CN	100RC37P-BS3	M83513/23-G02CP	100RC51P-BSP2
M83513/22-F01CN	100RC37P-BS1	M83513/22-F03CP	100RC37P-BSP3	M83513/23-G02CT	100RC51P-BST2
M83513/22-F01CP	100RC37P-BSP1	M83513/22-F03CT	100RC37P-BST3	M83513/23-G02CW	100RC51P-BSPT2
M83513/22-F01CT	100RC37P-BST1	M83513/22-F03CW	100RC37P-BSPT3	M83513/23-G02KN	100RK51P-BS2
M83513/22-F01CW	100RC37P-BSPT1	M83513/22-F03KN	100RK37P-BS3	M83513/23-G02KP	100RK51P-BSP2
M83513/22-F01KN	100RK37P-BS1	M83513/22-F03KP	100RK37P-BSP3	M83513/23-G02KT	100RK51P-BST2
M83513/22-F01KP	100RK37P-BSP1	M83513/22-F03KT	100RK37P-BST3	M83513/23-G02KW	100RK51P-BSPT2
M83513/22-F01KT	100RK37P-BST1	M83513/22-F03KW	100RK37P-BSPT3	M83513/23-G02NN	100RN51P-BS2
M83513/22-F01KW	100RK37P-BSPT1	M83513/22-F03NN	100RN37P-BS3	M83513/23-G02NP	100RN51P-BSP2
M83513/22-F01NN	100RN37P-BS1	M83513/22-F03NP	100RN37P-BSP3	M83513/23-G02NT	100RN51P-BST2
M83513/22-F01NP	100RN37P-BSP1	M83513/22-F03NT	100RN37P-BST3	M83513/23-G02NW	100RN51P-BSPT2
M83513/22-F01NT	100RN37P-BST1	M83513/22-F03NW	100RN37P-BSPT3	M83513/23-G02PN	104R51P-BS2
M83513/22-F01NW	100RN37P-BSPT1	M83513/22-F03PN	104R37P-BS3	M83513/23-G02PP	104R51P-BSP2
M83513/22-F01PN	104R37P-BS1	M83513/22-F03PP	104R37P-BSP3	M83513/23-G02PT	104R51P-BST2

PART NUMBER CROSS REFERENCE

MICRO-D

Mil-Spec	Amphenol
M83513/23-G02PW	104R51P-BSPT2
M83513/23-G02TP	100RT51P-BSP2
M83513/23-G02TN	100RT51P-BS2
M83513/23-G02TT	100RT51P-BST2
M83513/23-G02TW	100RT51P-BSPT2
M83513/23-G03AP	100RL51P-BSP3
M83513/23-G03AN	100RL51P-BS3
M83513/23-G03AT	100RL51P-BST3
M83513/23-G03AW	100RL51P-BSPT3
M83513/23-G03CN	100RC51P-BS3
M83513/23-G03CP	100RC51P-BSP3
M83513/23-G03CT	100RC51P-BST3
M83513/23-G03CW	100RC51P-BSPT3
M83513/23-G03KN	100RK51P-BS3
M83513/23-G03KP	100RK51P-BSP3
M83513/23-G03KT	100RK51P-BST3
M83513/23-G03KW	100RK51P-BSPT3
M83513/23-G03NN	100RN51P-BS3
M83513/23-G03NP	100RN51P-BSP3
M83513/23-G03NT	100RN51P-BST3
M83513/23-G03NW	100RN51P-BSPT3
M83513/23-G03PN	104R51P-BS3
M83513/23-G03PP	104R51P-BSP3
M83513/23-G03PT	104R51P-BST3
M83513/23-G03PW	104R51P-BSPT3
M83513/23-G03TP	100RT51P-BSP3
M83513/23-G03TN	100RT51P-BS3
M83513/23-G03TT	100RT51P-BST3
M83513/23-G03TW	100RT51P-BSPT3
M83513/24-H01AP	100RL100P-BSP1
M83513/24-H01AN	100RL100P-BS1
M83513/24-H01AU	100RL100P-BSU1
M83513/24-H01AY	100RL100P-BSPU1
M83513/24-H01CN	100RC100P-BS1
M83513/24-H01CP	100RC100P-BSP1
M83513/24-H01CU	100RC100P-BSU1
M83513/24-H01CY	100RC100P-BSPU1
M83513/24-H01KN	100RK100P-BS1
M83513/24-H01KP	100RK100P-BSP1
M83513/24-H01KU	100RK100P-BSU1
M83513/24-H01KY	100RK100P-BSPU1
M83513/24-H01NN	100RN100P-BS1
M83513/24-H01NP	100RN100P-BSP1
M83513/24-H01NU	100RN100P-BSU1
M83513/24-H01NY	100RN100P-BSPU1
M83513/24-H01PN	104R100P-BS1
M83513/24-H01PP	104R100P-BSP1
M83513/24-H01PU	104R100P-BSU1
M83513/24-H01PY	104R100P-BSPU1

Mil-Spec	Amphenol
M83513/24-H01TP	100RT100P-BSP1
M83513/24-H01TN	100RT100P-BS1
M83513/24-H01TU	100RT100P-BSU1
M83513/24-H01TY	100RT100P-BSPU1
M83513/24-H02AP	100RL100P-BSP2
M83513/24-H02AN	100RL100P-BS2
M83513/24-H02AU	100RL100P-BSU2
M83513/24-H02AY	100RL100P-BSPU2
M83513/24-H02CN	100RC100P-BS2
M83513/24-H02CP	100RC100P-BSP2
M83513/24-H02CU	100RC100P-BSU2
M83513/24-H02CY	100RC100P-BSPU2
M83513/24-H02KN	100RK100P-BS2
M83513/24-H02KP	100RK100P-BSP2
M83513/24-H02KU	100RK100P-BSU2
M83513/24-H02KY	100RK100P-BSPU2
M83513/24-H02NN	100RN100P-BS2
M83513/24-H02NP	100RN100P-BSP2
M83513/24-H02NU	100RN100P-BSU2
M83513/24-H02NY	100RN100P-BSPU2
M83513/24-H02PN	104R100P-BS2
M83513/24-H02PP	104R100P-BSP2
M83513/24-H02PU	104R100P-BSU2
M83513/24-H02PY	104R100P-BSPU2
M83513/24-H02TP	100RT100P-BSP2
M83513/24-H02TN	100RT100P-BS2
M83513/24-H02TU	100RT100P-BSU2
M83513/24-H02TY	100RT100P-BSPU2
M83513/24-H03AP	100RL100P-BSP3
M83513/24-H03AN	100RL100P-BS3
M83513/24-H03AU	100RL100P-BSU3
M83513/24-H03AY	100RL100P-BSPU3
M83513/24-H03CN	100RC100P-BS3
M83513/24-H03CP	100RC100P-BSP3
M83513/24-H03CU	100RC100P-BSU3
M83513/24-H03CY	100RC100P-BSPU3
M83513/24-H03KN	100RK100P-BS3
M83513/24-H03KP	100RK100P-BSP3
M83513/24-H03KU	100RK100P-BSU3
M83513/24-H03KY	100RK100P-BSPU3
M83513/24-H03NN	100RN100P-BS3
M83513/24-H03NP	100RN100P-BSP3
M83513/24-H03NU	100RN100P-BSU3
M83513/24-H03NY	100RN100P-BSPU3
M83513/24-H03PN	104R100P-BS3
M83513/24-H03PP	104R100P-BSP3
M83513/24-H03PU	104R100P-BSU3
M83513/24-H03PY	104R100P-BSPU3
M83513/24-H03TP	100RT100P-BSP3

Mil-Spec	Amphenol
M83513/24-H03TN	100RT100P-BS3
M83513/24-H03TU	100RT100P-BSU3
M83513/24-H03TY	100RT100P-BSPU3
M83513/25-A01AP	100RL09S-BSP1
M83513/25-A01AN	100RL09S-BS1
M83513/25-A01AT	100RL09S-BST1
M83513/25-A01AW	100RL09S-BSPT1
M83513/25-A01CN	100RC09S-BS1
M83513/25-A01CP	100RC09S-BSP1
M83513/25-A01CT	100RC09S-BST1
M83513/25-A01CW	100RC09S-BSPT1
M83513/25-A01KN	100RK09S-BS1
M83513/25-A01KP	100RK09S-BSP1
M83513/25-A01KT	100RK09S-BST1
M83513/25-A01KW	100RK09S-BSPT1
M83513/25-A01NN	100RN09S-BS1
M83513/25-A01NP	100RN09S-BSP1
M83513/25-A01NT	100RN09S-BST1
M83513/25-A01NW	100RN09S-BSPT1
M83513/25-A01PN	104R09S-BS1
M83513/25-A01PP	104R09S-BSP1
M83513/25-A01PT	104R09S-BST1
M83513/25-A01PW	104R09S-BSPT1
M83513/25-A01TP	100RT09S-BSP1
M83513/25-A01TN	100RT09S-BS1
M83513/25-A01TT	100RT09S-BST1
M83513/25-A01TW	100RT09S-BSPT1
M83513/25-A02AP	100RL09S-BSP2
M83513/25-A02AN	100RL09S-BS2
M83513/25-A02AT	100RL09S-BST2
M83513/25-A02AW	100RL09S-BSPT2
M83513/25-A02CN	100RC09S-BS2
M83513/25-A02CP	100RC09S-BSP2
M83513/25-A02CT	100RC09S-BST2
M83513/25-A02CW	100RC09S-BSPT2
M83513/25-A02KN	100RK09S-BS2
M83513/25-A02KP	100RK09S-BSP2
M83513/25-A02KT	100RK09S-BST2
M83513/25-A02KW	100RK09S-BSPT2
M83513/25-A02NN	100RN09S-BS2
M83513/25-A02NP	100RN09S-BSP2
M83513/25-A02NT	100RN09S-BST2
M83513/25-A02NW	100RN09S-BSPT2
M83513/25-A02PN	104R09S-BS2
M83513/25-A02PP	104R09S-BSP2
M83513/25-A02PT	104R09S-BST2
M83513/25-A02PW	104R09S-BSPT2
M83513/25-A02TP	100RT09S-BSP2
M83513/25-A02TN	100RT09S-BS2

PART NUMBER CROSS REFERENCE

Mil-Spec	Amphenol	Mil-Spec	Amphenol	Mil-Spec	Amphenol
M83513/25-A02TT	100RT09S-BST2	M83513/25-B01TW	100RT15S-BSPT1	M83513/25-C01AP	100RL21S-BSP1
M83513/25-A02TW	100RT09S-BSPT2	M83513/25-B02AP	100RL15S-BSP2	M83513/25-C01AN	100RL21S-BS1
M83513/25-A03AP	100RL09S-BSP3	M83513/25-B02AN	100RL15S-BS2	M83513/25-C01AT	100RL21S-BST1
M83513/25-A03AN	100RL09S-BS3	M83513/25-B02AT	100RL15S-BST2	M83513/25-C01AW	100RL21S-BSPT1
M83513/25-A03AT	100RL09S-BST3	M83513/25-B02AW	100RL15S-BSPT2	M83513/25-C01CN	100RC21S-BS1
M83513/25-A03AW	100RL09S-BSPT3	M83513/25-B02CN	100RC15S-BS2	M83513/25-C01CP	100RC21S-BSP1
M83513/25-A03CN	100RC09S-BS3	M83513/25-B02CP	100RC15S-BSP2	M83513/25-C01CT	100RC21S-BST1
M83513/25-A03CP	100RC09S-BSP3	M83513/25-B02CT	100RC15S-BST2	M83513/25-C01CW	100RC21S-BSPT1
M83513/25-A03CT	100RC09S-BST3	M83513/25-B02CW	100RC15S-BSPT2	M83513/25-C01KN	100RK21S-BS1
M83513/25-A03CW	100RC09S-BSPT3	M83513/25-B02KN	100RK15S-BS2	M83513/25-C01KP	100RK21S-BSP1
M83513/25-A03KN	100RK09S-BS3	M83513/25-B02KP	100RK15S-BSP2	M83513/25-C01KT	100RK21S-BST1
M83513/25-A03KP	100RK09S-BSP3	M83513/25-B02KT	100RK15S-BST2	M83513/25-C01KW	100RK21S-BSPT1
M83513/25-A03KT	100RK09S-BST3	M83513/25-B02KW	100RK15S-BSPT2	M83513/25-C01NN	100RN21S-BS1
M83513/25-A03KW	100RK09S-BSPT3	M83513/25-B02NN	100RN15S-BS2	M83513/25-C01NP	100RN21S-BSP1
M83513/25-A03NN	100RN09S-BS3	M83513/25-B02NP	100RN15S-BSP2	M83513/25-C01NT	100RN21S-BST1
M83513/25-A03NP	100RN09S-BSP3	M83513/25-B02NT	100RN15S-BST2	M83513/25-C01NW	100RN21S-BSPT1
M83513/25-A03NT	100RN09S-BST3	M83513/25-B02NW	100RN15S-BSPT2	M83513/25-C01PN	104R21S-BS1
M83513/25-A03NW	100RN09S-BSPT3	M83513/25-B02PN	104R15S-BS2	M83513/25-C01PP	104R21S-BSP1
M83513/25-A03PN	104R09S-BS3	M83513/25-B02PP	104R15S-BSP2	M83513/25-C01PT	104R21S-BST1
M83513/25-A03PP	104R09S-BSP3	M83513/25-B02PT	104R15S-BST2	M83513/25-C01PW	104R21S-BSPT1
M83513/25-A03PT	104R09S-BST3	M83513/25-B02PW	104R15S-BSPT2	M83513/25-C01TP	100RT21S-BSP1
M83513/25-A03PW	104R09S-BSPT3	M83513/25-B02TP	100RT15S-BSP2	M83513/25-C01TN	100RT21S-BS1
M83513/25-A03TP	100RT09S-BSP3	M83513/25-B02TN	100RT15S-BS2	M83513/25-C01TT	100RT21S-BST1
M83513/25-A03TN	100RT09S-BS3	M83513/25-B02TT	100RT15S-BST2	M83513/25-C01TW	100RT21S-BSPT1
M83513/25-A03TT	100RT09S-BST3	M83513/25-B02TW	100RT15S-BSPT2	M83513/25-C02AP	100RL21S-BSP2
M83513/25-A03TW	100RT09S-BSPT3	M83513/25-B03AP	100RL15S-BSP3	M83513/25-C02AN	100RL21S-BS2
M83513/25-B01AP	100RL15S-BSP1	M83513/25-B03AN	100RL15S-BS3	M83513/25-C02AT	100RL21S-BST2
M83513/25-B01AN	100RL15S-BS1	M83513/25-B03AT	100RL15S-BST3	M83513/25-C02AW	100RL21S-BSPT2
M83513/25-B01AT	100RL15S-BST1	M83513/25-B03AW	100RL15S-BSPT3	M83513/25-C02CN	100RC21S-BS2
M83513/25-B01AW	100RL15S-BSPT1	M83513/25-B03CN	100RC15S-BS3	M83513/25-C02CP	100RC21S-BSP2
M83513/25-B01CN	100RC15S-BS1	M83513/25-B03CP	100RC15S-BSP3	M83513/25-C02CT	100RC21S-BST2
M83513/25-B01CP	100RC15S-BSP1	M83513/25-B03CT	100RC15S-BST3	M83513/25-C02CW	100RC21S-BSPT2
M83513/25-B01CT	100RC15S-BST1	M83513/25-B03CW	100RC15S-BSPT3	M83513/25-C02KN	100RK21S-BS2
M83513/25-B01CW	100RC15S-BSPT1	M83513/25-B03KN	100RK15S-BS3	M83513/25-C02KP	100RK21S-BSP2
M83513/25-B01KN	100RK15S-BS1	M83513/25-B03KP	100RK15S-BSP3	M83513/25-C02KT	100RK21S-BST2
M83513/25-B01KP	100RK15S-BSP1	M83513/25-B03KT	100RK15S-BST3	M83513/25-C02KW	100RK21S-BSPT2
M83513/25-B01KT	100RK15S-BST1	M83513/25-B03KW	100RK15S-BSPT3	M83513/25-C02NN	100RN21S-BS2
M83513/25-B01KW	100RK15S-BSPT1	M83513/25-B03NN	100RN15S-BS3	M83513/25-C02NP	100RN21S-BSP2
M83513/25-B01NN	100RN15S-BS1	M83513/25-B03NP	100RN15S-BSP3	M83513/25-C02NT	100RN21S-BST2
M83513/25-B01NP	100RN15S-BSP1	M83513/25-B03NT	100RN15S-BST3	M83513/25-C02NW	100RN21S-BSPT2
M83513/25-B01NT	100RN15S-BST1	M83513/25-B03NW	100RN15S-BSPT3	M83513/25-C02PN	104R21S-BS2
M83513/25-B01NW	100RN15S-BSPT1	M83513/25-B03PN	104R15S-BS3	M83513/25-C02PP	104R21S-BSP2
M83513/25-B01PN	104R15S-BS1	M83513/25-B03PP	104R15S-BSP3	M83513/25-C02PT	104R21S-BST2
M83513/25-B01PP	104R15S-BSP1	M83513/25-B03PT	104R15S-BST3	M83513/25-C02PW	104R21S-BSPT2
M83513/25-B01PT	104R15S-BST1	M83513/25-B03PW	104R15S-BSPT3	M83513/25-C02TP	100RT21S-BSP2
M83513/25-B01PW	104R15S-BSPT1	M83513/25-B03TP	100RT15S-BSP3	M83513/25-C02TN	100RT21S-BS2
M83513/25-B01TP	100RT15S-BSP1	M83513/25-B03TN	100RT15S-BS3	M83513/25-C02TT	100RT21S-BST2
M83513/25-B01TN	100RT15S-BS1	M83513/25-B03TT	100RT15S-BST3	M83513/25-C02TW	100RT21S-BSPT2
M83513/25-B01TT	100RT15S-BST1	M83513/25-B03TW	100RT15S-BSPT3	M83513/25-C03AP	100RL21S-BSP3

PART NUMBER CROSS REFERENCE

Mil-Spec	Amphenol	Mil-Spec	Amphenol	Mil-Spec	Amphenol
M83513/25-C03AN	100RL21S-BS3	M83513/25-D02AT	100RL25S-BST2	M83513/25-E01AW	100RL31S-BSPT1
M83513/25-C03AT	100RL21S-BST3	M83513/25-D02AW	100RL25S-BSPT2	M83513/25-E01CN	100RC31S-BS1
M83513/25-C03AW	100RL21S-BSPT3	M83513/25-D02CN	100RC25S-BS2	M83513/25-E01CP	100RC31S-BSP1
M83513/25-C03CN	100RC21S-BS3	M83513/25-D02CP	100RC25S-BSP2	M83513/25-E01CT	100RC31S-BST1
M83513/25-C03CP	100RC21S-BSP3	M83513/25-D02CT	100RC25S-BST2	M83513/25-E01CW	100RC31S-BSPT1
M83513/25-C03CT	100RC21S-BST3	M83513/25-D02CW	100RC25S-BSPT2	M83513/25-E01KN	100RK31S-BS1
M83513/25-C03CW	100RC21S-BSPT3	M83513/25-D02KN	100RK25S-BS2	M83513/25-E01KP	100RK31S-BSP1
M83513/25-C03KN	100RK21S-BS3	M83513/25-D02KP	100RK25S-BSP2	M83513/25-E01KT	100RK31S-BST1
M83513/25-C03KP	100RK21S-BSP3	M83513/25-D02KT	100RK25S-BST2	M83513/25-E01KW	100RK31S-BSPT1
M83513/25-C03KT	100RK21S-BST3	M83513/25-D02KW	100RK25S-BSPT2	M83513/25-E01NN	100RN31S-BS1
M83513/25-C03KW	100RK21S-BSPT3	M83513/25-D02NN	100RN25S-BS2	M83513/25-E01NP	100RN31S-BSP1
M83513/25-C03NN	100RN21S-BS3	M83513/25-D02NP	100RN25S-BSP2	M83513/25-E01NT	100RN31S-BST1
M83513/25-C03NP	100RN21S-BSP3	M83513/25-D02NT	100RN25S-BST2	M83513/25-E01NW	100RN31S-BSPT1
M83513/25-C03NT	100RN21S-BST3	M83513/25-D02NW	100RN25S-BSPT2	M83513/25-E01PN	104R31S-BS1
M83513/25-C03NW	100RN21S-BSPT3	M83513/25-D02PN	104R25S-BS2	M83513/25-E01PP	104R31S-BSP1
M83513/25-C03PN	104R21S-BS3	M83513/25-D02PP	104R25S-BSP2	M83513/25-E01PT	104R31S-BST1
M83513/25-C03PP	104R21S-BSP3	M83513/25-D02PT	104R25S-BST2	M83513/25-E01PW	104R31S-BSPT1
M83513/25-C03PT	104R21S-BST3	M83513/25-D02PW	104R25S-BSPT2	M83513/25-E01TP	100RT31S-BSP1
M83513/25-C03PW	104R21S-BSPT3	M83513/25-D02TP	100RT25S-BSP2	M83513/25-E01TN	100RT31S-BS1
M83513/25-C03TP	100RT21S-BSP3	M83513/25-D02TN	100RT25S-BS2	M83513/25-E01TT	100RT31S-BST1
M83513/25-C03TN	100RT21S-BS3	M83513/25-D02TT	100RT25S-BST2	M83513/25-E01TW	100RT31S-BSPT1
M83513/25-C03TT	100RT21S-BST3	M83513/25-D02TW	100RT25S-BSPT2	M83513/25-E02AP	100RL31S-BSP2
M83513/25-C03TW	100RT21S-BSPT3	M83513/25-D03AP	100RL25S-BSP3	M83513/25-E02AN	100RL31S-BS2
M83513/25-D01AP	100RL25S-BSP1	M83513/25-D03AN	100RL25S-BS3	M83513/25-E02AT	100RL31S-BST2
M83513/25-D01AN	100RL25S-BS1	M83513/25-D03AT	100RL25S-BST3	M83513/25-E02AW	100RL31S-BSPT2
M83513/25-D01AT	100RL25S-BST1	M83513/25-D03AW	100RL25S-BSPT3	M83513/25-E02CN	100RC31S-BS2
M83513/25-D01AW	100RL25S-BSPT1	M83513/25-D03CN	100RC25S-BS3	M83513/25-E02CP	100RC31S-BSP2
M83513/25-D01CN	100RC25S-BS1	M83513/25-D03CP	100RC25S-BSP3	M83513/25-E02CT	100RC31S-BST2
M83513/25-D01CP	100RC25S-BSP1	M83513/25-D03CT	100RC25S-BST3	M83513/25-E02CW	100RC31S-BSPT2
M83513/25-D01CT	100RC25S-BST1	M83513/25-D03CW	100RC25S-BSPT3	M83513/25-E02KN	100RK31S-BS2
M83513/25-D01CW	100RC25S-BSPT1	M83513/25-D03KN	100RK25S-BS3	M83513/25-E02KP	100RK31S-BSP2
M83513/25-D01KN	100RK25S-BS1	M83513/25-D03KP	100RK25S-BSP3	M83513/25-E02KT	100RK31S-BST2
M83513/25-D01KP	100RK25S-BSP1	M83513/25-D03KT	100RK25S-BST3	M83513/25-E02KW	100RK31S-BSPT2
M83513/25-D01KT	100RK25S-BST1	M83513/25-D03KW	100RK25S-BSPT3	M83513/25-E02NN	100RN31S-BS2
M83513/25-D01KW	100RK25S-BSPT1	M83513/25-D03NN	100RN25S-BS3	M83513/25-E02NP	100RN31S-BSP2
M83513/25-D01NN	100RN25S-BS1	M83513/25-D03NP	100RN25S-BSP3	M83513/25-E02NT	100RN31S-BST2
M83513/25-D01NP	100RN25S-BSP1	M83513/25-D03NT	100RN25S-BST3	M83513/25-E02NW	100RN31S-BSPT2
M83513/25-D01NT	100RN25S-BST1	M83513/25-D03NW	100RN25S-BSPT3	M83513/25-E02PN	104R31S-BS2
M83513/25-D01NW	100RN25S-BSPT1	M83513/25-D03PN	104R25S-BS3	M83513/25-E02PP	104R31S-BSP2
M83513/25-D01PN	104R25S-BS1	M83513/25-D03PP	104R25S-BSP3	M83513/25-E02PT	104R31S-BST2
M83513/25-D01PP	104R25S-BSP1	M83513/25-D03PT	104R25S-BST3	M83513/25-E02PW	104R31S-BSPT2
M83513/25-D01PT	104R25S-BST1	M83513/25-D03PW	104R25S-BSPT3	M83513/25-E02TP	100RT31S-BSP2
M83513/25-D01PW	104R25S-BSPT1	M83513/25-D03TP	100RT25S-BSP3	M83513/25-E02TN	100RT31S-BS2
M83513/25-D01TP	100RT25S-BSP1	M83513/25-D03TN	100RT25S-BS3	M83513/25-E02TT	100RT31S-BST2
M83513/25-D01TN	100RT25S-BS1	M83513/25-D03TT	100RT25S-BST3	M83513/25-E02TW	100RT31S-BSPT2
M83513/25-D01TT	100RT25S-BST1	M83513/25-D03TW	100RT25S-BSPT3	M83513/25-E03AP	100RL31S-BSP3
M83513/25-D01TW	100RT25S-BSPT1	M83513/25-E01AP	100RL31S-BSP1	M83513/25-E03AN	100RL31S-BS3
M83513/25-D02AP	100RL25S-BSP2	M83513/25-E01AN	100RL31S-BS1	M83513/25-E03AT	100RL31S-BST3
M83513/25-D02AN	100RL25S-BS2	M83513/25-E01AT	100RL31S-BST1	M83513/25-E03AW	100RL31S-BSPT3

MICRO-D

Mil-Spec	Amphenol	Mil-Spec	Amphenol	Mil-Spec	Amphenol
M83513/25-E03CN	100RC31S-BS3	M83513/25-F02CP	100RC37S-BSP2	M83513/26-G01CT	100RC51S-BST1
M83513/25-E03CP	100RC31S-BSP3	M83513/25-F02CT	100RC37S-BST2	M83513/26-G01CW	100RC51S-BSPT1
M83513/25-E03CT	100RC31S-BST3	M83513/25-F02CW	100RC37S-BSPT2	M83513/26-G01KN	100RK51S-BS1
M83513/25-E03CW	100RC31S-BSPT3	M83513/25-F02KN	100RK37S-BS2	M83513/26-G01KP	100RK51S-BSP1
M83513/25-E03KN	100RK31S-BS3	M83513/25-F02KP	100RK37S-BSP2	M83513/26-G01KT	100RK51S-BST1
M83513/25-E03KP	100RK31S-BSP3	M83513/25-F02KT	100RK37S-BST2	M83513/26-G01KW	100RK51S-BSPT1
M83513/25-E03KT	100RK31S-BST3	M83513/25-F02KW	100RK37S-BSPT2	M83513/26-G01NN	100RN51S-BS1
M83513/25-E03KW	100RK31S-BSPT3	M83513/25-F02NN	100RN37S-BS2	M83513/26-G01NP	100RN51S-BSP1
M83513/25-E03NN	100RN31S-BS3	M83513/25-F02NP	100RN37S-BSP2	M83513/26-G01NT	100RN51S-BST1
M83513/25-E03NP	100RN31S-BSP3	M83513/25-F02NT	100RN37S-BST2	M83513/26-G01NW	100RN51S-BSPT1
M83513/25-E03NT	100RN31S-BST3	M83513/25-F02NW	100RN37S-BSPT2	M83513/26-G01PN	104R51S-BS1
M83513/25-E03NW	100RN31S-BSPT3	M83513/25-F02PN	104R37S-BS2	M83513/26-G01PP	104R51S-BSP1
M83513/25-E03PN	104R31S-BS3	M83513/25-F02PP	104R37S-BSP2	M83513/26-G01PT	104R51S-BST1
M83513/25-E03PP	104R31S-BSP3	M83513/25-F02PT	104R37S-BST2	M83513/26-G01PW	104R51S-BSPT1
M83513/25-E03PT	104R31S-BST3	M83513/25-F02PW	104R37S-BSPT2	M83513/26-G01TP	100RT51S-BSP1
M83513/25-E03PW	104R31S-BSPT3	M83513/25-F02TP	100RT37S-BSP2	M83513/26-G01TN	100RT51S-BS1
M83513/25-E03TP	100RT31S-BSP3	M83513/25-F02TN	100RT37S-BS2	M83513/26-G01TT	100RT51S-BST1
M83513/25-E03TN	100RT31S-BS3	M83513/25-F02TT	100RT37S-BST2	M83513/26-G01TW	100RT51S-BSPT1
M83513/25-E03TT	100RT31S-BST3	M83513/25-F02TW	100RT37S-BSPT2	M83513/26-G02AP	100RL51S-BSP2
M83513/25-E03TW	100RT31S-BSPT3	M83513/25-F03AP	100RL37S-BSP3	M83513/26-G02AN	100RL51S-BS2
M83513/25-F01AP	100RL37S-BSP1	M83513/25-F03AN	100RL37S-BS3	M83513/26-G02AT	100RL51S-BST2
M83513/25-F01AN	100RL37S-BS1	M83513/25-F03AT	100RL37S-BST3	M83513/26-G02AW	100RL51S-BSPT2
M83513/25-F01AT	100RL37S-BST1	M83513/25-F03AW	100RL37S-BSPT3	M83513/26-G02CN	100RC51S-BS2
M83513/25-F01AW	100RL37S-BSPT1	M83513/25-F03CN	100RC37S-BS3	M83513/26-G02CP	100RC51S-BSP2
M83513/25-F01CN	100RC37S-BS1	M83513/25-F03CP	100RC37S-BSP3	M83513/26-G02CT	100RC51S-BST2
M83513/25-F01CP	100RC37S-BSP1	M83513/25-F03CT	100RC37S-BST3	M83513/26-G02CW	100RC51S-BSPT2
M83513/25-F01CT	100RC37S-BST1	M83513/25-F03CW	100RC37S-BSPT3	M83513/26-G02KN	100RK51S-BS2
M83513/25-F01CW	100RC37S-BSPT1	M83513/25-F03KN	100RK37S-BS3	M83513/26-G02KP	100RK51S-BSP2
M83513/25-F01KN	100RK37S-BS1	M83513/25-F03KP	100RK37S-BSP3	M83513/26-G02KT	100RK51S-BST2
M83513/25-F01KP	100RK37S-BSP1	M83513/25-F03KT	100RK37S-BST3	M83513/26-G02KW	100RK51S-BSPT2
M83513/25-F01KT	100RK37S-BST1	M83513/25-F03KW	100RK37S-BSPT3	M83513/26-G02NN	100RN51S-BS2
M83513/25-F01KW	100RK37S-BSPT1	M83513/25-F03NN	100RN37S-BS3	M83513/26-G02NP	100RN51S-BSP2
M83513/25-F01NN	100RN37S-BS1	M83513/25-F03NP	100RN37S-BSP3	M83513/26-G02NT	100RN51S-BST2
M83513/25-F01NP	100RN37S-BSP1	M83513/25-F03NT	100RN37S-BST3	M83513/26-G02NW	100RN51S-BSPT2
M83513/25-F01NT	100RN37S-BST1	M83513/25-F03NW	100RN37S-BSPT3	M83513/26-G02PN	104R51S-BS2
M83513/25-F01NW	100RN37S-BSPT1	M83513/25-F03PN	104R37S-BS3	M83513/26-G02PP	104R51S-BSP2
M83513/25-F01PN	104R37S-BS1	M83513/25-F03PP	104R37S-BSP3	M83513/26-G02PT	104R51S-BST2
M83513/25-F01PP	104R37S-BSP1	M83513/25-F03PT	104R37S-BST3	M83513/26-G02PW	104R51S-BSPT2
M83513/25-F01PT	104R37S-BST1	M83513/25-F03PW	104R37S-BSPT3	M83513/26-G02TP	100RT51S-BSP2
M83513/25-F01PW	104R37S-BSPT1	M83513/25-F03TP	100RT37S-BSP3	M83513/26-G02TN	100RT51S-BS2
M83513/25-F01TP	100RT37S-BSP1	M83513/25-F03TN	100RT37S-BS3	M83513/26-G02TT	100RT51S-BST2
M83513/25-F01TN	100RT37S-BS1	M83513/25-F03TT	100RT37S-BST3	M83513/26-G02TW	100RT51S-BSPT2
M83513/25-F01TT	100RT37S-BST1	M83513/25-F03TW	100RT37S-BSPT3	M83513/26-G03AP	100RL51S-BSP3
M83513/25-F01TW	100RT37S-BSPT1	M83513/26-G01AP	100RL51S-BSP1	M83513/26-G03AN	100RL51S-BS3
M83513/25-F02AP	100RL37S-BSP2	M83513/26-G01AN	100RL51S-BS1	M83513/26-G03AT	100RL51S-BST3
M83513/25-F02AN	100RL37S-BS2	M83513/26-G01AT	100RL51S-BST1	M83513/26-G03AW	100RL51S-BSPT3
M83513/25-F02AT	100RL37S-BST2	M83513/26-G01AW	100RL51S-BSPT1	M83513/26-G03CN	100RC51S-BS3
M83513/25-F02AW	100RL37S-BSPT2	M83513/26-G01CN	100RC51S-BS1	M83513/26-G03CP	100RC51S-BSP3
M83513/25-F02CN	100RC37S-BS2	M83513/26-G01CP	100RC51S-BSP1	M83513/26-G03CT	100RC51S-BST3

PART NUMBER CROSS REFERENCE

MICRO-D

Mil-Spec	Amphenol
M83513/26-G03CW	100RC51S-BSPT3
M83513/26-G03KN	100RK51S-BS3
M83513/26-G03KP	100RK51S-BSP3
M83513/26-G03KT	100RK51S-BST3
M83513/26-G03KW	100RK51S-BSPT3
M83513/26-G03NN	100RN51S-BS3
M83513/26-G03NP	100RN51S-BSP3
M83513/26-G03NT	100RN51S-BST3
M83513/26-G03NW	100RN51S-BSPT3
M83513/26-G03PN	104R51S-BS3
M83513/26-G03PP	104R51S-BSP3
M83513/26-G03PT	104R51S-BST3
M83513/26-G03PW	104R51S-BSPT3
M83513/26-G03TP	100RT51S-BSP3
M83513/26-G03TN	100RT51S-BS3
M83513/26-G03TT	100RT51S-BST3
M83513/26-G03TW	100RT51S-BSPT3
M83513/27-H01AP	100RL100S-BSP1
M83513/27-H01AN	100RL100S-BS1
M83513/27-H01AU	100RL100S-BSU1
M83513/27-H01AY	100RL100S-BSPU1
M83513/27-H01CN	100RC100S-BS1
M83513/27-H01CP	100RC100S-BSP1
M83513/27-H01CU	100RC100S-BSU1
M83513/27-H01CY	100RC100S-BSPU1
M83513/27-H01KN	100RK100S-BS1
M83513/27-H01KP	100RK100S-BSP1
M83513/27-H01KU	100RK100S-BSU1
M83513/27-H01KY	100RK100S-BSPU1
M83513/27-H01NN	100RN100S-BS1
M83513/27-H01NP	100RN100S-BSP1
M83513/27-H01NU	100RN100S-BSU1
M83513/27-H01NY	100RN100S-BSPU1
M83513/27-H01PN	104R100S-BS1
M83513/27-H01PP	104R100S-BSP1
M83513/27-H01PU	104R100S-BSU1
M83513/27-H01PY	104R100S-BSPU1
M83513/27-H01TP	100RT100S-BSP1
M83513/27-H01TN	100RT100S-BS1
M83513/27-H01TU	100RT100S-BSU1
M83513/27-H01TY	100RT100S-BSPU1
M83513/27-H02AP	100RL100S-BSP2
M83513/27-H02AN	100RL100S-BS2
M83513/27-H02AU	100RL100S-BSU2
M83513/27-H02AY	100RL100S-BSPU2
M83513/27-H02CN	100RC100S-BS2
M83513/27-H02CP	100RC100S-BSP2
M83513/27-H02CU	100RC100S-BSU2
M83513/27-H02CY	100RC100S-BSPU2

Mil-Spec	Amphenol
M83513/27-H02KN	100RK100S-BS2
M83513/27-H02KP	100RK100S-BSP2
M83513/27-H02KU	100RK100S-BSU2
M83513/27-H02KY	100RK100S-BSPU2
M83513/27-H02NN	100RN100S-BS2
M83513/27-H02NP	100RN100S-BSP2
M83513/27-H02NU	100RN100S-BSU2
M83513/27-H02NY	100RN100S-BSPU2
M83513/27-H02PN	104R100S-BS2
M83513/27-H02PP	104R100S-BSP2
M83513/27-H02PU	104R100S-BSU2
M83513/27-H02PY	104R100S-BSPU2
M83513/27-H02TP	100RT100S-BSP2
M83513/27-H02TN	100RT100S-BS2
M83513/27-H02TU	100RT100S-BSU2
M83513/27-H02TY	100RT100S-BSPU2
M83513/27-H03AP	100RL100S-BSP3
M83513/27-H03AN	100RL100S-BS3
M83513/27-H03AU	100RL100S-BSU3
M83513/27-H03AY	100RL100S-BSPU3
M83513/27-H03CN	100RC100S-BS3
M83513/27-H03CP	100RC100S-BSP3
M83513/27-H03CU	100RC100S-BSU3
M83513/27-H03CY	100RC100S-BSPU3
M83513/27-H03KN	100RK100S-BS3
M83513/27-H03KP	100RK100S-BSP3
M83513/27-H03KU	100RK100S-BSU3
M83513/27-H03KY	100RK100S-BSPU3
M83513/27-H03NN	100RN100S-BS3
M83513/27-H03NP	100RN100S-BSP3
M83513/27-H03NU	100RN100S-BSU3
M83513/27-H03NY	100RN100S-BSPU3
M83513/27-H03PN	104R100S-BS3
M83513/27-H03PP	104R100S-BSP3
M83513/27-H03PU	104R100S-BSU3
M83513/27-H03PY	104R100S-BSPU3
M83513/27-H03TP	100RT100S-BSP3
M83513/27-H03TN	100RT100S-BS3
M83513/27-H03TU	100RT100S-BSU3
M83513/27-H03TY	100RT100S-BSPU3
M83513/28-A01AP	100RL09P-C6P1
M83513/28-A01AN	100RL09P-C61
M83513/28-A01AT	100RL09P-C6T1
M83513/28-A01AW	100RL09P-C6PT1
M83513/28-A01CN	100RC09P-C61
M83513/28-A01CP	100RC09P-C6P1
M83513/28-A01CT	100RC09P-C6T1
M83513/28-A01CW	100RC09P-C6PT1
M83513/28-A01KN	100RK09P-C61

Mil-Spec	Amphenol
M83513/28-A01KP	100RK09P-C6P1
M83513/28-A01KT	100RK09P-C6T1
M83513/28-A01KW	100RK09P-C6PT1
M83513/28-A01NN	100RN09P-C61
M83513/28-A01NP	100RN09P-C6P1
M83513/28-A01NT	100RN09P-C6T1
M83513/28-A01NW	100RN09P-C6PT1
M83513/28-A01PN	104R09P-C61
M83513/28-A01PP	104R09P-C6P1
M83513/28-A01PT	104R09P-C6T1
M83513/28-A01PW	104R09P-C6PT1
M83513/28-A01TP	100RT09P-C6P1
M83513/28-A01TN	100RT09P-C61
M83513/28-A01TT	100RT09P-C6T1
M83513/28-A01TW	100RT09P-C6PT1
M83513/28-A02AP	100RL09P-C6P2
M83513/28-A02AN	100RL09P-C62
M83513/28-A02AT	100RL09P-C6T2
M83513/28-A02AW	100RL09P-C6PT2
M83513/28-A02CN	100RC09P-C62
M83513/28-A02CP	100RC09P-C6P2
M83513/28-A02CT	100RC09P-C6T2
M83513/28-A02CW	100RC09P-C6PT2
M83513/28-A02KN	100RK09P-C62
M83513/28-A02KP	100RK09P-C6P2
M83513/28-A02KT	100RK09P-C6T2
M83513/28-A02KW	100RK09P-C6PT2
M83513/28-A02NN	100RN09P-C62
M83513/28-A02NP	100RN09P-C6P2
M83513/28-A02NT	100RN09P-C6T2
M83513/28-A02NW	100RN09P-C6PT2
M83513/28-A02PN	104R09P-C62
M83513/28-A02PP	104R09P-C6P2
M83513/28-A02PT	104R09P-C6T2
M83513/28-A02PW	104R09P-C6PT2
M83513/28-A02TP	100RT09P-C6P2
M83513/28-A02TN	100RT09P-C62
M83513/28-A02TT	100RT09P-C6T2
M83513/28-A02TW	100RT09P-C6PT2
M83513/28-A03AP	100RL09P-C6P3
M83513/28-A03AN	100RL09P-C63
M83513/28-A03AT	100RL09P-C6T3
M83513/28-A03AW	100RL09P-C6PT3
M83513/28-A03CN	100RC09P-C63
M83513/28-A03CP	100RC09P-C6P3
M83513/28-A03CT	100RC09P-C6T3
M83513/28-A03CW	100RC09P-C6PT3
M83513/28-A03KN	100RK09P-C63
M83513/28-A03KP	100RK09P-C6P3

PART NUMBER CROSS REFERENCE

Mil-Spec	Amphenol	Mil-Spec	Amphenol	Mil-Spec	Amphenol
M83513/28-A03KT	100RK09P-C6T3	M83513/28-B02KW	100RK15P-C6PT2	M83513/28-C01NN	100RN21P-C61
M83513/28-A03KW	100RK09P-C6PT3	M83513/28-B02NN	100RN15P-C62	M83513/28-C01NP	100RN21P-C6P1
M83513/28-A03NN	100RN09P-C63	M83513/28-B02NP	100RN15P-C6P2	M83513/28-C01NT	100RN21P-C6T1
M83513/28-A03NP	100RN09P-C6P3	M83513/28-B02NT	100RN15P-C6T2	M83513/28-C01NW	100RN21P-C6PT1
M83513/28-A03NT	100RN09P-C6T3	M83513/28-B02NW	100RN15P-C6PT2	M83513/28-C01PN	104R21P-C61
M83513/28-A03NW	100RN09P-C6PT3	M83513/28-B02PN	104R15P-C62	M83513/28-C01PP	104R21P-C6P1
M83513/28-A03PN	104R09P-C63	M83513/28-B02PP	104R15P-C6P2	M83513/28-C01PT	104R21P-C6T1
M83513/28-A03PP	104R09P-C6P3	M83513/28-B02PT	104R15P-C6T2	M83513/28-C01PW	104R21P-C6PT1
M83513/28-A03PT	104R09P-C6T3	M83513/28-B02PW	104R15P-C6PT2	M83513/28-C01TP	100RT21P-C6P1
M83513/28-A03PW	104R09P-C6PT3	M83513/28-B02TP	100RT15P-C6P2	M83513/28-C01TN	100RT21P-C61
M83513/28-A03TP	100RT09P-C6P3	M83513/28-B02TN	100RT15P-C62	M83513/28-C01TT	100RT21P-C6T1
M83513/28-A03TN	100RT09P-C63	M83513/28-B02TT	100RT15P-C6T2	M83513/28-C01TW	100RT21P-C6PT1
M83513/28-A03TT	100RT09P-C6T3	M83513/28-B02TW	100RT15P-C6PT2	M83513/28-C02AP	100RL21P-C6P2
M83513/28-A03TW	100RT09P-C6PT3	M83513/28-B03AP	100RL15P-C6P3	M83513/28-C02AN	100RL21P-C62
M83513/28-B01AP	100RL15P-C6P1	M83513/28-B03AN	100RL15P-C63	M83513/28-C02AT	100RL21P-C6T2
M83513/28-B01AN	100RL15P-C61	M83513/28-B03AT	100RL15P-C6T3	M83513/28-C02AW	100RL21P-C6PT2
M83513/28-B01AT	100RL15P-C6T1	M83513/28-B03AW	100RL15P-C6PT3	M83513/28-C02CN	100RC21P-C62
M83513/28-B01AW	100RL15P-C6PT1	M83513/28-B03CN	100RC15P-C63	M83513/28-C02CP	100RC21P-C6P2
M83513/28-B01CN	100RC15P-C61	M83513/28-B03CP	100RC15P-C6P3	M83513/28-C02CT	100RC21P-C6T2
M83513/28-B01CP	100RC15P-C6P1	M83513/28-B03CT	100RC15P-C6T3	M83513/28-C02CW	100RC21P-C6PT2
M83513/28-B01CT	100RC15P-C6T1	M83513/28-B03CW	100RC15P-C6PT3	M83513/28-C02KN	100RK21P-C62
M83513/28-B01CW	100RC15P-C6PT1	M83513/28-B03KN	100RK15P-C63	M83513/28-C02KP	100RK21P-C6P2
M83513/28-B01KN	100RK15P-C61	M83513/28-B03KP	100RK15P-C6P3	M83513/28-C02KT	100RK21P-C6T2
M83513/28-B01KP	100RK15P-C6P1	M83513/28-B03KT	100RK15P-C6T3	M83513/28-C02KW	100RK21P-C6PT2
M83513/28-B01KT	100RK15P-C6T1	M83513/28-B03KW	100RK15P-C6PT3	M83513/28-C02NN	100RN21P-C62
M83513/28-B01KW	100RK15P-C6PT1	M83513/28-B03NN	100RN15P-C63	M83513/28-C02NP	100RN21P-C6P2
M83513/28-B01NN	100RN15P-C61	M83513/28-B03NP	100RN15P-C6P3	M83513/28-C02NT	100RN21P-C6T2
M83513/28-B01NP	100RN15P-C6P1	M83513/28-B03NT	100RN15P-C6T3	M83513/28-C02NW	100RN21P-C6PT2
M83513/28-B01NT	100RN15P-C6T1	M83513/28-B03NW	100RN15P-C6PT3	M83513/28-C02PN	104R21P-C62
M83513/28-B01NW	100RN15P-C6PT1	M83513/28-B03PN	104R15P-C63	M83513/28-C02PP	104R21P-C6P2
M83513/28-B01PN	104R15P-C61	M83513/28-B03PP	104R15P-C6P3	M83513/28-C02PT	104R21P-C6T2
M83513/28-B01PP	104R15P-C6P1	M83513/28-B03PT	104R15P-C6T3	M83513/28-C02PW	104R21P-C6PT2
M83513/28-B01PT	104R15P-C6T1	M83513/28-B03PW	104R15P-C6PT3	M83513/28-C02TP	100RT21P-C6P2
M83513/28-B01PW	104R15P-C6PT1	M83513/28-B03TP	100RT15P-C6P3	M83513/28-C02TN	100RT21P-C62
M83513/28-B01TP	100RT15P-C6P1	M83513/28-B03TN	100RT15P-C63	M83513/28-C02TT	100RT21P-C6T2
M83513/28-B01TN	100RT15P-C61	M83513/28-B03TT	100RT15P-C6T3	M83513/28-C02TW	100RT21P-C6PT2
M83513/28-B01TT	100RT15P-C6T1	M83513/28-B03TW	100RT15P-C6PT3	M83513/28-C03AP	100RL21P-C6P3
M83513/28-B01TW	100RT15P-C6PT1	M83513/28-C01AP	100RL21P-C6P1	M83513/28-C03AN	100RL21P-C63
M83513/28-B02AP	100RL15P-C6P2	M83513/28-C01AN	100RL21P-C61	M83513/28-C03AT	100RL21P-C6T3
M83513/28-B02AN	100RL15P-C62	M83513/28-C01AT	100RL21P-C6T1	M83513/28-C03AW	100RL21P-C6PT3
M83513/28-B02AT	100RL15P-C6T2	M83513/28-C01AW	100RL21P-C6PT1	M83513/28-C03CN	100RC21P-C63
M83513/28-B02AW	100RL15P-C6PT2	M83513/28-C01CN	100RC21P-C61	M83513/28-C03CP	100RC21P-C6P3
M83513/28-B02CN	100RC15P-C62	M83513/28-C01CP	100RC21P-C6P1	M83513/28-C03CT	100RC21P-C6T3
M83513/28-B02CP	100RC15P-C6P2	M83513/28-C01CT	100RC21P-C6T1	M83513/28-C03CW	100RC21P-C6PT3
M83513/28-B02CT	100RC15P-C6T2	M83513/28-C01CW	100RC21P-C6PT1	M83513/28-C03KN	100RK21P-C63
M83513/28-B02CW	100RC15P-C6PT2	M83513/28-C01KN	100RK21P-C61	M83513/28-C03KP	100RK21P-C6P3
M83513/28-B02KN	100RK15P-C62	M83513/28-C01KP	100RK21P-C6P1	M83513/28-C03KT	100RK21P-C6T3
M83513/28-B02KP	100RK15P-C6P2	M83513/28-C01KT	100RK21P-C6T1	M83513/28-C03KW	100RK21P-C6PT3
M83513/28-B02KT	100RK15P-C6T2	M83513/28-C01KW	100RK21P-C6PT1	M83513/28-C03NN	100RN21P-C63

PART NUMBER CROSS REFERENCE

MICRO-D

Mil-Spec	Amphenol	Mil-Spec	Amphenol	Mil-Spec	Amphenol
M83513/28-C03NP	100RN21P-C6P3	M83513/28-D02NT	100RN25P-C6T2	M83513/28-E01NW	100RN31P-C6PT1
M83513/28-C03NT	100RN21P-C6T3	M83513/28-D02NW	100RN25P-C6PT2	M83513/28-E01PN	104R31P-C61
M83513/28-C03NW	100RN21P-C6PT3	M83513/28-D02PN	104R25P-C62	M83513/28-E01PP	104R31P-C6P1
M83513/28-C03PN	104R21P-C63	M83513/28-D02PP	104R25P-C6P2	M83513/28-E01PT	104R31P-C6T1
M83513/28-C03PP	104R21P-C6P3	M83513/28-D02PT	104R25P-C6T2	M83513/28-E01PW	104R31P-C6PT1
M83513/28-C03PT	104R21P-C6T3	M83513/28-D02PW	104R25P-C6PT2	M83513/28-E01TP	100RT31P-C6P1
M83513/28-C03PW	104R21P-C6PT3	M83513/28-D02TP	100RT25P-C6P2	M83513/28-E01TN	100RT31P-C61
M83513/28-C03TP	100RT21P-C6P3	M83513/28-D02TN	100RT25P-C62	M83513/28-E01TT	100RT31P-C6T1
M83513/28-C03TN	100RT21P-C63	M83513/28-D02TT	100RT25P-C6T2	M83513/28-E01TW	100RT31P-C6PT1
M83513/28-C03TT	100RT21P-C6T3	M83513/28-D02TW	100RT25P-C6PT2	M83513/28-E02AP	100RL31P-C6P2
M83513/28-C03TW	100RT21P-C6PT3	M83513/28-D03AP	100RL25P-C6P3	M83513/28-E02AN	100RL31P-C62
M83513/28-D01AP	100RL25P-C6P1	M83513/28-D03AN	100RL25P-C63	M83513/28-E02AT	100RL31P-C6T2
M83513/28-D01AN	100RL25P-C61	M83513/28-D03AT	100RL25P-C6T3	M83513/28-E02AW	100RL31P-C6PT2
M83513/28-D01AT	100RL25P-C6T1	M83513/28-D03AW	100RL25P-C6PT3	M83513/28-E02CN	100RC31P-C62
M83513/28-D01AW	100RL25P-C6PT1	M83513/28-D03CN	100RC25P-C63	M83513/28-E02CP	100RC31P-C6P2
M83513/28-D01CN	100RC25P-C61	M83513/28-D03CP	100RC25P-C6P3	M83513/28-E02CT	100RC31P-C6T2
M83513/28-D01CP	100RC25P-C6P1	M83513/28-D03CT	100RC25P-C6T3	M83513/28-E02CW	100RC31P-C6PT2
M83513/28-D01CP	100RC25P-C6P1	M83513/28-D03CW	100RC25P-C6PT3	M83513/28-E02KN	100RK31P-C62
M83513/28-D01CT	100RC25P-C6T1	M83513/28-D03KN	100RK25P-C63	M83513/28-E02KP	100RK31P-C6P2
M83513/28-D01CW	100RC25P-C6PT1	M83513/28-D03KP	100RK25P-C6P3	M83513/28-E02KT	100RK31P-C6T2
M83513/28-D01KN	100RK25P-C61	M83513/28-D03KT	100RK25P-C6T3	M83513/28-E02KW	100RK31P-C6PT2
M83513/28-D01KP	100RK25P-C6P1	M83513/28-D03KW	100RK25P-C6PT3	M83513/28-E02NN	100RN31P-C62
M83513/28-D01KT	100RK25P-C6T1	M83513/28-D03NN	100RN25P-C63	M83513/28-E02NP	100RN31P-C6P2
M83513/28-D01KW	100RK25P-C6PT1	M83513/28-D03NP	100RN25P-C6P3	M83513/28-E02NT	100RN31P-C6T2
M83513/28-D01NN	100RN25P-C61	M83513/28-D03NT	100RN25P-C6T3	M83513/28-E02NW	100RN31P-C6PT2
M83513/28-D01NP	100RN25P-C6P1	M83513/28-D03NW	100RN25P-C6PT3	M83513/28-E02PN	104R31P-C62
M83513/28-D01NT	100RN25P-C6T1	M83513/28-D03PN	104R25P-C63	M83513/28-E02PP	104R31P-C6P2
M83513/28-D01NW	100RN25P-C6PT1	M83513/28-D03PP	104R25P-C6P3	M83513/28-E02PT	104R31P-C6T2
M83513/28-D01PN	104R25P-C61	M83513/28-D03PT	104R25P-C6T3	M83513/28-E02PW	104R31P-C6PT2
M83513/28-D01PP	104R25P-C6P1	M83513/28-D03PW	104R25P-C6PT3	M83513/28-E02TP	100RT31P-C6P2
M83513/28-D01PT	104R25P-C6T1	M83513/28-D03PW	100RT25P-C6P3	M83513/28-E02TN	100RT31P-C62
M83513/28-D01PW	104R25P-C6PT1	M83513/28-D03TP	100RT25P-C63	M83513/28-E02TT	100RT31P-C6T2
M83513/28-D01TP	100RT25P-C6P1	M83513/28-D03TN	100RT25P-C63	M83513/28-E02TW	100RT31P-C6PT2
M83513/28-D01TN	100RT25P-C61	M83513/28-D03TT	100RT25P-C6T3	M83513/28-E03AP	100RL31P-C6P3
M83513/28-D01TT	100RT25P-C6T1	M83513/28-D03TW	100RT25P-C6PT3	M83513/28-E03AN	100RL31P-C63
M83513/28-D01TW	100RT25P-C6PT1	M83513/28-E01AP	100RL31P-C6P1	M83513/28-E03AT	100RL31P-C6T3
M83513/28-D02AP	100RL25P-C6P2	M83513/28-E01AN	100RL31P-C61	M83513/28-E03AW	100RL31P-C6PT3
M83513/28-D02AN	100RL25P-C62	M83513/28-E01AT	100RL31P-C6T1	M83513/28-E03CN	100RC31P-C63
M83513/28-D02AT	100RL25P-C6T2	M83513/28-E01AW	100RL31P-C6PT1	M83513/28-E03CP	100RC31P-C6P3
M83513/28-D02AW	100RL25P-C6PT2	M83513/28-E01CN	100RC31P-C61	M83513/28-E03CT	100RC31P-C6T3
M83513/28-D02CN	100RC25P-C62	M83513/28-E01CP	100RC31P-C6P1	M83513/28-E03CW	100RC31P-C6PT3
M83513/28-D02CP	100RC25P-C6P2	M83513/28-E01CT	100RC31P-C6T1	M83513/28-E03KN	100RK31P-C63
M83513/28-D02CT	100RC25P-C6T2	M83513/28-E01CW	100RC31P-C6PT1	M83513/28-E03KP	100RK31P-C6P3
M83513/28-D02CW	100RC25P-C6PT2	M83513/28-E01KN	100RK31P-C61	M83513/28-E03KT	100RK31P-C6T3
M83513/28-D02KN	100RK25P-C62	M83513/28-E01KP	100RK31P-C6P1	M83513/28-E03KW	100RK31P-C6PT3
M83513/28-D02KP	100RK25P-C6P2	M83513/28-E01KT	100RK31P-C6T1	M83513/28-E03NN	100RN31P-C63
M83513/28-D02KT	100RK25P-C6T2	M83513/28-E01KW	100RK31P-C6PT1	M83513/28-E03NP	100RN31P-C6P3
M83513/28-D02KW	100RK25P-C6PT2	M83513/28-E01NN	100RN31P-C61	M83513/28-E03NT	100RN31P-C6T3
M83513/28-D02NN	100RN25P-C62	M83513/28-E01NP	100RN31P-C6P1	M83513/28-E03NW	100RN31P-C6PT3
M83513/28-D02NP	100RN25P-C6P2	M83513/28-E01NT	100RN31P-C6T1		

PART NUMBER CROSS REFERENCE

Mil-Spec	Amphenol	Mil-Spec	Amphenol	Mil-Spec	Amphenol
M83513/28-E03PN	104R31P-C63	M83513/28-F02PP	104R37P-C6P2	M83513/29-G01PT	104R51P-C6T1
M83513/28-E03PP	104R31P-C6P3	M83513/28-F02PT	104R37P-C6T2	M83513/29-G01PW	104R51P-C6PT1
M83513/28-E03PT	104R31P-C6T3	M83513/28-F02PW	104R37P-C6PT2	M83513/29-G01TP	100RT51P-C6P1
M83513/28-E03PW	104R31P-C6PT3	M83513/28-F02TP	100RT37P-C6P2	M83513/29-G01TN	100RT51P-C6T1
M83513/28-E03TP	100RT31P-C6P3	M83513/28-F02TN	100RT37P-C6T2	M83513/29-G01TT	100RT51P-C6T1
M83513/28-E03TN	100RT31P-C6T3	M83513/28-F02TT	100RT37P-C6T2	M83513/29-G01TW	100RT51P-C6PT1
M83513/28-E03TT	100RT31P-C6T3	M83513/28-F02TW	100RT37P-C6PT2	M83513/29-G02AP	100RL51P-C6P2
M83513/28-E03TW	100RT31P-C6PT3	M83513/28-F03AP	100RL37P-C6P3	M83513/29-G02AN	100RL51P-C6T2
M83513/28-F01AP	100RL37P-C6P1	M83513/28-F03AN	100RL37P-C6T3	M83513/29-G02AT	100RL51P-C6PT2
M83513/28-F01AN	100RL37P-C6T1	M83513/28-F03AT	100RC37P-C63	M83513/29-G02AW	100RC51P-C62
M83513/28-F01AT	100RC37P-C6P1	M83513/28-F03AW	100RC37P-C6T3	M83513/29-G02CN	100RC51P-C6P2
M83513/28-F01AW	100RC37P-C6T1	M83513/28-F03CN	100RC37P-C6P3	M83513/29-G02CP	100RC51P-C6T2
M83513/28-F01CN	100RC37P-C6T3	M83513/28-F03CP	100RC37P-C6P3	M83513/29-G02CT	100RC51P-C6PT2
M83513/28-F01CP	100RC37P-C6T3	M83513/28-F03CT	100RC37P-C6PT3	M83513/29-G02CW	100RC51P-C6T2
M83513/28-F01CT	100RC37P-C6PT3	M83513/28-F03CW	100RK37P-C63	M83513/29-G02KN	100RK51P-C62
M83513/28-F01CW	100RK37P-C63	M83513/28-F03KN	100RK37P-C6T3	M83513/29-G02KP	100RK51P-C6P2
M83513/28-F01KN	100RK37P-C6P1	M83513/28-F03KP	100RK37P-C6T3	M83513/29-G02KT	100RK51P-C6T2
M83513/28-F01KP	100RK37P-C6T1	M83513/28-F03KT	100RN37P-C63	M83513/29-G02KW	100RN51P-C62
M83513/28-F01KT	100RN37P-C63	M83513/28-F03KW	100RN37P-C6P3	M83513/29-G02NN	100RN51P-C6P2
M83513/28-F01KW	100RN37P-C6T3	M83513/28-F03NN	100RN37P-C6T3	M83513/29-G02NP	100RN51P-C6T2
M83513/28-F01NN	100RN37P-C6T3	M83513/28-F03NP	104R37P-C63	M83513/29-G02NT	100RN51P-C6PT2
M83513/28-F01NP	104R37P-C63	M83513/28-F03NT	104R37P-C6P3	M83513/29-G02PN	104R51P-C62
M83513/28-F01NT	104R37P-C6P3	M83513/28-F03NW	104R37P-C6T3	M83513/29-G02PP	104R51P-C6P2
M83513/28-F01NW	104R37P-C6T3	M83513/28-F03PN	104R37P-C6PT3	M83513/29-G02PT	104R51P-C6T2
M83513/28-F01PN	104R37P-C6PT3	M83513/28-F03PP	100RT37P-C6P3	M83513/29-G02PW	104R51P-C6PT2
M83513/28-F01PP	100RT37P-C6P3	M83513/28-F03PT	100RT37P-C6T3	M83513/29-G02TP	100RT51P-C6P2
M83513/28-F01PT	100RT37P-C6T3	M83513/28-F03PW	100RT37P-C6T3	M83513/29-G02TN	100RT51P-C6T2
M83513/28-F01PW	100RT37P-C6T3	M83513/28-F03TP	100RT37P-C63	M83513/29-G02TT	100RT51P-C6PT2
M83513/28-F01TP	100RT37P-C63	M83513/28-F03TN	100RT37P-C6T3	M83513/29-G02TW	100RL51P-C6P3
M83513/28-F01TN	100RT37P-C6T3	M83513/28-F03TT	100RL51P-C6P1	M83513/29-G03AP	100RL51P-C63
M83513/28-F01TT	100RL51P-C6P1	M83513/28-F03TW	100RL51P-C6T1	M83513/29-G03AN	100RL51P-C6T3
M83513/28-F01TW	100RL51P-C6T1	M83513/29-G01AP	100RL51P-C6PT1	M83513/29-G03AT	100RL51P-C6PT3
M83513/28-F02AP	100RL37P-C6P2	M83513/29-G01AN	100RC51P-C61	M83513/29-G03AW	100RC51P-C63
M83513/28-F02AN	100RL37P-C6T2	M83513/29-G01AT	100RC51P-C6P1	M83513/29-G03CN	100RC51P-C6P3
M83513/28-F02AT	100RL37P-C6T2	M83513/29-G01AW	100RC51P-C6T1	M83513/29-G03CP	100RC51P-C6T3
M83513/28-F02AW	100RC37P-C62	M83513/29-G01CN	100RC51P-C6PT1	M83513/29-G03CT	100RC51P-C6PT3
M83513/28-F02CN	100RC37P-C6P2	M83513/29-G01CP	100RK51P-C61	M83513/29-G03CW	100RK51P-C63
M83513/28-F02CP	100RC37P-C6T2	M83513/29-G01CT	100RK51P-C6P1	M83513/29-G03KN	100RK51P-C6P3
M83513/28-F02CT	100RC37P-C6T2	M83513/29-G01CW	100RK51P-C6T1	M83513/29-G03KP	100RK51P-C6T3
M83513/28-F02CW	100RC37P-C6PT2	M83513/29-G01KN	100RK51P-C6PT1	M83513/29-G03KT	100RK51P-C6PT3
M83513/28-F02KN	100RK37P-C62	M83513/29-G01KP	100RN51P-C61	M83513/29-G03KW	100RN51P-C63
M83513/28-F02KP	100RK37P-C6P2	M83513/29-G01KT	100RN51P-C6P1	M83513/29-G03NN	100RN51P-C6P3
M83513/28-F02KT	100RK37P-C6T2	M83513/29-G01KW	100RN51P-C6T1	M83513/29-G03NP	100RN51P-C6T3
M83513/28-F02KT	100RK37P-C6T2	M83513/29-G01NN	100RN51P-C6PT1	M83513/29-G03NT	100RN51P-C6PT3
M83513/28-F02KW	100RK37P-C6PT2	M83513/29-G01NP	104R51P-C61	M83513/29-G03NW	104R51P-C63
M83513/28-F02NN	100RN37P-C62	M83513/29-G01NT	104R51P-C6P1	M83513/29-G03PN	104R51P-C6P3
M83513/28-F02NP	100RN37P-C6P2	M83513/29-G01NT	104R51P-C6T1	M83513/29-G03PP	104R51P-C6T3
M83513/28-F02NT	100RN37P-C6T2	M83513/29-G01NW	104R51P-C6PT1	M83513/29-G03PT	104R51P-C6T3
M83513/28-F02NW	100RN37P-C6PT2	M83513/29-G01PN	104R51P-C63		
M83513/28-F02PN	104R37P-C62	M83513/29-G01PP	104R51P-C6P1		

PART NUMBER CROSS REFERENCE

MICRO-D

Mil-Spec	Amphenol
M83513/29-G03PW	104R51P-C6PT3
M83513/29-G03TP	100RT51P-C6P3
M83513/29-G03TN	100RT51P-C63
M83513/29-G03TT	100RT51P-C6T3
M83513/29-G03TW	100RT51P-C6PT3
M83513/30-H01AP	100RL100P-C6P1
M83513/30-H01AN	100RL100P-C61
M83513/30-H01AU	100RL100P-C6U1
M83513/30-H01AY	100RL100P-C6PU1
M83513/30-H01CN	100RC100P-C61
M83513/30-H01CP	100RC100P-C6P1
M83513/30-H01CU	100RC100P-C6U1
M83513/30-H01CY	100RC100P-C6PU1
M83513/30-H01KN	100RK100P-C61
M83513/30-H01KP	100RK100P-C6P1
M83513/30-H01KU	100RK100P-C6U1
M83513/30-H01KY	100RK100P-C6PU1
M83513/30-H01NN	100RN100P-C61
M83513/30-H01NP	100RN100P-C6P1
M83513/30-H01NU	100RN100P-C6U1
M83513/30-H01NY	100RN100P-C6PU1
M83513/30-H01PN	104R100P-C61
M83513/30-H01PP	104R100P-C6P1
M83513/30-H01PU	104R100P-C6U1
M83513/30-H01PY	104R100P-C6PU1
M83513/30-H01TP	100RT100P-C6P1
M83513/30-H01TN	100RT100P-C61
M83513/30-H01TU	100RT100P-C6U1
M83513/30-H01TY	100RT100P-C6PU1
M83513/30-H02AP	100RL100P-C6P2
M83513/30-H02AN	100RL100P-C62
M83513/30-H02AU	100RL100P-C6U2
M83513/30-H02AY	100RL100P-C6PU2
M83513/30-H02CN	100RC100P-C62
M83513/30-H02CP	100RC100P-C6P2
M83513/30-H02CU	100RC100P-C6U2
M83513/30-H02CY	100RC100P-C6PU2
M83513/30-H02KN	100RK100P-C62
M83513/30-H02KP	100RK100P-C6P2
M83513/30-H02KU	100RK100P-C6U2
M83513/30-H02KY	100RK100P-C6PU2
M83513/30-H02NN	100RN100P-C62
M83513/30-H02NP	100RN100P-C6P2
M83513/30-H02NU	100RN100P-C6U2
M83513/30-H02NY	100RN100P-C6PU2
M83513/30-H02PN	104R100P-C62
M83513/30-H02PP	104R100P-C6P2
M83513/30-H02PU	104R100P-C6U2
M83513/30-H02PY	104R100P-C6PU2

Mil-Spec	Amphenol
M83513/30-H02TP	100RT100P-C6P2
M83513/30-H02TN	100RT100P-C62
M83513/30-H02TU	100RT100P-C6U2
M83513/30-H02TY	100RT100P-C6PU2
M83513/30-H03AP	100RL100P-C6P3
M83513/30-H03AN	100RL100P-C63
M83513/30-H03AU	100RL100P-C6U3
M83513/30-H03AY	100RL100P-C6PU3
M83513/30-H03CN	100RC100P-C63
M83513/30-H03CP	100RC100P-C6P3
M83513/30-H03CU	100RC100P-C6U3
M83513/30-H03CY	100RC100P-C6PU3
M83513/30-H03KN	100RK100P-C63
M83513/30-H03KP	100RK100P-C6P3
M83513/30-H03KU	100RK100P-C6U3
M83513/30-H03KY	100RK100P-C6PU3
M83513/30-H03NN	100RN100P-C63
M83513/30-H03NP	100RN100P-C6P3
M83513/30-H03NU	100RN100P-C6U3
M83513/30-H03NY	100RN100P-C6PU3
M83513/30-H03PN	104R100P-C63
M83513/30-H03PP	104R100P-C6P3
M83513/30-H03PU	104R100P-C6U3
M83513/30-H03PY	104R100P-C6PU3
M83513/30-H03TP	100RT100P-C6P3
M83513/30-H03TN	100RT100P-C63
M83513/30-H03TU	100RT100P-C6U3
M83513/30-H03TY	100RT100P-C6PU3
M83513/31-A01AP	100RL09S-C6P1
M83513/31-A01AN	100RL09S-C61
M83513/31-A01AT	100RL09S-C6T1
M83513/31-A01AW	100RL09S-C6PT1
M83513/31-A01CN	100RC09S-C61
M83513/31-A01CP	100RC09S-C6P1
M83513/31-A01CT	100RC09S-C6T1
M83513/31-A01CW	100RC09S-C6PT1
M83513/31-A01KN	100RK09S-C61
M83513/31-A01KP	100RK09S-C6P1
M83513/31-A01KT	100RK09S-C6T1
M83513/31-A01KW	100RK09S-C6PT1
M83513/31-A01NN	100RN09S-C61
M83513/31-A01NP	100RN09S-C6P1
M83513/31-A01NT	100RN09S-C6T1
M83513/31-A01NW	100RN09S-C6PT1
M83513/31-A01PN	104R09S-C61
M83513/31-A01PP	104R09S-C6P1
M83513/31-A01PT	104R09S-C6T1
M83513/31-A01PW	104R09S-C6PT1
M83513/31-A01TP	100RT09S-C6P1

Mil-Spec	Amphenol
M83513/31-A01TN	100RT09S-C61
M83513/31-A01TT	100RT09S-C6T1
M83513/31-A01TW	100RT09S-C6PT1
M83513/31-A02AP	100RL09S-C6P2
M83513/31-A02AN	100RL09S-C62
M83513/31-A02AT	100RL09S-C6T2
M83513/31-A02AW	100RL09S-C6PT2
M83513/31-A02CN	100RC09S-C62
M83513/31-A02CP	100RC09S-C6P2
M83513/31-A02CT	100RC09S-C6T2
M83513/31-A02CW	100RC09S-C6PT2
M83513/31-A02KN	100RK09S-C62
M83513/31-A02KP	100RK09S-C6P2
M83513/31-A02KT	100RK09S-C6T2
M83513/31-A02KW	100RK09S-C6PT2
M83513/31-A02NN	100RN09S-C62
M83513/31-A02NP	100RN09S-C6P2
M83513/31-A02NT	100RN09S-C6T2
M83513/31-A02NW	100RN09S-C6PT2
M83513/31-A02PN	104R09S-C62
M83513/31-A02PP	104R09S-C6P2
M83513/31-A02PT	104R09S-C6T2
M83513/31-A02PW	104R09S-C6PT2
M83513/31-A02TP	100RT09S-C6P2
M83513/31-A02TN	100RT09S-C62
M83513/31-A02TT	100RT09S-C6T2
M83513/31-A02TW	100RT09S-C6PT2
M83513/31-A03AP	100RL09S-C6P3
M83513/31-A03AN	100RL09S-C63
M83513/31-A03AT	100RL09S-C6T3
M83513/31-A03AW	100RL09S-C6PT3
M83513/31-A03CN	100RC09S-C63
M83513/31-A03CP	100RC09S-C6P3
M83513/31-A03CT	100RC09S-C6T3
M83513/31-A03CW	100RC09S-C6PT3
M83513/31-A03KN	100RK09S-C63
M83513/31-A03KP	100RK09S-C6P3
M83513/31-A03KT	100RK09S-C6T3
M83513/31-A03KW	100RK09S-C6PT3
M83513/31-A03NN	100RN09S-C63
M83513/31-A03NP	100RN09S-C6P3
M83513/31-A03NT	100RN09S-C6T3
M83513/31-A03NW	100RN09S-C6PT3
M83513/31-A03PN	104R09S-C63
M83513/31-A03PP	104R09S-C6P3
M83513/31-A03PT	104R09S-C6T3
M83513/31-A03PW	104R09S-C6PT3
M83513/31-A03TP	100RT09S-C6P3
M83513/31-A03TN	100RT09S-C63

Mil-Spec	Amphenol	Mil-Spec	Amphenol	Mil-Spec	Amphenol
M83513/31-A03TT	100RT09S-C6T3	M83513/31-B02TW	100RT15S-C6PT2	M83513/31-C02AP	100RL21S-C6P2
M83513/31-A03TW	100RT09S-C6PT3	M83513/31-B03AP	100RL15S-C6P3	M83513/31-C02AN	100RL21S-C62
M83513/31-B01AP	100RL15S-C6P1	M83513/31-B03AN	100RL15S-C63	M83513/31-C02AT	100RL21S-C6T2
M83513/31-B01AN	100RL15S-C61	M83513/31-B03AT	100RL15S-C6T3	M83513/31-C02AW	100RL21S-C6PT2
M83513/31-B01AT	100RL15S-C6T1	M83513/31-B03AW	100RL15S-C6PT3	M83513/31-C02CN	100RC21S-C62
M83513/31-B01AW	100RL15S-C6PT1	M83513/31-B03CN	100RC15S-C63	M83513/31-C02CP	100RC21S-C6P2
M83513/31-B01CN	100RC15S-C61	M83513/31-B03CP	100RC15S-C6P3	M83513/31-C02CT	100RC21S-C6T2
M83513/31-B01CP	100RC15S-C6P1	M83513/31-B03CT	100RC15S-C6T3	M83513/31-C02CW	100RC21S-C6PT2
M83513/31-B01CT	100RC15S-C6T1	M83513/31-B03CW	100RC15S-C6PT3	M83513/31-C02KN	100RK21S-C62
M83513/31-B01CW	100RC15S-C6PT1	M83513/31-B03KN	100RK15S-C63	M83513/31-C02KP	100RK21S-C6P2
M83513/31-B01KN	100RK15S-C61	M83513/31-B03KP	100RK15S-C6P3	M83513/31-C02KT	100RK21S-C6T2
M83513/31-B01KP	100RK15S-C6P1	M83513/31-B03KT	100RK15S-C6T3	M83513/31-C02KW	100RK21S-C6PT2
M83513/31-B01KT	100RK15S-C6T1	M83513/31-B03KW	100RK15S-C6PT3	M83513/31-C02NN	100RN21S-C62
M83513/31-B01KW	100RK15S-C6PT1	M83513/31-B03NN	100RN15S-C63	M83513/31-C02NP	100RN21S-C6P2
M83513/31-B01NN	100RN15S-C61	M83513/31-B03NP	100RN15S-C6P3	M83513/31-C02NT	100RN21S-C6T2
M83513/31-B01NP	100RN15S-C6P1	M83513/31-B03NT	100RN15S-C6T3	M83513/31-C02NW	100RN21S-C6PT2
M83513/31-B01NT	100RN15S-C6T1	M83513/31-B03NW	100RN15S-C6PT3	M83513/31-C02PN	104R21S-C62
M83513/31-B01NW	100RN15S-C6PT1	M83513/31-B03PN	104R15S-C63	M83513/31-C02PP	104R21S-C6P2
M83513/31-B01PN	104R15S-C61	M83513/31-B03PP	104R15S-C6P3	M83513/31-C02PT	104R21S-C6T2
M83513/31-B01PP	104R15S-C6P1	M83513/31-B03PT	104R15S-C6T3	M83513/31-C02PW	104R21S-C6PT2
M83513/31-B01PT	104R15S-C6T1	M83513/31-B03PW	104R15S-C6PT3	M83513/31-C02TP	100RT21S-C6P2
M83513/31-B01PW	104R15S-C6PT1	M83513/31-B03TP	100RT15S-C6P3	M83513/31-C02TN	100RT21S-C62
M83513/31-B01TP	100RT15S-C6P1	M83513/31-B03TN	100RT15S-C63	M83513/31-C02TT	100RT21S-C6T2
M83513/31-B01TN	100RT15S-C61	M83513/31-B03TT	100RT15S-C6T3	M83513/31-C02TW	100RT21S-C6PT2
M83513/31-B01TT	100RT15S-C6T1	M83513/31-B03TW	100RT15S-C6PT3	M83513/31-C03AP	100RL21S-C6P3
M83513/31-B01TW	100RT15S-C6PT1	M83513/31-C01AP	100RL21S-C6P1	M83513/31-C03AN	100RL21S-C63
M83513/31-B02AP	100RL15S-C6P2	M83513/31-C01AN	100RL21S-C61	M83513/31-C03AT	100RL21S-C6T3
M83513/31-B02AN	100RL15S-C62	M83513/31-C01AT	100RL21S-C6T1	M83513/31-C03AW	100RL21S-C6PT3
M83513/31-B02AT	100RL15S-C6T2	M83513/31-C01AW	100RL21S-C6PT1	M83513/31-C03CN	100RC21S-C63
M83513/31-B02AW	100RL15S-C6PT2	M83513/31-C01CN	100RC21S-C61	M83513/31-C03CP	100RC21S-C6P3
M83513/31-B02CN	100RC15S-C62	M83513/31-C01CP	100RC21S-C6P1	M83513/31-C03CT	100RC21S-C6T3
M83513/31-B02CP	100RC15S-C6P2	M83513/31-C01CT	100RC21S-C6T1	M83513/31-C03CW	100RC21S-C6PT3
M83513/31-B02CT	100RC15S-C6T2	M83513/31-C01CW	100RC21S-C6PT1	M83513/31-C03KN	100RK21S-C63
M83513/31-B02CW	100RC15S-C6PT2	M83513/31-C01KN	100RK21S-C61	M83513/31-C03KP	100RK21S-C6P3
M83513/31-B02KN	100RK15S-C62	M83513/31-C01KP	100RK21S-C6P1	M83513/31-C03KT	100RK21S-C6T3
M83513/31-B02KP	100RK15S-C6P2	M83513/31-C01KT	100RK21S-C6T1	M83513/31-C03KW	100RK21S-C6PT3
M83513/31-B02KT	100RK15S-C6T2	M83513/31-C01KW	100RK21S-C6PT1	M83513/31-C03NN	100RN21S-C63
M83513/31-B02KW	100RK15S-C6PT2	M83513/31-C01NN	100RN21S-C61	M83513/31-C03NP	100RN21S-C6P3
M83513/31-B02NN	100RN15S-C62	M83513/31-C01NP	100RN21S-C6P1	M83513/31-C03NT	100RN21S-C6T3
M83513/31-B02NP	100RN15S-C6P2	M83513/31-C01NT	100RN21S-C6T1	M83513/31-C03NW	100RN21S-C6PT3
M83513/31-B02NT	100RN15S-C6T2	M83513/31-C01NW	100RN21S-C6PT1	M83513/31-C03PN	104R21S-C63
M83513/31-B02NW	100RN15S-C6PT2	M83513/31-C01PN	104R21S-C61	M83513/31-C03PP	104R21S-C6P3
M83513/31-B02PN	104R15S-C62	M83513/31-C01PP	104R21S-C6P1	M83513/31-C03PT	104R21S-C6T3
M83513/31-B02PP	104R15S-C6P2	M83513/31-C01PT	104R21S-C6T1	M83513/31-C03PW	104R21S-C6PT3
M83513/31-B02PT	104R15S-C6T2	M83513/31-C01PW	104R21S-C6PT1	M83513/31-C03TP	100RT21S-C6P3
M83513/31-B02PW	104R15S-C6PT2	M83513/31-C01TP	100RT21S-C6P1	M83513/31-C03TN	100RT21S-C63
M83513/31-B02TP	100RT15S-C6P2	M83513/31-C01TN	100RT21S-C61	M83513/31-C03TT	100RT21S-C6T3
M83513/31-B02TN	100RT15S-C62	M83513/31-C01TT	100RT21S-C6T1	M83513/31-C03TW	100RT21S-C6PT3
M83513/31-B02TT	100RT15S-C6T2	M83513/31-C01TW	100RT21S-C6PT1	M83513/31-D01AP	100RL25S-C6P1

PART NUMBER CROSS REFERENCE

MICRO-D

Mil-Spec	Amphenol
M83513/31-D01AN	100RL25S-C61
M83513/31-D01AT	100RL25S-C6T1
M83513/31-D01AW	100RL25S-C6PT1
M83513/31-D01CN	100RC25S-C61
M83513/31-D01CP	100RC25S-C6P1
M83513/31-D01CT	100RC25S-C6T1
M83513/31-D01CW	100RC25S-C6PT1
M83513/31-D01KN	100RK25S-C61
M83513/31-D01KP	100RK25S-C6P1
M83513/31-D01KT	100RK25S-C6T1
M83513/31-D01KW	100RK25S-C6PT1
M83513/31-D01NN	100RN25S-C61
M83513/31-D01NP	100RN25S-C6P1
M83513/31-D01NT	100RN25S-C6T1
M83513/31-D01NW	100RN25S-C6PT1
M83513/31-D01PN	104R25S-C61
M83513/31-D01PP	104R25S-C6P1
M83513/31-D01PT	104R25S-C6T1
M83513/31-D01PW	104R25S-C6PT1
M83513/31-D01TP	100RT25S-C6P1
M83513/31-D01TN	100RT25S-C61
M83513/31-D01TT	100RT25S-C6T1
M83513/31-D01TW	100RT25S-C6PT1
M83513/31-D02AP	100RL25S-C6P2
M83513/31-D02AN	100RL25S-C62
M83513/31-D02AT	100RL25S-C6T2
M83513/31-D02AW	100RL25S-C6PT2
M83513/31-D02CN	100RC25S-C62
M83513/31-D02CP	100RC25S-C6P2
M83513/31-D02CT	100RC25S-C6T2
M83513/31-D02CW	100RC25S-C6PT2
M83513/31-D02KN	100RK25S-C62
M83513/31-D02KP	100RK25S-C6P2
M83513/31-D02KT	100RK25S-C6T2
M83513/31-D02KW	100RK25S-C6PT2
M83513/31-D02NN	100RN25S-C62
M83513/31-D02NP	100RN25S-C6P2
M83513/31-D02NT	100RN25S-C6T2
M83513/31-D02NW	100RN25S-C6PT2
M83513/31-D02PN	104R25S-C62
M83513/31-D02PP	104R25S-C6P2
M83513/31-D02PT	104R25S-C6T2
M83513/31-D02PW	104R25S-C6PT2
M83513/31-D02TP	100RT25S-C6P2
M83513/31-D02TN	100RT25S-C62
M83513/31-D02TT	100RT25S-C6T2
M83513/31-D02TW	100RT25S-C6PT2
M83513/31-D03AP	100RL25S-C6P3
M83513/31-D03AN	100RL25S-C63

Mil-Spec	Amphenol
M83513/31-D03AT	100RL25S-C6T3
M83513/31-D03AW	100RL25S-C6PT3
M83513/31-D03CN	100RC25S-C63
M83513/31-D03CP	100RC25S-C6P3
M83513/31-D03CT	100RC25S-C6T3
M83513/31-D03CW	100RC25S-C6PT3
M83513/31-D03KN	100RK25S-C63
M83513/31-D03KP	100RK25S-C6P3
M83513/31-D03KT	100RK25S-C6T3
M83513/31-D03KW	100RK25S-C6PT3
M83513/31-D03NN	100RN25S-C63
M83513/31-D03NP	100RN25S-C6P3
M83513/31-D03NT	100RN25S-C6T3
M83513/31-D03NW	100RN25S-C6PT3
M83513/31-D03PN	104R25S-C63
M83513/31-D03PP	104R25S-C6P3
M83513/31-D03PT	104R25S-C6T3
M83513/31-D03PW	104R25S-C6PT3
M83513/31-D03TP	100RT25S-C6P3
M83513/31-D03TN	100RT25S-C63
M83513/31-D03TT	100RT25S-C6T3
M83513/31-D03TW	100RT25S-C6PT3
M83513/31-E01AP	100RL31S-C6P1
M83513/31-E01AN	100RL31S-C61
M83513/31-E01AT	100RL31S-C6T1
M83513/31-E01AW	100RL31S-C6PT1
M83513/31-E01CN	100RC31S-C61
M83513/31-E01CP	100RC31S-C6P1
M83513/31-E01CT	100RC31S-C6T1
M83513/31-E01CW	100RC31S-C6PT1
M83513/31-E01KN	100RK31S-C61
M83513/31-E01KP	100RK31S-C6P1
M83513/31-E01KT	100RK31S-C6T1
M83513/31-E01KW	100RK31S-C6PT1
M83513/31-E01NN	100RN31S-C61
M83513/31-E01NP	100RN31S-C6P1
M83513/31-E01NT	100RN31S-C6T1
M83513/31-E01NW	100RN31S-C6PT1
M83513/31-E01PN	104R31S-C61
M83513/31-E01PP	104R31S-C6P1
M83513/31-E01PT	104R31S-C6T1
M83513/31-E01PW	104R31S-C6PT1
M83513/31-E01TP	100RT31S-C6P1
M83513/31-E01TN	100RT31S-C61
M83513/31-E01TT	100RT31S-C6T1
M83513/31-E01TW	100RT31S-C6PT1
M83513/31-E02AP	100RL31S-C6P2
M83513/31-E02AN	100RL31S-C62
M83513/31-E02AT	100RL31S-C6T2

Mil-Spec	Amphenol
M83513/31-E02AW	100RL31S-C6PT2
M83513/31-E02CN	100RC31S-C62
M83513/31-E02CP	100RC31S-C6P2
M83513/31-E02CT	100RC31S-C6T2
M83513/31-E02CW	100RC31S-C6PT2
M83513/31-E02KN	100RK31S-C62
M83513/31-E02KP	100RK31S-C6P2
M83513/31-E02KT	100RK31S-C6T2
M83513/31-E02KW	100RK31S-C6PT2
M83513/31-E02NN	100RN31S-C62
M83513/31-E02NP	100RN31S-C6P2
M83513/31-E02NT	100RN31S-C6T2
M83513/31-E02NW	100RN31S-C6PT2
M83513/31-E02PN	104R31S-C62
M83513/31-E02PP	104R31S-C6P2
M83513/31-E02PT	104R31S-C6T2
M83513/31-E02PW	104R31S-C6PT2
M83513/31-E02TP	100RT31S-C6P2
M83513/31-E02TN	100RT31S-C62
M83513/31-E02TT	100RT31S-C6T2
M83513/31-E02TW	100RT31S-C6PT2
M83513/31-E03AP	100RL31S-C6P3
M83513/31-E03AN	100RL31S-C63
M83513/31-E03AT	100RL31S-C6T3
M83513/31-E03AW	100RL31S-C6PT3
M83513/31-E03CN	100RC31S-C63
M83513/31-E03CP	100RC31S-C6P3
M83513/31-E03CT	100RC31S-C6T3
M83513/31-E03CW	100RC31S-C6PT3
M83513/31-E03KN	100RK31S-C63
M83513/31-E03KP	100RK31S-C6P3
M83513/31-E03KT	100RK31S-C6T3
M83513/31-E03KW	100RK31S-C6PT3
M83513/31-E03NN	100RN31S-C63
M83513/31-E03NP	100RN31S-C6P3
M83513/31-E03NT	100RN31S-C6T3
M83513/31-E03NW	100RN31S-C6PT3
M83513/31-E03PN	104R31S-C63
M83513/31-E03PP	104R31S-C6P3
M83513/31-E03PT	104R31S-C6T3
M83513/31-E03PW	104R31S-C6PT3
M83513/31-E03TP	100RT31S-C6P3
M83513/31-E03TN	100RT31S-C63
M83513/31-E03TT	100RT31S-C6T3
M83513/31-E03TW	100RT31S-C6PT3
M83513/31-F01AP	100RL37S-C6P1
M83513/31-F01AN	100RL37S-C61
M83513/31-F01AT	100RL37S-C6T1
M83513/31-F01AW	100RL37S-C6PT1

PART NUMBER CROSS REFERENCE

Mil-Spec	Amphenol	Mil-Spec	Amphenol	Mil-Spec	Amphenol
M83513/31-F01CN	100RC37S-C61	M83513/31-F03CP	100RC37S-C6P3	M83513/32-G02CT	100RC51S-C6T2
M83513/31-F01CP	100RC37S-C6P1	M83513/31-F03CT	100RC37S-C6T3	M83513/32-G02CW	100RC51S-C6PT2
M83513/31-F01CT	100RC37S-C6T1	M83513/31-F03CW	100RC37S-C6PT3	M83513/32-G02KN	100RK51S-C62
M83513/31-F01CW	100RC37S-C6PT1	M83513/31-F03KN	100RK37S-C63	M83513/32-G02KP	100RK51S-C6P2
M83513/31-F01KN	100RK37S-C61	M83513/31-F03KP	100RK37S-C6P3	M83513/32-G02KT	100RK51S-C6T2
M83513/31-F01KP	100RK37S-C6P1	M83513/31-F03KT	100RK37S-C6T3	M83513/32-G02KW	100RK51S-C6PT2
M83513/31-F01KT	100RK37S-C6T1	M83513/31-F03KW	100RK37S-C6PT3	M83513/32-G02NN	100RN51S-C62
M83513/31-F01KW	100RK37S-C6PT1	M83513/31-F03NN	100RN37S-C63	M83513/32-G02NP	100RN51S-C6P2
M83513/31-F01NN	100RN37S-C61	M83513/31-F03NP	100RN37S-C6P3	M83513/32-G02NT	100RN51S-C6T2
M83513/31-F01NP	100RN37S-C6P1	M83513/31-F03NT	100RN37S-C6T3	M83513/32-G02NW	100RN51S-C6PT2
M83513/31-F01NT	100RN37S-C6T1	M83513/31-F03NW	100RN37S-C6PT3	M83513/32-G02PN	104R51S-C62
M83513/31-F01NW	100RN37S-C6PT1	M83513/31-F03PN	104R37S-C63	M83513/32-G02PP	104R51S-C6P2
M83513/31-F01PN	104R37S-C61	M83513/31-F03PP	104R37S-C6P3	M83513/32-G02PT	104R51S-C6T2
M83513/31-F01PP	104R37S-C6P1	M83513/31-F03PT	104R37S-C6T3	M83513/32-G02PW	104R51S-C6PT2
M83513/31-F01PT	104R37S-C6T1	M83513/31-F03PW	104R37S-C6PT3	M83513/32-G02TP	100RT51S-C6P2
M83513/31-F01PW	104R37S-C6PT1	M83513/31-F03TP	100RT37S-C6P3	M83513/32-G02TN	100RT51S-C62
M83513/31-F01TP	100RT37S-C6P1	M83513/31-F03TN	100RT37S-C63	M83513/32-G02TT	100RT51S-C6T2
M83513/31-F01TN	100RT37S-C61	M83513/31-F03TT	100RT37S-C6T3	M83513/32-G02TW	100RT51S-C6PT2
M83513/31-F01TT	100RT37S-C6T1	M83513/31-F03TW	100RT37S-C6PT3	M83513/32-G03AP	100RL51S-C6P3
M83513/31-F01TW	100RT37S-C6PT1	M83513/32-G01AP	100RL51S-C6P1	M83513/32-G03AN	100RL51S-C63
M83513/31-F02AP	100RL37S-C6P2	M83513/32-G01AN	100RL51S-C61	M83513/32-G03AT	100RL51S-C6T3
M83513/31-F02AN	100RL37S-C62	M83513/32-G01AT	100RL51S-C6T1	M83513/32-G03AW	100RL51S-C6PT3
M83513/31-F02AT	100RL37S-C6T2	M83513/32-G01AW	100RL51S-C6PT1	M83513/32-G03CN	100RC51S-C63
M83513/31-F02AW	100RL37S-C6PT2	M83513/32-G01CN	100RC51S-C61	M83513/32-G03CP	100RC51S-C6P3
M83513/31-F02CN	100RC37S-C62	M83513/32-G01CP	100RC51S-C6P1	M83513/32-G03CT	100RC51S-C6T3
M83513/31-F02CP	100RC37S-C6P2	M83513/32-G01CT	100RC51S-C6T1	M83513/32-G03CW	100RC51S-C6PT3
M83513/31-F02CT	100RC37S-C6T2	M83513/32-G01CW	100RC51S-C6PT1	M83513/32-G03KN	100RK51S-C63
M83513/31-F02CW	100RC37S-C6PT2	M83513/32-G01KN	100RK51S-C61	M83513/32-G03KP	100RK51S-C6P3
M83513/31-F02KN	100RK37S-C62	M83513/32-G01KP	100RK51S-C6P1	M83513/32-G03KT	100RK51S-C6T3
M83513/31-F02KP	100RK37S-C6P2	M83513/32-G01KT	100RK51S-C6T1	M83513/32-G03KW	100RK51S-C6PT3
M83513/31-F02KT	100RK37S-C6T2	M83513/32-G01KW	100RK51S-C6PT1	M83513/32-G03NN	100RN51S-C63
M83513/31-F02KW	100RK37S-C6PT2	M83513/32-G01NN	100RN51S-C61	M83513/32-G03NP	100RN51S-C6P3
M83513/31-F02NN	100RN37S-C62	M83513/32-G01NP	100RN51S-C6P1	M83513/32-G03NT	100RN51S-C6T3
M83513/31-F02NP	100RN37S-C6P2	M83513/32-G01NT	100RN51S-C6T1	M83513/32-G03NW	100RN51S-C6PT3
M83513/31-F02NT	100RN37S-C6T2	M83513/32-G01NW	100RN51S-C6PT1	M83513/32-G03PN	104R51S-C63
M83513/31-F02NW	100RN37S-C6PT2	M83513/32-G01PN	104R51S-C61	M83513/32-G03PP	104R51S-C6P3
M83513/31-F02PN	104R37S-C62	M83513/32-G01PP	104R51S-C6P1	M83513/32-G03PT	104R51S-C6T3
M83513/31-F02PP	104R37S-C6P2	M83513/32-G01PT	104R51S-C6T1	M83513/32-G03PW	104R51S-C6PT3
M83513/31-F02PT	104R37S-C6T2	M83513/32-G01PW	104R51S-C6PT1	M83513/32-G03TP	100RT51S-C6P3
M83513/31-F02PW	104R37S-C6PT2	M83513/32-G01TP	100RT51S-C6P1	M83513/32-G03TN	100RT51S-C63
M83513/31-F02TP	100RT37S-C6P2	M83513/32-G01TN	100RT51S-C61	M83513/32-G03TT	100RT51S-C6T3
M83513/31-F02TN	100RT37S-C62	M83513/32-G01TT	100RT51S-C6T1	M83513/32-G03TW	100RT51S-C6PT3
M83513/31-F02TT	100RT37S-C6T2	M83513/32-G01TW	100RT51S-C6PT1	M83513/33-H01AP	100RL100S-C6P1
M83513/31-F02TW	100RT37S-C6PT2	M83513/32-G02AP	100RL51S-C6P2	M83513/33-H01AN	100RL100S-C61
M83513/31-F03AP	100RL37S-C6P3	M83513/32-G02AN	100RL51S-C62	M83513/33-H01AU	100RL100S-C6U1
M83513/31-F03AN	100RL37S-C63	M83513/32-G02AT	100RL51S-C6T2	M83513/33-H01AY	100RL100S-C6PU1
M83513/31-F03AT	100RL37S-C6T3	M83513/32-G02AW	100RL51S-C6PT2	M83513/33-H01CN	100RC100S-C61
M83513/31-F03AW	100RL37S-C6PT3	M83513/32-G02CN	100RC51S-C62	M83513/33-H01CP	100RC100S-C6P1
M83513/31-F03CN	100RC37S-C63	M83513/32-G02CP	100RC51S-C6P2	M83513/33-H01CU	100RC100S-C6U1

PART NUMBER CROSS REFERENCE

Mil-Spec	Amphenol
M83513/33-H01CY	100RC100S-C6PU1
M83513/33-H01KN	100RK100S-C61
M83513/33-H01KP	100RK100S-C6P1
M83513/33-H01KU	100RK100S-C6U1
M83513/33-H01KY	100RK100S-C6PU1
M83513/33-H01NN	100RN100S-C61
M83513/33-H01NP	100RN100S-C6P1
M83513/33-H01NU	100RN100S-C6U1
M83513/33-H01NY	100RN100S-C6PU1
M83513/33-H01PN	104R100S-C61
M83513/33-H01PP	104R100S-C6P1
M83513/33-H01PU	104R100S-C6U1
M83513/33-H01PY	104R100S-C6PU1
M83513/33-H01TP	100RT100S-C6P1
M83513/33-H01TN	100RT100S-C61
M83513/33-H01TU	100RT100S-C6U1
M83513/33-H01TY	100RT100S-C6PU1
M83513/33-H02AP	100RL100S-C6P2
M83513/33-H02AN	100RL100S-C62
M83513/33-H02AU	100RL100S-C6U2
M83513/33-H02AY	100RL100S-C6PU2
M83513/33-H02CN	100RC100S-C62
M83513/33-H02CP	100RC100S-C6P2
M83513/33-H02CU	100RC100S-C6U2
M83513/33-H02CY	100RC100S-C6PU2
M83513/33-H02KN	100RK100S-C62
M83513/33-H02KP	100RK100S-C6P2
M83513/33-H02KU	100RK100S-C6U2
M83513/33-H02KY	100RK100S-C6PU2
M83513/33-H02NN	100RN100S-C62
M83513/33-H02NP	100RN100S-C6P2
M83513/33-H02NU	100RN100S-C6U2
M83513/33-H02NY	100RN100S-C6PU2
M83513/33-H02PN	104R100S-C62
M83513/33-H02PP	104R100S-C6P2
M83513/33-H02PU	104R100S-C6U2
M83513/33-H02PY	104R100S-C6PU2
M83513/33-H02TP	100RT100S-C6P2
M83513/33-H02TN	100RT100S-C62
M83513/33-H02TU	100RT100S-C6U2
M83513/33-H02TY	100RT100S-C6PU2
M83513/33-H03AP	100RL100S-C6P3
M83513/33-H03AN	100RL100S-C63
M83513/33-H03AU	100RL100S-C6U3
M83513/33-H03AY	100RL100S-C6PU3
M83513/33-H03CN	100RC100S-C63
M83513/33-H03CP	100RC100S-C6P3
M83513/33-H03CU	100RC100S-C6U3
M83513/33-H03CY	100RC100S-C6PU3

Mil-Spec	Amphenol
M83513/33-H03KN	100RK100S-C63
M83513/33-H03KP	100RK100S-C6P3
M83513/33-H03KU	100RK100S-C6U3
M83513/33-H03KY	100RK100S-C6PU3
M83513/33-H03NN	100RN100S-C63
M83513/33-H03NP	100RN100S-C6P3
M83513/33-H03NU	100RN100S-C6U3
M83513/33-H03NY	100RN100S-C6PU3
M83513/33-H03PN	104R100S-C63
M83513/33-H03PP	104R100S-C6P3
M83513/33-H03PU	104R100S-C6U3
M83513/33-H03PY	104R100S-C6PU3
M83513/33-H03TP	100RT100S-C6P3
M83513/33-H03TN	100RT100S-C63
M83513/33-H03TU	100RT100S-C6U3
M83513/33-H03TY	100RT100S-C6PU3

MICRO-D

Mouser Electronics

Authorized Distributor

Click to View Pricing, Inventory, Delivery & Lifecycle Information:

[Amphenol:](#)

[M83513/04-C03N](#) [MBS-25N-EA90M5](#) [MBS-25N-EA00M5](#) [MBS-15C-EA00P](#) [MBS-21C-EA00P](#) [MBS-25C-EA00P](#)
[M83513/31-B03CT](#) [M83513/04-G04C](#) [M83513/03-F04N](#) [M83513/04-F09N](#) [M83513/04-G07C](#) [M83513/04-G09N](#)
[M83513/04-H01C](#) [M83513/03-D09C](#) [M83513/13-E01CP](#) [M83513/10-D01CP](#) [M83513/22-B01NP](#) [M83513/10-A02NW](#)
[M83513/14-G02CP](#) [M83513/03-D13C](#) [M83513/25-E02NP](#) [M83513/08-E03](#) [M83513/25-E01CP](#) [M83513/03-F14N](#)
[M83513/04-F04N](#) [M83513/04-A07N](#) [M83513/04-A04C](#) [M83513/03-G03C](#) [M83513/03-F03C](#) [M83513/03-E11N](#)
[M83513/03-E03N](#) [M83513/09-B04](#) [M83513/03-C03C](#) [M83513/07-D](#) [M83513/25-B01CP](#) [M83513/04-B04C](#)
[M83513/16-F01CP](#) [M83513/16-B01CP](#) [M83513/16-A01CP](#) [M83513/13-C01CP](#) [M83513/10-E01CP](#) [M83513/10-](#)
[B01CP](#) [M83513/03-B01N](#) [M83513/03-A08C](#) [M83513/03-A02C](#) [M83513/03-D11N](#) [M83513/25-A02NP](#) [M83513/19-](#)
[D01CP](#) [M83513/27-H02CP](#) [M83513/28-F02NN](#) [M83513/03-G15N](#) [M83513/10-A01CP](#) [M83513/26-G01CP](#)
[M83513/09-E03](#) [M83513/06-D](#) [M83513/10-A01NP](#) [M83513/23-G02NN](#) [M83513/25-C01CP](#) [M83513/25-D02CP](#)
[M83513/25-F02CP](#) [M83513/13-B03NW](#) [M83513/25-D02CW](#) [M83513/28-A02CW](#) [M83513/28-C02CW](#) [M83513/22-](#)
[D02CW](#) [M83513/20-G02NW](#) [MBS-51N-EG90](#) [MBS-51N-EG90M5](#) [MBS-51N-EG90M6](#) [MBS-51N-EG90P](#) [MBS-51N-](#)
[EF90M6](#) [MBS-51N-EF90P](#) [MBS-51N-EG00](#) [MBS-51N-EG00M5](#) [MBS-51N-EG00M6](#) [MBS-51N-EG00P](#) [MBS-51N-](#)
[EF00](#) [MBS-51N-EF00M5](#) [MBS-51N-EF00M6](#) [MBS-51N-EF00P](#) [MBS-51N-EF90](#) [MBS-51N-EF90M5](#) [MBS-51N-](#)
[EE00M6](#) [MBS-51N-EE00P](#) [MBS-51N-EE90](#) [MBS-51N-EE90M5](#) [MBS-51N-EE90M6](#) [MBS-51N-EE90P](#) [MBS-51N-](#)
[ED90](#) [MBS-51N-ED90M5](#) [MBS-51N-ED90M6](#) [MBS-51N-ED90P](#) [MBS-51N-EE00](#) [MBS-51N-EE00M5](#) [MBS-51N-](#)
[EC90M6](#) [MBS-51N-EC90P](#) [MBS-51N-ED00](#) [MBS-51N-ED00M5](#) [MBS-51N-ED00M6](#) [MBS-51N-ED00P](#)