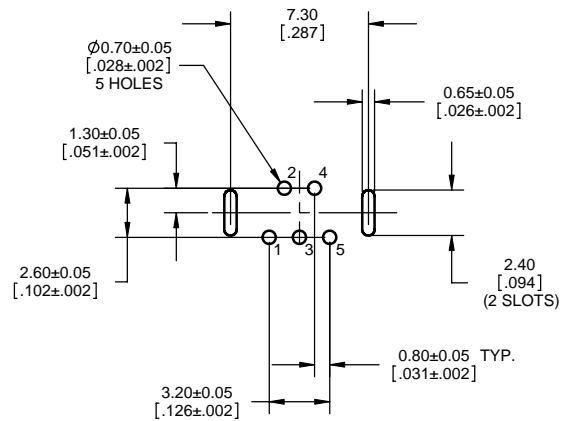
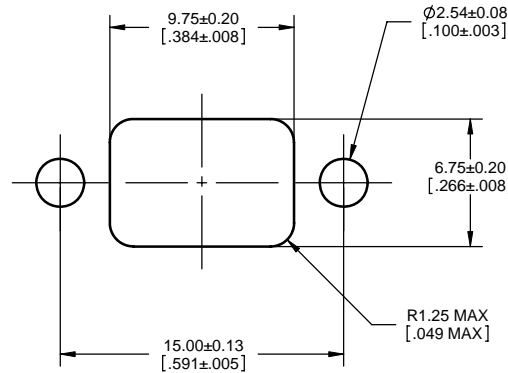


**NOTES:**

- MATERIAL:**  
 ALL MATERIALS ARE RoHS COMPLIANT PER EU DIRECTIVE 2002/95/EC AND AMENDMENTS  
 - OUTER SHELL: DIECAST ZINC ALLOY, NICKEL PLATED  
 - CONTACTS: PHOSPHOR BRONZE, PLATED WITH 0.76 MICRONS [30u"] GOLD OVER 1.27 MICRONS [50u"] MINIMUM NICKEL ON THE MATING AREA WITH GOLD FLASH OVER NICKEL ON THE TAILS.  
 - USB HOUSING: ENGINEERING THERMOPLASTIC, FLAMMIBILITY RATING UL94V-0, BLACK.  
 - USB SHELL: COPPER ALLOY, NICKEL PLATED  
 - GASKET: GE TOSHIBA CONDUCTIVE SILICONE RUBBER, HARDNESS 75 TYPE A, VOLUME RESISTIVITY 2 OHM-CM, BLACK.
- ENVIRONMENTAL PERFORMANCE PER IEC 60529 CODE IP67 FOR SEAL BETWEEN MATING AREA AND PCB SIDE OF CONNECTOR. GASKET PROVIDES SEAL TO INSIDE FACE OF ENCLOSURE PANEL.**
- CURRENT RATING: 1 AMPERE.**
- CONTACT RESISTANCE: 50 MILLIOHMS MAXIMUM.**
- OPERATING TEMPERATURE: -40°C TO +105°C.**
- AVAILABLE MATING AREA COVERS PROVIDE ADDED PROTECTION. CONSULT WITH AMPHENOL CANADA FOR DETAILS.**



**RECOMMENDED P.C.B. LAYOUT**



**RECOMMENDED PANEL CUTOUT**

**AMPHENOL PART NUMBER: MUSB-B551-041.**

|  |                   |          |  |                          |              |
|--|-------------------|----------|--|--------------------------|--------------|
| UNLESS OTHERWISE SPECIFIED DIMENSIONS ARE IN MILLIMETER TOLERANCES ARE:<br><br>DECIMALS .XX ± .X ±<br>ANGLES ± | APPROVALS         | DATE     | <b>Amphenol Canada Corp.</b>   |                          |              |
|  | DRAWN M. LEUNG    | JUN09/08 |  |                          |              |
|  | DESIGNED          |          | TITLE  |                          |              |
|  | CHECKED K. LAMBIE | JUN09/08 | MUSB SERIES RUGGED MINI-B USB RECEPTACLE, VERTICAL PCB MOUNT, SPECIAL CONDUCTIVE RUBBER GASKET, RoHS COMPLIANT |                          |              |
| MATERIAL AND FINISH  | QA APP'D          |          | SIZE C   | DWG. NO. P-MUSB-B551-041 | REV. A       |
| REF.   | IE APP'D          |          | SCALE 4:1  | PROJECT MUSB             | SHEET 1 OF 1 |
| CODE IDENT. NO.  | DWG APP'D         |          |  |                          |              |

# Mouser Electronics

Authorized Distributor

Click to View Pricing, Inventory, Delivery & Lifecycle Information:

[Amphenol:](#)

[MUSB-B551-041](#)