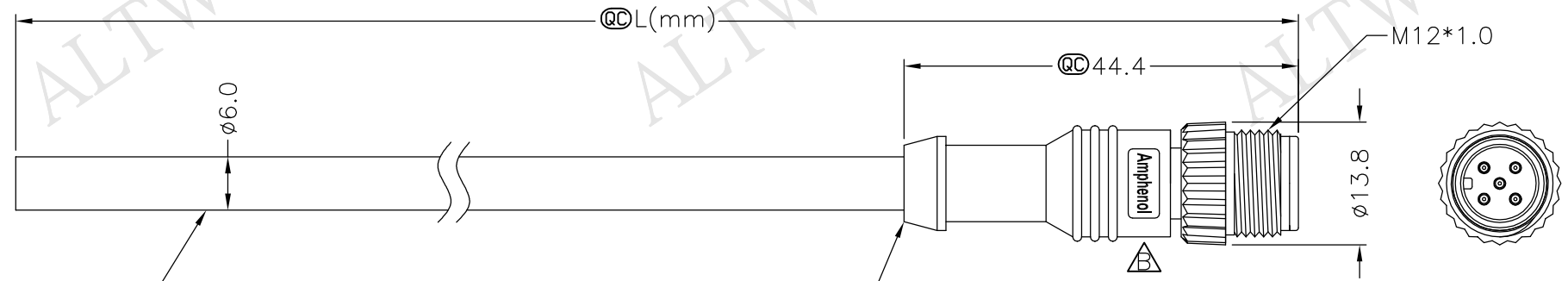


REV.	ECN NO.	DATE	SIGN	DESCRIPTION
B	LEN1670055~058	2016/06/30	Vicky	Update Logo & Note



Cable ②

12P-05BMMM-SL8000 ①
Color: Black

Conn.

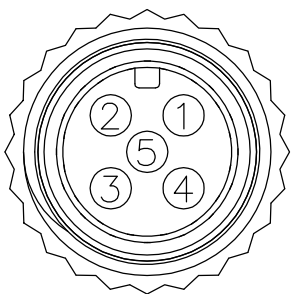
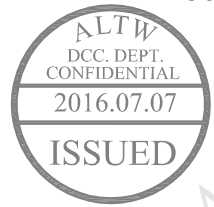
MCP-05BMMM-SL8AXX

XX :01~99Meters
 01 :01Meter
 02 :02Meters
 :
 :
 99 :99Meters

Cable Length(L):01~99Meters

Note:

- * Ⓞ Important Dimension.
- * Waterproof Rate: IP68
 IP68: 1M Depth Of Water In 24hours
- * Connector: Polyurethane (PU), Black
- * Male Pin: Copper Alloy, Gold Plated
- * Cable: (24AWG*1P+Al)+(22AWG*1P+Al)
 +Drain+Al.Mylar+Braid, OD=6.0mm
- * Cable Length Tolerance: 1M:±40mm
 02M~05M:±60mm
 06M~10M:±100mm
 11M~30M:±200mm
 31M~99M:±500mm



Pin Assignments
Front View

5	Blue	(24AWG)	藍	Twist
4	White	(24AWG)	白	
3	Black	(22AWG)	黑	Twist
2	Red	(22AWG)	紅	
1	Shield	(22AWG)		
Conn.	Wire Color			
	Pin Out			

UNIT:mm	
TOLERANCE	±0.5 mm

TITLE		M12P Conn NMEA	
Cable Screw 5Pin M Conn M Pin			
SCALE	Free	SHEET	1 OF 1
REV.	B	SIZE	A4
Ⓞ :Inspection Item			

Amphenol LTW
 安費諾亮泰企業股份有限公司

ITEM NO	DRAWN BY	DATE
DWG NO	CHECKED BY	DATE
CUSTOMER	APPROVED BY	DATE
	Vicky	2016/06/30
MCP-05BMMM-SL8AXX	Rita	2016/06/30
ALTW	Lisa	2016/06/30

THIS DOCUMENT IS SUBJECT TO CHANGE WITHOUT NOTICE. IT IS CONFIDENTIAL AND A PROPERTY OF Amphenol LTW. DISCLOSURE TO THIRD PARTY HAS TO BE AUTHORIZED BY Amphenol LTW.

F
E
D
C
B
A

1 2 3 4 5 6 7 8

Mouser Electronics

Authorized Distributor

Click to View Pricing, Inventory, Delivery & Lifecycle Information:

[Amphenol:](#)

[MCP-05BMMM-SL8A01](#) [MCP-05BMMM-SL8A02](#) [MCP-05BMMM-SL8A05](#) [MCP-05BMMM-SL8A10](#)