

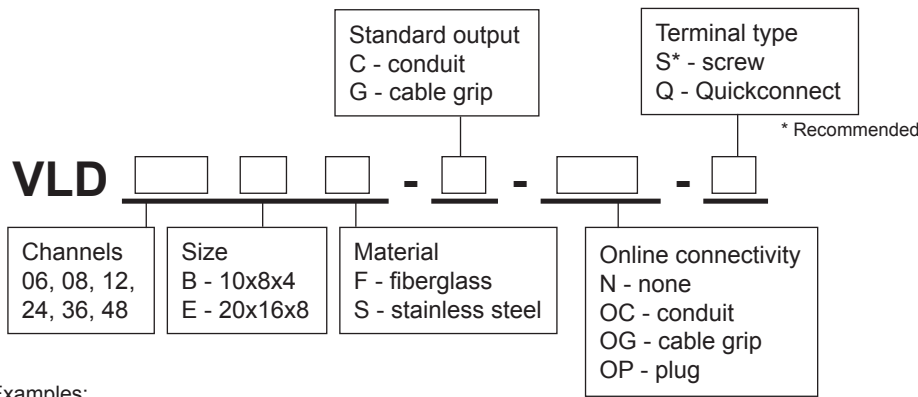
Dual output switchable junction boxes

VLD series

VLD enclosures are configurable, allowing users to choose exactly what's needed for any application. VLD models feature an industry-first data ready light indicating that sensor BOV levels have stabilized, minimizing data collection time and helping ensure reliable data. For online monitoring, optional terminal strip connectors are available.



Ordering guide



Examples:

- VLD06BF-C-OG-S:** 6 channel switchbox, fiberglass 10x8x4 enclosure with screw terminals and conduit outputs, online connectivity with cable grip output
- VLD24ES-G-OP-Q:** 24 channel switchbox, stainless steel 20x16x8 enclosure with Quickconnect terminals and cable grip outputs, online connectivity with plugged hole output

Key features

- Data ready light for efficient data collection
- Customizable - tailored to your application
- Up to 48 channels and up to 4 boards
- Base or expandable size
- For use with dual output sensors
- NEMA 4/4X ratings
- Manufactured in an approved ISO 9001 facility

Certifications



Note: Due to continuous process improvement, specifications are subject to change without notice. This document is cleared for public release.

Dual output switchable junction boxes

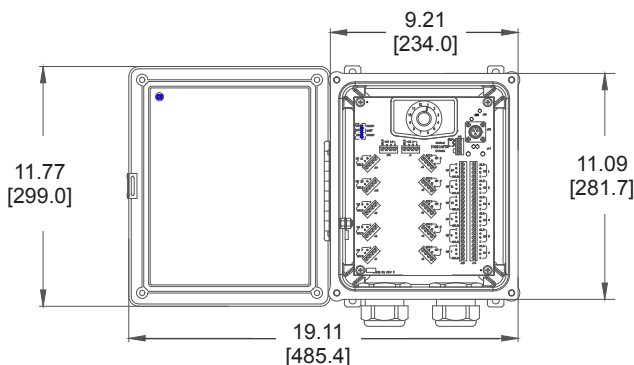
VLD series

SPECIFICATIONS

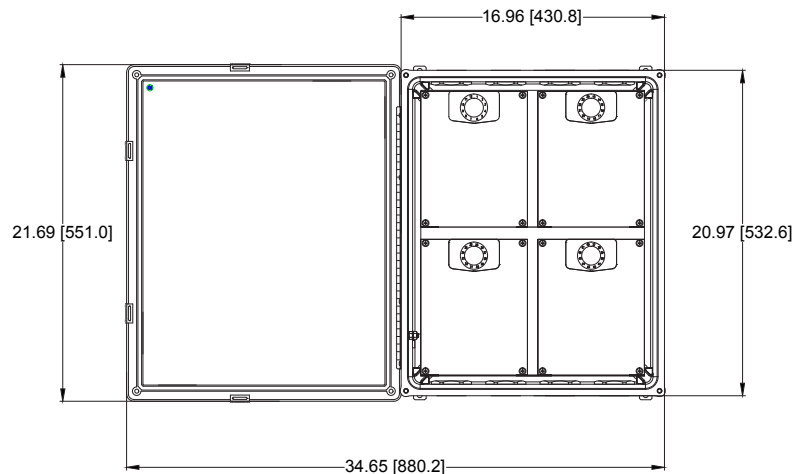
Channels, user-selected	6, 8, 12, 24, 36, 48
Output connector	3 pin, MIL-C-5015 style
Material, user-selected	fiberglass or stainless steel
Dimensions	10 x 8 x 4 in. (6-12 channels, non-expandable) 20 x 16 x 8 in. (12-48 channels, expandable)
Hinge	stainless steel continuous weld
Latch	stainless steel butterfly knob
Input/output fittings, user-selected	cable grips or conduit
Terminal block connectors	4 positions per channel
Online connectors (optional)	multi-pin, removable
Rating:	fiberglass NEMA 4X/IP66 stainless steel NEMA 4/IP66
Mounting	4 stainless steel feet (fiberglass models include configurable feet)
Sensor support	dual output (acceleration and temperature)
Data setting time, variable, indicated by data ready LED	green: stable BOV yellow: BOV stabilizing red: error detected
Channel selector	12 position dial switch, differential switching

Accessories supplied: Transducer location log; mounting feet; grounding lug; cable grip plugs (if applicable)

Standard model (6-12 channels)



Expandable model (12-48 channels)



Note: Due to continuous process improvement, specifications are subject to change without notice. This document is cleared for public release.

Mouser Electronics

Authorized Distributor

Click to View Pricing, Inventory, Delivery & Lifecycle Information:

[Amphenol:](#)

[VLD48ES-G-N-S](#) [VLD12ES-G-N-S](#) [VLD48EF-G-N-S](#) [VLD24EF-G-N-S](#) [VLD24ES-G-N-S](#) [VLD36ES-G-N-S](#)
[VLD12BS-G-N-S](#) [VLD06BF-G-N-S](#) [VLD08BS-G-N-S](#) [VLD06BS-G-N-S](#) [VLD08BF-G-N-S](#) [VLD12BF-G-N-S](#) [VLD12EF-](#)
[G-N-S](#) [VLD36EF-G-N-S](#)