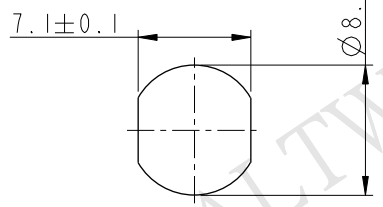
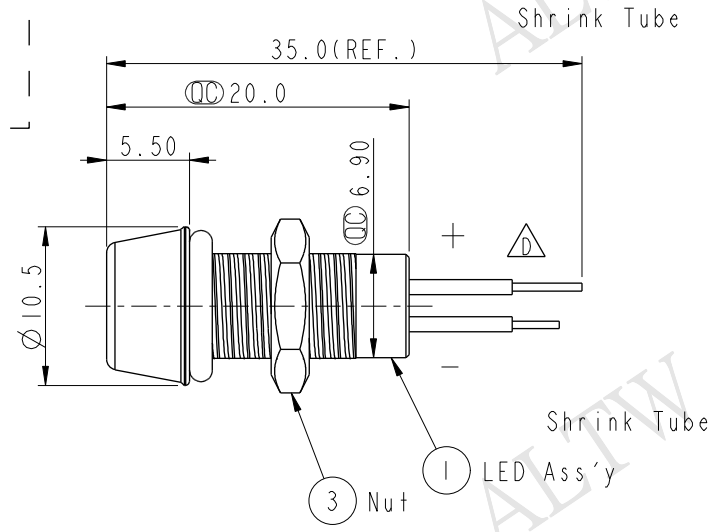
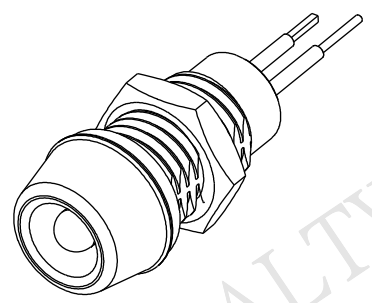


THIS DOCUMENT IS SUBJECT TO CHANGE WITHOUT NOTICE. IT IS CONFIDENTIAL AND A PROPERTY OF Amphenol LTW. DISCLOSURE TO THIRD PARTY HAS TO BE AUTHORIZED BY Amphenol LTW.

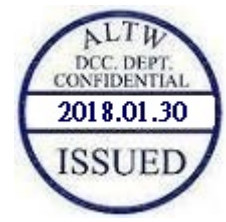
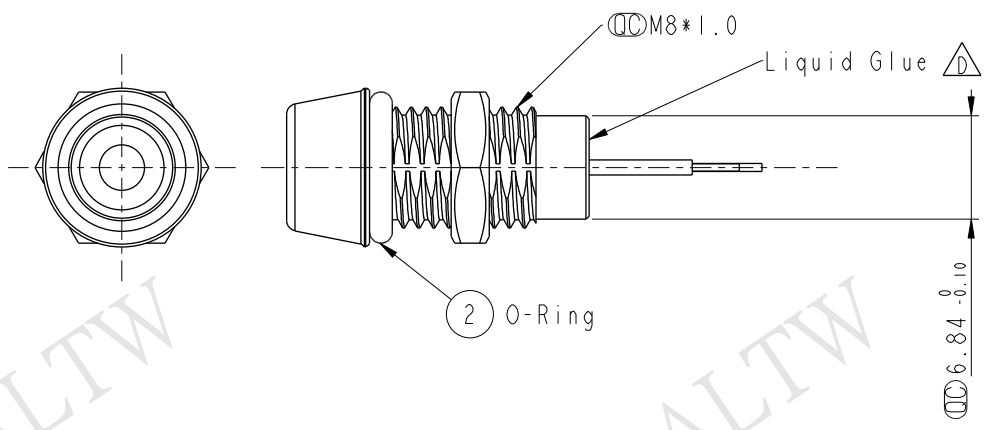
REV.	ECN NO.	DATE	SIGN	DESCRIPTION
C	LEN-930471	2009/03/04	ZhaoRongFu	Add Waterproof Rate
D	LEN1810175	2018/01/08	Mark	Change Note & Shrink Tube



Recommended Panel Cut-Out



- Notes:
- * (M) Important Dimension To Check
 - * Waterproof Rate: IP67
 - * LED Spec.
 - ∅ 3 mm, Green
 - Lens Color: Water Clear
 - Viewing Angle: 30°
 - Absolute Maximum Rating (@25°C);
 - * Power Dissipation: 114mW
 - * Forward Current (IF): 30mA
 - * Reverse Voltage (VR): 5V
 - Forward Voltage (VF): typ. 3.3V (@IF=20mA, 25°C)
 - Luminous Intensity (IV): typ. 10000mcd (@IF=20mA, 25°C)
 - * Internal Current Limiting Resistor: 47Ω
 - * Recommended Operating Voltage: DC 4V
 - * LED Holder: Copper Alloy, Nickel Plating
 - * O-Ring: EPDM, Black
 - * Screw Nut: Copper Alloy, Nickel Plating
 - * Operating Temperature: -40~+80°C
 - * Panel Thickness: 6.5mm max.



UNIT: mm		
TOLERANCE	.X ±0.25	
.XX	±0.1	
.XXX	±0.05	
ANGLES	±1°	

TITLE Waterproof Led (∅3mm) Green, Solder Type			
SCALE 2:1	SIZE A4	SHEET 1 OF 1	
REV. D	WC-REV. .0	QC: Inspection item	

Amphenol LTW
安費諾亮泰企業股份有限公司

ITEM NO. L08-01GAAS-MR7001	DRAWN BY Mark	DATE 2018/01/08
DWG NO. L08-01GAAS-MR7001	CHECKED BY Neo	DATE 2018/01/08
CUSTOMER ALTW	APPROVED BY Max	DATE 2018/01/08

Mouser Electronics

Authorized Distributor

Click to View Pricing, Inventory, Delivery & Lifecycle Information:

[Amphenol:](#)

[L08-01GAAS-MR7001](#)