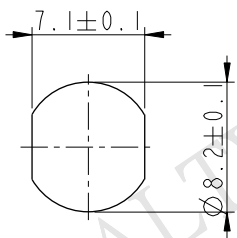
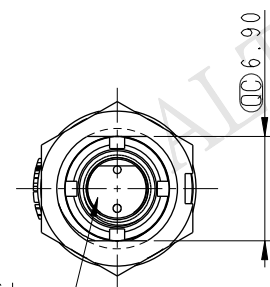
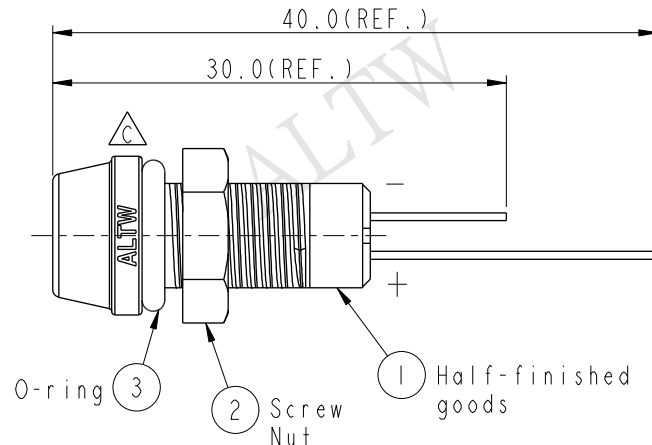
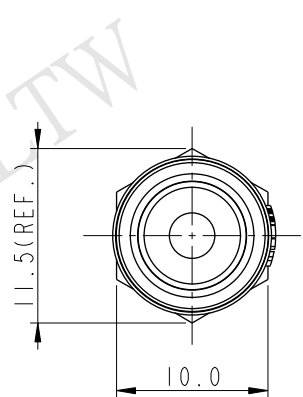
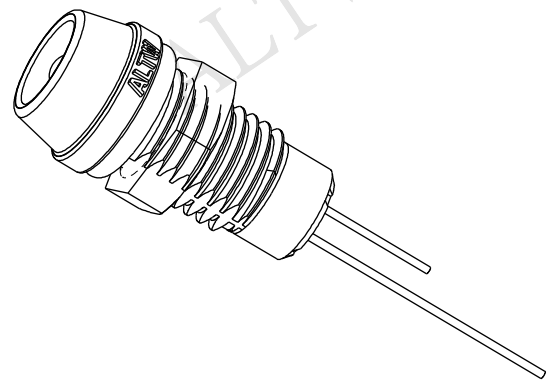
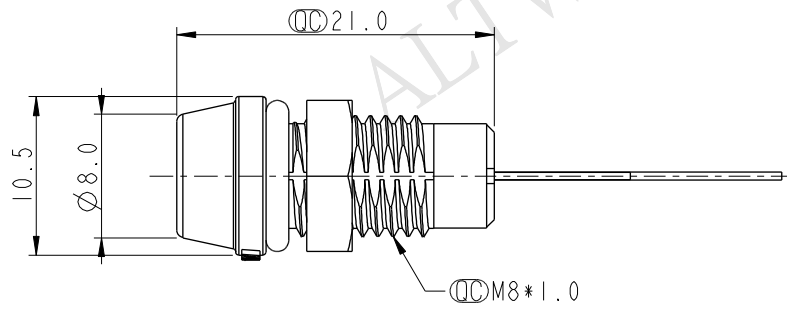


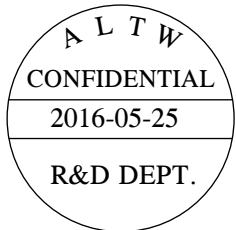
REV.	ECN NO.	DATE	SIGN	DESCRIPTION
B	LEN-930469	2009/03/04	ZhaoRongFu	Add Waterproof Rate
C	LEN1650814	2016/05/25	Ruru	Change Logo



Recommended Panel Cut-Out



Liquid Glue



- Notes:
- \*  $\varnothing$  Important Dimension To Check
  - \*  $\Delta$  Waterproof Rate: IP67
  - \* LED Holder: PC+ABS, Black
  - \* LED:  $\varnothing$ 3 mm, Blue(高亮度)
  - \* O-ring: EPDM, Black
  - \* Screw Nut: Nylon+GF
  - \* Operating Voltage: DC 4V
  - \* Operating Temperature: -40~+80°C
  - \* For Panel Thickness 6.5mm Max.

UNIT:mm TOLERANCE .X ±0.25 .XX ±0.1 .XXX ±0.05 ANGLES ±1°	TITLE $\varnothing$ 3mm Plastic LED ,Blue		<b>Amphenol LTW</b> 安費諾亮泰企業股份有限公司		ITEM NO L08-01BAAS-PR7001	DRAWN BY Ruru	DATE 2016-05-25	
	SCALE 2:1	SIZE A4	SHEET 1 OF 1	DWG NO L08-01BAAS-PR7001	CHECKED BY Rita	DATE 2016-05-25	APPROVED BY Lisa	DATE 2016-05-25
	REV. C	WC-REV. A.3	$\varnothing$ : Inspection item	CUSTOMER ALTW	APPROVED BY Lisa	DATE 2016-05-25	DATE 2016-05-25	DATE 2016-05-25

THIS DOCUMENT IS SUBJECT TO CHANGE WITHOUT NOTICE. IT IS CONFIDENTIAL AND A PROPERTY OF Amphenol LTW. DISCLOSURE TO THIRD PARTY HAS TO BE AUTHORIZED BY Amphenol LTW.

# Mouser Electronics

Authorized Distributor

Click to View Pricing, Inventory, Delivery & Lifecycle Information:

[Amphenol:](#)

[L08-01BAAS-PR7001](#)