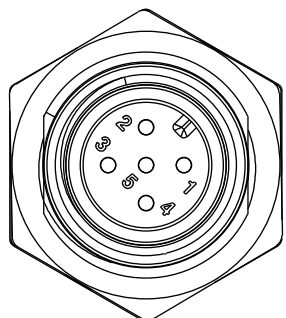
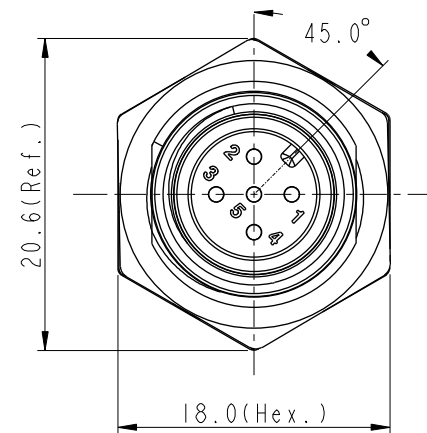
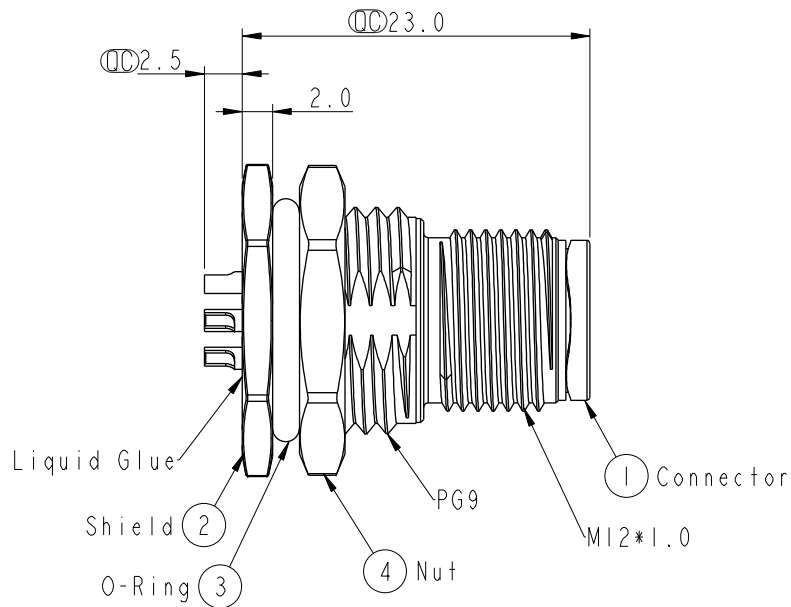
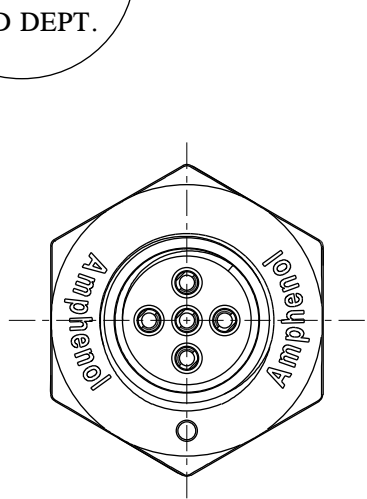
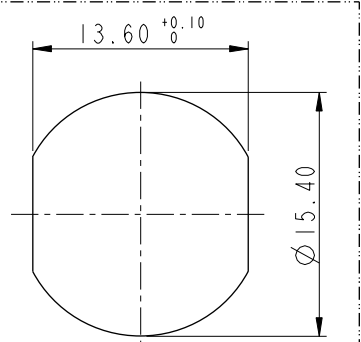


ALTW  
CONFIDENTIAL  
2019-04-09  
R&D DEPT.

REV.	ECN NO.	DATE	SIGN	DESCRIPTION
A	Initial Release	2017/03/30	Frank Deng	Change Rev.01 To Rev.A
B	LEN1770183	2017/07/03	Frank Deng	Change Note
C	CI90517	2019/04/09	Vicky	Change Note



Pin Assignments  
Front View



Recommended  
Panel Cut-Out

- Note:**
- \*  $\varnothing$  Important Dimension.
  - \* Waterproof Rate: IP68, Unmated.  
IP68: 1M Depth Of Water In 24hours.
  - \* Housing: Thermoplastic, Black.
  - \* Pin: Copper Alloy, Gold Plated.
  - \* Shield: Metal, Nickel Plated.
  - \* Nut: Metal, Nickel Plated.
  - \* O-Ring: Rubber, Gray.
  - \* For Panel Thickness Max 4.5mm.
  - \* Nut are packed separately in PE bags.

UNIT:mm	
TOLERANCE	
.X	$\pm 0.25$
.XX	$\pm 0.1$
.XXX	$\pm 0.05$
ANGLES	$\pm 1^\circ$

TITLE NMEA2000, MICRO-C, PANEL, SOLDER 5PIN, M CONN M PIN, METAL			
SCALE 2:1	SIZE A4	SHEET 1 OF 1	
REV. C	WC-REV. A.2	$\varnothing$ : Inspection item	

**Amphenol LTW**  
安費諾亮泰企業股份有限公司

ITEM NO HMC-05PMMS-SF8001	DRAWN BY Vicky	DATE 2019-04-09
DWG NO HMC-05PMMS-SF8001	CHECKED BY Rita	DATE 2019-04-09
CUSTOMER ALTW	APPROVED BY Max	DATE 2019-04-09

THIS DOCUMENT IS SUBJECT TO CHANGE WITHOUT NOTICE. IT IS CONFIDENTIAL AND A PROPERTY OF Amphenol LTW. DISCLOSURE TO THIRD PARTY HAS TO BE AUTHORIZED BY Amphenol LTW.

# Mouser Electronics

Authorized Distributor

Click to View Pricing, Inventory, Delivery & Lifecycle Information:

[Amphenol:](#)

[HMC-05PMMS-SF8001](#)