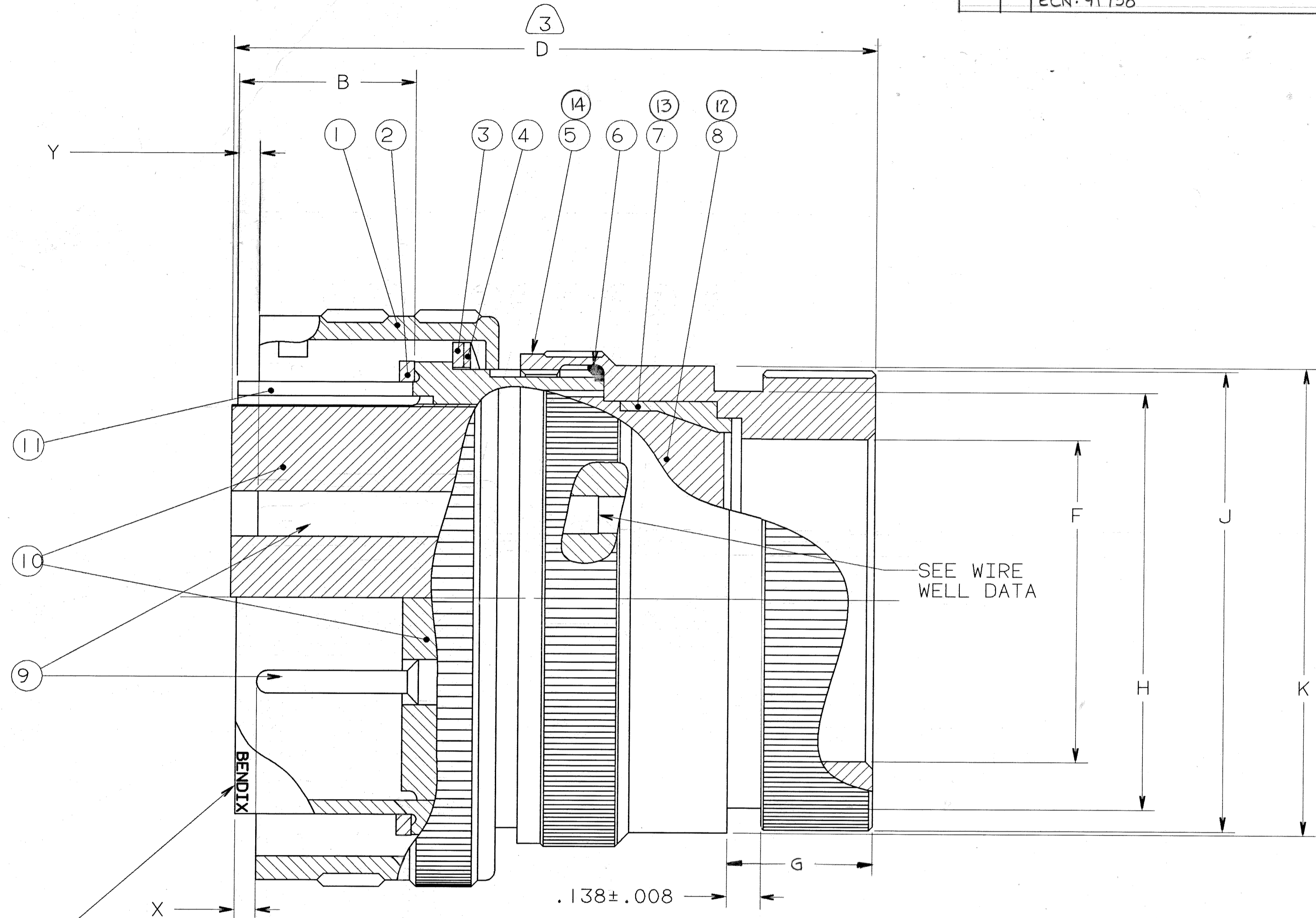
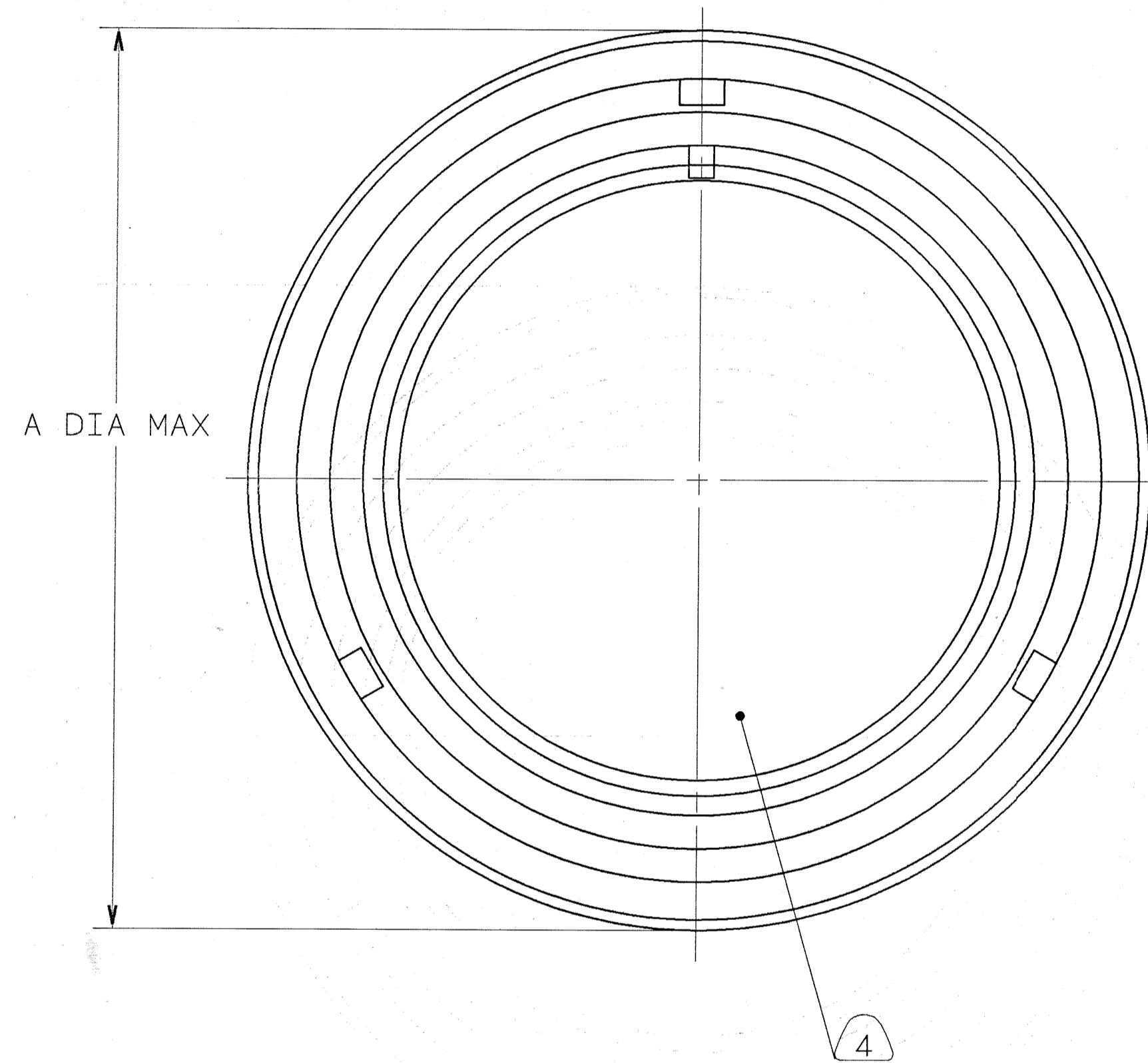


CONTACT SIZE	SHELL SIZE	X	Y ±.040
16 SHORT	10SL, 14S, 16S	.087±.039	.079
16 LONG	16 THRU 40	.260 ⁺ .052 .041	.102
12	16 THRU 40	.118 ⁺ .039 .056	.102
4,8,0	16 THRU 40	.091±.039	.102



BLACK INK STAMP PER 9-3856-5 "BENDIX", GT NUMBER (SEE COLUMN) & DATE CODE (9-3895) CHARACTERS TO BE .062-.094 HIGH.
EXAMPLE:
BENDIX GTC06G22-21P 8944

REVISIONS				
ZONE	LTR	DESCRIPTION	DATE	APPROVED
	A	INITIAL RELEASE NUM: 70089-323		
	B	(CLII) SEE CHG NOTICE ECN: 26788	12/19/91 Prescott	<i>p.j.</i>
	C	WAS 10-581821-XX3 (TEM 14) ECN: 27190	10-26-92 SNYDER	<i>j.e.s.</i>
	D	(CLII) SEE ECN 27845	7-14-93 BRILL	<i>A. Brillian</i>
	E	(CLII) SEE ECN 28347	12-22-93 SNYDER	<i>j.e.s.</i>
	F	(CLII) SEE CHG NOTICE ECN: 91738	2-24-03 Prescott	

14	1	10-581822-XX3	ADAPTER	3,13
13	1	10-581819-XX1	SLEEVE	13
12	1	SEE COLUMN	GROMMET	12,13
11	1	SEE COLUMN	SHELL	
10	1	10-748XX-XXX	INSERT	
9		SEE NOTE 10	CONTACT	
8	1	10-607XX-XX	GROMMET	14
7	1	10-564869-XX	SLEEVE, COMPRESSION	14
6	1	10-101379-XX1	GASKET	9
5	1	10-564846-XX3	ADAPTER	3,14
4	1	10-564859-XX	WAVED, WASHER	
3	1	10-564860-XX	WASHER, SKID	
2	1	10-564843-XX1	GASKET	
1	1	10-564856-XX3	COUPLING NUT	

UNLESS OTHERWISE SPECIFIED
LINEAR DIMENSIONS ARE IN INCHES.
TOLERANCES: .XXX±.010,
.XX ±.03, .X ±.1, ANGLES ±2°.
OTHER STANDARDS PER 9-3800
AND DOD-D-1000. NOTE REF = **XX**

COMPANY ID: 2
CODED/MS/CUST: Y
INTERNAL: N
LOTNO: N
DATE CODE: 9-3895
SEE PRINT: N

N/A
N/A
NEXT ASSEMBLY

FIND NO.	QTY RECD.	FSCM NO.	PART NUMBER	DESCRIPTION	NOTE REF.
SPECIFICATIONS					
MATERIAL SPEC.		SIGNATURES		DATES	
N/A		<i>Prescott</i>		1/30/90	
PROCESS SPEC.		CHECKED		1/30/90	
SEE NOTE 5		<i>[Signature]</i>		1/30/90	
		APPROVED		1/30/90	
		<i>[Signature]</i>		1/30/90	
PARTS LIST					
AMPHENOL CORPORATION BENDIX CONNECTOR OPERATIONS SIDNEY, N.Y.					
CONNECTOR, ELECTRICAL, PLUG, REVERSE BAYONET COUPLING, TYPE GTC06G()-(), SOLDERLESS					
SIZE		FSCM NO.		REV.	
D 77820		71-580330/349		F	
71-580341-21G SCALE: NONE WT. REF: 71-580450/469 SHEET 1 OF 2					

SEE SHEET 2.

NOTES:

THE USE OF THIS DOCUMENT IS UNLIMITED. HOWEVER, DOCUMENTS REFERENCED HEREON MAY CONTAIN LIMITED RIGHTS DATA.

ASSEMBLY NUMBER	SHELL SIZE	GT NUMBER	SHELL	A DIA MAX	B ±.005	D MAX	F DIA MIN	G ±.020	H DIA MAX	J DIA ±.008	K DIA ±.008	GROMMET PART NUMBER
71-580330-()	8S	NOT AVAILABLE										
71-580331-()	10S	NOT AVAILABLE										
71-580332-()	10SL	GTC06G10SL-()	10-580915-113	.897	.531	1.969	.303	.461	.524	.610	.669	10-581825-()
71-580333-()	12S	NOT AVAILABLE										
71-580334-()	12	NOT AVAILABLE										
71-580335-()	14S	GTC06G14S-()	10-37266-14	1.150	.531	1.969	.417	.461	.669	.752	.791	10-581827-()
71-580336-()	14	NOT AVAILABLE										
71-580337-()	16S	GTC06G16S-()	10-37266-16	1.300	.531	1.969	.531	.461	.862	.941	.925	10-581829-()
71-580338-()	16	GTC06G16-()	10-37266-17	1.300	.719	2.362	.531	.453	.862	.941	.925	10-581830-()
71-580339-()	18	GTC06G18-()	10-37266-18	1.437		2.362	.637	.453	.862	.941	1.043	10-581831-()
71-580340-()	20	GTC06G20-()	10-37266-20	1.571		2.559	.736	.500	1.031	1.165	1.189	10-581832-()
71-580341-()	22	GTC06G22-()	10-37266-22	1.697		2.559	.877	.500	1.031	1.165	1.323	10-581833-()
71-580342-()	24	GTC06G24-()	10-37266-24	1.835		2.559	.969	.500	1.358	1.488	1.421	10-581834-()
71-580343-()	28	GTC06G28-()	10-37266-28	2.102		2.559	1.094	.500	1.358	1.488	1.630	10-581835-()
71-580344-()	32	GTC06G32-()	10-37266-32	2.366		2.756	1.392	.598	1.717	1.882	1.913	10-581836-()
71-580345-()	36	GTC06G36-()	10-37266-36	2.610		3.150	1.539	.598	1.717	1.882	2.157	10-581837-()
71-580346-()	40	GTC06G40-()	10-37266-40	2.850		3.150	1.898	.610	2.071	2.276	2.402	10-581838-()
71-580347/349		NOT AVAILABLE										

TO COMPLETE, ADD APPLICABLE INSERT ARRANGEMENT SUFFIX PER 9-2437

SEE NOTE 12

WIRE WELL DATA					
CONTACT SIZE	0	4	8	12	16
WELL DIA	.453±.005	.281 +.005 -.004	.179 +.004 -.002	.098 +.004 -.001	.063 +.004 -.001
WELL DEPTH	+.031 -.000	.592	.500	.500	.250

7. FOR MATING CONNECTOR ASSEMBLIES, SEE 71-580960/979 & OTHERS.
6. SEE WORK ORDER FOR PERMISSIBLE ADDITIONAL OR ALTERNATE STAMPING.
5. PROCESS SPEC:
ASSY 9-9238
TEST 9-3106-18
9-3856-5, 9-3895, 9-2437, 9-1936
4. INSERTS ARE NOT REMOVABLE.
3. DRAWING ILLUSTRATES FINAL ASSEMBLY. FOR STORAGE & SHIPPING, ADAPTER MUST BE LOOSELY COUPLED. CONTACTS ARE SHIPPED UNASSEMBLED.
2. FOR CONTACT SIZE, SPACING & SERVICE RATING, SEE MIL-STD-1651 OR L-11908-()/L-11948-().
1. UNITS MEET THE APPLICABLE REQUIREMENTS OF MIL-C-5015.

14. INDICATED ITEMS, F/NS 5, 7, & 8, ARE APPLICABLE TO CONNECTORS CONTAINING CONTACT ARRANGEMENTS OTHER THAN THOSE SPECIFIED IN NOTE 13.
13. INDICATED ITEMS, F/NS 12, 13 & 14, ARE APPLICABLE TO CONNECTORS CONTAINING CONTACT ARRANGEMENTS WITH SIZES 4, & 8.
12. TO COMPLETE INDICATED GROMMET PART NO., ADD APPLICABLE ARRANGEMENT SUFFIX.
11. PACKAGE PER PRODUCTION PROCESS SHEET.
10. SEE SEPARATE PARTS LIST FOR COMPONENT PART NUMBERS AND QUANTITIES.
9. APPLY A LIGHT FILM OF LUBRICANT 9-1936 TO GASKET.
8. FOR FINAL INSTALLATION, CONTACTS MUST BE ASSEMBLED INTO ALL INSERT HOLES. ALL UNUSED GROMMET HOLES MUST BE FILLED WITH THE APPROPRIATE SIZE SEALING PLUG.

NOTES:

THE USE OF THIS DOCUMENT IS UNLIMITED. HOWEVER, DOCUMENTS REFERENCED HEREON MAY CONTAIN LIMITED RIGHTS DATA.

SIZE	FSCM NO.	REV.
D	77820	F
SCALE	WT.	REF.
		SHEET 2

71-580330/349 B

SCANNED

A

Mouser Electronics

Authorized Distributor

Click to View Pricing, Inventory, Delivery & Lifecycle Information:

Amphenol:

[GTC06G21610S](#) [GTC06G2245S](#) [GTC06G3215SW](#) [GTC06G-14S-5S](#) [GTC06G-32-17S](#) [GTC06G-28-11S](#)
[GTC06G32-1P](#) [GTC06G32-5P](#) [GTC06G-16-11P](#) [GTC06G-20-27P](#) [GTC06G16-10P](#) [GTC06G2221S](#) [GTC06G-22-23P](#) [GTC06G-28-51P](#) [GTC06G2-20-27S](#) [GTC06G-10SL-3S](#) [GTC06G-22-23S](#) [GTC06G2-22-9P](#) [GTC06G-14S-2P](#)
[GTC06G-20-19S](#) [GTC06G-24-12S](#) [GTC06G24-7P-A24](#) [GTC06G32-5S-RDS](#) [GTC06G2-24-10S](#) [GTC06G32-76S-LC](#)
[GTC06G-36-77S](#) [GTC06G-228-21S](#) [GTC06G28-3S-025-RDS](#) [GTC06G2-22-8P](#) [GTC06G14S-6P](#) [GTC06G28-18P](#)
[GTC06G18-19P](#) [GTC06G22-22S](#) [GTC06G36-4P](#) [GTC06G20-11P](#) [GTC06G20-16P](#) [GTC06G28-21P](#) [GTC06G24-9S](#)
[GTC06G20-29P](#) [GTC06G10SL-4S](#) [GTC06G20-29P-B30](#) [GTC06G14S-9S](#) [GTC06G32-6P](#) [GTC06G24-22P](#)
[GTC06G36-5P](#) [GTC06G22-63P](#) [GTC06G16-11PY](#) [GTC06G28-5P](#) [GTC06G2-24-2S](#) [GTC06G24-AJS](#) [GTC06G24-27P-A24](#) [GTC06G14S-10S-025](#) [GTC06G36-22P](#) [GTC06G36-77P](#) [GTC06G36-5PX](#) [GTC06G14S-2S-025](#)
[GTC06G24-96S](#) [GTC06G24-53S](#) [GTC06G16-11PZ](#) [GTC06G24-AJPW-B30](#) [GTC06G-24-10SW](#) [GTC06G-22-23PY](#)
[GTC06G-22-23PW](#) [GTC06G-24-12S\(RDS\)](#) [GTC06G2-22-23PY](#) [GTC06G2-22-23P](#) [GTC06G-22-21P](#) [GTC06G-32-17P](#) [GTC06G-14S-6S](#) [GTC06G-20-27S](#) [GTC06G-24-5S\(125\)](#) [GTC06G-28-8S\(125\)](#) [GTC06G232-5P](#) [GTC06G14S-7P\(014\)](#) [GTC06G24-12S\(024\)](#) [GTC06G2428S](#) [GTC06G2410P](#) [GTC06G1611S](#) [GTC06G2410S](#) [GTC06G2245P](#)
[GTC06G22851S](#) [GTC06G3215P](#) [GTC06G14S2S](#) [GTC06G22428S](#) [GTC06G14S7S](#) [GTC06G4030S](#)
[GTC06G22851P](#) [GTC06G22223S](#) [GTC06G22821P](#) [GTC06G2-16-10P](#) [GTC06G20-18S](#) [GTC06G20-18P](#)
[GTC06G20-15S](#) [GTC06G20-15P](#) [GTC06G20-14S](#) [GTC06G20-11S](#) [GTC06G16-12S](#) [GTC06G2-28-16S](#) [GTC06G2-24-96P](#) [GTC06G20-19P](#)