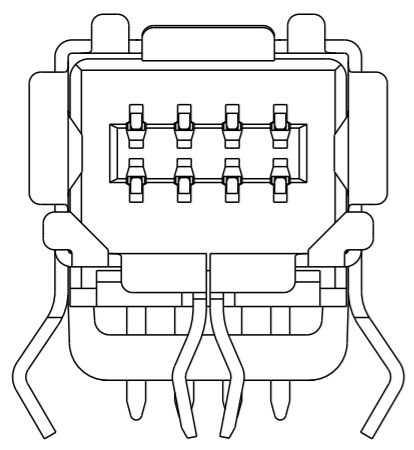
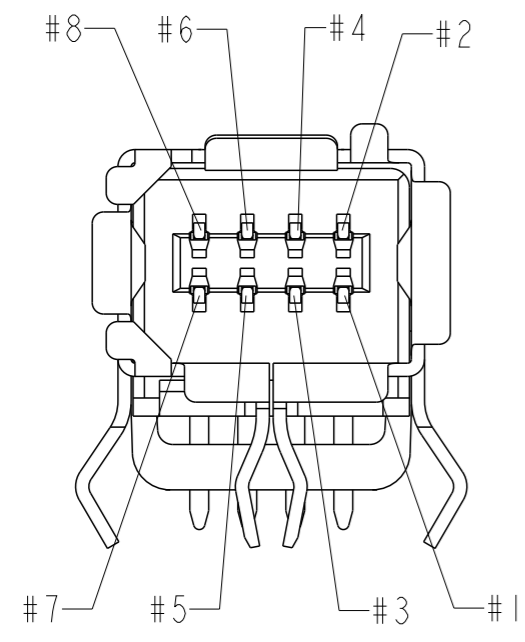
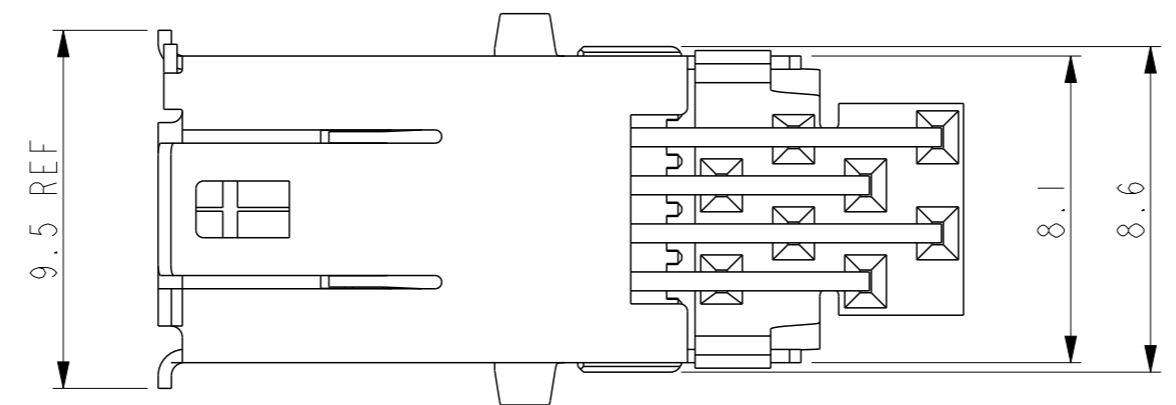


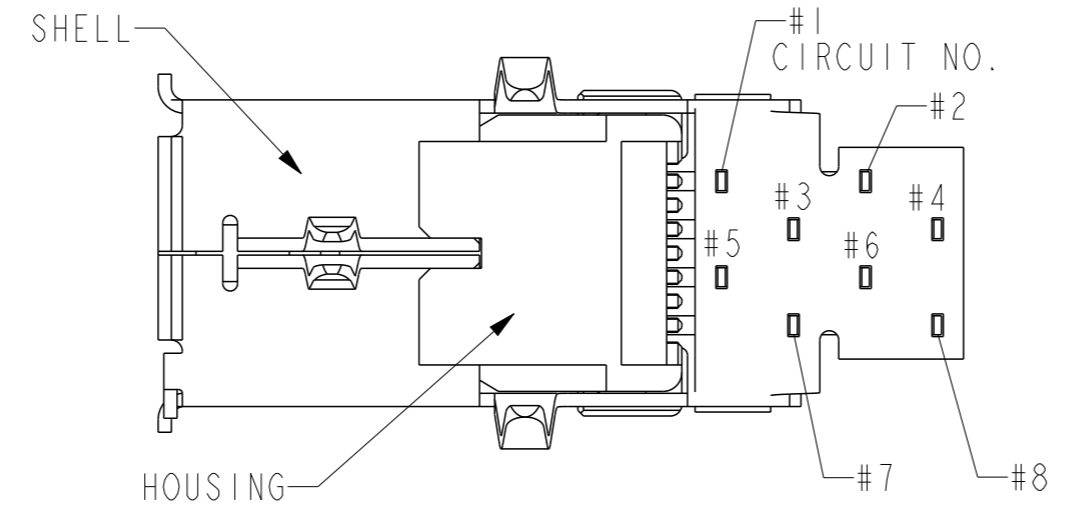
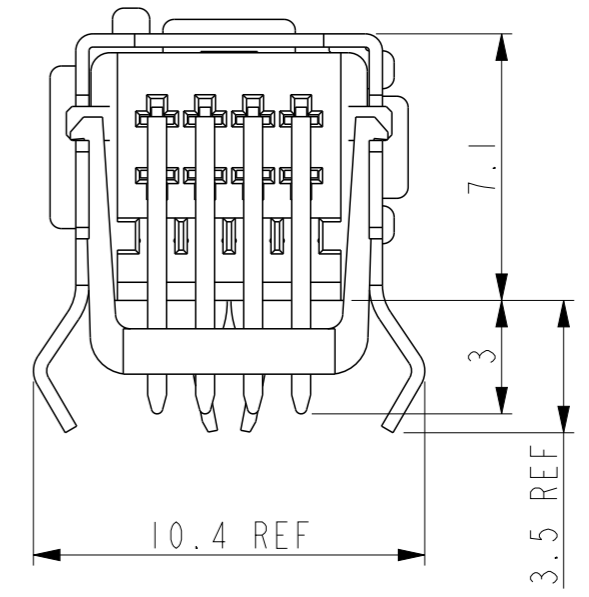
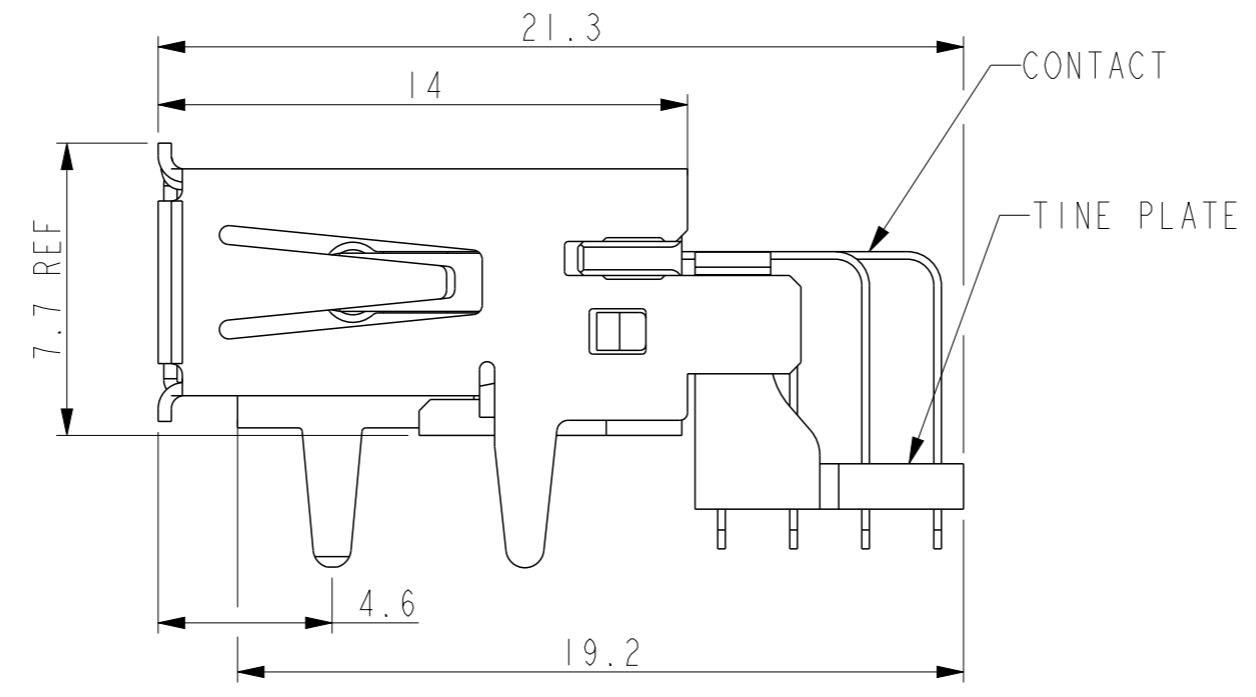
PART NUMBER	DESCRIPTION	POS
10137850-0010LF	D-SHAPE TYPE I PIP	8
10137850-0020LF	D-SHAPE TYPE II PIP	8



10137850-0020LF



CIRCUIT NO.  
10137850-0010LF



PRODUCT NUMBERING:  
10137850 - 0 0 X 0 LF  
LEAD FREE  
1: TYPE I  
2: TYPE II

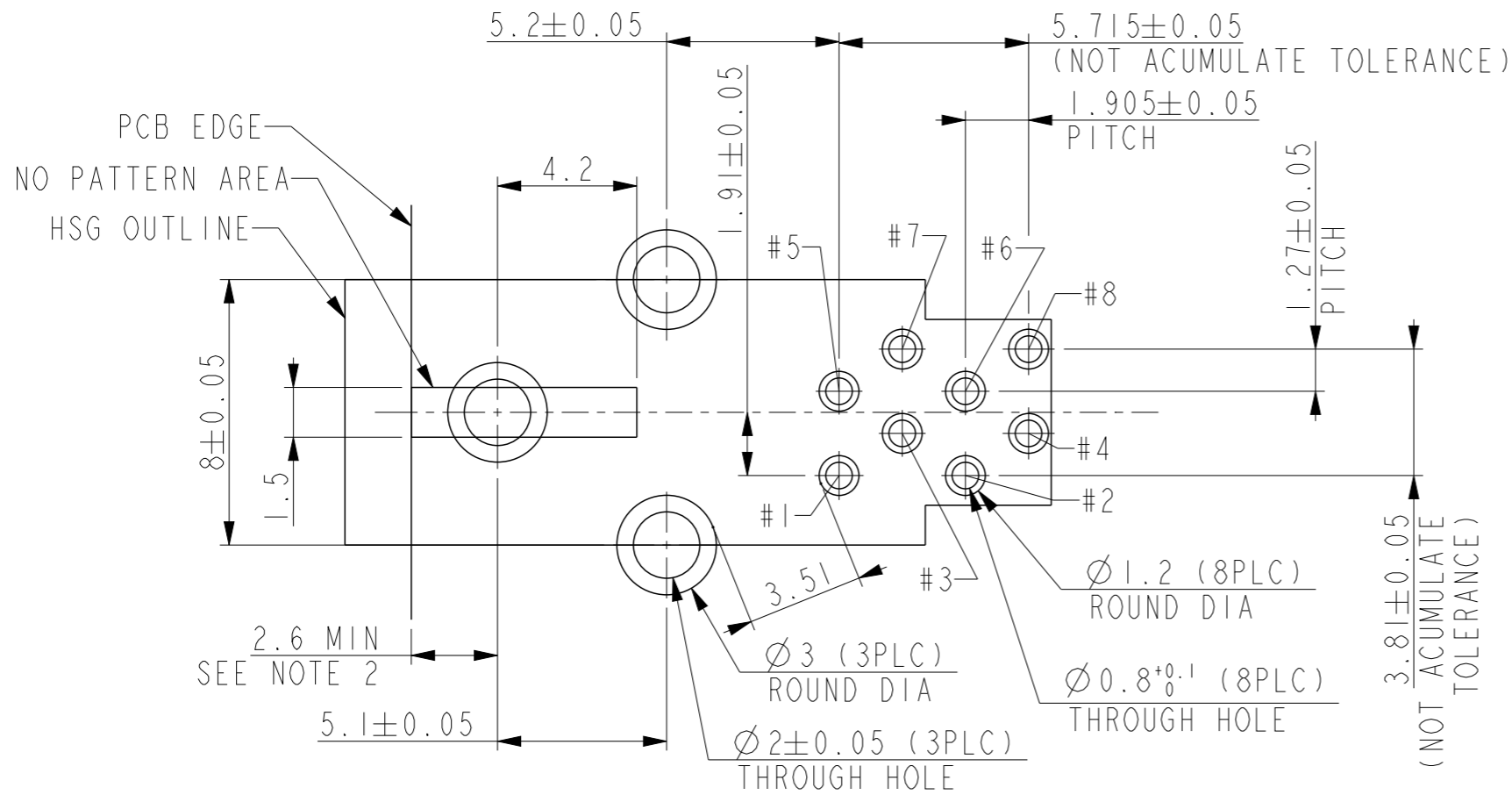
Amphenol  
FCi

© 2016 AFCI

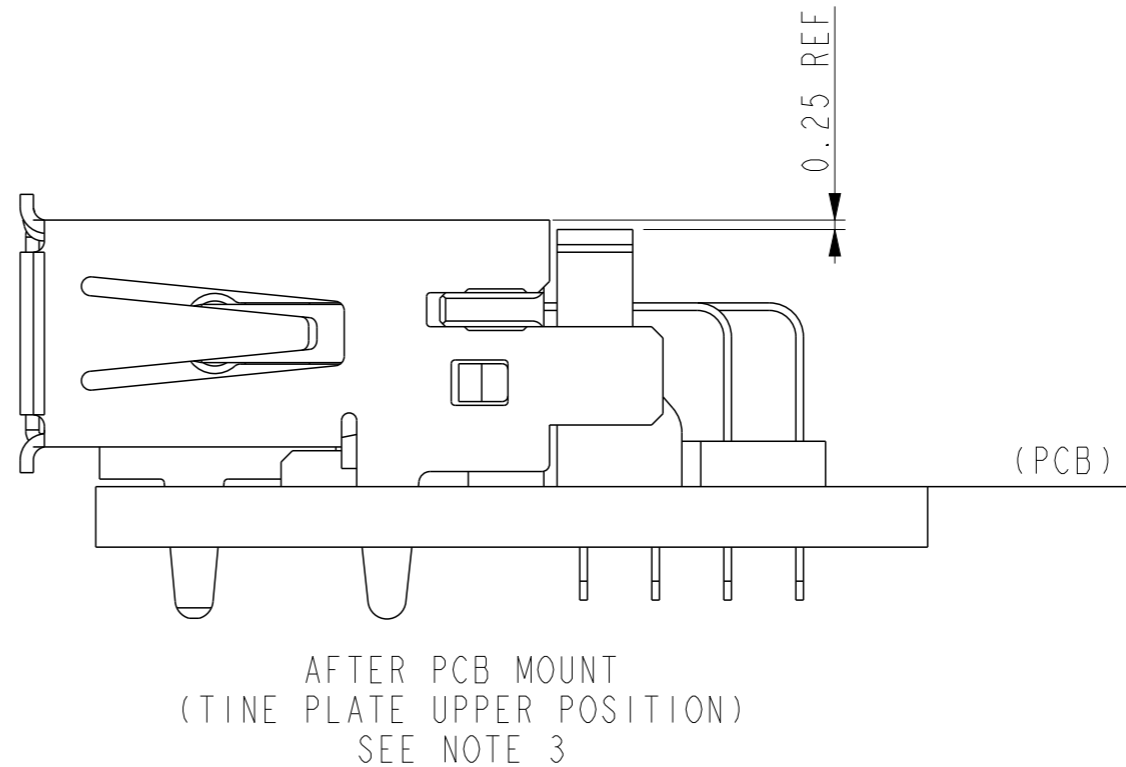
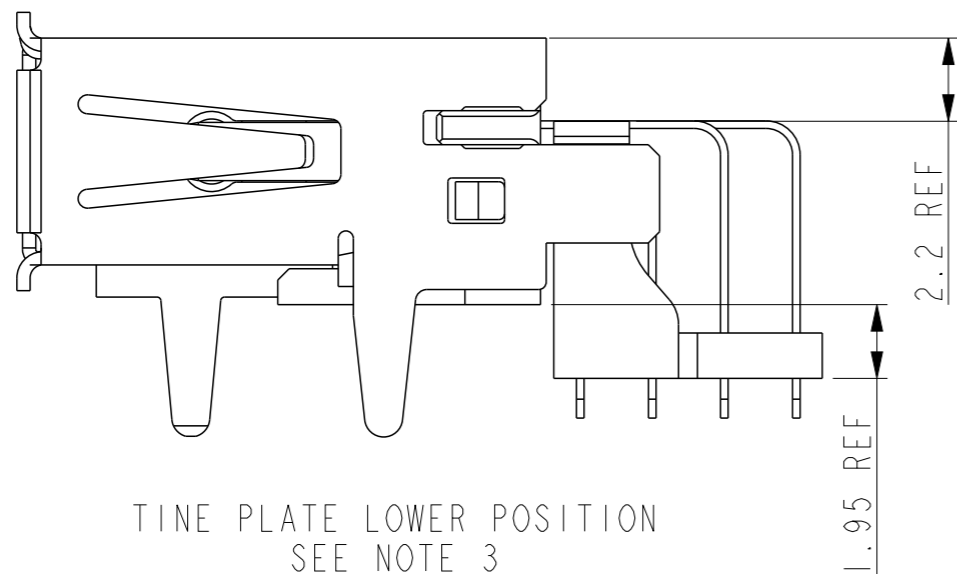
spec ref	GS-12-1345	dr	A P Sawanth	2016/07/13	projection	mm	size	A3	scale	5:1
tolerance std	ISO 406 ISO 1101	eng	Johann Juillet	2016/09/08			ecn no	ELX-F-24924-1		
TOLERANCES UNLESS OTHERWISE SPECIFIED		chr	Johann Juillet	2016/09/09			rel level	Released		
surface	linear	0.X	±0.3	<b>Amphenol FCi</b>	product family	INDUSTRIAL MINI I/O CONN		dwg no 10137850	rev B	
		0.XX	±-		cat. no.	Product - Customer Drw			sheet 1 of 2	
	angular	0°	±5°		1.27mm PITCH					

NOTES:

- 1. MATERIAL AND FINISH  
CONTACT: COPPER ALLOY  
UNDER ALL SURFACE NICKEL 1.27µm MIN.  
TOP CONTACT AREA : GOLD 0.5µm MIN  
SOLDERING AREA : TIN PLATE.  
HOUSING: THERMO PLASTIC (UL94V-0)  
SHELL: COPPER ALLOY  
UNDER ALL SURFACE NICKEL  
TOP ALL SURFACE TIN
- 2. DIMENSION DECIDED BY CUSTOMER.
- 3. TINE PLATE CAN MOVE UP AND DOWN.
- 4. PACKAGING SPEC : GS-14-2538



RECOMMENDED BOARD DIMENSION (CONNECTOR SIDE) ±1.6



Amphenol FCI

© 2016 AFCI

spec ref	GS-12-1345	dr	A P Sawanth	2016/07/13	projection	mm	size	A3	scale	5:1
tolerance std	ISO 406 ISO 1101	eng	Johann Juillet	2016/09/08			ecn no	ELX-F-24924-1		
TOLERANCES UNLESS OTHERWISE SPECIFIED		chr	Johann Juillet	2016/09/09			rel level	Released		
surface	linear	0.X	±0.3	<b>Amphenol FCI</b>	product family	INDUSTRIAL MINI I/O CONN		dwg no	10137850	
		0.XX	±-		cat. no.	Product - Customer Drw		rev	B	
	angular	0°	±5°		sheet 2 of 2					

# Mouser Electronics

Authorized Distributor

Click to View Pricing, Inventory, Delivery & Lifecycle Information:

[FCI / Amphenol:](#)

[10137850-0020LF](#) [10137850-0010LF](#)