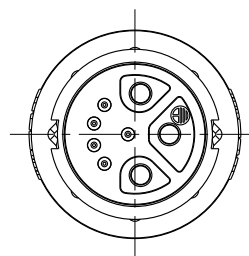
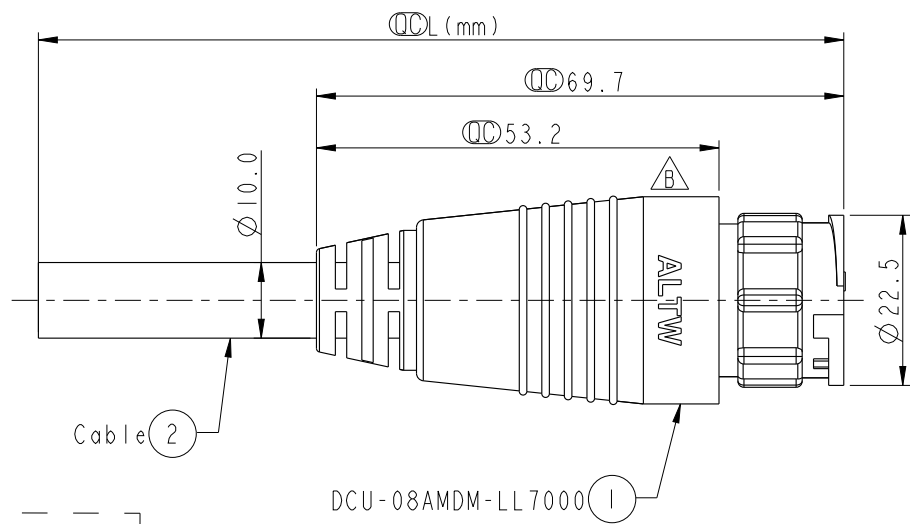
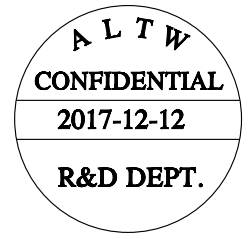


REV.	ECN NO.	DATE	SIGN	DESCRIPTION
B	LEN17C0338~341	2017-12-12	Jalam	Modify The Tolerance & Change Logo

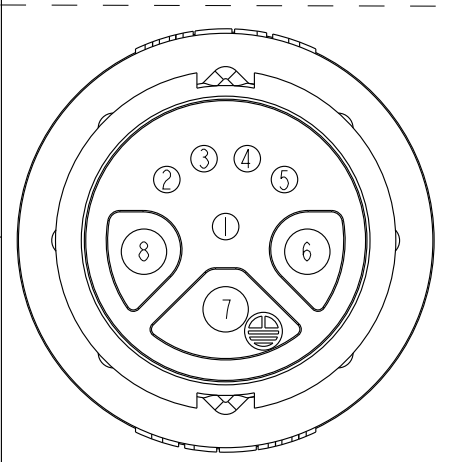


DCU-08AMDM-LL7BXX

XX : 01~99Meter  
01 : 01Meter  
02 : 02Meters

99 : 99Meters

Cable Length(L) : 01~99Meters



Conn. Pin Assignments Front View

8	Brown	16AWG	棕	
7	Green/Yellow	16AWG	綠/黃	
6	Blue	16AWG	藍	
5	Red	24AWG	紅	Twist
4	Green	24AWG	綠	
3	White	24AWG	白	Twist
2	Blue	24AWG	藍	
1	Drain		地線	
Conn.	Wire Color		Pin Out	

Note:  
 \*  $\varnothing$  Important Dimension To Check  
 \* Waterproof Rate: IP67  
 \* Connector: Nylon+GF, Black  
 \* Pin: Copper Alloy, Gold Plated  
 \* Cable: UL2586 (24#\*1P+A)\*2C+16#\*3C+Drain+Al/Mylar, PVC Jacket, UV Resistant, OD= $\varnothing$ 10.0mm, Black  
 \* Cable Length Tolerance: 01M $\pm$ 40mm  
 02M~05M: $\pm$ 60mm  
 06M~10M: $\pm$ 100mm  
 11M~30M: $\pm$ 200mm  
 31M~99M: $\pm$ 500mm

UNIT:mm		TITLE
TOLERANCE	$\pm 0.5mm$	Large Size, Lock Type MConn. 3FPin(20A)+5MPin(2A)
SCALE	1:1	SIZE A4
REV.	B	SHEET 1 OF 1
WC-REV.	A.5	$\varnothing$ : Inspection item

**Amphenol LTW**  
 安費諾亮泰企業股份有限公司

ITEM NO	DRAWN BY	DATE
DCU-08AMDM-LL7BXX	Jalam	2017-12-12
CUSTOMER	CHECKED BY	DATE
ALTW	Mafei	2017-12-12
	APPROVED BY	DATE
	Jerry	2017-12-12

THIS DOCUMENT IS SUBJECT TO CHANGE WITHOUT NOTICE. IT IS CONFIDENTIAL AND A PROPERTY OF AMPHENOL LTW. DISCLOSURE TO THIRD PARTY HAS TO BE AUTHORIZED BY AMPHENOL LTW.

# Mouser Electronics

Authorized Distributor

Click to View Pricing, Inventory, Delivery & Lifecycle Information:

[Amphenol:](#)

[DCU-08AMDM-LL7B01](#) [DCU-08AMDM-LL7B02](#) [DCU-08AMDM-LL7B05](#) [DCU-08AMDM-LL7B10](#)