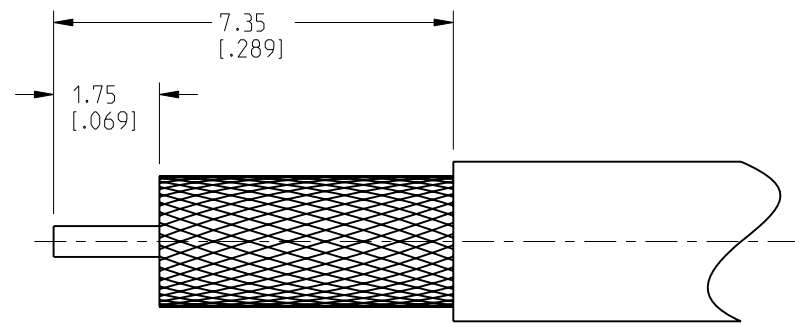


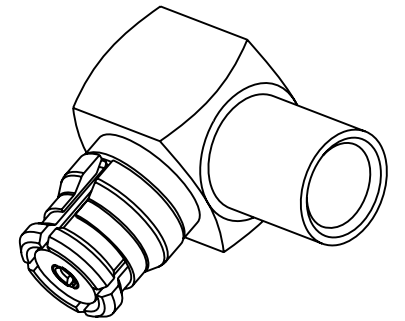
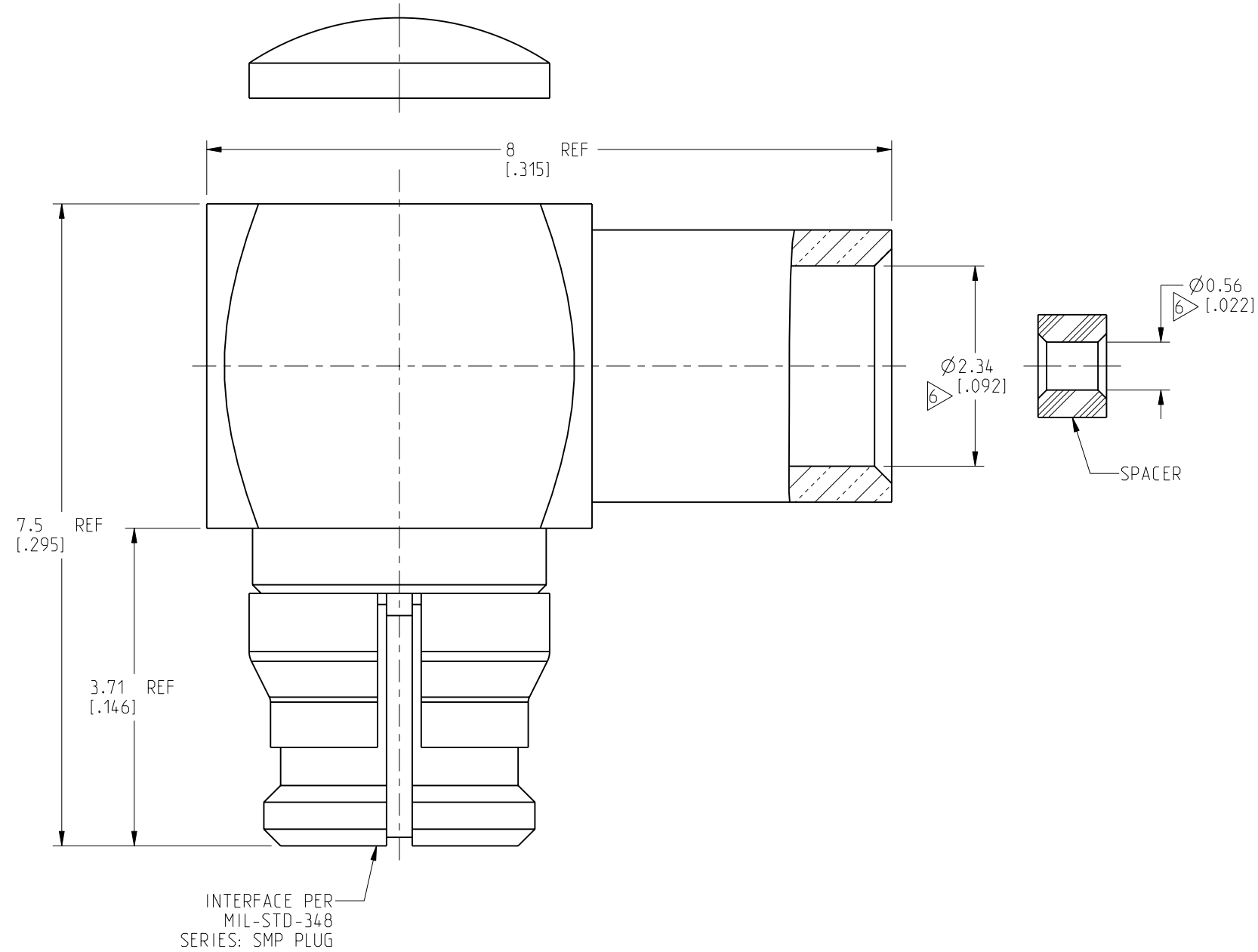
NOTES:

1. MATERIALS AND FINISHES:
 BODY, CONTACT - BERYLLIUM COPPER, GOLD PLATING
 RETAINING RING - BERYLLIUM COPPER, NICKEL PLATING
 INSULATOR - PTFE, NATURAL
 SPACER - PTFE, NATURAL
 CAP - BRASS, NICKEL PLATING
2. ELECTRICAL:
 A. IMPEDANCE: 50 OHM
 B. FREQUENCY RANGE: DC-26.5 GHz
 C. VSWR (RETURN LOSS): 1.20 (20.8 dB), MAX. @ DC-18 GHz
 1.40 (15.6 dB), MAX. @ 18-26.5 GHz
 D. DIELECTRIC WITHSTANDING VOLTAGE: 500 VRMS, MIN.
3. MECHANICAL:
 A. DURABILITY: 100 CYCLES MIN. WHEN MATED WITH FULL DETENT JACK
 500 CYCLES MIN. WHEN MATED WITH LIMITED DETENT JACK
 1000 CYCLES MIN. WHEN MATED WITH SMOOTH BORE JACK
 B. TEMPERATURE RANGE: -65°C TO 165°C
4. PACKAGING:
 A. QUANTITY: SINGLE PACK
 B. MARKING: PACKAGING TO BE MARKED
 "AMPHENOL RF, SMP-FR-C07-2-R & DATE CODE"
5. ASSEMBLY INSTRUCTIONS:
 A. STRIP CABLE TO DIMENSIONS SHOWN.
 B. SLIDE SPACER OVER CABLE CENTER CONDUCTOR.
 C. INSERT CABLE INTO BARREL, SOLDER CABLE CENTER CONDUCTOR
 TO CENTER CONTACT AND CABLE OUTER CONDUCTOR TO BARREL.
 D. PRESS CAP INTO TOP OF CONNECTOR.

6 SHOWS CABLE ENTRY DIMENSIONS.



RECOMMENDED CABLE STRIPPING DIMENSIONS



REVISIONS				
REV	DESCRIPTION	DATE	ECN	BY
A	RELEASE TO MFG.	13-Jul-21	15808	SH

CUSTOMER OUTLINE DRAWING
 ALL OTHER SHEETS ARE FOR INTERNAL USE ONLY

NOTICE: These drawings, specifications, or other data (1) are, and remain the property of Amphenol corp. (2) must be returned upon request; and (3) are confidential and not to be disclosed to any person other than those to whom they are given by Amphenol Corp. The furnishing of these drawings, specifications, or other data by Amphenol Corp., or to any other person to anyone for any purpose is not to be regarded by implication or otherwise in any manner licensing, granting rights to permitting such holder or any other person to manufacture, use or sell any product, process or design, patented or otherwise, that may in any way be related to or disclosed by said drawings, specifications, or other data.

UNLESS OTHERWISE SPECIFIED
 DIMENSIONS ARE METRIC (INCHES) AND TOLERANCES ARE:
 <0.5mm = ±0.05mm [$<0.020 = \pm 0.002$]
 >0.5 - 6mm = ±0.1mm [$>0.020 - 0.236 = \pm 0.004$]
 >6.00 - 30mm = ±0.2mm [$>0.236 - 1.181 = \pm 0.008$]
 >30.00 - 120mm = ±0.3mm [$>1.181 - 4.725 = \pm 0.012$]
 ANGLES = ±1°

MATERIAL
 SEE NOTE 1

ENGR.1 M.ZHANG ENGR.2 DATE 01-Jul-21

TITLE
 SMP R/A PLUG
 WITH RETAINING RING
 FOR .086" FLEXIBLE CABLE

SHEET NO. 2 OF 2 SCALE: 15.0:1.0

Amphenol RF SIZE B		DRAWING NO. SMP-FR-C07-2-R	REV A
		ITEM NO. SMP-FR-C07-2-R	
		PART NO. SMP-FR-C07-2-R	

Mouser Electronics

Authorized Distributor

Click to View Pricing, Inventory, Delivery & Lifecycle Information:

[Amphenol:](#)

[SMP-FR-C07-2-R](#)