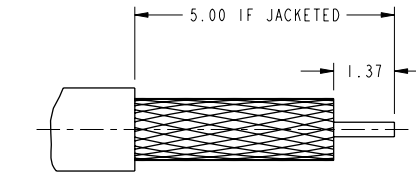
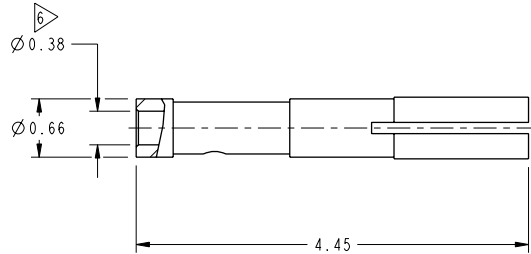
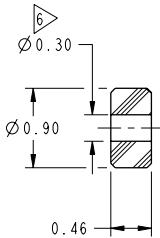


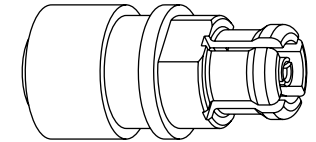
NOTES:

1. MATERIALS AND FINISHES:
 BODY - BeCu, GOLD PLATING
 CONTACT - BeCu, GOLD PLATING
 INSULATOR - PTFE
2. ELECTRICAL:
 A. IMPEDANCE: 50 OHM
 B. FREQUENCY RANGE: DC - 35 GHz
3. MECHANICAL:
 A. DURABILITY: 100 CYCLES, MIN.
 B. TEMPERATURE RANGE: -65° C TO +165° C
4. PACKAGING:
 A. QUANTITY: SINGLE PACK
 B. MARKING: BAG TO BE MARKED
 "AMPHENOLRF, 925-124P-51S, AND DATE CODE"
5. CABLE ASSEMBLY INSTRUCTIONS:
 A. TRIM CABLE AS SHOWN
 B. SLIDE INSULATOR DISC OVER THE CABLE CENTER CONDUCTOR.
 C. SOLDER CENTER CONTACT TO CABLE CENTER CONDUCTOR
 D. SOLDER OUTER CONDUCTOR OF CABLE TO REAR BODY.

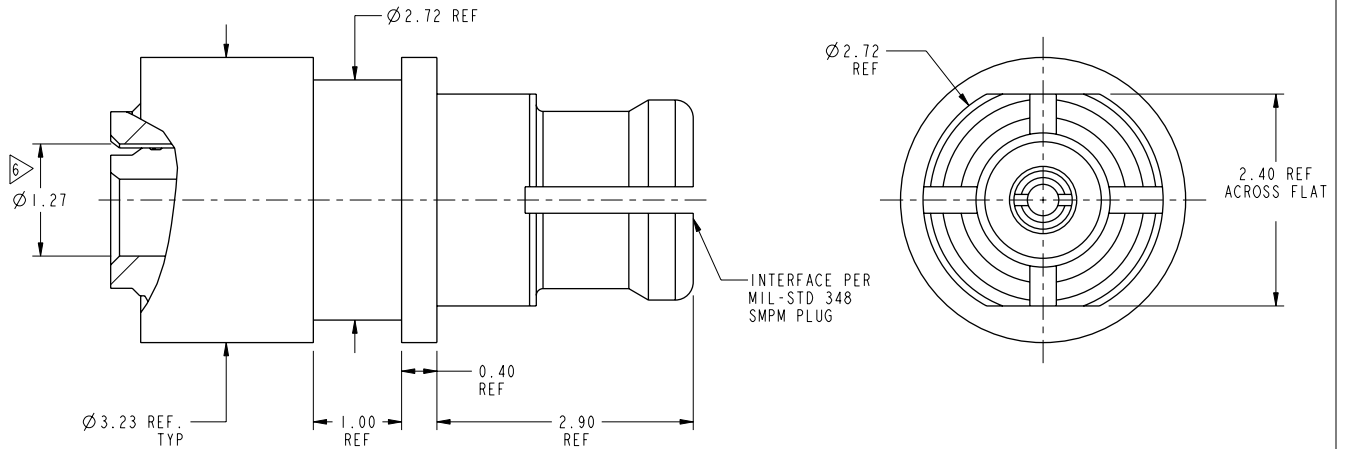
6 SHOWS CABLE ENTRY DIMENSIONS



**RECOMMENDED
CABLE STRIPPING DIMENSIONS**



SCALE 8.000



THIRD ANGLE PROJ.

REVISIONS

REV	DESCRIPTION	DATE	ECO	APPR
A	RELEASE TO MFG.	01-Mar-13	49467	FW
B	UPDATED INSULATOR, BODY AND STRIPPING DIMENSIONS /RD-DMI4022601Z	06-Mar-14	49877	SH
C	Ø0.38 WAS Ø0.33/RD-DMI4081401M3	26-Aug-14	50086	SH

CUSTOMER OUTLINE DRAWING

ALL OTHER SHEETS ARE FOR INTERNAL USE ONLY

UNLESS OTHERWISE SPECIFIED, DIMENSIONS ARE IN METRIC AND TOLERANCES ARE: <0.5mm ±0.05mm 0.5 - 6mm ±0.1mm 6 - 30mm ±0.2mm 30 - 120mm ±0.3mm ANGLES ±1°	MATERIAL	DRAWN	DATE	TITLE SMPM, PLUG FOR .047" CABLE		Amphenol RF www.amphenolrf.com	
	SEE NOTES	M. DONG	26-Aug-14				
	REFERENCE	ENGINEER	DATE	SCALE: 17.0:1.0		SHEET 2 OF 2	
	EAR # 4691	R. RAJAN	31-Jul-12	DWG SIZE B		REV C	
CONFIGURATION LEVEL: □□□□	APPROVED	DATE	PART NO. 925-124P-51S		DRAWING NO. 925-124P-51S		
FINISH	S. HSIEH	26-Aug-14	ITEM NO. 925-124P-51S		PART NO. 925-124P-51S		
NOTICE - These drawings, specifications, or other data (1) are, and remain the property of Amphenol Corp. (2) must be returned upon request; and (3) are confidential and not to be disclosed to any person other than those to whom they are given by Amphenol Corp. the furnishing of these drawings, specifications, or other data by Amphenol Corp., or to any other person to anyone for any purpose is not to be regarded by implication or otherwise in any manner licensing, granting rights to permitting such holder or any other person to manufacture, use or sell any product, process or design, patented or otherwise, that may in any way be related to or disclosed by said drawings, specifications, or other data.	CAD FILE						

Mouser Electronics

Authorized Distributor

Click to View Pricing, Inventory, Delivery & Lifecycle Information:

[Amphenol:](#)

[925-124P-51S](#)