

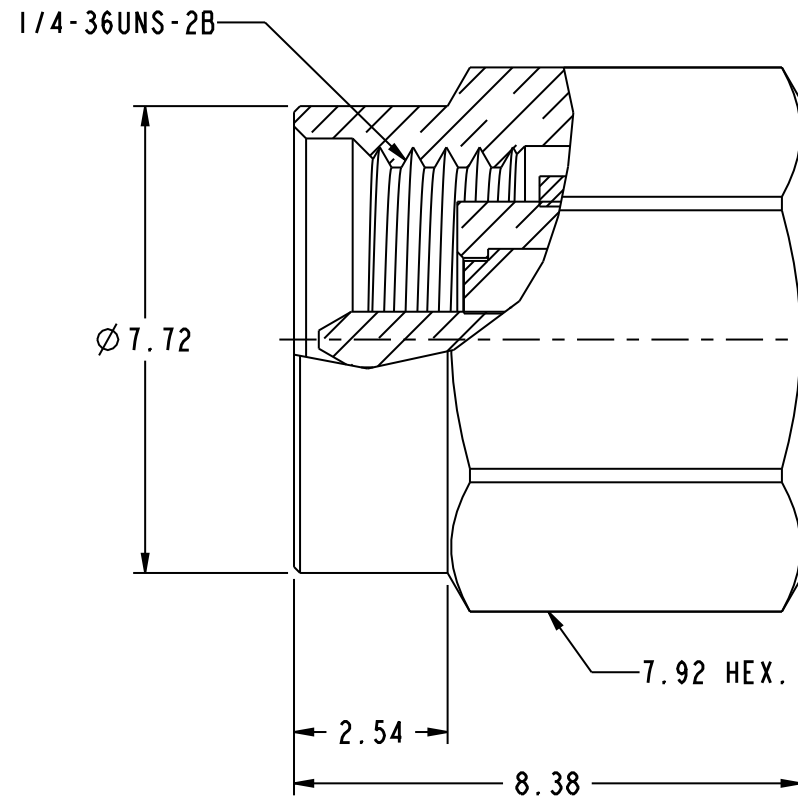
NOTES:

1. MATERIAL AND FINISH (PLATING THICKNESS IN MICRO-INCHES):
 BODY - BRASS, GOLD PLATING
 CONTACT -BRASS, GOLD PLATING
 INSULATOR - PTFE, NATURAL
2. ELECTRICAL:
 A. IMPEDANCE:50 OHM
 B. FREQUENCY RANGE: 0-12.4 GHz.
3. MECHANICAL:
 A. DURABILITY:500 CYCLES MIN.
 B. TEMPERATURE RANGE:-65°C TO +165°C

THIRD ANGLE PROJ.

REVISIONS

| REV | DESCRIPTION | DATE | ECO | APPR |
|-----|--|-----------|-------|------|
| C | NO. 1 AND NO.2 WERE CHANGED\RD-DM93040801E | 04-08-04' | | SH |
| D | GS00AAA87A WAS S-6/43X06\RD-DM06050501C | 05-05-06' | | SH |
| E | NO.1 WAS CHANGED\RD-DM06102001C | 10-26-06' | | SH |
| F | NO.3 WAS CHANGED\RD-DM10102601S4 | 23-Nov-10 | | SH |
| G | USE NEW GLOBAL FORMAT\RD-DM10121501F | 15-Dec-10 | 48365 | SH |



CUSTOMER OUTLINE DRAWING
 ALL OTHER SHEETS ARE FOR INTERNAL USE ONLY

UNLESS OTHERWISE SPECIFIED, DIMENSIONS ARE IN METRIC AND TOLERANCES ARE:

| | | | | |
|----------|-----------|----------|------------|--------|
| <0.5mm | 0.5 - 6mm | 6 - 30mm | 30 - 120mm | ANGLES |
| ± 0.05mm | ±0.1mm | ±0.2mm | ± 0.3mm | ±1° |

NOTICE - These drawings, specifications, or other data (1) are, and remain the property of Amphenol corp. (2) must be returned upon request; and (3) are confidential and not to be disclosed to any person other than those to whom they are given by Amphenol Corp. the furnishing of these drawings, specifications, or other data by Amphenol Corp., or to any other person to anyone for any purpose is not to be regarded by implication or otherwise in any manner licensing, granting rights to permitting such holder or any other person to manufacture, use or sell any product, process or design, patented or otherwise, that may in any way be related to or disclosed by said drawings, specifications, or other data.

| | | | | | | |
|--|------------------------------|-------------------|------------------------------|--------------|--|--|
| MATERIAL | DRAWN F. WANG | DATE 15-Dec-10 | TITLE SMA TERMINATOR PLUG | | Amphenol RF Danbury CT USA, Tainan, Taiwan, Shenzhen, China www.amphenolrf.com | |
| REFERENCE AND CONFIGURATION LEVEL: | ENGINEER S. LI | DATE 23-Nov-10 | | | | |
| FINISH | APPROVED S. HSIEH | DATE 15-Dec-10 | SCALE: 5.0:1.0 | SHEET 2 OF 2 | DRAWING NO. 901-10106 | |
| | CAD FILE I:/SMA/901-10106 | | DWG SIZE B | REV G | ITEM NO. 901-10106 | |
| | | | | | PART NO.901-10106 | |

Mouser Electronics

Authorized Distributor

Click to View Pricing, Inventory, Delivery & Lifecycle Information:

[Amphenol:](#)

[901-10106](#)