

NOTES:

1. MATERIALS AND FINISH (IN MICRO-INCHES)

- BODY = ZINC DIECAST (PER ASTM B86)
MATTE TIN PL. 100 MIN.
- INSULATOR = PTFE PER ASTM D1710, COLOR: NATURAL
- HOUSING = PPE+PS, COLOR: PER TABLE
- FERRULE = COPPER (PER ASTM B75)
NICKEL PL. 100 MIN. THICK OVER COPPER STRIKE
- O-RING = HYDROGENATED NITRILE, COLOR: GREEN
- SHRINK TUBING = POLYOLEFIN, ADHESIVE LINED, COLOR: BLACK

CONTACT SUPPLIED SEPARATELY AS P/N:
 1. FKCP03301A (5,000 PCS. REEL), CRIMP AREA: NICKEL PLATED
 2. 923-10733 (5,000 PCS. REEL), CRIMP AREA: TIN PLATED
 CABLE DEFINITIONS PER AMPHENOL REPORT DE825

2. ELECTRICAL:

- A. IMPEDANCE: 50 OHM, NOMINAL
- B. FREQUENCY RANGE: DC-3.0 GHz
- C. VSWR(RETURN LOSS): 1.400 (-15.6dB) MAX. (DC-2.0 GHz)
(MATED PAIR) 1.500 (-13.9dB) MAX. (2.0-3.0 GHz)
- D. DIELECTRIC WITHSTANDING VOLTAGE: 800 VRMS, MIN.

3. MECHANICAL:

- A. DURABILITY: 100 CYCLES, MIN.
- B. TEMPERATURE RANGE: -40° C TO 85° C
- C. USCAR-17 COMPLIANT
- D. INTERFACE PER DIN 72594-1
- E. ENVIRONMENTAL SEAL (WHEN MATED): GMW3191

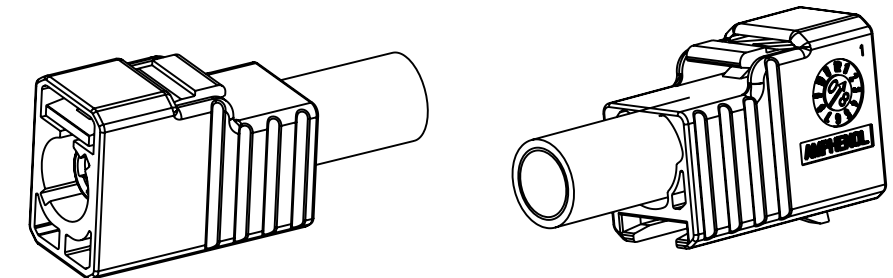
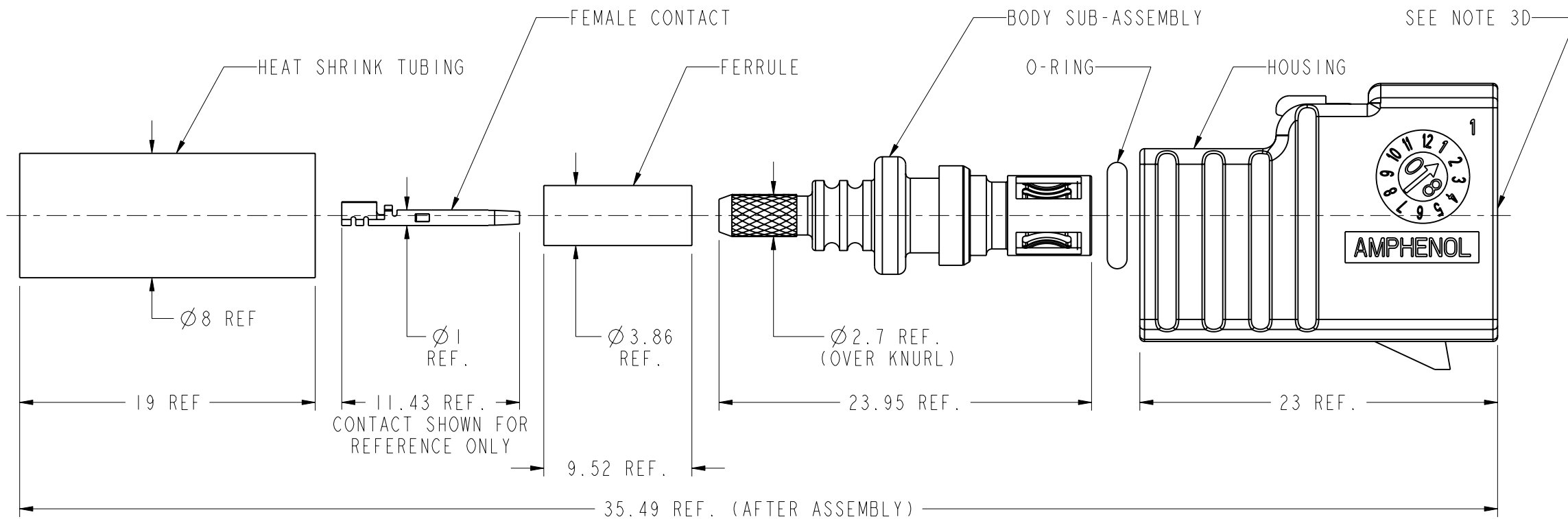
4. PACKAGING:

- A. QUANTITY: TRAY PACK
- B. MARKING: TRAY TO BE MARKED
"AMPHENOL, 3FAI-NXSJ-C01E6, AND DATE CODE"

5. CABLE ASSEMBLY INSTRUCTIONS PER 349-50832

CODING	DRAWING NO.	COLOR	RAL NO.
A	3FAI-NASJ-C01E6	JET BLACK	9005
B	3FAI-NBSJ-C01E6	CREAM	9001
C	3FAI-NCSJ-C01E6	SIGNAL BLUE	5005
D	3FAI-NDSJ-C01E6	CLARET VIOLET	4004
E	3FAI-NESJ-C01E6	LEAF GREEN	6002
F	3FAI-NFSJ-C01E6	NUT BROWN	8011
G	3FAI-NGSJ-C01E6	BLUE GREY	7031
H	3FAI-NHSJ-C01E6	HEATHER VIOLET	4003
I	3FAI-NISJ-C01E6	BEIGE	1001
K	3FAI-NKSJ-C01E6	CURRY	1027
L	3FAI-NLSJ-C01E6	CARMINE RED	3002
M	3FAI-NMSJ-C01E6	PASTEL ORANGE	2003
N	3FAI-NNSJ-C01E6	PASTEL GREEN	6019
Z	3FAI-NZSJ-C01E6	WATER BLUE	5021

CONFIGURATION CONTROL:
 NO CHANGES PERMITTED TO DRAWING WITHOUT
 PPAP QUALIFIED CUSTOMER APPROVAL



SCALE 1.500

THIRD ANGLE PROJ.

REVISIONS

REV	DESCRIPTION	DATE	ECO	APPR
A	RELEASE TO MFG.	07-Oct-11	48805	BCG
B	MODIFIED STAKING IN 4 PLACES \RD-DM12020901K\	09-Feb-12	48957	JY/BCG
C	O-RING WAS: SILICONE RUBBER, AND COLOR WAS: RED NOTE 3 & TITLE: GMW3191 WAS IP67 \RD-DM12061502K\	14-Jun-12	49113	JY/BCG
D	MODIFIED INSULATOR OD DIMENSION \RD-DM12080601K\	06-Aug-12	49201	BCG
E	ADDED TIN PLATED CONTACT IN NOTE 1	15-Mar-18	06181	RD

UNLESS OTHERWISE SPECIFIED, DIMENSIONS ARE IN METRIC AND TOLERANCES ARE:
 <0.5mm ±0.05mm 0.5 - 6mm ±0.1mm 6 - 30mm ±0.2mm 30 - 120mm ±0.3mm ANGLES ±1°

NOTICE - These drawings, specifications, or other data (1) are, and remain the property of Amphenol corp. (2) must be returned upon request; and (3) are confidential and not to be disclosed to any person other than those to whom they are given by Amphenol Corp. the furnishing of these drawings, specifications, or other data by Amphenol Corp., or to any other person for any purpose is not to be regarded by implication or otherwise in any manner licensing, granting rights to permitting such holder or any other person to manufacture, use or sell any product, process or design, patented or otherwise, that may in any way be related to or disclosed by said drawings, specifications, or other data.

MATERIAL	
REFERENCE	EAR: 7653 AND
CONFIGURATION LEVEL:	RELEASE
FINISH	

DRAWN	K. LIAO	DATE	06-Aug-12
ENGINEER	B.C. GLEISSNER	DATE	07-Oct-11
APPROVED	S. HSIEH	DATE	22-Mar-18
CAD FILE	I:\FAKRA\3FAI-NXSJ-C01E6		

TITLE	
GEN 3.0 FAKRA JACK, W/ CP, C01 CABLE GROUP, GMW3191 TAPE AND REEL CONTACT (SUPPLIED SEPARATELY)	
SCALE: 3.0:1.0	SHEET 2 OF 2
DWG SIZE	REV
B	E

Amphenol RF	
Danbury CT USA, Tainan, Taiwan, Shenzhen, China www.amphenolrf.com	
DRAWING NO. 3FAI-NXSJ-C01E6	
ITEM NO. 3FAI-NXSJ-C01E6	
PART NO. 3FAI-NXSJ-C01E6	

CUSTOMER OUTLINE DRAWING

ALL OTHER SHEETS ARE FOR INTERNAL USE ONLY

Mouser Electronics

Authorized Distributor

Click to View Pricing, Inventory, Delivery & Lifecycle Information:

[Amphenol:](#)

[3FA1-NASJ-C01E6](#)