

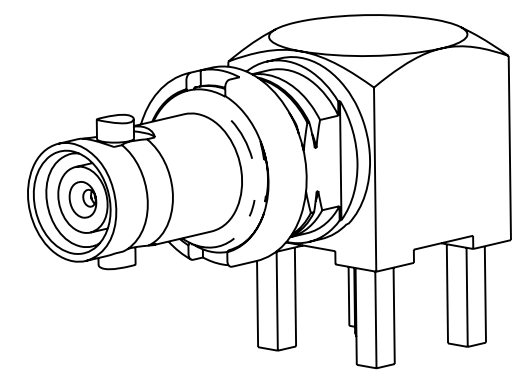
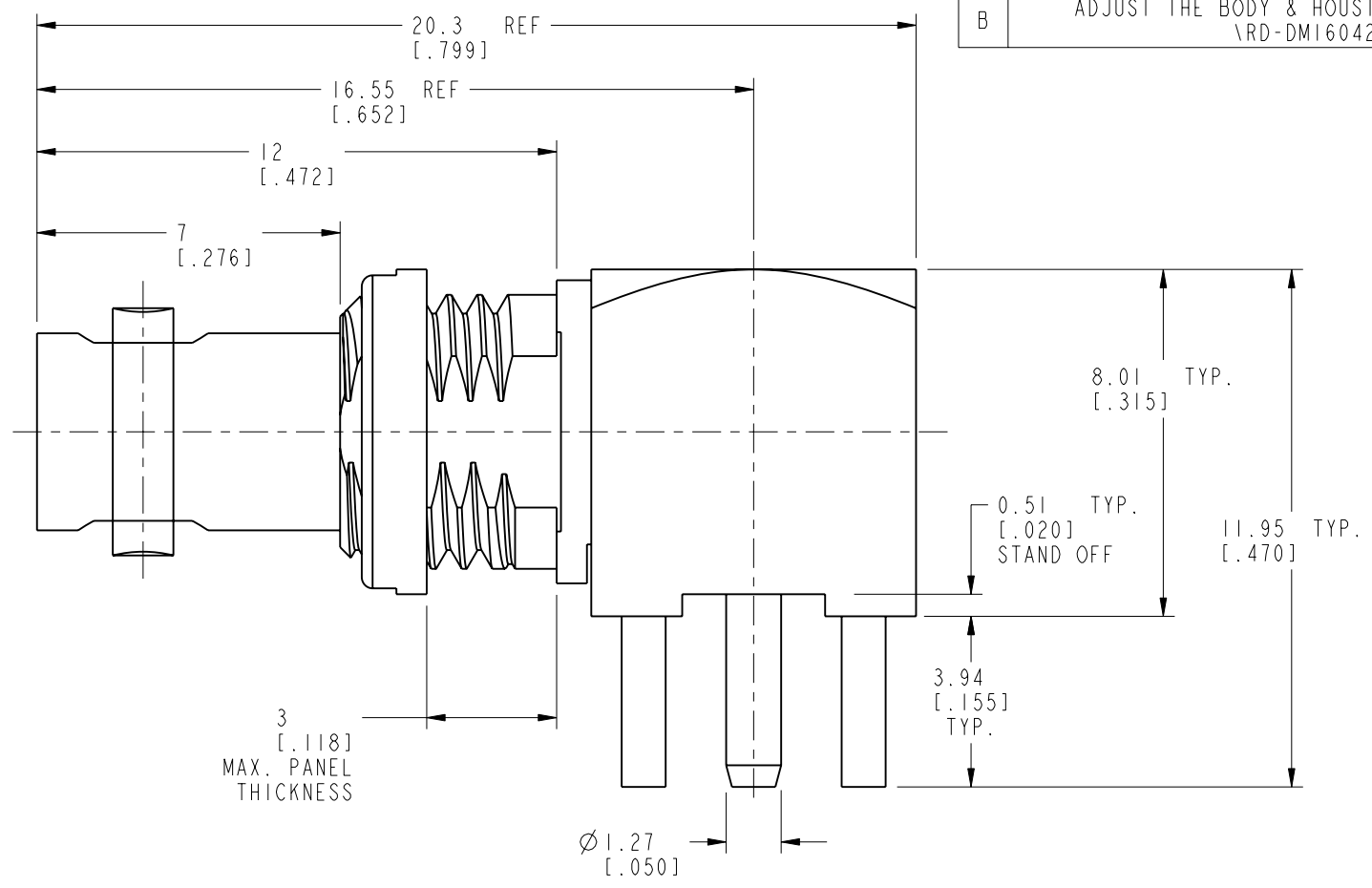
NOTES:

1. MATERIALS AND FINISHES:  
 BODY - BRASS, NICKEL PLATING  
 HOUSING - BRASS, MATTE TIN PLATING  
 CONTACT - BeCu, GOLD PLATING  
 INSULATOR - PTFE, NATURAL
2. ELECTRICAL:  
 A. IMPEDANCE: 50 OHMS  
 B. FREQUENCY RANGE: DC - 6 GHz  
 C. RETURN LOSS : 30 dB MIN @ DC-3 GHz  
                   25 dB MIN @ 3-6 GHz  
 D. DIELECTRIC WITHSTANDING VOLTAGE: 1000 VRMS, MIN.  
 E. INSULATION RESISTANCE: 10,000 MEGOHMS MIN
3. MECHANICAL:  
 A. DURABILITY: 500 CYCLES MIN.
4. ENVIRONMENTAL:  
 A. THERMAL SHOCK PER MIL-STD-202 METHOD 107  
    TEST CONDITION B (EXCEPT HIGH TEMP @200° C)  
 B. VIBRATION: MIL-STD-202 METHOD 204 TEST CONDITION B  
 C. SHOCK: MIL-STD-202 METHOD 213 TEST CONDITION B  
 D. CORROSION: MIL-STD-202 METHOD 101  
    TEST CONDITION B 5% SALT SOLUTION
5. PACKAGING:  
 A. QUANTITY: SINGLE PACK  
 B. MARKING: MARK BAG OR TAG  
    "AMPHENOL RF, 34-5024, AND DATE CODE"

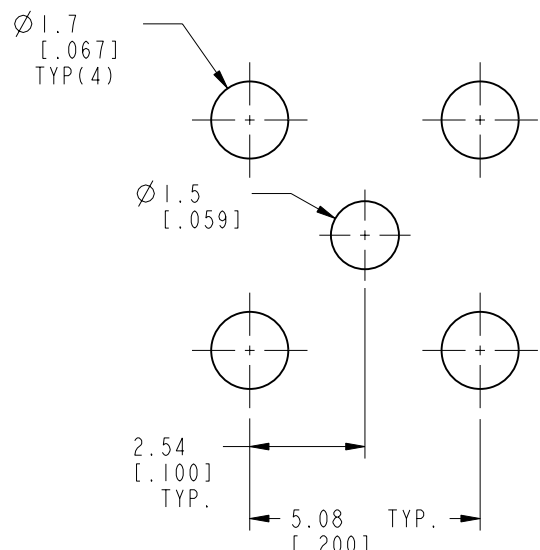
THIRD ANGLE PROJ.

REVISIONS

| REV | DESCRIPTION  | DATE      | ECO   | APPR |
|-----|--|-----------|-------|------|
| A   | RELEASE TO MFG.  | 08-Apr-13 | 49282 | TD   |
| B   | ADJUST THE BODY & HOUSING WALL THICKNESS<br>VRD-DM16042901S2 | 06-May-16 | ----- | HHE  |

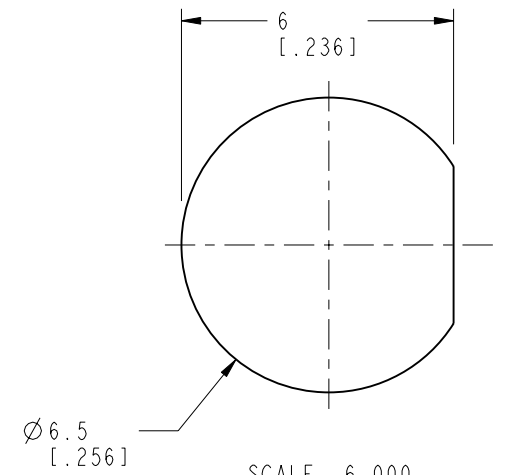
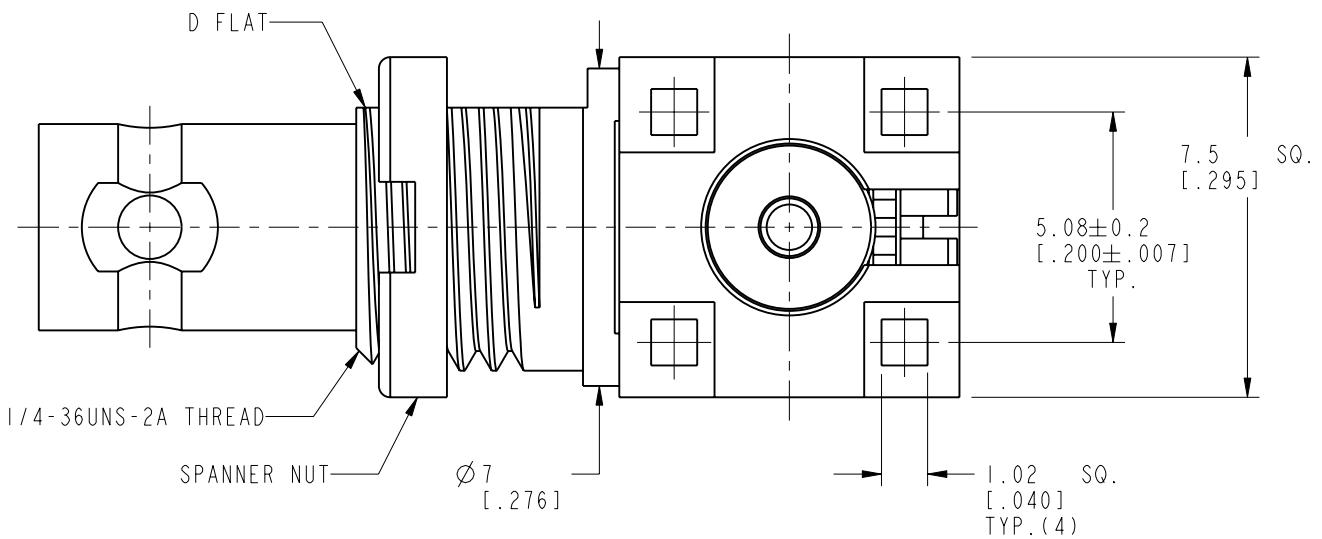


SCALE 3.500



**RECOMMENDED MOUNTING HOLE DIMENSIONS**

SCALE 6.000



**RECOMMENDED PANEL CUTOUT DIMENSIONS**

SCALE 6.000

**CUSTOMER OUTLINE DRAWING**

ALL OTHER SHEETS ARE FOR INTERNAL USE ONLY

|   |            |               |           |                |                  |                                   |  |
|---|------------|---------------|-----------|----------------|------------------|-----------------------------------|--|
| UNLESS OTHERWISE SPECIFIED, DIMENSIONS ARE IN METRIC AND TOLERANCES ARE:<br><0.5mm ±0.05mm    0.5 - 6mm ±0.1mm    6 - 30mm ±0.2mm    30 - 120mm ±0.3mm    ANGLES ±1°<br><br>NOTICE - These drawings, specifications, or other data (1) are, and remain the property of Amphenol corp. (2) must be returned upon request; and (3) are confidential and not to be disclosed to any person other than those to whom they are given by Amphenol Corp. the furnishing of these drawings, specifications, or other data by Amphenol Corp., or to any other person to anyone for any purpose is not to be regarded by implication or otherwise in any manner licensing, granting rights to permitting such holder or any other person to manufacture, use or sell any product, process or design, patented or otherwise, that may in any way be related to or disclosed by said drawings, specifications, or other data. | MATERIAL   | DRAWN         | DATE      | TITLE          |                  | Amphenol RF<br>www.amphenolrf.com |  |
|   | SEE NOTES  | M. ZHANG      | 28-Apr-16 |                |                  |                                   |  |
|   | REFERENCE  | ENGINEER      | DATE      | SCALE: 6.0:1.0 |                  | DRAWING NO. 34-5024               |  |
|   | EAR # 5400 | RAJAVIJAYAN S | 12-Jul-12 | SHEET 2 OF 2   |                  | ITEM NO. 34-5024                  |  |
| CONFIGURATION LEVEL:  | APPROVED   | DATE          | DWG SIZE  |                | PART NO. 34-5024 |                                   |  |
| FINISH  | S. HSIEH   | 28-Apr-16     | B         |                |                  |                                   |  |
|   |            |               | REV       |                |                  |                                   |  |
|   |            |               | B         |                |                  |                                   |  |

# Mouser Electronics

Authorized Distributor

Click to View Pricing, Inventory, Delivery & Lifecycle Information:

[Amphenol:](#)

[034-5024](#)