

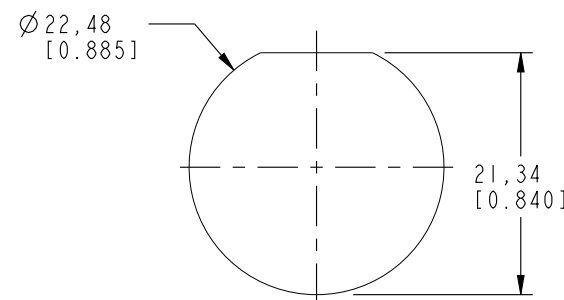
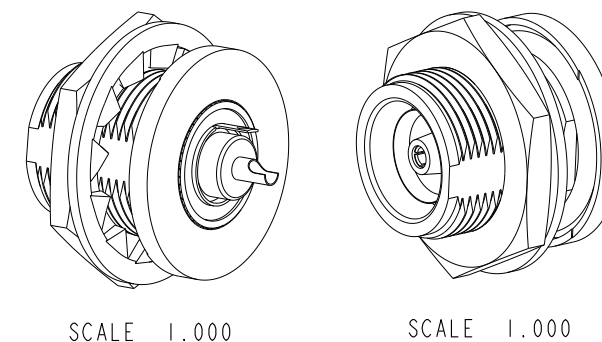
NOTES:

1. MATERIALS AND FINISHES:  
 BODIES, HEX NUT & RING - BRASS, SILVER PLATING  
 CONTACT - BeCu, SILVER PLATING  
 INSULATORS - PTFE, NATURAL  
 O-RING - SILICONE RUBBER, RED  
 LOCK WASHER - PHOSPHOR BRONZE, SILVER PLATING
2. ELECTRICAL:  
 A. FREQUENCY RANGE: DC - 0.5 GHz
3. MECHANICAL:  
 A. DURABILITY: 500 CYCLES MIN.  
 B. TEMPERATURE RANGE: -65°C TO +165°C
4. PACKAGING:  
 A. QUANTITY: SINGLE PACK  
 B. MARKING: BAG TO BE MARKED  
 "AMPHENOL RF, 34475-1003 AND DATE CODE"

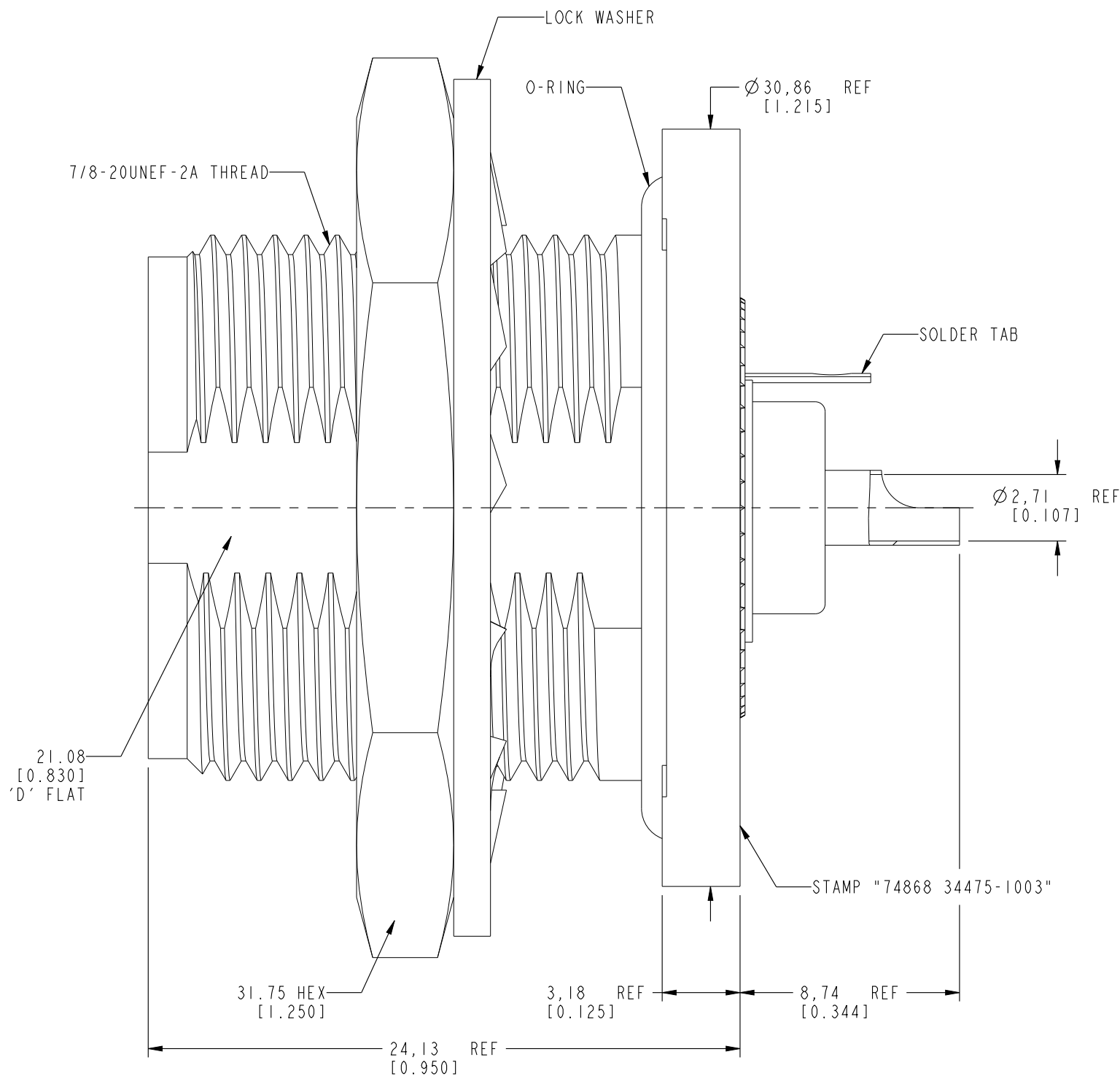
THIRD ANGLE PROJ.

REVISIONS

REV	DESCRIPTION	DATE	ECN	APPR
--	RELEASE TO MFG.	--	--	--
H	REDRAWN IN PRO-E & COD SHEET ADDED	25-Apr-18	7881	PL



**RECOMMENDED MOUNTING HOLE DIMENSIONS**



**CUSTOMER OUTLINE DRAWING**

ALL OTHER SHEETS ARE FOR INTERNAL USE ONLY

UNLESS OTHERWISE SPECIFIED, DIMENSIONS ARE IN METRIC AND TOLERANCES ARE:  
 <0.5mm ±0.05mm    0.5 - 6mm ±0.1mm    6 - 30mm ±0.2mm    30 - 120mm ±0.3mm    ANGLES ±1°

NOTICE - These drawings, specifications, or other data (1) are, and remain the property of Amphenol corp. (2) must be returned upon request; and (3) are confidential and not to be disclosed to any person other than those to whom they are given by Amphenol Corp. the furnishing of these drawings, specifications, or other data by Amphenol Corp., or to any other person to anyone for any purpose is not to be regarded by implication or otherwise in any manner licensing, granting rights to permitting such holder or any other person to manufacture, use or sell any product, process or design, patented or otherwise, that may in any way be related to or disclosed by said drawings, specifications, or other data.

MATERIAL	SEE NOTES	DRAWN	LOKESH P	DATE	12-Apr-18	TITLE	TRIAx STR BHD JACK SOLDER CUP RECEPTACLE	Amphenol RF www.amphenolrf.com	
REFERENCE		ENGINEER	K.CAPOZZI	DATE	12-Apr-18				
EAR#		APPROVED	K.CAPOZZI	DATE	25-Apr-18	SCALE: 11.0:1.0   SHEET 2 OF 2	DRAWING NO. 34475-1003	ITEM NO. 34475-1003	
CONFIGURATION LEVEL:	In Work	CAD FILE							
FINISH						DWG SIZE	B	REV	H
								PART NO.	34475-1003

# Mouser Electronics

Authorized Distributor

Click to View Pricing, Inventory, Delivery & Lifecycle Information:

[Amphenol:](#)

[000-34475-1003](#)