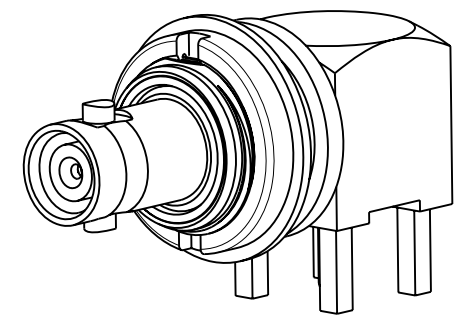


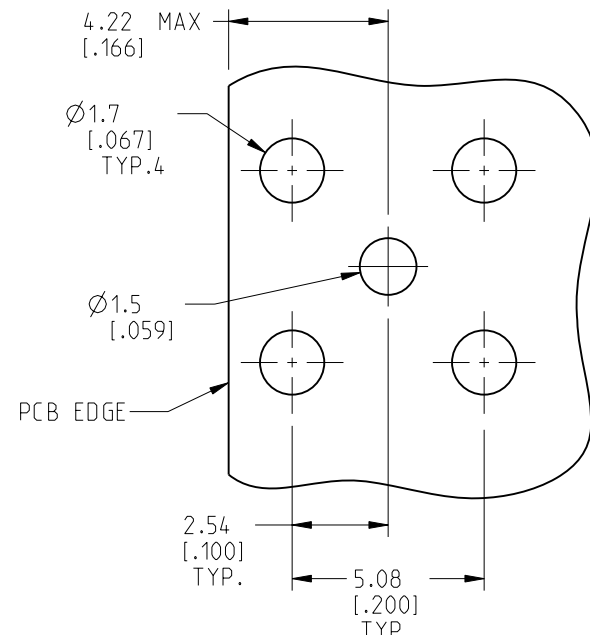
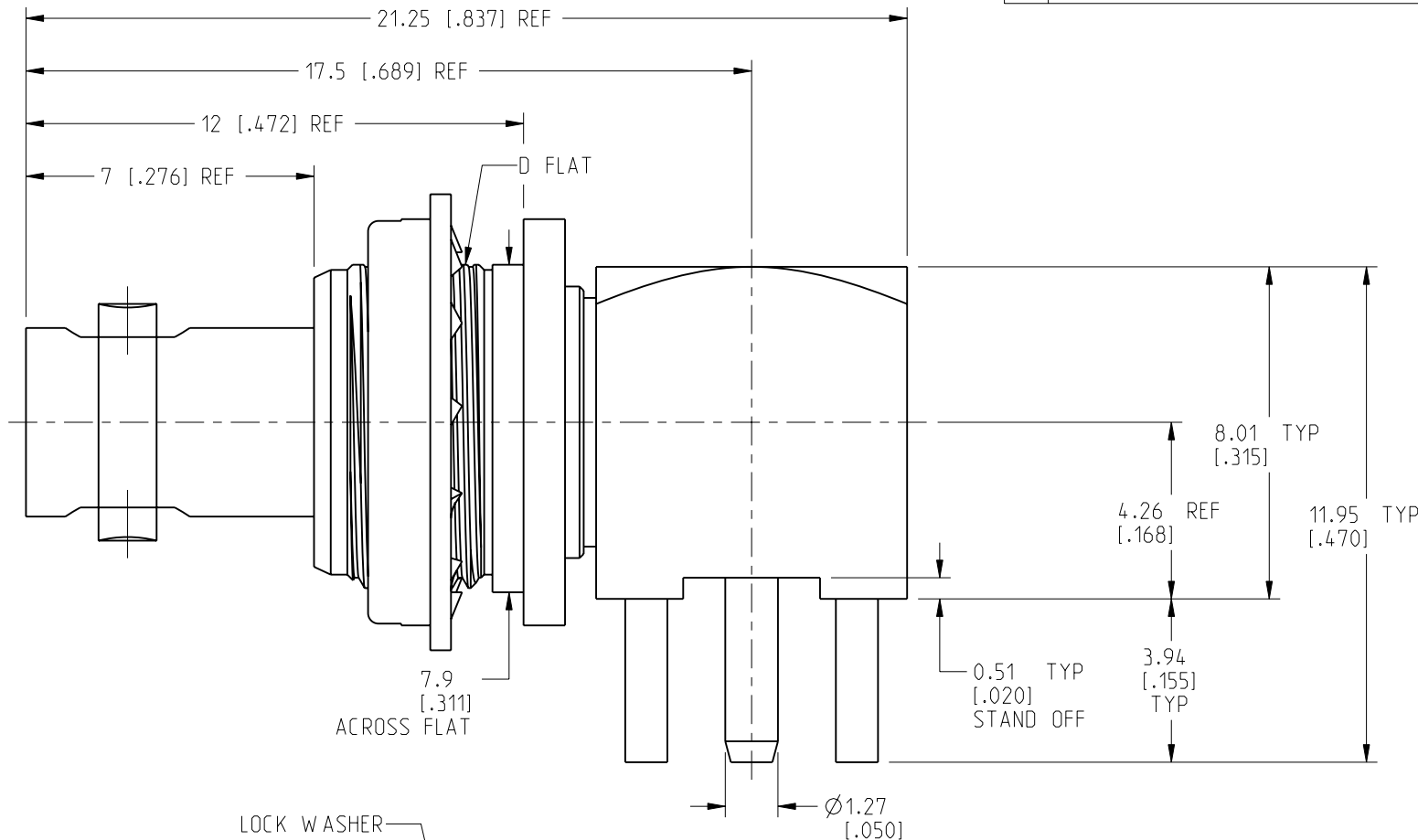
NOTES:

- MATERIALS AND FINISHES:**  
 BODY, LOCK WASHER, SPANNER NUT - BRASS, NICKEL PLATING  
 HOUSING - BRASS, MATTE TIN PLATING  
 CONTACT - BERYLLIUM COPPER, GOLD PLATING  
 INSULATOR - PTFE, NATURAL  
 SLEEVE - DELRIN, NATURAL
- ELECTRICAL:**  
 A. IMPEDANCE: 50 OHM  
 B. FREQUENCY RANGE: DC-6 GHz  
 C. VSWR(RETURN LOSS): 1.30 (17.69 dB), MAX.  
 D. DIELECTRIC WITHSTANDING VOLTAGE: 1000 VRMS, MIN.
- MECHANICAL:**  
 A. DURABILITY: 500 CYCLES MIN.  
 B. TEMPERATURE RANGE: -40° C TO 85° C  
 C. DESIGN NOT SUITABLE FOR REFLOW.
- PACKAGING:**  
 A. QUANTITY: SINGLE PACK  
 B. MARKING: PACKAGING TO BE MARKED  
 "AMPHENOL RF, 34-5066, DATE CODE"

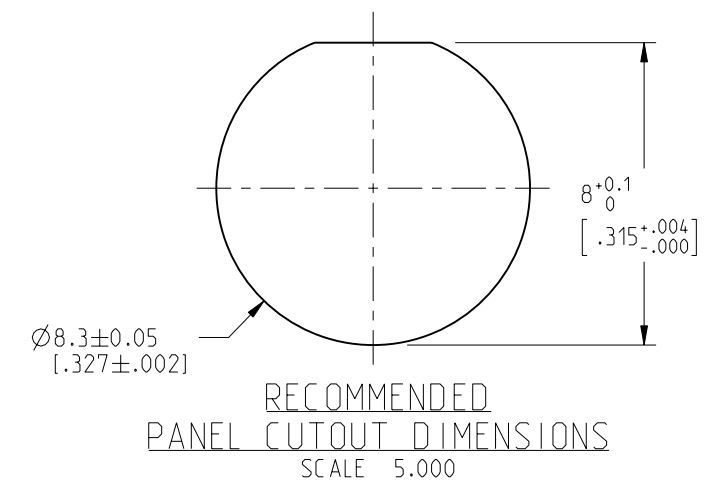
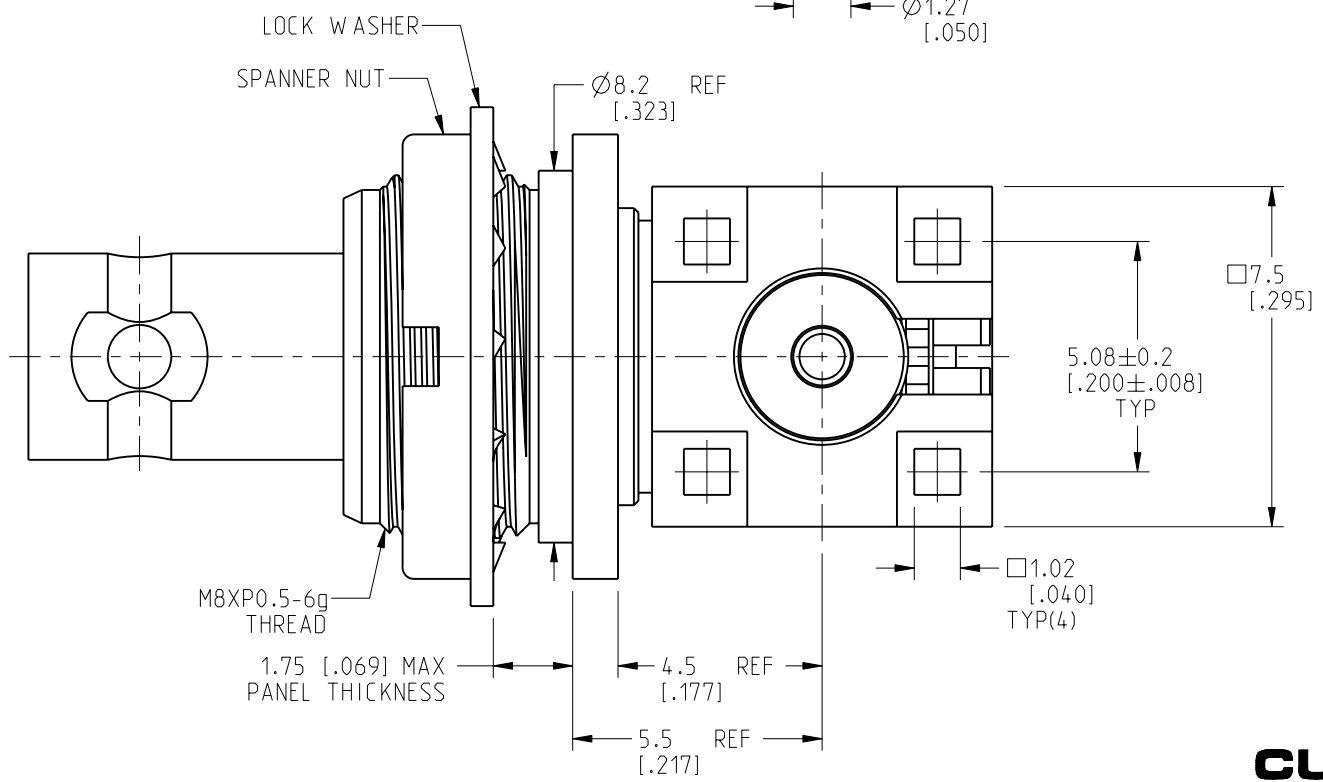
REVISIONS				
REV	DESCRIPTION	DATE	ECN	APPR
A	RELEASE TO MFG.	2-Jul-20	15256	BEW



SCALE 3.000



RECOMMENDED PCB HOLE DIMENSIONS



RECOMMENDED PANEL CUTOUT DIMENSIONS  
SCALE 5.000

**CUSTOMER OUTLINE DRAWING**  
ALL OTHER SHEETS ARE FOR INTERNAL USE ONLY

NOTICE: These drawings, specifications, or other data (1) are, and remain the property of Amphenol corp. (2) must be returned upon request; and (3) are confidential and not to be disclosed to any person other than those to whom they are given by Amphenol Corp. The furnishing of these drawings, specifications, or other data by Amphenol Corp., or to any other person to anyone for any purpose is not to be regarded by implication or otherwise in any manner licensing, granting rights to permitting such holder or any other person to manufacture, use or sell any product, process or design, patented or otherwise, that may in any way be related to or disclosed by said drawings, specifications, or other data.		UNLESS OTHERWISE SPECIFIED DIMENSIONS ARE METRIC (INCHES) AND TOLERANCES ARE: <0.5mm = ±0.05mm [ $\pm 0.002$ ] >0.5 - 6mm = ±0.1mm [ $\pm 0.020 - 0.236 = \pm 0.004$ ] >6.00 - 30mm = ±0.2mm [ $\pm 0.236 - 1.181 = \pm 0.008$ ] >30.00 - 120mm = ±0.3mm [ $\pm 1.181 - 4.725 = \pm 0.012$ ] ANGLES = ±1°		MATERIAL SEE NOTE 1		TITLE 50 OHM HD-BNC R/A JACK, ISOLATED, THRUHOLE PCB MOUNT		<b>Amphenol RF</b>	
THIRD ANGLE PROJ.		REFERENCE 34-5024		ENGINEER WIKI		DATE 18-Jun-20		SHEET NO. 2 OF 2    SCALE: 6.0:1.0	
EAR# 8841		DRAWING NO. 34-5066		ITEM NO. 34-5066		PART NO. 34-5066		REV <b>A</b>	

# Mouser Electronics

Authorized Distributor

Click to View Pricing, Inventory, Delivery & Lifecycle Information:

[Amphenol:](#)

[034-5066](#)