

NOTES:

1. MATERIALS AND FINISHES:  
 BODY, CLAMP NUT, WASHERS, BUSHING & SHELL - BRASS, SILVER PLATING  
 CONTACT - BRASS, GOLD PLATING  
 INSULATOR & BUSHING INSULATOR - PTFE, NATURAL  
 GASKETS - SILICONE RUBBER, RED  
 RETAINING RING & BRAID CLAMP - BRASS, NICKEL PLATING  
 SPRING - BeCu, NICKEL PLATING

2. ELECTRICAL:  
 A. IMPEDANCE: 50 OHM  
 D. DIELECTRIC WITHSTANDING VOLTAGE: 500 VRMS, MIN.

3. MECHANICAL:  
 A. DURABILITY: 500 CYCLES MIN.  
 B. TEMPERATURE RANGE: -65° C TO +165° C

4. PACKAGING:  
 A. QUANTITY: SINGLE PACK  
 B. MARKING: BAG TO BE MARKED  
 "AMPHENOL RF, 31-3302, AND DATE CODE"

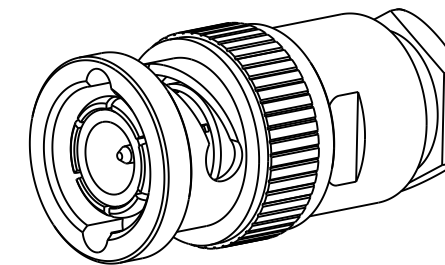
5. CABLE ASSEMBLY INSTRUCTIONS:  
 A. STRIP CABLE AS SHOWN.  
 B. SLIDE CLAMP NUT, WASHER, GASKET & BRAID CLAMP OVER CABLE SHEATH.  
 C. SOLDER CABLE CENTER CONDUCTOR TO CENTER CONTACT.  
 LEAD FREE SOLDER IS RECOMMENDED  
 D. SLIDE SUB-ASSEMBLY TO THE REAR SIDE OF THE BODY AND TIGHTEN WITH PROPER SPANNER. MAKE ENSURE INTERFACE DIMENSIONS TO MEET.

6 SHOWS CABLE ENTRY DIMENSIONS

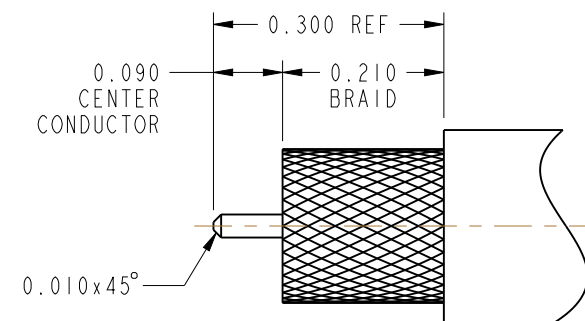
THIRD ANGLE PROJ.

REVISIONS

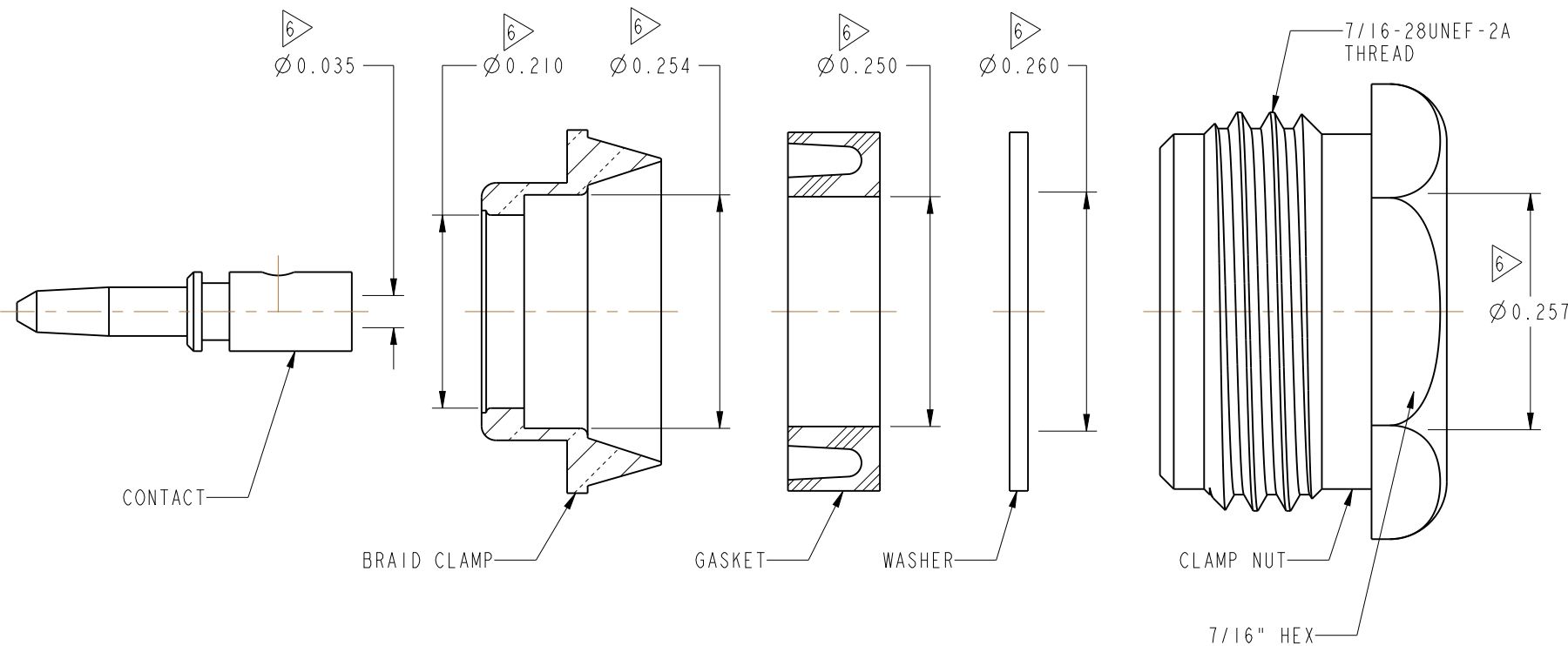
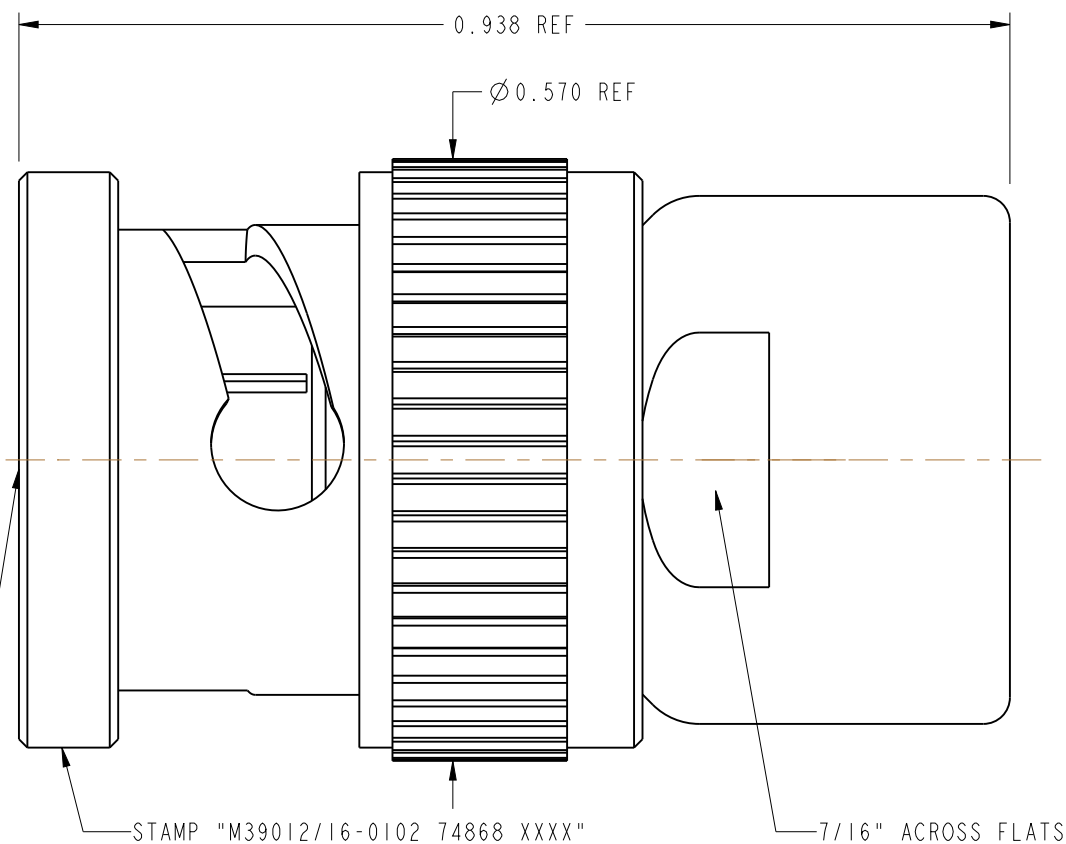
REV	DESCRIPTION	DATE	ECO	APPR
A	RELEASE TO MFG.	11-Nov-66	14122	--
Y	ADD STAMPING	22-Jul-11	48642	CPM
AA	FORMAT UPDATED	5/9/16	00562	VK



SCALE 2.000



RECOMMENDED CABLE STRIPPING DIMENSIONS



THIS CONNECTOR IS COVERED BY U.S. PATENT 3,439,249

MIL-C-39012 INSPECTION

CUSTOMER OUTLINE DRAWING

ALL OTHER SHEETS ARE FOR INTERNAL USE ONLY

UNLESS OTHERWISE SPECIFIED, DIMENSIONS ARE IN INCHES AND TOLERANCES ARE: 2 PLACE DECIMAL 3 PLACE DECIMAL ANGLES ±.015 (0,381 mm) ±.005 (0,127 mm) ± 1°	MATERIAL	DRAWN	DATE	TITLE BNC STR PLUG UG-CLAMP (CATEGORY-A) FOR RG 62C/U, 140B/U & 210/U CABLES		Amphenol RF www.amphenolrf.com
	SEE NOTES	NISCHIT MV	05-Oct-09			
NOTICE - These drawings, specifications, or other data (1) are, and remain the property of Amphenol corp. (2) must be returned upon request; and (3) are confidential and not to be disclosed to any person other than those to whom they are given by Amphenol Corp. the furnishing of these drawings, specifications, or other data by Amphenol Corp., or to any other person to anyone for any purpose is not to be regarded by implication or otherwise in any manner licensing, granting rights to permitting such holder or any other person to manufacture, use or sell any product, process or design, patented or otherwise, that may in any way be related to or disclosed by said drawings, specifications, or other data.	REFERENCE	ENGINEER	DATE	SCALE: 5.5:1.0 SHEET 2 OF 2		DRAWING NO. 31-3302
	MIL-C-39012/16-0102	D. ROYCE	12-Apr-09			
CONFIGURATION LEVEL: In Work	APPROVED	DATE		DWG SIZE B	REV AA	ITEM NO. 31-3302
FINISH	K. CAPOZZI	5/9/16				

# Mouser Electronics

Authorized Distributor

Click to View Pricing, Inventory, Delivery & Lifecycle Information:

[Amphenol:](#)

[31-3302](#) [031-3302](#)