

NOTES:

1. MATERIALS AND FINISHES:

- FERRULE - COPPER, NICKEL PLATING
- BODY - BRASS, NICKEL PLATING
- CONTACT - PHOSPHOR BRONZE, GOLD PLATING
- INSULATOR - PTFE, NATURAL
- OTHER METAL PARTS - BRASS, NICKEL PLATING
- GASKET - SILICONE RUBBER, RED

2. ELECTRICAL:

- A. IMPEDANCE: 50 OHM
- B. FREQUENCY RANGE: DC-3 GHz
- C. DIELECTRIC WITHSTANDING VOLTAGE: 1000 VRMS, MIN.

3. MECHANICAL:

- A. DURABILITY: 500 CYCLES MIN.
- B. TEMPERATURE RANGE: -65°C TO +165°C

4. WHEN CRIMPING CONTACT PIN TO CABLE, CRIMP WITH AMPHENOL TOOL 227-944 (M22520/5-01) AND DIE SET 227-1221-09, CAVITY 'B' (M22520/5-09, CLOSURE 'B')

5. WHEN CRIMPING FERRULE TO CABLE, CRIMP WITH AMPHENOL TOOL 277-944 (M22520/5-01) AND DIE SET 227-1221-09 CAVITY 'A' (M22520/5-09, CLOSURE 'A')

6. PACKAGING:
 A. PACKAGE CONNECTOR IN BAG.
 B. MARKING: PACKAGING TO BE MARKED "AMPHENOL RF, 31-2318 & DATE CODE, 5A 500V"

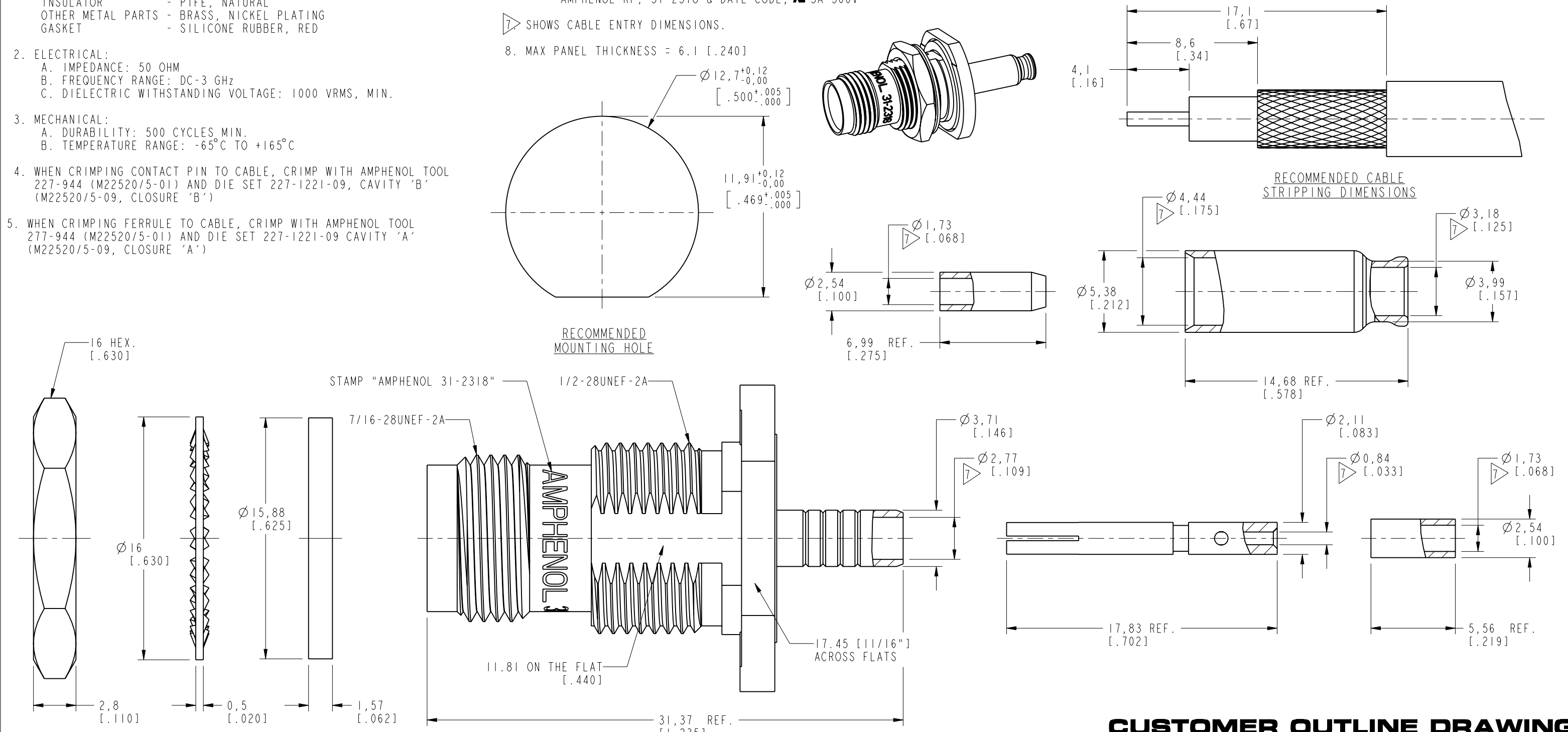
7. SHOWS CABLE ENTRY DIMENSIONS.

8. MAX PANEL THICKNESS = 6.1 [.240]

THIRD ANGLE PROJ.

REVISIONS

REV	DESCRIPTION	DATE	ECN	APPR
--	RELEASE TO MFG.	3/13/65	11933	--
T	SYNC, UPDATE DRAWING FORMAT	21-Nov-19	13682	SH



PROTECTED UNDER U.S. PATENT # 3,439,294

CUSTOMER OUTLINE DRAWING
 ALL OTHER SHEETS ARE FOR INTERNAL USE ONLY

UNLESS OTHERWISE SPECIFIED, DIMENSIONS ARE IN METRIC AND TOLERANCES ARE: <0.5mm ±0.05mm 0.5 - 6mm ±0.1mm 6 - 30mm ±0.2mm 30 - 120mm ±0.3mm ANGLES ±1°	MATERIAL	DRAWN	DATE	TITLE	Amphenol RF www.amphenolrf.com
	SEE NOTES	M. ZHANG	18-Nov-19	TNC BHD CRIMP JACK (FOR RG-174/U, 188A/U, 316/U CABLE)	
NOTICE - These drawings, specifications, or other data (1) are, and remain the property of Amphenol corp. (2) must be returned upon request; and (3) are confidential and not to be disclosed to any person other than those to whom they are given by Amphenol Corp. the furnishing of these drawings, specifications, or other data by Amphenol Corp., or to any other person to anyone for any purpose is not to be regarded by implication or otherwise in any manner licensing, granting rights to permitting such holder or any other person to manufacture, use or sell any product, process or design, patented or otherwise, that may in any way be related to or disclosed by said drawings, specifications, or other data.	REFERENCE	ENGINEER	DATE	SCALE: 4.0:1.0	DRAWING NO. 31-2318
	EAR# DOR 302113-51	D. ROYCE	29-Sep-89	18-Nov-19	SHEET 2 OF 2
CONFIGURATION LEVEL: In Work	REF:	APPROVED	DATE	DWG SIZE	PART NO. 31-2318
FINISH		S. HSIEH	18-Nov-19	B	
		CAD FILE		REV	
				T	

Mouser Electronics

Authorized Distributor

Click to View Pricing, Inventory, Delivery & Lifecycle Information:

[Amphenol:](#)

[031-2318](#)