

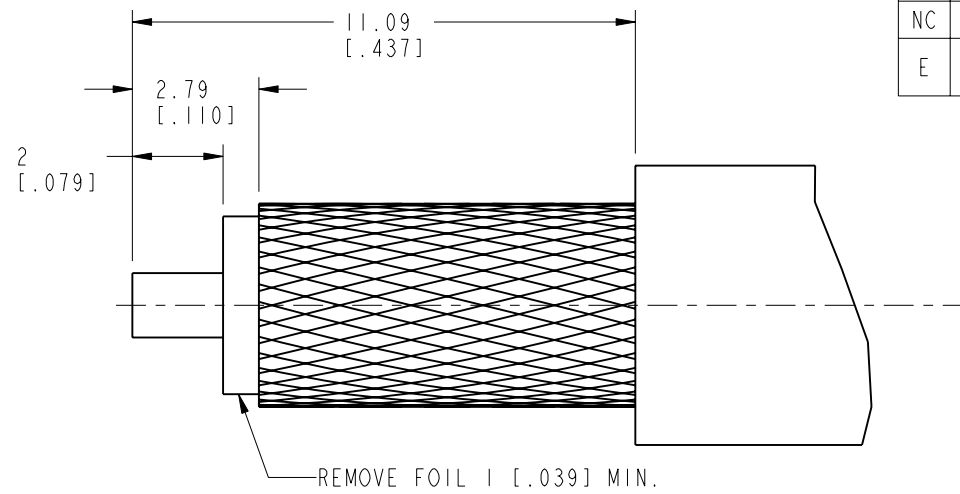
NOTES:

1. MATERIALS AND FINISHES:
 BODY, BARREL, & SLEEVE - BRASS, WHITE BRONZE PLATING
 FERRULE - COPPER, WHITE BRONZE PLATING
 CONTACT - BRASS, GOLD PLATING
 OUTER CONTACT - PHOSPHOR BRONZE, WHITE BRONZE PLATING
 INSULATOR - PTFE, NATURAL
2. ELECTRICAL:
 A. IMPEDANCE: 50 OHM
 B. FREQUENCY RANGE: DC - 6 GHz
 C. DIELECTRIC WITHSTANDING VOLTAGE: 1000 VRMS, MIN.
3. MECHANICAL:
 A. DURABILITY: 100 CYCLES MIN.
 B. TEMPERATURE RANGE: -40° C TO +85° C
4. PACKAGING:
 A. QUANTITY: SINGLE PACK
 B. MARKING: BAG TO BE MARKED
 "AMPHENOL RF, 134104, AND DATE CODE"
5. RECOMMENDED CABLE ASSEMBLY INSTRUCTIONS:
 A. TRIM CABLE AS SHOWN.
 B. SOLDER CABLE CENTER CONDUCTOR TO CONTACT.
 C. INSERT CABLE WITH FOIL ENTERING CONNECTOR AND BRAID OVER KNURL.
 D. CRIMP FERRULE OVER BRAID WITH .255" HEX DIE.

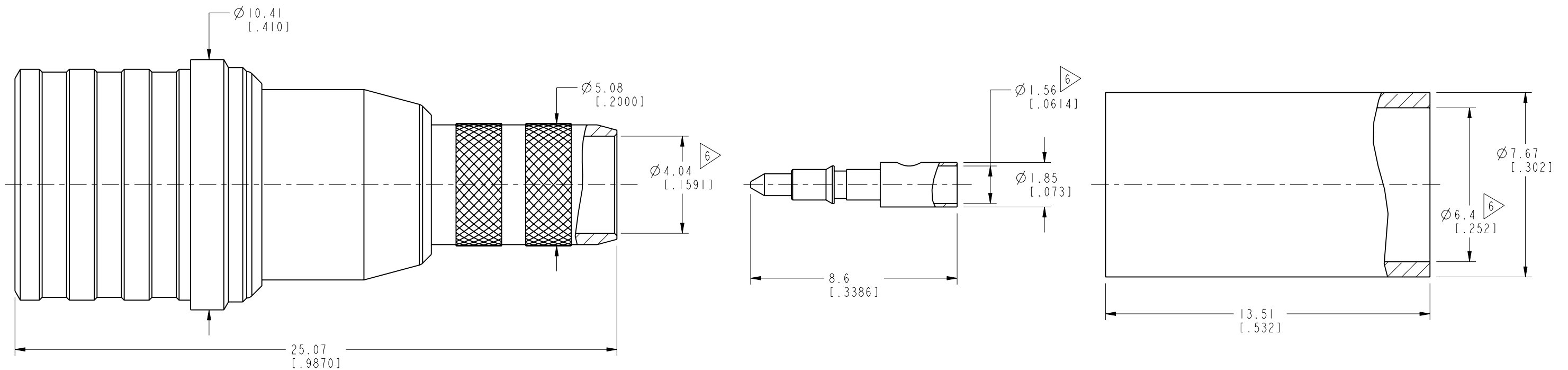
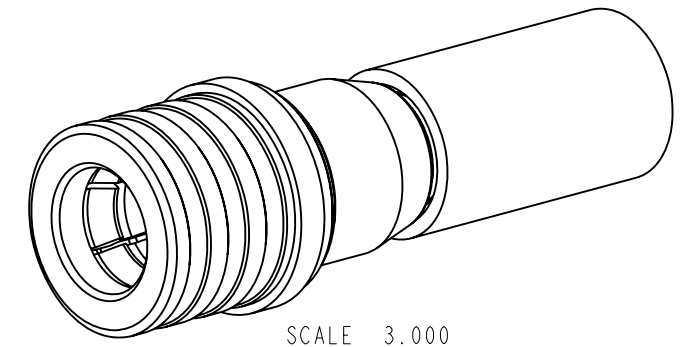
6. SHOWS CABLE ENTRY DIMENSIONS.

THIRD ANGLE PROJ.

REVISIONS				
REV	DESCRIPTION	DATE	ECO	APPR
NC	INITIAL RELEASE	07-Jun-11	-----	MZ
E	RE-DRAW IN PRO-E, REVISE BODY FOR ADDITIONAL INSULATOR RETENTION	19-Dec-16	02649	SH



RECOMMENDED
CABLE STRIPPING DIM'S



CUSTOMER OUTLINE DRAWING

ALL OTHER SHEETS ARE FOR INTERNAL USE ONLY

UNLESS OTHERWISE SPECIFIED, DIMENSIONS ARE IN METRIC AND TOLERANCES ARE: <0.5mm ±0.05mm 0.5 - 6mm ±0.1mm 6 - 30mm ±0.2mm 30 - 120mm ±0.3mm ANGLES ±1°	MATERIAL	DRAWN	DATE	TITLE		Amphenol RF www.amphenolrf.com
	SEE NOTES	M. ZHANG	16-Dec-16	QMA 50 OHM CRIMP PLUG (FOR LMR-240 CABLE)		
	REFERENCE	C. WANG	12-Jun-07	APPROVED	DATE	DRAWING NO. QMA1121A1-AT30GS-LMR240-50
	CONFIGURATION LEVEL: In Work	K. CAPOZZI	16-Dec-16	CAD FILE	SCALE: 6.0:1.0 SHEET 2 OF 2	ITEM NO. 701121AAAAIAR5F
FINISH				DWG SIZE B	REV E	PART NO. 134104

Mouser Electronics

Authorized Distributor

Click to View Pricing, Inventory, Delivery & Lifecycle Information:

[Amphenol:](#)

[134104](#)