

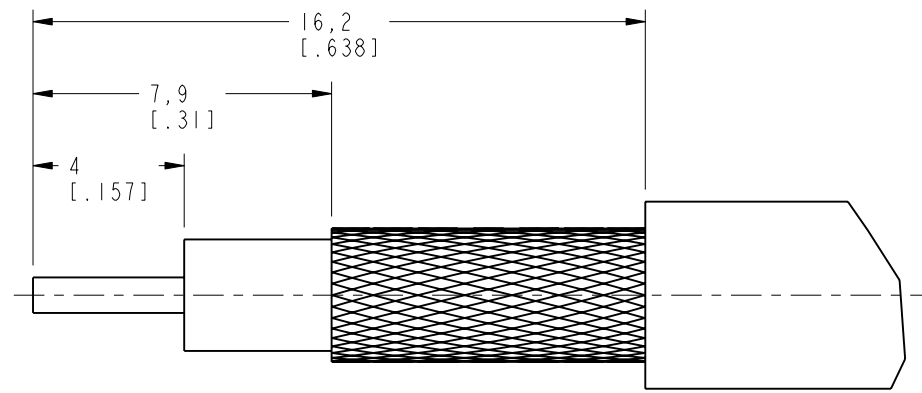
NOTES:

- MATERIALS AND FINISHES:
 - FERRULE - BRASS, NICKEL PLATING
 - RETAINER RING - BRASS, NICKEL PLATING
 - SPRING - BeCu, NICKEL PLATING
 - CONTACT PIN - BRASS, GOLD PLATING
 - BODY - BRASS, NICKEL PLATING
 - INSULATOR & SLEEVE - DELRIN, NATURAL
 - GASKET - SILICONE RUBBER, RED
 - COUPLING NUT - BRASS, NICKEL PLATING
 - ELECTRICAL:
 - A. IMPEDANCE: 75 OHM, NOMINAL
 - B. FREQUENCY RANGE: DC TO 3 GHz
 - C. D.W.V: 1500 VRMS, MIN.
 - MECHANICAL:
 - A. DURABILITY: 500 CYCLES MIN.
 - B. TEMPERATURE RANGE: -40°C TO +85°C
 - CRIMPED FERRULE HEX. CRIMP SIZE .178"
 - CRIMPED CONTACT PIN HEX. CRIMP SIZE .068" OR SOLDER
- 6 SHOWS CABLE ENTRY DIMENSIONS.

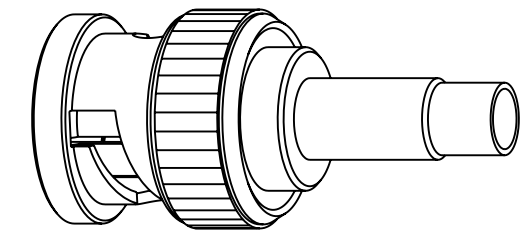
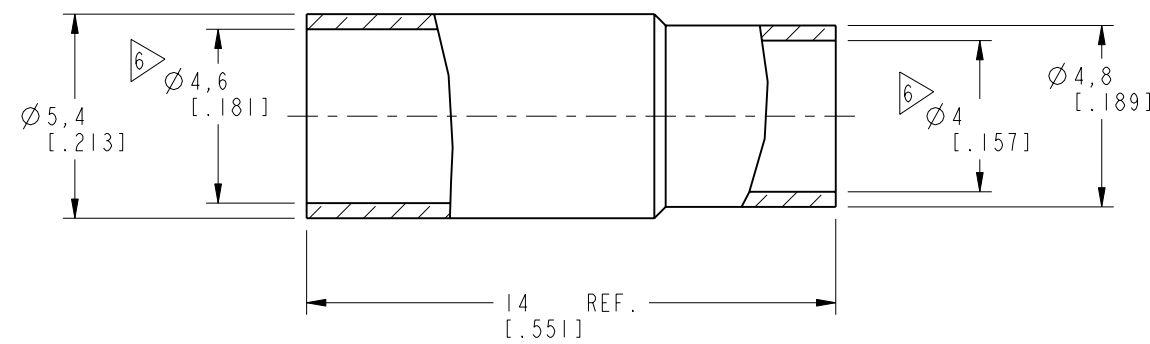
THIRD ANGLE PROJ.

REVISIONS

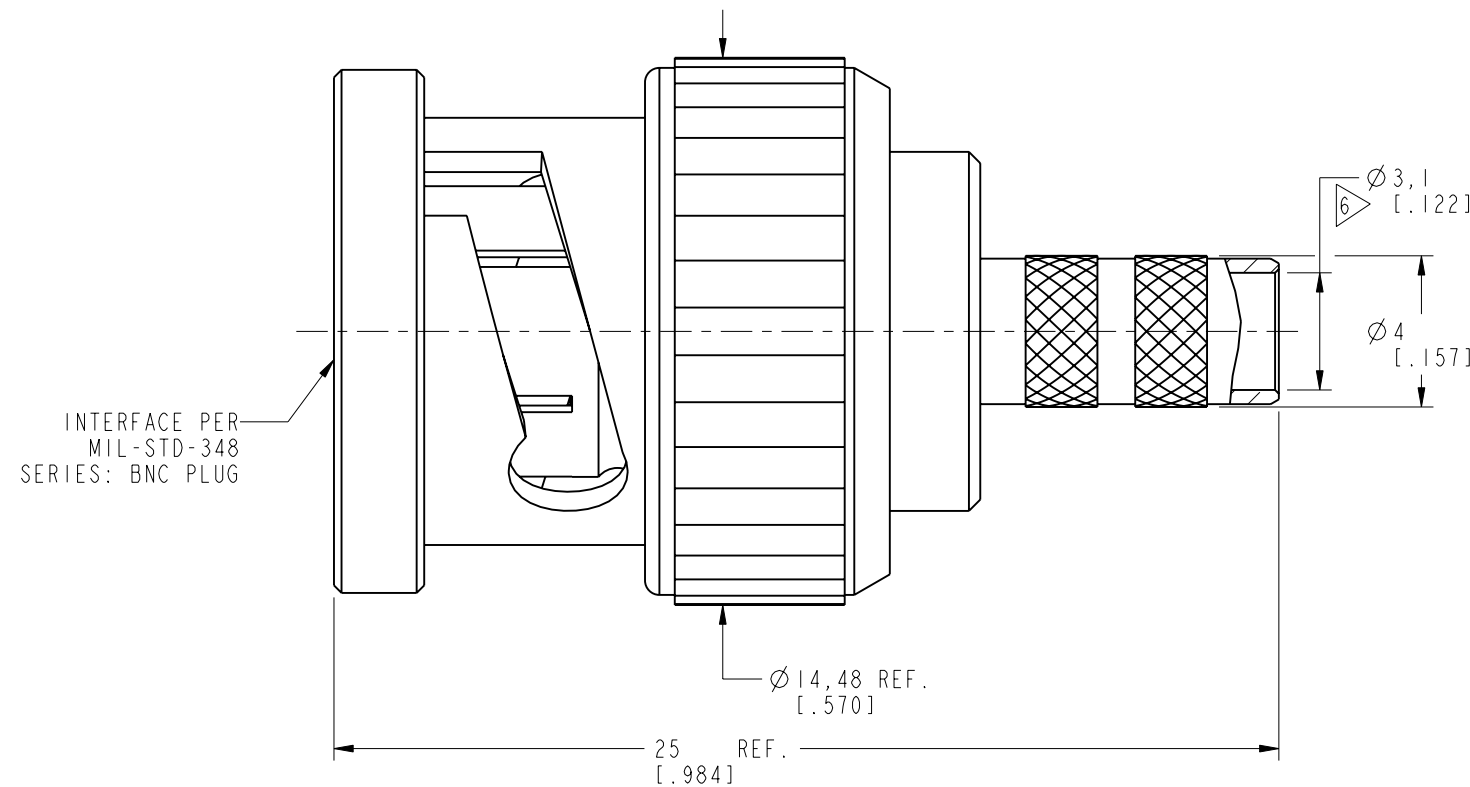
REV	DESCRIPTION	DATE	ECN	APPR
NC	INITIAL RELEASE	22-May-03	-----	GRS
A	CORRECT PN & DESCRIPTION	18-May-05	-----	GRS
B	ADD "75 OHM" TO DESCRIPTION	24-Oct-06	-----	GRS
C	REVISE NOTE 4 TO .178" HEX CRIMP	27-Oct-08	-----	GRS
D	REMOVED THE STAMP, PART NO. WAS CHANGED TO "112556"	16-Apr-19	11244	SH



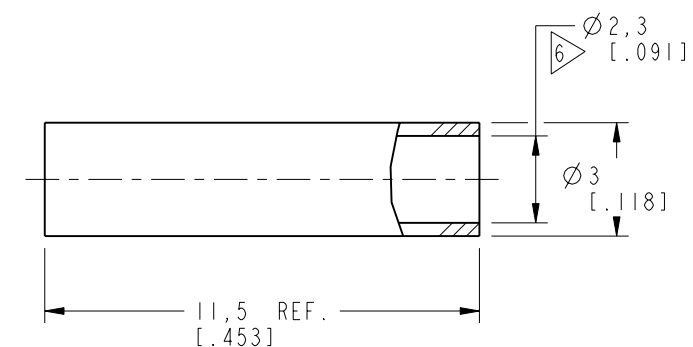
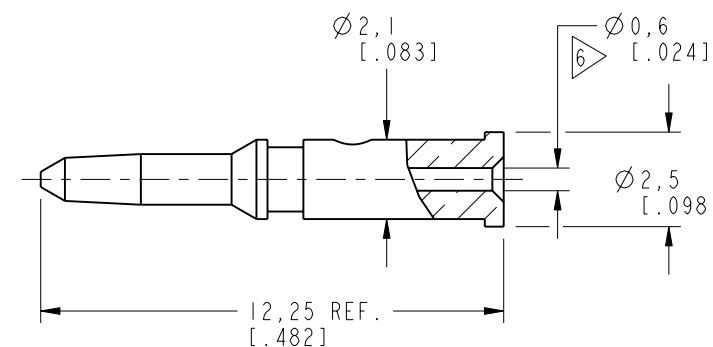
RECOMMENDED CABLE STRIPPING DIM'S



SCALE 2.000



INTERFACE PER MIL-STD-348 SERIES: BNC PLUG



CUSTOMER OUTLINE DRAWING
ALL OTHER SHEETS ARE FOR INTERNAL USE ONLY

UNLESS OTHERWISE SPECIFIED, DIMENSIONS ARE IN METRIC AND TOLERANCES ARE: <0.5mm ±0.05mm 0.5 - 6mm ±0.1mm 6 - 30mm ±0.2mm 30 - 120mm ±0.3mm ANGLES ±1°	MATERIAL	DRAWN	DATE	TITLE BNC CRIMP PLUG - 75 OHM (FOR B573945, MINI MAX 500 CABLE)	Amphenol RF www.amphenolrf.com	
	REFERENCE	ENGINEER	DATE			
NOTICE - These drawings, specifications, or other data (1) are, and remain the property of Amphenol corp. (2) must be returned upon request; and (3) are confidential and not to be disclosed to any person other than those to whom they are given by Amphenol Corp. the furnishing of these drawings, specifications, or other data by Amphenol Corp., or to any other person to anyone for any purpose is not to be regarded by implication or otherwise in any manner licensing, granting rights to permitting such holder or any other person to manufacture, use or sell any product, process or design, patented or otherwise, that may in any way be related to or disclosed by said drawings, specifications, or other data.	EAR#	ROBIN	05-Jul-00	SCALE: 5.0:1.0 SHEET 2 OF 2	DRAWING NO. CN-BM73-18-ND3G-75	
	REF:	APPROVED	S.HSIEH		15-Apr-19	ITEM NO. 011121AAZA3ND7F
CONFIGURATION LEVEL: In Work	CAD FILE			DWG SIZE B	REV D	PART NO. 112556

Mouser Electronics

Authorized Distributor

Click to View Pricing, Inventory, Delivery & Lifecycle Information:

[Amphenol:](#)

[112556B](#)