

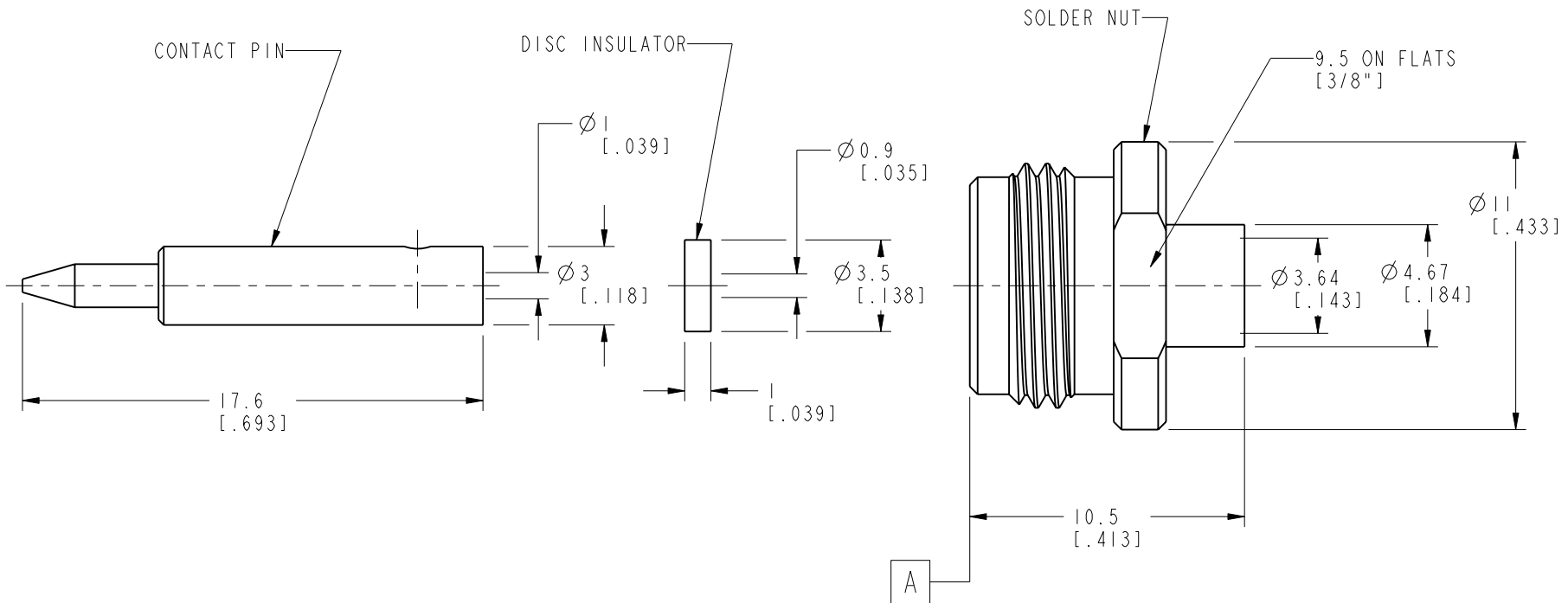
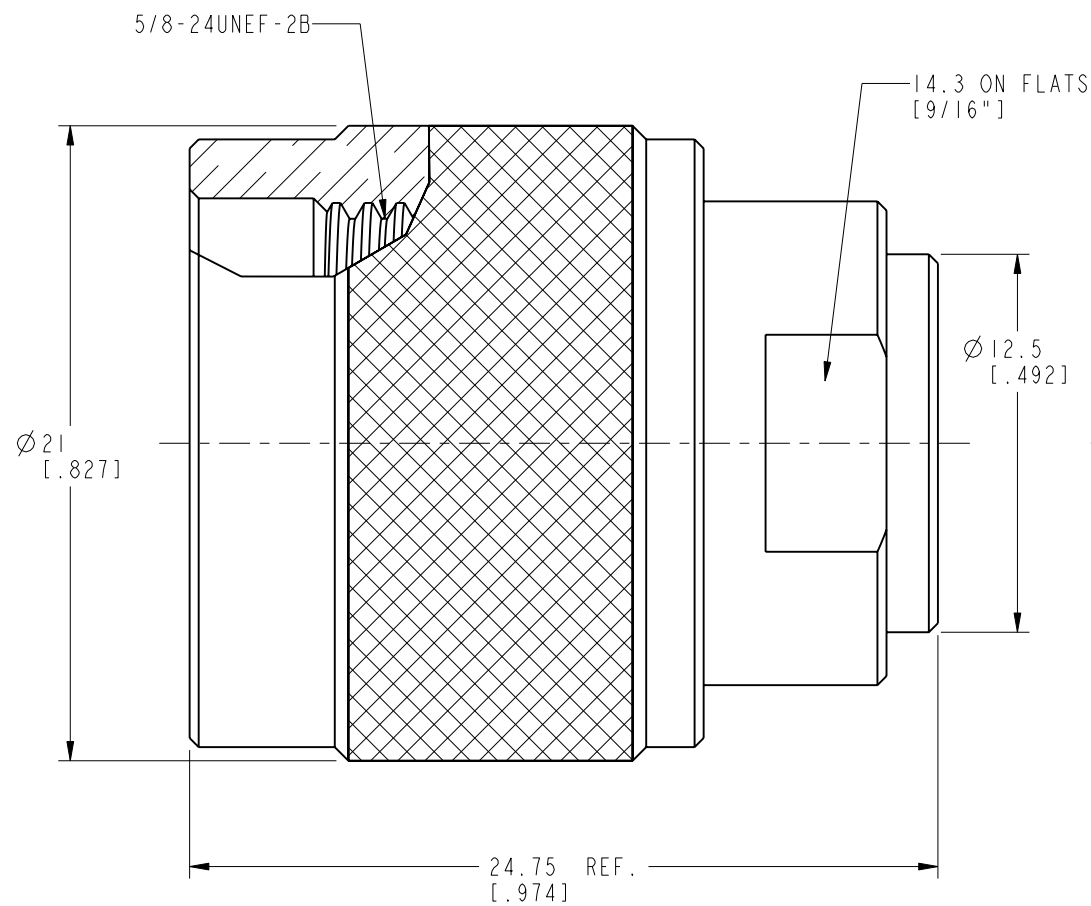
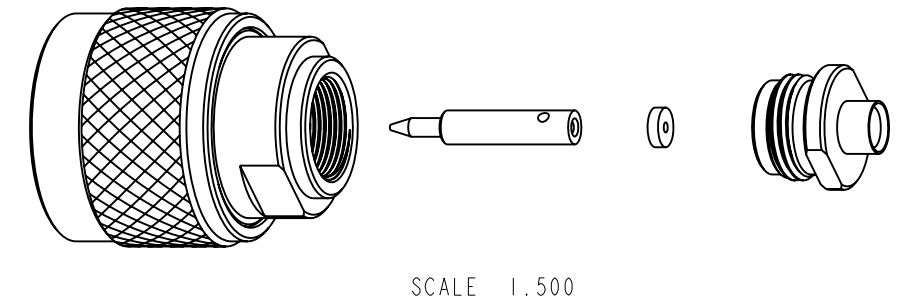
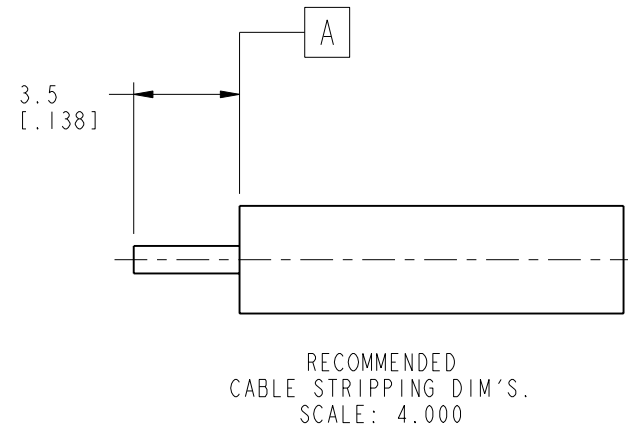
NOTES:

1. MATERIALS AND FINISHES):
 SHELL & BODY - BRASS, NICKEL PLATING
 CONTACT PIN & BARREL - BRASS, GOLD PLATED
 INSULATOR - PTFE
 GASKET - SILICONE RUBBER, COLOR RED
 RETAINER RING - STAINLESS STEEL, NATURAL
2. ELECTRICAL:
 A. IMPEDANCE: 50 OHM
3. MECHANICAL:
 A. DURABILITY: 500 CYCLES MIN.
 B. TEMPERATURE RANGE: -65° C TO +165° C
4. ASSEMBLY INSTRUCTION:
 A. ALIGN DATUM A AND SOLDER OUTER CONDUCTOR;
 B. INSTALL DISC INSULATOR AND SOLDER CONTACT;
 C. THREAD TOGETHER AND TIGHTEN WITH WRENCH.

THIRD ANGLE PROJ.

REVISIONS

REV	DESCRIPTION	DATE	ECO	APPR
A	RELEASE TO MFG.	10/7/99	43149	CPM
D	INSULATOR WAS CHANGED	30-Aug-11		SH
E	SYNC THE DRAWING WITH DANBURY	22-Feb-13	49456	SH



CUSTOMER OUTLINE DRAWING

ALL OTHER SHEETS ARE FOR INTERNAL USE ONLY

UNLESS OTHERWISE SPECIFIED, DIMENSIONS ARE IN METRIC AND TOLERANCES ARE: <0.5mm ±0.05mm 0.5 - 6mm ±0.1mm 6 - 30mm ±0.2mm 30 - 120mm ±0.3mm ANGLES ±1°	MATERIAL	DRAWN T. DENG	DATE 22-Feb-13	TITLE N DIRECT SOLDER PLUG (FOR .141" CABLE)	Amphenol RF www.amphenolrf.com
	REFERENCE	ENGINEER S. LI	DATE 22-Feb-13		
NOTICE - These drawings, specifications, or other data (1) are, and remain the property of Amphenol corp. (2) must be returned upon request; and (3) are confidential and not to be disclosed to any person other than those to whom they are given by Amphenol Corp. the finishing of these drawings, specifications, or other data by Amphenol Corp., or to any other person to anyone for any purpose is not to be regarded by implication or otherwise in any manner licensing, granting rights to permitting such holder or any other person to manufacture, use or sell any product, process or design, patented or otherwise, that may in any way be related to or disclosed by said drawings, specifications, or other data.	CONFIGURATION LEVEL:	APPROVED S. HSIEH	DATE 22-Feb-13	SCALE: 4.0:1.0 SHEET 2 OF 2	ITEM NO. 031181AAB42GJ5F
	FINISH	CAD FILE	DWG SIZE B	REV E	PART NO. 82-5955-RFX

Mouser Electronics

Authorized Distributor

Click to View Pricing, Inventory, Delivery & Lifecycle Information:

[Amphenol:](#)

[082-5955-RFX](#)