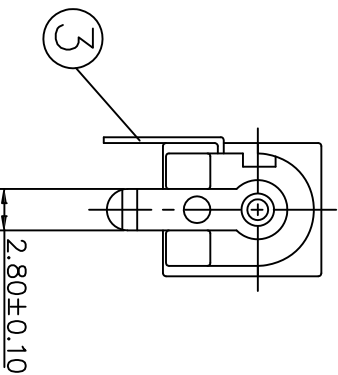
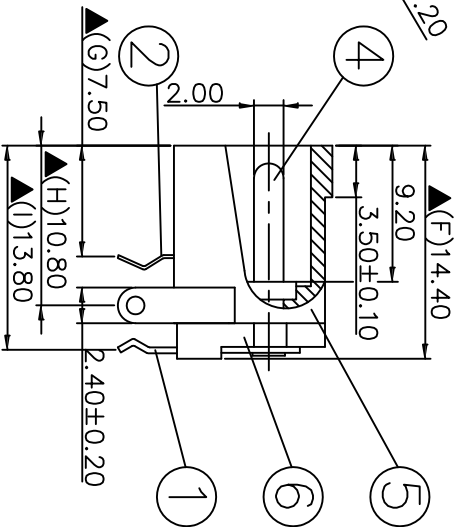
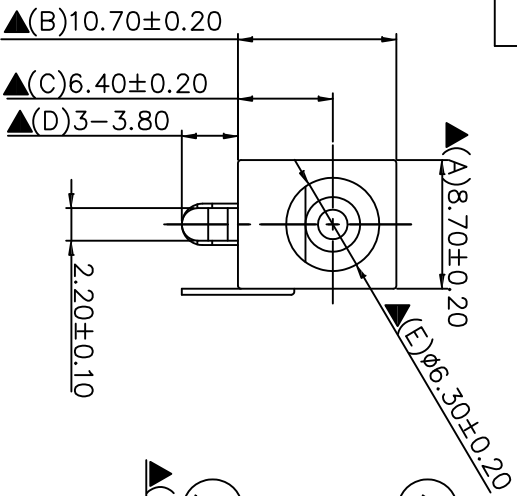
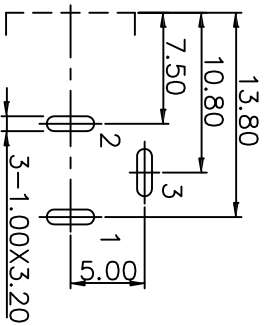


SCHEMATIC	
MODEL NO	C



NO.	Description	Material	Q'TY	Finish
6.	Cover	PBT+50% Fibre Glass	1	Black Color
5.	Housing	PBT+50% Fibre Glass	1	Black Color
4.	Pin(2.0Ø)	Copper	1	Nickel Plated
3.	Breck Terminal	0.4T Brass	1	Silver Plated
2.	Sleeve Spring	0.2T Phosphor Bronze	1	Silver Plated
1.	Pin Terminal	0.4T Brass	1	Silver Plated

Pin Hole Layout
(Jack Bottom View)



SPECIFICATIONS:
 Contact Resistance : 30mΩ max
 Current Rating : Max 5.0A , 24V DC
 Insulation Resistance : 100MΩ min. at DC 500V
 Dielectric Withstand Voltage : AC 500V for one minute
 (A -I) are important Dimensions



THIS DRAWING MAY NOT BE COPIED OR REPRODUCED IN ANY WAY, AND MAY NOT BE PASSED ON TO A THIRD PARTY WITHOUT WRITTEN PERMISSION. OWNERSHIP AND COPYRIGHT OF CONEC CORPORATION

DO NOT ALTER CAD DRAWING BY HAND

CONEC CORPORATION Brampton, Ontario		tolerance unless otherwise specified Diametric : ± 0.13 Angles :	scale: SEE SPECIFICATIONS
rev	description	date	name
a	Original	Jan/10/2013	Robert

2005	date	name	title:
drawn	April 27	Vincent Ke	DC POWER JACK
appd.	April 27	J. Chaudry	(OD: 2.00mm)
norm			
q-oid			

drawing no.:	AutoCAD 2004	DIN
part no.:	C0504R06A	A3
	33DCJ-0202-A	sheet
		1/1

used for:

Mouser Electronics

Authorized Distributor

Click to View Pricing, Inventory, Delivery & Lifecycle Information:

[Amphenol:](#)

[33DCJ-0202-A](#)