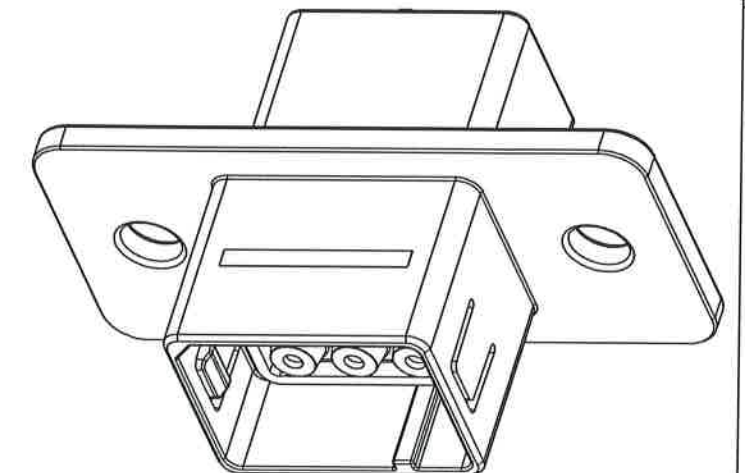
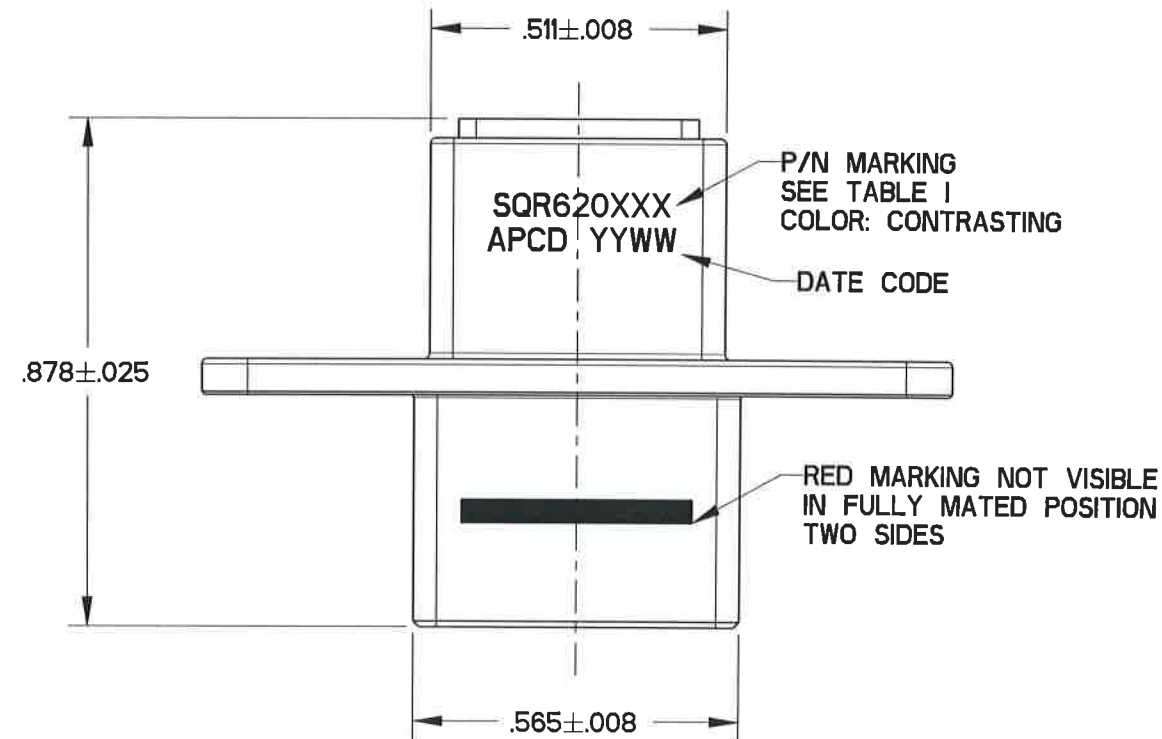
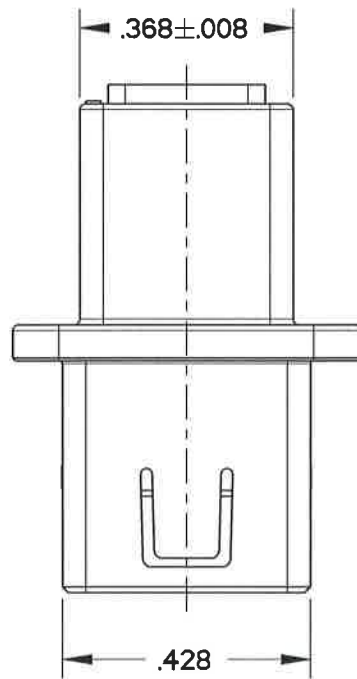
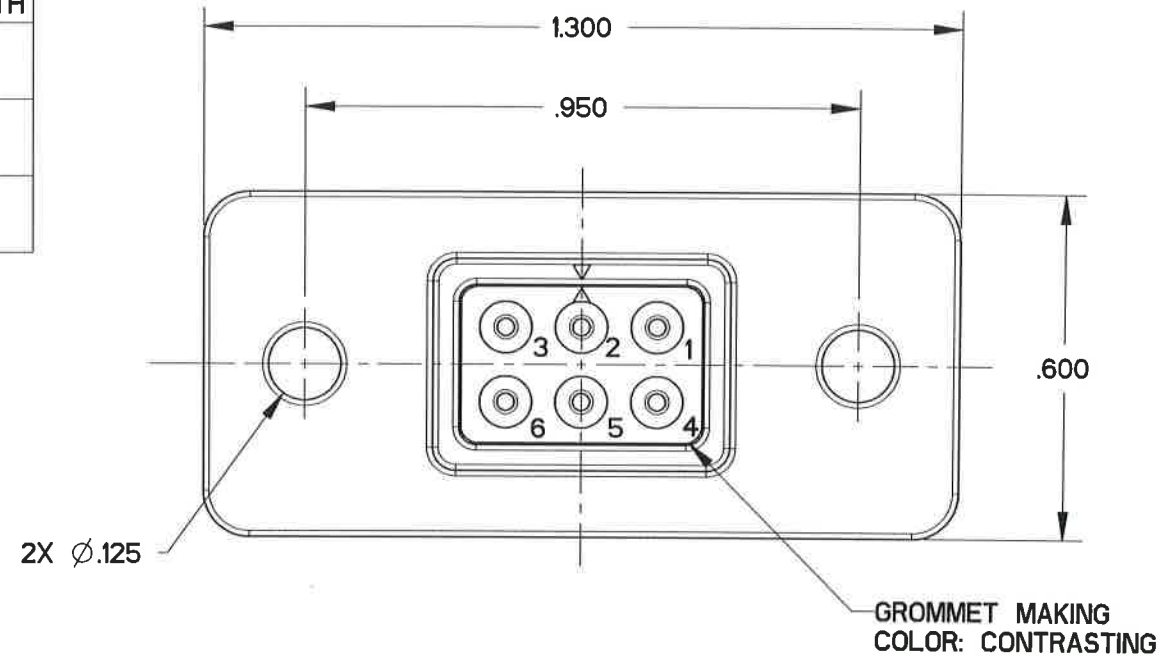


SQR620700

REV	ECN	APP'D
-	8175	WLC 11/10/17

TABLE I - PART NUMBER SCHEME

APCD P/N	CONTACTS SUPPLIED	COLOR / KEY	P/N MARKING	PART MATES WITH
SQR620721	(6) M39029/58-363	WHITE / C	SQR620720	SQR620170
SQR620720	NONE			
SQR620711	(6) M39029/58-363	GREEN / B	SQR620710	SQR620160
SQR620710	NONE			
SQR620701	(6) M39029/58-363	BLACK / A	SQR620700	SQR620150
SQR620700	NONE			



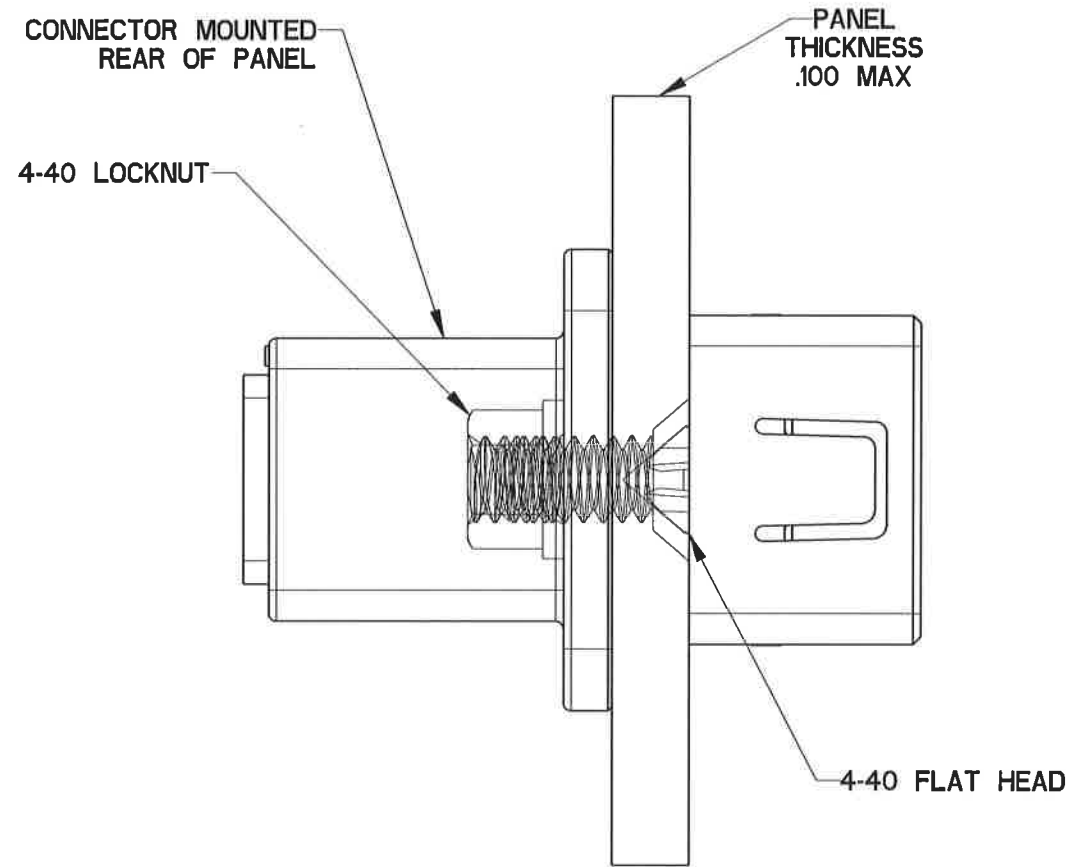
NOTES:

- MATERIALS:  
 OUT HOUSING: POLYETHERIMIDE  
 INNER HOUSING: POLYETHERIMIDE  
 CONTACT RETAINER: STAINLESS STEEL  
 GROMMET & FACE SEAL: SILICONE RUBBER PER A-A-59588
- PART ACCEPTS M39029/58-363 CONTACTS
- WEIGHT: 3.5g

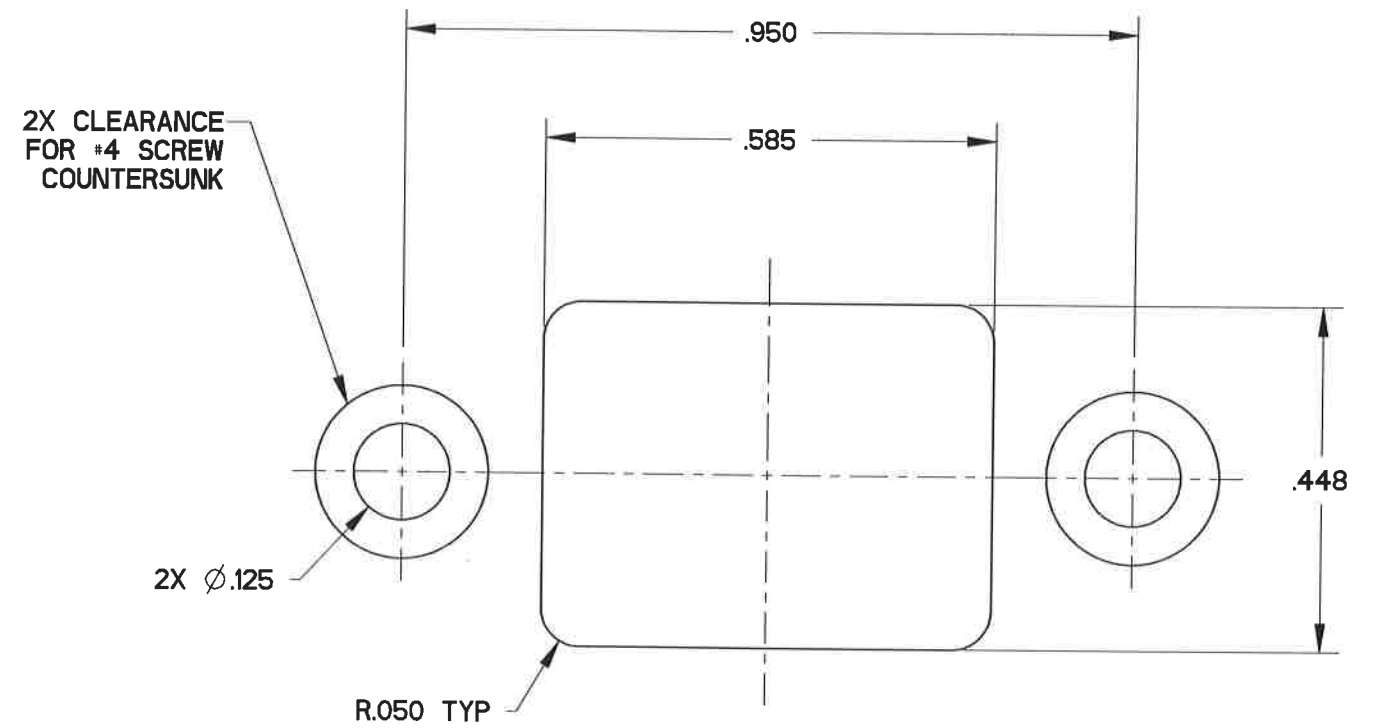
<b>DIMENSIONS</b> ANSI Y14.5M UNITS: INCHES Pro/E FILE	<b>TOLERANCES</b> .XX ±0.01 .XXX ±0.005 ANGLES ±2.0°	<b>PROJECTION</b> 	<b>Amphenol Pcd</b> SPECIFICATION DRAWING		<b>TITLE</b> 6 POS SIZE 20 RECEPTACLE FLANGE REAR MOUNT WITH PIN CONTACTS SQR SIZE 2		
			ENGR MICKEY ZHANG Jun-29-17	SIZE <b>B</b>	DWG NO. <b>SQR620700</b>	REV -	
ORIGINAL	THIS DOCUMENT CONTAINS PROPRIETARY INFORMATION WHICH IS THE CONFIDENTIAL PROPERTY OF AMPHENOL PCD INC., BEVERLY, MA		CHKD 11/10/17	APPD 11/10/17	CODE: 58982	SCALE: 8:3	SHEET 1 OF 2

SQR620700

SQR620700



PANEL MOUNTING RECOMMENDATIONS



RECOMMENDED PANEL CUT OUT FOR HARDWARE INSTALLATION

SIZE	DWG NO.	REV
B	SQR620700	-
CODE: 58982	SCALE: 8:3	SHEET 2 OF 2

# Mouser Electronics

Authorized Distributor

Click to View Pricing, Inventory, Delivery & Lifecycle Information:

[Amphenol:](#)

[SQR620160](#)