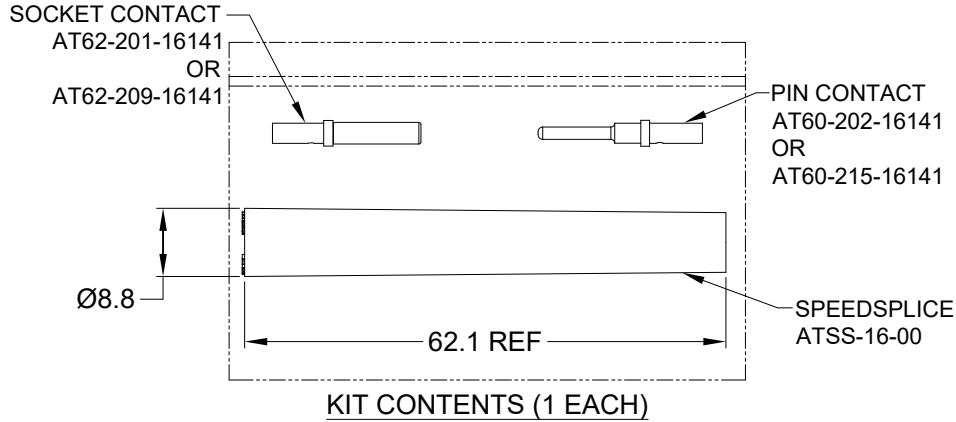


CONTACT SIZE	MIN. INSUL O.D.	MAX. INSUL O.D.	TYPICAL WIRE RANGE	CURRENT RATING
16	2.54mm (.100 in)	3.40mm (.134 in)	14-20AWG	13 AMPS

REVISIONS					
REV	ECO	DESCRIPTION	DATE	BY	APPR
A1	-	RELEASE	11APR2019	JAH	-
A2	-	CORRECTED CROSS TABLE	10MAY2021	JAH	-



PIN	DEUTSCH CROSS
ATSS-16-00	JS-16-00
AT60-202-16141	0460-202-16141
AT60-215-16141	0460-215-16141
AT62-201-16141	0462-201-16141
AT62-209-16141	0462-209-16141

NOTES: UNLESS OTHERWISE SPECIFIED

- MATERIAL:
CONTACTS: COPPER ALLOY; NICKEL PLATED
INTEGRATED CONTACT RETENTION SYSTEM
SPEEDSPlice SEAL: SILICONE RUBBER
- CONTACT SIZE: 16
- SPECIFICATIONS:
3.1 CURRENT RATING: 13 AMPS
3.2 CONTACT MILLIVOLT DROP: 60 MILLIVOLT DROP @ 13 AMP TEST CURRENT.
3.3 RoHS COMPLIANT
- RECOMMENDED WIRE RANGE: SEE CHART
- AVAILABLE HAND CRIMPER: CA-5D12
- ALL DIMENSIONS ARE FOR REFERENCE USE ONLY

ASY P/N	RECOMMENDED WIRE RANGE	PIN CONTACT P/N	SOCKET CONTACT P/N
ATSS-16-KIT01	16-20 AWG	AT60-202-16141	AT62-201-16141
ATSS-16-KIT02	14 AWG	AT60-215-16141	AT62-209-16141

QUANTITY	PART NUMBER	DESCRIPTION	ITEM
MATERIALS LIST			
UNLESS OTHERWISE SPECIFIED 1) All dimensions are in metric(mm). 2) Tolerances are as follows: 1 PL DEC ±0.30 2 PL DEC ±0.15 3 PL DEC ±0.08 3) Note reference =		SIGNATURES DATE DRAWN: J.HEAD 11APR2019 CHECKED: ENGINEER: APPROVAL: CUSTOMER:	
MATERIAL SPECIFICATIONS:		Amphenol Sine Systems - www.amphenol-sine.com 44724 Morley Drive Clinton Township, MI 48036	
PROCESS SPECIFICATIONS:		KIT, SPEEDSPlice & SIZE 16 SOLID CONTACTS. 16-20 AWG	
NEXT ASSY:		SIZE: A C-	REVISION: A2
		SCALE: NONE	SHEET 1 OF 1

Mouser Electronics

Authorized Distributor

Click to View Pricing, Inventory, Delivery & Lifecycle Information:

[Amphenol:](#)

[ATSS-16-KIT01](#) [ATSS-16-KIT02](#)