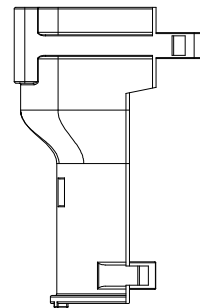
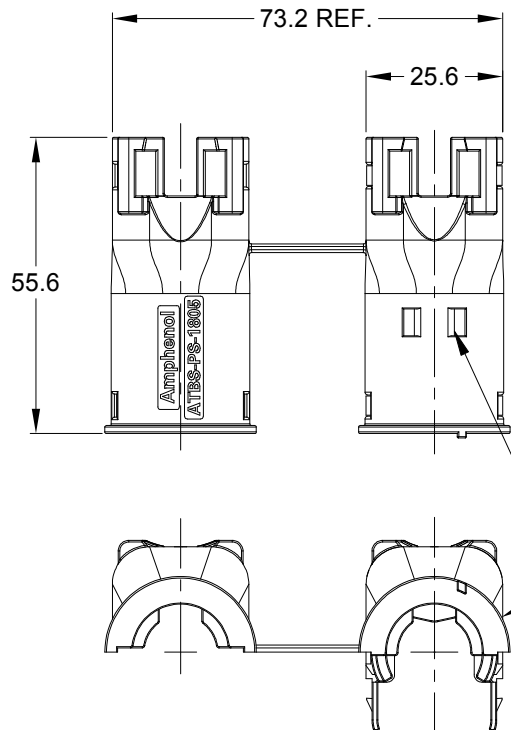
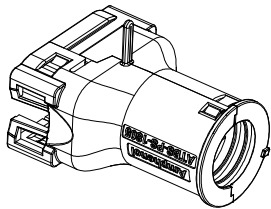
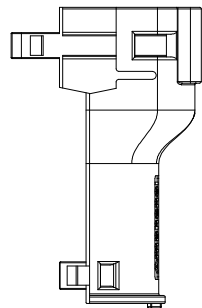
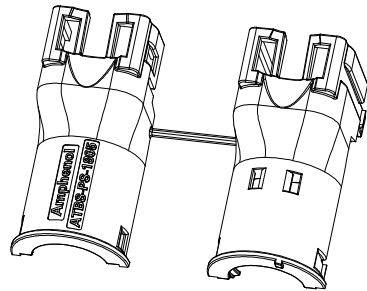
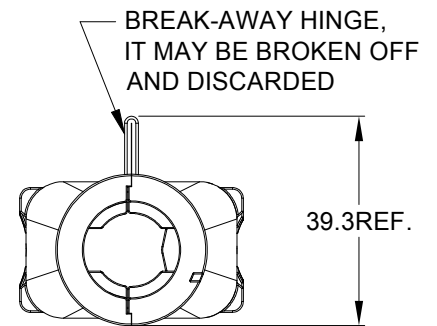
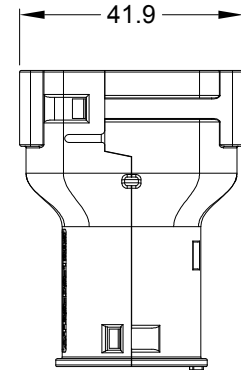


REVISIONS

REV	ECO	DESCRIPTION	DATE	BY	APPR
A1		RELEASE NEW PRODUCT	03/NOV/20	ZENIN	TOMMY



WIRE TIE STRUCTURE, CAN BE USED IN NEED



COLSED CONDITON

NOTES: UNLESS OTHERWISE SPECIFIED

1. MATERIAL: THERMOPLASTIC, COLORS: BLACK
2. USE WITH AT16-18P/SX-*
(X = A,B,C,D,E KEYS; * = MODIFICATIONS AND COLORS ,EXCEPT STRAIN RELIEF)
3. CABLE EXIT DESIGNED FOR CORRUGATED TUBE NW 13 AND 17 .
4. RoHS COMPLIANT
5. ALL DIMENSIONS ARE FOR REFERENCE USE ONLY.

ATBS-PS-1805		DESCRIPTION		ITEM
QUANTITY	PART NUMBER	MATERIALS LIST		
UNLESS OTHERWISE SPECIFIED		SIGNATURES		DATE
1) All dimensions are in metric (mm).		DRAWN:	ZENIN,DENG	03/NOV/20
2) Tolerances are as follows:		CHECKED:	ORION,LI	04/NOV/20
1 PL DEC ±0.50		ENGINEER:		
2 PL DEC ±0.15		APPROVAL:	TOMMY,XIE	05/NOV/20
3 PL DEC ±0.08		CUSTOMER:		
3) Note reference =		THIS DRAWING IS SUPPLIED FOR INFORMATION ONLY. DESIGN FEATURES, SPECIFICATIONS AND PERFORMANCE DATA SHOWN HEREON ARE THE PROPERTY OF THE AMPHENOL CORPORATION. NO RIGHTS OF REPRODUCTION ARE IMPLIED. ALL DIMENSIONS ARE SUBJECT TO NORMAL MANUFACTURING VARIATIONS.		
MATERIAL SPECIFICATIONS:		Sine Systems - www.amphenol-sine.com 44724 Morley Drive Clinton Township, MI 48036		
PROCESS SPECIFICATIONS:		BACK SHELL .18 POSITION ,AT SERIES		
NEXT ASSY:		SIZE	TYPE	DWG NO:
		A	C-	ATBS-PS-1805
		SCALE:	NONE	REVISION
				A1
		SHEET 1 OF 1		

Mouser Electronics

Authorized Distributor

Click to View Pricing, Inventory, Delivery & Lifecycle Information:

[Amphenol:](#)

[ATBS-PS-1805](#)