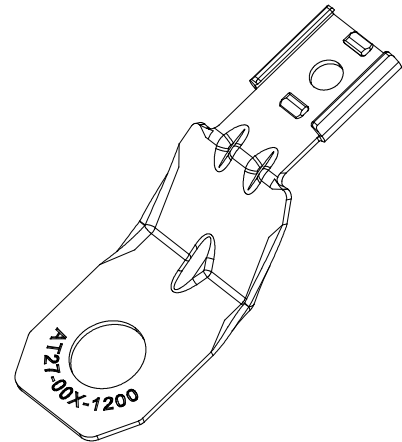


REVISIONS					
REV	ECO	DESCRIPTION	DATE	BY	APPR
A1	-	RELEASE NEW DRAWING	22/MAR/19	ROOKIE	TOMMY



NOTES: UNLESS OTHERWISE SPECIFIED

1. USE WITH CONNECTORS

- A. AT04-2/3/4/6/12P\*
  - B. ATM04-2/3/4/6/8/12P\*
  - C. ATP04-2/4P\*
  - D. ATV04.\*
  - E. ATHD04.\*
- (\* = MODIFICATIONS AND/OR COLORS)

2. RoHS COMPLIANT

3. ALL DIMENSIONS ARE FOR REFERENCE USE ONLY.

PART INFORMATION:

PART NUMBER	MATERIAL	HOLE DIAMETER
AT27-003-1200	STAINLESS STEEL	11mm
AT27-004-1200	STEEL-ZINC PLATED	13mm
AT27-005-1200	STAINLESS STEEL	13mm

SEE TABLE		REF: 1027-003-1200, 1027-004-1200, 1027-005-1200	
PART NUMBER	DESCRIPTION	ITEM	
QUANTITY	MATERIALS LIST		
UNLESS OTHERWISE SPECIFIED: 1) All dimensions are in metric (mm). 2) Tolerances are as follows: 1 PL DEC ±0.30 2 PL DEC ±0.15 3 PL DEC ±0.08 3) Note reference =		SIGNATURES	DATE
		DRAWN: ROOKIE	22/MAR/19
		CHECKED: ORION	22/MAR/19
		ENGINEER:	
		APPROVAL: TOMMY	22/MAR/19
MATERIAL SPECIFICATIONS:		CUSTOMER:	
PROCESS SPECIFICATIONS:		THIS DRAWING IS SUPPLIED FOR INFORMATION ONLY. DESIGN FEATURES, SPECIFICATIONS AND PERFORMANCE DATA SHOWN HEREON ARE THE PROPERTY OF THE AMPHENOL CORPORATION. NO RIGHTS OF REPRODUCTION ARE IMPLIED. ALL DIMENSIONS ARE SUBJECT TO NORMAL MANUFACTURING VARIATIONS.	
NEXT ASSY:		SIZE: B	FSCM NO. _____
		DWG NO: AT27-00X-1200	REVISION: A1
		SCALE: NONE	SHEET 1 OF 1

TITLE: MOUNTING CLIP, A1, METAL  
DWG NO: AT27-00X-1200  
REV: A1  
SH: 1  
OF: 1

# Mouser Electronics

Authorized Distributor

Click to View Pricing, Inventory, Delivery & Lifecycle Information:

[Amphenol:](#)

[AT27-005-1200](#)