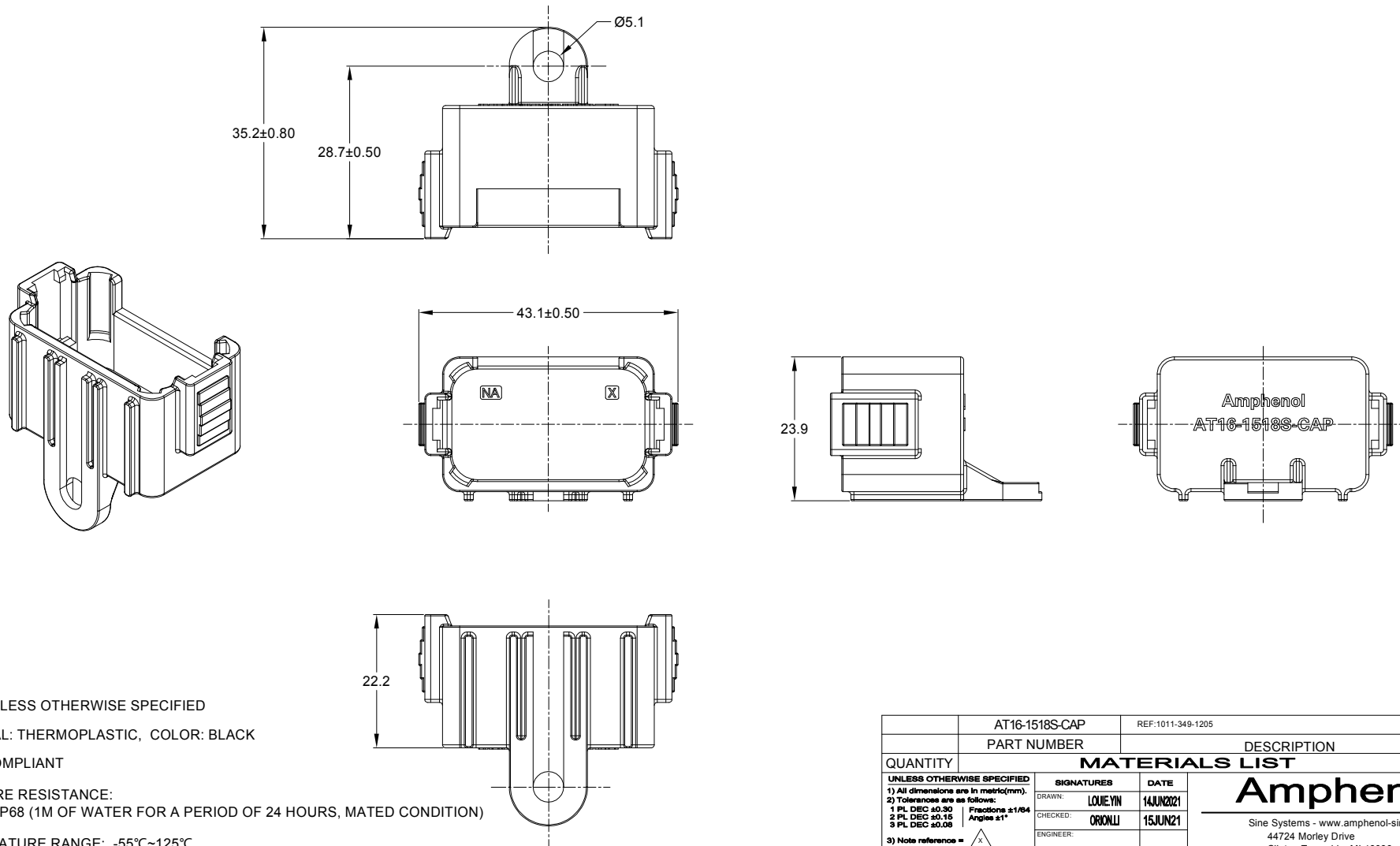


REVISIONS					
REV	ECO	DESCRIPTION	DATE	BY	APPR
A1	-	RELEASE NUMBER	14/JUN/2021	LOUIE	TOMMY



NOTES: UNLESS OTHERWISE SPECIFIED

1. MATERIAL: THERMOPLASTIC, COLOR: BLACK
2. RoHS COMPLIANT
3. MOISTURE RESISTANCE:
IP69K & IP68 (1M OF WATER FOR A PERIOD OF 24 HOURS, MATED CONDITION)
4. TEMPERATURE RANGE: -55°C~125°C
5. USE WITH CONNECTORS AT06-12S* & AT16-15S* & AT16-18S*
(* = MODIFICATIONS AND/OR COLORS)
6. ALL DIMENSIONS ARE FOR REFERENCE USE ONLY.

TITLE: PROTECTIVE COVER FOR 12,15,18-WAY PLUG
DWG NO.: AT16-1518S-CAP
REV: A1
SH: 1
OF: 1

AT16-1518S-CAP		REF:1011-349-1205									
PART NUMBER		DESCRIPTION									
QUANTITY		ITEM									
MATERIALS LIST											
UNLESS OTHERWISE SPECIFIED		SIGNATURES									
1) All dimensions are in metric(mm).		DATE									
2) Tolerances are as follows:		DRAWN: LOUIEYIN 14JUN2021									
1 PL DEC ±0.30		CHECKED: ORIONLI 15JUN21									
2 PL DEC ±0.15		ENGINEER:									
3 PL DEC ±0.08		APPROVAL: TOMMYXIE 16JUN21									
3) Note reference =		CUSTOMER:									
MATERIAL SPECIFICATIONS:		THIS DRAWING IS SUPPLIED FOR INFORMATION ONLY. DESIGN FEATURES, SPECIFICATIONS AND PERFORMANCE DATA SHOWN HEREON ARE THE PROPERTY OF THE AMPHENOL CORPORATION. NO RIGHTS OF REPRODUCTION ARE IMPLIED. ALL DIMENSIONS ARE SUBJECT TO NORMAL MANUFACTURING VARIATIONS.									
PROCESS SPECIFICATIONS:		SCALE: NONE									
NEXT ASSY:		SHEET 1 OF 1									
		<table border="1"> <tr> <td>SIZE</td> <td>TYPE</td> <td>DWG NO.</td> <td>REVISION</td> </tr> <tr> <td>B</td> <td>C-</td> <td>AT16-1518S-CAP</td> <td>A1</td> </tr> </table>		SIZE	TYPE	DWG NO.	REVISION	B	C-	AT16-1518S-CAP	A1
SIZE	TYPE	DWG NO.	REVISION								
B	C-	AT16-1518S-CAP	A1								
		<p style="text-align: center;">Amphenol</p> <p style="text-align: center;">Sine Systems - www.amphenol-sine.com 44724 Morley Drive Clinton Township, MI 48036</p>									
PROTECTIVE COVER FOR 12,15,18-WAY PLUG											

Mouser Electronics

Authorized Distributor

Click to View Pricing, Inventory, Delivery & Lifecycle Information:

[Amphenol:](#)

[AT16-1518S-CAP](#)