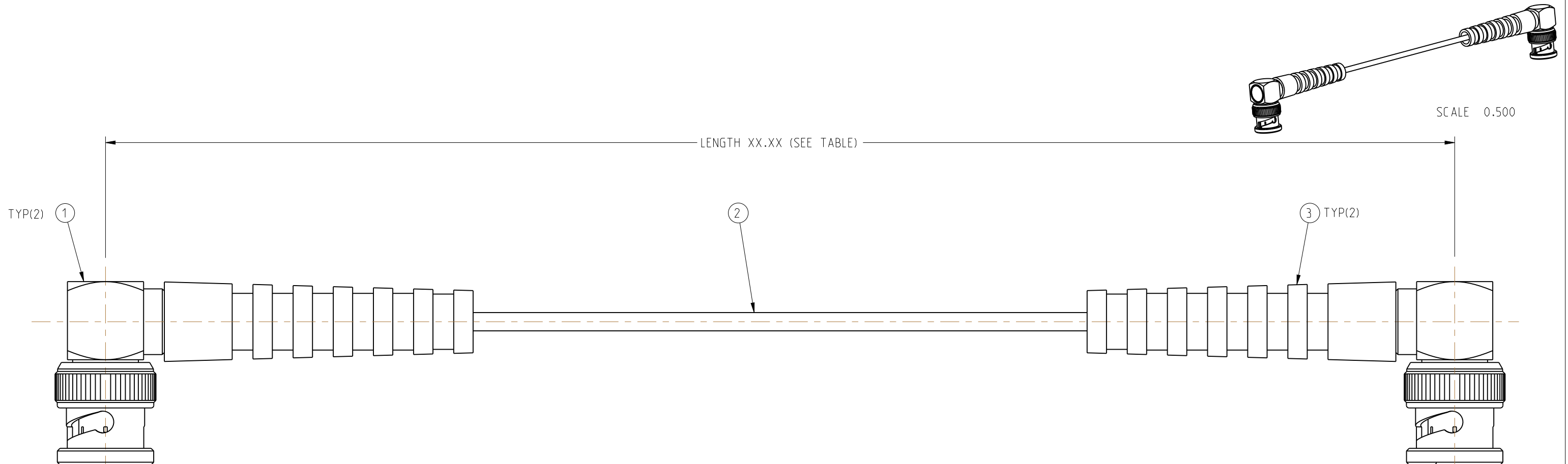


NOTES:

1. PACKAGE CABLE ASSEMBLY IN BAG. LABEL BAG WITH AMPHENOL 115104-15-XX.XX AND DATE CODE.
2. CABLE ASSEMBLY TO BE 100% TESTED FOR HI-POT, CONTINUITY, SHORTS AND OPEN.

115104-15-XX.XX		REVISIONS			
DRAWING NO.	REV	DESCRIPTION	DATE	ECO	APPR
THIRD ANGLE PROJ.	A	RELEASE TO MFG.	11-Nov-10	--	KR
	B	009-881-461 TO 009-881-457	03-Apr-13	2463	MB



PART NUMBER	LENGTH INCHES (X)
115104-15-06.00	6.00
115104-15-12.00	12.00
115104-15-24.00	24.00
115104-15-36.00	36.00

\* ADDITIONAL LENGTH CAN BE PROVIDED BY CHANGING XX.XX TO DESIRED LENGTH IN INCHES CONTACT CONNEX MARKETING FOR QUOTE

ORIENT BNC RIGHT ANGLE CRIMP PLUG WITH RESPECT TO BNC RIGHT ANGLE CRIMP PLUG INTERFACE AS SHOWN WITH IN ±10°

**DESIGN REQUIREMENTS:**

<input type="checkbox"/> FREQUENCY _____ TO _____ GHz	<input checked="" type="checkbox"/> CONTINUITY
<input type="checkbox"/> VSWR _____ : 1 MAX	<input checked="" type="checkbox"/> HI-POT : 500 VRMS
<input type="checkbox"/> INS. LOSS _____ dB MAX	<input type="checkbox"/> OTHER

60030-000	A/R	3	STRAIN RELIEF BOOT	BLACK
009-881-461	A/R	2	RG 59 CO-AXIAL CABLE	
112165	2	1	BNC RIGHT ANGLE CRIMP PLUG	
PART NUMBER	QTY	ITEM	DESCRIPTION	FINISH

UNLESS OTHERWISE SPECIFIED, DIMENSIONS ARE IN INCHES AND TOLERANCES ARE: 2 PLACE DECIMAL ±.015 (0,381 mm) 3 PLACE DECIMAL ±.005 (0,127 mm) ANGLES ± 1°	MATERIAL	DRAWN MOHAN B	DATE 11-Nov-10	TITLE BNC RIGHT ANGLE CRIMP PLUG TO BNC RIGHT ANGLE CRIMP PLUG USING, RG 59 CO-AXIAL CABLE, XX.XX LENGTH	Amphenol Connex
	REFERENCE TASK - 480	ENGINEER MOHAN B	DATE 11-Nov-10		
NOTICE - These drawings, specifications, or other data (1) are, and remain the property of Amphenol Corp. (2) must be returned upon request; and (3) are confidential and not to be disclosed to any person other than those to whom they are given by Amphenol Corp. The furnishing of these drawings, specifications, or other data by Amphenol Corp., or to any other person to anyone for any purpose is not to be regarded by implication or otherwise in any manner licensing, granting rights or permitting such holder or any other person to manufacture, use or sell any product, process or design, patented or otherwise, that may in any way be related to or disclosed by said drawings, specifications, or other data.		APPROVED	DATE	DWG SIZE B	DRAWING NO. 115104-15-XX.XX

# Mouser Electronics

Authorized Distributor

Click to View Pricing, Inventory, Delivery & Lifecycle Information:

[Amphenol:](#)

[115104-15-06.00](#) [115104-15-12.00](#) [115104-15-24.00](#) [115104-15-36.00](#)