

# 2M805 Tri-Start Threaded Coupling



## Ordering Guide for 2M805 Plug & Receptacle

### 2M805 Series Connector



Series	Shell Style	Service Class	Shell Size-Insert Arrg.	Contact Type	Alternate Position
2M805-00X	-16	C	15-37	S	A

\*add "-501" to the suffix of Jam Nut version to include a Hex Nut instead of a Spanner Nut.

SERIES	
2M805-001	Plug with Integral Backshell
2M805-002	Plug with Accessory Thread
2M805-003	Receptacle with Integral Backshell
2M805-004	Receptacle with Accessory Thread

SHELL STYLE	
2M805-001, 2M805-002	
-16	Plug Connector with Ratcheting Anti-Decoupling Mechanism
SHELL STYLE	
2M805-003, 2M805-004	
-01	In-Line Receptacle
-02	Square Flange Receptacle
-07	Jam Nut* for Rear Panel Mounting Receptacle

#### SHELL SIZE - INSERT ARRANGEMENTS

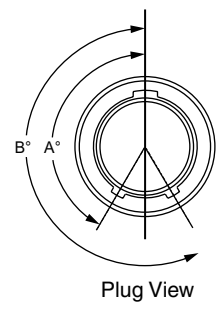
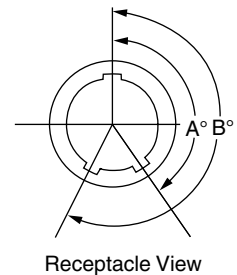
See Insert Arrangements on Pages 13-15



CONTACTS	
P	Pin
S	Socket
A	Pin, less contacts
B	Socket, less contacts

SERVICE CLASS	
	Finish
C	Aluminum/Black Anodize (Non-Conductive)
M	Aluminum/Electroless Nickel
NF	Aluminum/Cadmium with Olive Drab Chromate
MT	Aluminum/Nickel-PTFE (Durmalon)
Z1	Stainless Steel/Passivated
ZM	Stainless Steel/Electroless Nickel
ZN	Aluminum/Zinc-Nickel w/Olive Drab Chromate
ZNU	Aluminum/Zinc-Nickel with Black Chromate

KEYING		
Key Position	Key Rotation	
	A	B
Normal A	150°	210°
B	75°	210°
C	95°	230°
D	140°	275°



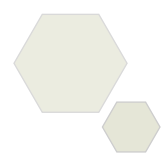
#### INSERT ARRANGEMENTS

Insert Arrg.	No. of Contacts				
	#23	#20	#20HD	#16	#12
8-1				1	
8-4	4				
8-6	6				
8-7	7				
8-23			3		
9-1					1
9-10	10				
9-25			5		
10-2				2	
10-13	13				
10-28			8		
10-200	4	2			
11-4				4	
11-19	19			2	
11-200	4			2	
11-201	8	2			
11-210			10		
12-2					2
12-5				5	
12-26	26				
12-200	12				1

#### INSERT ARRANGEMENTS

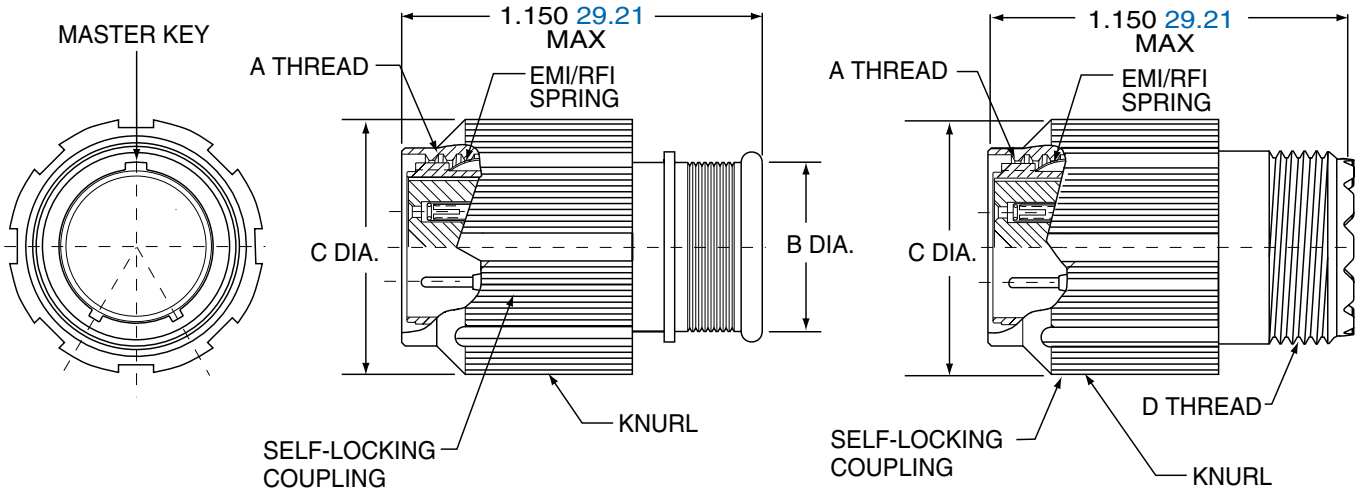
Insert Arrg.	No. of Contacts				
	#23	#20	#20HD	#16	#12
12-201	4				2
12-202	8			2	
15-2					2
15-3					3
15-7				7	
15-37	37				
15-200	6				2
15-201	10				2
15-220			20		
18-5					5
18-12				12	
18-55	55				
18-235			35		
19-7					7
19-14				14	
19-85	85				
19-241			41		
23-12					12
23-22				22	
23-130	130				
23-269			69		

- Contacts & Tools
- 2M Specs
- 2M801
- 2M803
- 2M804
- 2M805
- 2M Filter & Accessories
- HD38999
- Micro-D
- Terrapin
- Nexus

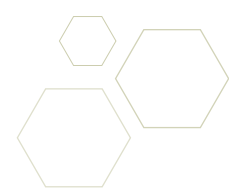


2M805-001

2M805-002



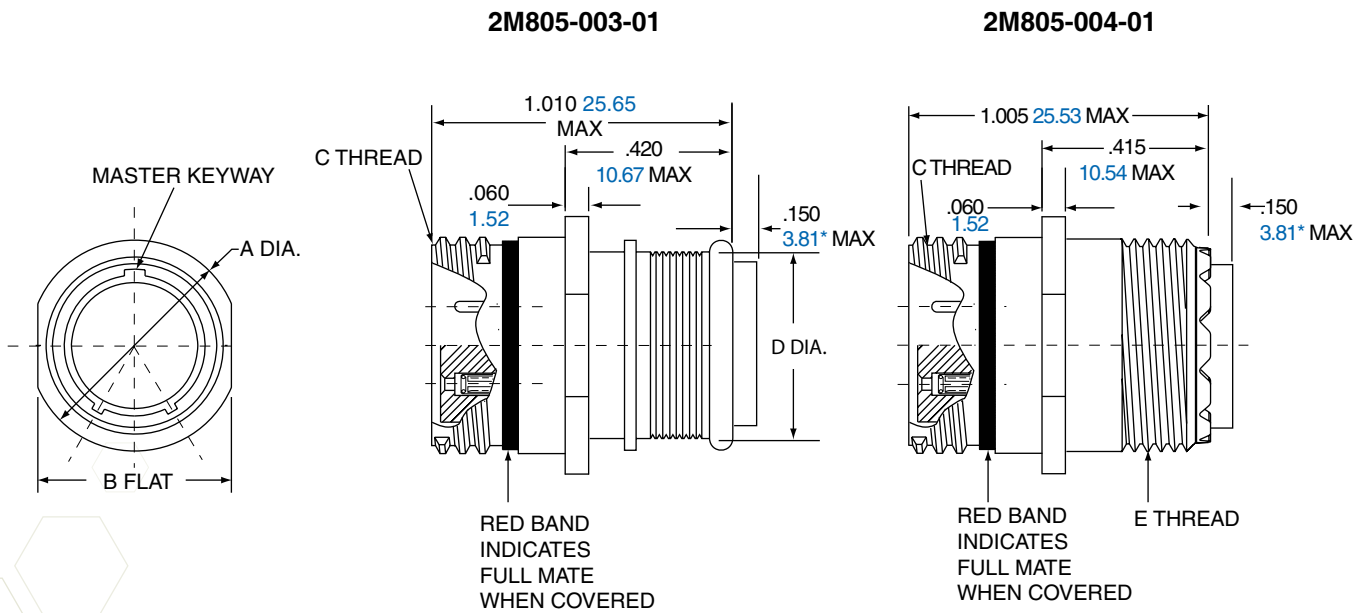
Shell Size	A Threads	B Dia.		C Dia.		D Threads Accessory
		in.	mm.	in.	mm.	
8	.5000-.1P-.3L-TS-2B	.317	8.05	.691	17.55	.3750-32 UNEF-2A
9	.5625-.1P-.3L-TS-2B	.397	10.08	.787	19.99	.4375-28 UNEF-2A
10	.6250-.1P-.3L-TS-2B	.473	12.01	.826	20.98	.5000-28 UNEF-2A
11	.6875-.1P-.3L-TS-2B	.519	13.18	.925	23.50	.5625-24 UNEF-2A
12	.7500-.1P-.3L-TS-2B	.585	14.86	.982	24.94	.6250-24 UNEF-2A
15	.9375-.1P-.3L-TS-2B	.687	17.45	1.105	28.07	.7500-20 UNEF-2A
18	1.1250-.1P-.3L-TS-2B	.884	22.45	1.275	32.39	.9375-20 UNEF-2A
19	1.1875-.1P-.3L-TS-2B	.884	22.45	1.310	33.27	.9375-20 UNEF-2A
23	1.4375-.1P-.3L-TS-2B	1.135	28.83	1.562	39.67	1.1875-18 UNEF-2A



# 2M805 Tri-Start In-Line Receptacle



2M805-003-01 and 2M805-004-01



\* Grommet protrudes for power/combo arrangement

Shell Size	A Dia.		B Flat		C Threads	D Dia.		E Threads Accessory
	in.	mm.	in.	mm.		in.	mm.	
8	.543	13.79	.513	13.03	.5000-.1P-.3L-TS-2A	.317	8.05	.3750-32 UNEF-2A
9	.608	15.44	.578	14.68	.5625-.1P-.3L-TS-2A	.397	10.08	.4375-28 UNEF-2A
10	.671	17.04	.641	16.28	.6250-.1P-.3L-TS-2A	.473	12.01	.5000-28 UNEF-2A
11	.733	18.62	.703	17.86	.6875-.1P-.3L-TS-2A	.519	13.18	.5625-24 UNEF-2A
12	.796	20.22	.766	19.46	.7500-.1P-.3L-TS-2A	.585	14.86	.6250-24 UNEF-2A
15	.983	24.97	.953	24.21	.9375-.1P-.3L-TS-2A	.687	17.45	.7500-20 UNEF-2A
18	1.168	29.67	1.138	28.91	1.1250-.1P-.3L-TS-2A	.884	22.45	.9375-20 UNEF-2A
19	1.238	31.45	1.208	30.68	1.1875-.1P-.3L-TS-2A	.884	22.45	.9375-20 UNEF-2A
23	1.485	37.72	1.455	39.96	1.4375-.1P-.3L-TS-2A	1.135	28.83	1.1875-18 UNEF-2A

Contacts & Tools

2M Specs

2M801

2M803

2M804

2M805

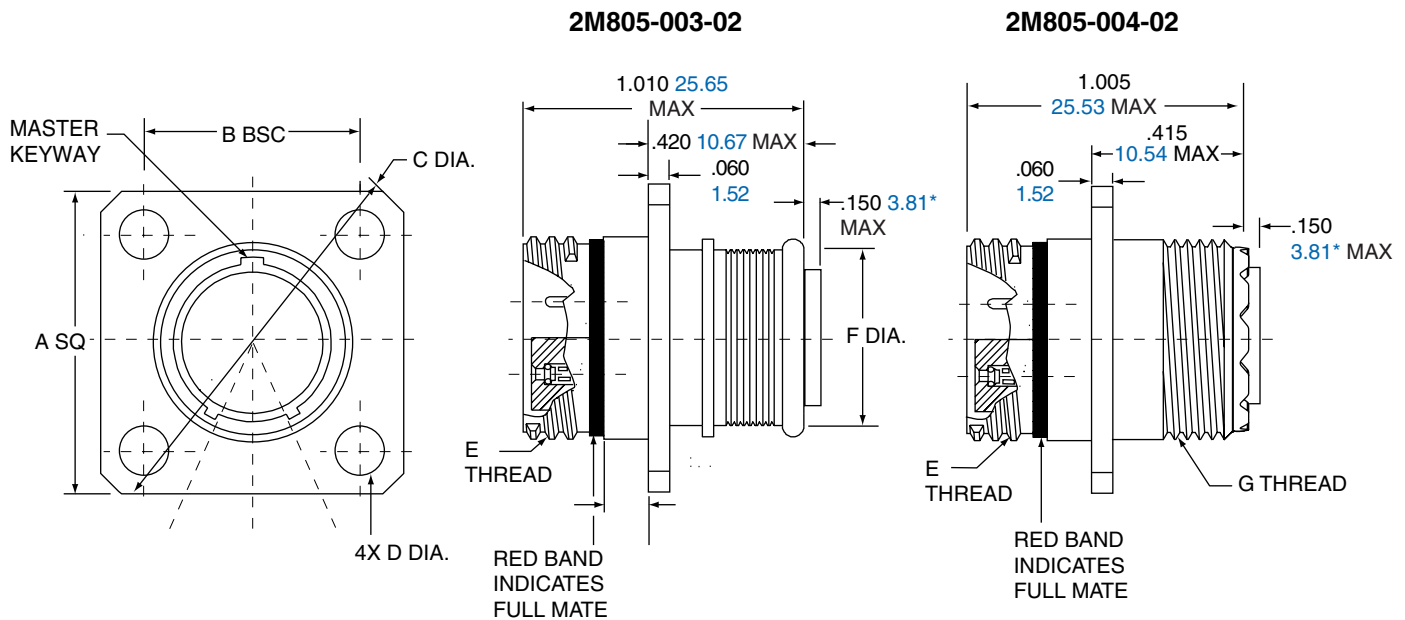
2M Filter & Accessories

HD38999

Micro-D

Terrapin

Nexus



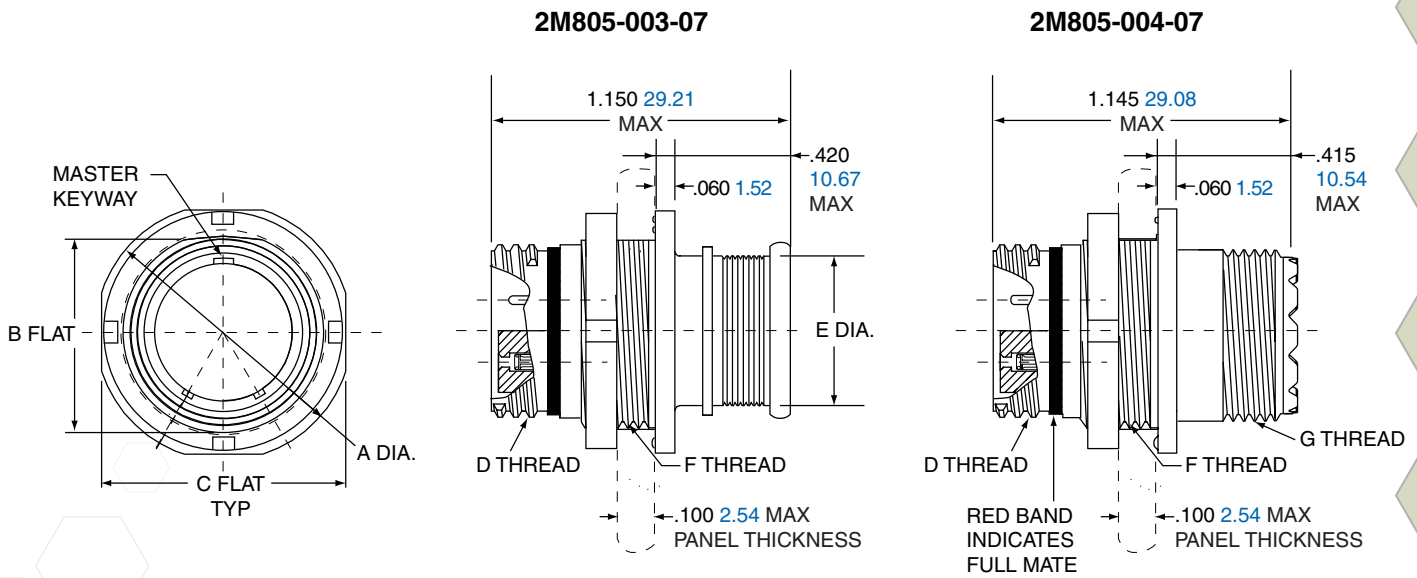
\* Grommet protrudes for power/combo arrangement

Shell Size	A Sq.		B BSC.		C Dia.		D Dia.		E Threads	F Dia.		G Threads Accessory
	in.	mm.	in.	mm.	in.	mm.	in. ±.003	mm. ±.08		in.	mm.	
8	.853	21.67	.660	16.76	1.153	29.29	.091	2.31	.5000-.1P-.3L-TS-2A	.317	8.05	.3750-32 UNEF-2A
9	.916	23.27	.723	18.36	1.233	31.32	.091	2.31	.5625-.1P-.3L-TS-2A	.397	10.08	.4375-28 UNEF-2A
10	.978	24.84	.785	19.94	1.333	33.86	.091	2.31	.6250-.1P-.3L-TS-2A	.473	12.01	.5000-28 UNEF-2A
11	1.042	26.47	.848	21.54	1.413	35.89	.091	2.31	.6875-.1P-.3L-TS-2A	.519	13.18	.5625-24 UNEF-2A
12	1.102	27.99	.909	23.09	1.503	38.18	.091	2.31	.7500-.1P-.3L-TS-2A	.585	14.86	.6250-24 UNEF-2A
15	1.291	32.79	1.058	26.87	1.753	44.53	.125	3.18	.9375-.1P-.3L-TS-2A	.687	17.45	.7500-20 UNEF-2A
18	1.478	37.54	1.255	31.88	2.003	50.88	.125	3.18	1.1250-.1P-.3L-TS-2A	.884	22.45	.9375-20 UNEF-2A
19	1.540	39.12	1.327	33.71	2.097	53.26	.125	3.18	1.1875-.1P-.3L-TS-2A	.884	22.45	.9375-20 UNEF-2A
23	1.790	45.47	1.570	39.88	2.443	62.05	.125	3.18	1.4375-.1P-.3L-TS-2A	1.135	28.83	1.1875-18 UNEF-2A

# 2M805 Tri-Start Jam Nut Receptacle



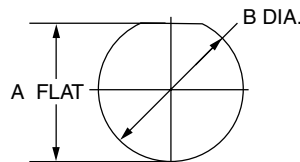
2M805-003-07 and 2M805-004-07



Shell Size	A Dia.		B Flat		C Flat		D Threads	E Dia.		F Threads	G Threads Accessory
	in.	mm.	in.	mm.	in.	mm.		in.	mm.		
8	.760	19.30	.535	13.59	.730	18.54	.5000-.1P-.3L-TS-2A	.317	8.05	.5625-28 UN-2A	.3750-32 UNEF-2A
9	.880	22.35	.661	16.79	.850	21.59	.5625-.1P-.3L-TS-2A	.397	10.08	.6875-28 UN-2A	.4375-28 UNEF-2A
10	.880	22.35	.661	16.79	.850	21.59	.6250-.1P-.3L-TS-2A	.473	12.01	.6875-28 UN-2A	.5000-28 UNEF-2A
11	.955	24.26	.721	18.31	.925	23.50	.6875-.1P-.3L-TS-2A	.519	13.18	.7500-28 UN-2A	.5625-24 UNEF-2A
12	1.065	27.05	.784	19.91	1.039	26.39	.7500-.1P-.3L-TS-2A	.585	14.86	.8125-28 UN-2A	.6250-24 UNEF-2A
15	1.203	30.56	.970	24.64	1.173	29.79	.9375-.1P-.3L-TS-2A	.687	17.45	1.0000-28 UN-2A	.7500-20 UNEF-2A
18	1.395	35.43	1.150	29.21	1.359	34.52	1.1250-.1P-.3L-TS-2A	.884	22.45	1.1875-28 UN-2A	.9375-20 UNEF-2A
19	1.450	36.83	1.221	31.01	1.420	36.07	1.1875-.1P-.3L-TS-2A	.884	22.45	1.2500-28 UN-2A	.9375-20 UNEF-2A
23	1.705	43.31	1.470	37.34	1.678	42.62	1.4375-.1P-.3L-TS-2A	1.135	28.83	1.5000-28 UN-2A	1.1875-18 UNEF-2A

## PANEL CUTOUT FOR JAM NUT

Shell Size	A Flat		B Dia	
	in. ±.002	mm. ± 0.05	in. ±.005	mm. ± 0.13
8	.543	13.79	.572	14.53
9	.669	16.99	.698	17.73
10	.669	16.99	.698	17.73
11	.729	18.51	.760	19.30
12	.792	20.17	.822	20.88
15	.978	24.84	1.010	25.65
18	1.155	29.34	1.198	30.43
19	1.231	31.27	1.260	32.00
23	1.480	37.59	1.510	38.35



# Mouser Electronics

Authorized Distributor

Click to View Pricing, Inventory, Delivery & Lifecycle Information:

## Amphenol:

[2M805-001-16M15-37PA](#) [2M805-001-16M18-55PA](#) [2M805-001-16M18-12SB](#) [2M805-001-16M18-12SA](#) [2M805-004-01M12-5PA](#) [2M805-001-16NF10-28PB](#) [2M805-004-02ZNU19-85SB](#) [2M805-004-02ZNU19-85PA](#) [2M805-004-02ZNU19-85PB](#) [2M805-004-02ZNU19-85SA](#) [2M805-004-02ZNU18-12SA](#) [2M805-004-02ZNU18-55PA](#) [2M805-004-02ZNU18-55SA](#) [2M805-004-02ZNU18-5SA](#) [2M805-004-02NF8-4PA](#) [2M805-004-02NF8-6PA](#) [2M805-004-02NF8-6SA](#) [2M805-004-02NF8-7PA](#) [2M805-004-02NF8-7SA](#) [2M805-004-02ZNU18-12PA](#) [2M805-004-02NF8-23PA](#) [2M805-004-01ZNU19-85PB](#) [2M805-004-01ZNU19-85SA](#) [2M805-004-01ZNU19-85SB](#) [2M805-004-02M10-13PA](#) [2M805-004-02M10-13PB](#) [2M805-004-01ZNU18-55PA](#) [2M805-004-01ZNU18-55SA](#) [2M805-004-01ZNU18-5SA](#) [2M805-004-01ZNU19-85PA](#) [2M805-004-01ZNU18-12PA](#) [2M805-004-01ZNU18-12SA](#) [2M805-004-01NF10-13PA](#) [2M805-003-02ZNU19-85SA](#) [2M805-003-02ZNU19-85PA](#) [2M805-003-02NF23-12PA](#) [2M805-003-02NF23-12SA](#) [2M805-003-02ZNU10-13PA](#) [2M805-003-02M8-7SA](#) [2M805-003-02NF10-13PA](#) [2M805-003-02M8-23PA](#) [2M805-003-02M8-4PA](#) [2M805-003-02M8-6PA](#) [2M805-003-02M8-6SA](#) [2M805-003-02M8-7PA](#) [2M805-003-02M23-12PB](#) [2M805-003-02M23-12SA](#) [2M805-003-02M23-12SB](#) [2M805-003-02M15-37SB](#) [2M805-003-02M23-12PA](#) [2M805-003-02M15-220PB](#) [2M805-003-02M15-37PA](#) [2M805-003-02M15-37PB](#) [2M805-003-02M15-37SA](#) [2M805-003-02M15-201PA](#) [2M805-003-02M15-201PB](#) [2M805-003-02M15-201SA](#) [2M805-003-02M15-201SB](#) [2M805-003-02M15-220PA](#) [2M805-003-01ZNU10-13PA](#) [2M805-003-01ZNU12-5PA](#) [2M805-003-01NF12-5PA](#) [2M805-003-01NF10-13PA](#) [2M805-003-01M12-5PA](#) [2M805-002-16ZNU19-85PB](#) [2M805-002-16ZNU19-85SB](#) [2M805-003-01M10-13PA](#) [2M805-002-16ZNU10-13PA](#) [2M805-002-16NF12-5PA](#) [2M805-002-16M18-55PB](#) [2M805-002-16M18-55SB](#) [2M805-002-16M18-5SB](#) [2M805-002-16M23-12PB](#) [2M805-002-16M23-12SB](#) [2M805-002-16M18-12PB](#) [2M805-002-16M18-12SB](#) [2M805-002-16M11-4SB](#) [2M805-002-16M12-5PB](#) [2M805-002-16M11-4PB](#) [2M805-002-16M11-19SB](#) [2M805-002-16M10-13PA](#) [2M805-002-16M10-13PB](#) [2M805-001-16ZNU19-85PA](#) [2M805-001-16ZNU19-85SA](#) [2M805-001-16ZNU15-37PB](#) [2M805-001-16ZNU15-37SB](#) [2M805-001-16ZNU15-201PB](#) [2M805-001-16ZNU15-201SB](#) [2M805-001-16ZNU15-220PB](#) [2M805-001-16NF12-5PA](#) [2M805-001-16NF10-2SB](#) [2M805-001-16NF10-2PB](#) [2M805-001-16NF10-13PB](#) [2M805-001-16M12-5PA](#) [2M805-001-16M12-5PB](#) [2M805-001-16M15-7PA](#) [2M805-002-16NF10-13PA](#) [2M805-003-02NF15-220SA](#) [2M805-002-16NF15-220PB](#) [2M805-003-02M18-12PB](#)