



# Amphenol

## Telecom Solutions

### SMA 901 Series 50 Ohm – Continued

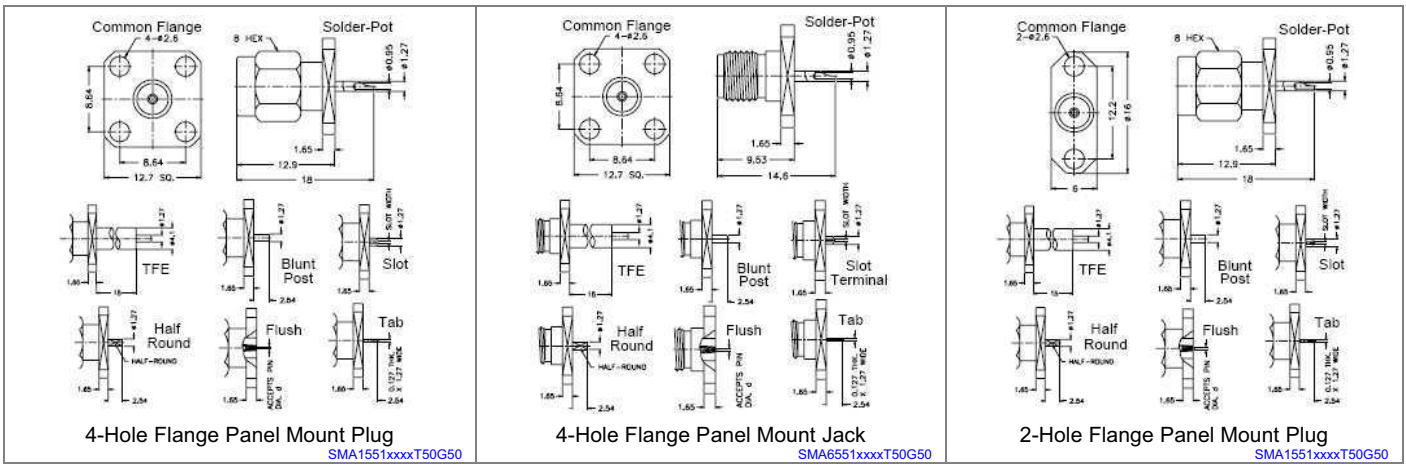
| <p style="text-align: center;">Crimp/Crimp Bulkhead Non-Captive Contact Str. Jack<br/>Termination Instruction <a href="#">E</a><br/><small>SMA6411A1xT50Gxxx50</small></p>   | <p style="text-align: center;">Crimp/Crimp Captive Contact Str. Plug<br/>Termination Instruction <a href="#">E</a><br/><small>SMA1111A2xT50Gxxx50</small></p> | <p style="text-align: center;">Crimp/Crimp Captive Contact Str. Plug<br/>Termination Instruction <a href="#">E</a><br/><small>SMA1111A1xT50Gxxx50</small></p> |                   |                           |                     |                         |  |              |              |                   |                  |                     |                |   |              |              |                   |      |                    |        |
|--|---|---|-------------------|---------------------------|---------------------|-------------------------|--|--------------|--------------|-------------------|------------------|---------------------|----------------|---|--------------|--------------|-------------------|------|--------------------|--------|
| <p style="text-align: center;">Crimp/Crimp Right Angle Plug<br/>Termination Instruction <a href="#">E</a><br/><small>SMA1112A5xT50Gxxx50</small></p>   | <p style="text-align: center;">Crimp/Crimp Right Angle Plug<br/>Termination Instruction <a href="#">E</a><br/><small>SMA1112A6xT50Gxxx50</small></p>          | <p style="text-align: center;">Straight Plug for PCB<br/><small>SMA1251A1xT50G50</small></p>  |                   |                           |                     |                         |  |              |              |                   |                  |                     |                |   |              |              |                   |      |                    |        |
| <table border="1" style="width: 100%; border-collapse: collapse;"> <thead> <tr> <th style="width: 30%;">Part Number:</th> <th>Description:</th> </tr> </thead> <tbody> <tr> <td><b>9019881RFX</b></td> <td>RG/U 174/188/316 - Nickel</td> </tr> <tr> <td><b>90198811XRFX</b></td> <td>RG/U 174/188/316 - Gold</td> </tr> </tbody> </table> | Part Number:  | Description:  | <b>9019881RFX</b> | RG/U 174/188/316 - Nickel | <b>90198811XRFX</b> | RG/U 174/188/316 - Gold | <table border="1" style="width: 100%; border-collapse: collapse;"> <thead> <tr> <th style="width: 30%;">Part Number:</th> <th>Description:</th> </tr> </thead> <tbody> <tr> <td><b>9019880RFX</b></td> <td>RG/U 58 - Nickel</td> </tr> <tr> <td><b>90198801XRFX</b></td> <td>RG/U 58 - Gold</td> </tr> </tbody> </table> | Part Number: | Description: | <b>9019880RFX</b> | RG/U 58 - Nickel | <b>90198801XRFX</b> | RG/U 58 - Gold | <table border="1" style="width: 100%; border-collapse: collapse;"> <thead> <tr> <th style="width: 30%;">Part Number:</th> <th>Description:</th> </tr> </thead> <tbody> <tr> <td><b>9019895RFX</b></td> <td>Gold</td> </tr> <tr> <td><b>9019895XRFX</b></td> <td>Nickel</td> </tr> </tbody> </table> | Part Number: | Description: | <b>9019895RFX</b> | Gold | <b>9019895XRFX</b> | Nickel |
| Part Number:   | Description:  |   |                   |                           |                     |                         |  |              |              |                   |                  |                     |                |   |              |              |                   |      |                    |        |
| <b>9019881RFX</b>  | RG/U 174/188/316 - Nickel   |   |                   |                           |                     |                         |  |              |              |                   |                  |                     |                |   |              |              |                   |      |                    |        |
| <b>90198811XRFX</b>  | RG/U 174/188/316 - Gold   |   |                   |                           |                     |                         |  |              |              |                   |                  |                     |                |   |              |              |                   |      |                    |        |
| Part Number:   | Description:  |   |                   |                           |                     |                         |  |              |              |                   |                  |                     |                |   |              |              |                   |      |                    |        |
| <b>9019880RFX</b>  | RG/U 58 - Nickel  |   |                   |                           |                     |                         |  |              |              |                   |                  |                     |                |   |              |              |                   |      |                    |        |
| <b>90198801XRFX</b>  | RG/U 58 - Gold  |   |                   |                           |                     |                         |  |              |              |                   |                  |                     |                |   |              |              |                   |      |                    |        |
| Part Number:   | Description:  |   |                   |                           |                     |                         |  |              |              |                   |                  |                     |                |   |              |              |                   |      |                    |        |
| <b>9019895RFX</b>  | Gold  |   |                   |                           |                     |                         |  |              |              |                   |                  |                     |                |   |              |              |                   |      |                    |        |
| <b>9019895XRFX</b>   | Nickel  |   |                   |                           |                     |                         |  |              |              |                   |                  |                     |                |   |              |              |                   |      |                    |        |
| <p style="text-align: center;">Right Angle Plug for PCB<br/><small>SMA1252A2xT50G50</small></p>  | <p style="text-align: center;">Straight Jack for PCB<br/><small>SMA6251A1xT50G50</small></p>  | <p style="text-align: center;">Right Angle Jack for PCB<br/><small>SMA6252A2xT50G50</small></p>   |                   |                           |                     |                         |  |              |              |                   |                  |                     |                |   |              |              |                   |      |                    |        |
| <table border="1" style="width: 100%; border-collapse: collapse;"> <thead> <tr> <th style="width: 30%;">Part Number:</th> <th>Description:</th> </tr> </thead> <tbody> <tr> <td><b>9019894RFX</b></td> <td>Gold</td> </tr> <tr> <td><b>9019894XRFX</b></td> <td>Nickel</td> </tr> </tbody> </table>  | Part Number:  | Description:  | <b>9019894RFX</b> | Gold                      | <b>9019894XRFX</b>  | Nickel                  | <table border="1" style="width: 100%; border-collapse: collapse;"> <thead> <tr> <th style="width: 30%;">Part Number:</th> <th>Description:</th> </tr> </thead> <tbody> <tr> <td><b>9011448RFX</b></td> <td>Gold</td> </tr> <tr> <td><b>9011448XRFX</b></td> <td>Nickel</td> </tr> </tbody> </table>                      | Part Number: | Description: | <b>9011448RFX</b> | Gold             | <b>9011448XRFX</b>  | Nickel         | <table border="1" style="width: 100%; border-collapse: collapse;"> <thead> <tr> <th style="width: 30%;">Part Number:</th> <th>Description:</th> </tr> </thead> <tbody> <tr> <td><b>9011436RFX</b></td> <td>Gold</td> </tr> <tr> <td><b>9011436XRFX</b></td> <td>Nickel</td> </tr> </tbody> </table> | Part Number: | Description: | <b>9011436RFX</b> | Gold | <b>9011436XRFX</b> | Nickel |
| Part Number:   | Description:  |   |                   |                           |                     |                         |  |              |              |                   |                  |                     |                |   |              |              |                   |      |                    |        |
| <b>9019894RFX</b>  | Gold  |   |                   |                           |                     |                         |  |              |              |                   |                  |                     |                |   |              |              |                   |      |                    |        |
| <b>9019894XRFX</b>   | Nickel  |   |                   |                           |                     |                         |  |              |              |                   |                  |                     |                |   |              |              |                   |      |                    |        |
| Part Number:   | Description:  |   |                   |                           |                     |                         |  |              |              |                   |                  |                     |                |   |              |              |                   |      |                    |        |
| <b>9011448RFX</b>  | Gold  |   |                   |                           |                     |                         |  |              |              |                   |                  |                     |                |   |              |              |                   |      |                    |        |
| <b>9011448XRFX</b>   | Nickel  |   |                   |                           |                     |                         |  |              |              |                   |                  |                     |                |   |              |              |                   |      |                    |        |
| Part Number:   | Description:  |   |                   |                           |                     |                         |  |              |              |                   |                  |                     |                |   |              |              |                   |      |                    |        |
| <b>9011436RFX</b>  | Gold  |   |                   |                           |                     |                         |  |              |              |                   |                  |                     |                |   |              |              |                   |      |                    |        |
| <b>9011436XRFX</b>   | Nickel  |   |                   |                           |                     |                         |  |              |              |                   |                  |                     |                |   |              |              |                   |      |                    |        |
| <p style="text-align: center;">Solder-Pot Bulkhead Jack – Front Mount<br/><small>SMA6351B1xT50G50</small></p>  | <p style="text-align: center;">Solder-Pot Bulkhead Jack – Rear Mount<br/><small>SMA6451B1xT50G50</small></p>  | <p style="text-align: center;">Solder-Pot Bulkhead Jack – Rear Mount<br/><small>SMA6451A1xT50G50</small></p>  |                   |                           |                     |                         |  |              |              |                   |                  |                     |                |   |              |              |                   |      |                    |        |
| <table border="1" style="width: 100%; border-collapse: collapse;"> <thead> <tr> <th style="width: 30%;">Part Number:</th> <th>Description:</th> </tr> </thead> <tbody> <tr> <td><b>9019889RFX</b></td> <td>Gold</td> </tr> <tr> <td><b>9019889XRFX</b></td> <td>Nickel</td> </tr> </tbody> </table>  | Part Number:  | Description:  | <b>9019889RFX</b> | Gold                      | <b>9019889XRFX</b>  | Nickel                  | <table border="1" style="width: 100%; border-collapse: collapse;"> <thead> <tr> <th style="width: 30%;">Part Number:</th> <th>Description:</th> </tr> </thead> <tbody> <tr> <td><b>9019890RFX</b></td> <td>Gold</td> </tr> <tr> <td><b>9019890XRFX</b></td> <td>Nickel</td> </tr> </tbody> </table>                      | Part Number: | Description: | <b>9019890RFX</b> | Gold             | <b>9019890XRFX</b>  | Nickel         | <table border="1" style="width: 100%; border-collapse: collapse;"> <thead> <tr> <th style="width: 30%;">Part Number:</th> <th>Description:</th> </tr> </thead> <tbody> <tr> <td><b>9019959RFX</b></td> <td>Gold</td> </tr> <tr> <td><b>9019959XRFX</b></td> <td>Nickel</td> </tr> </tbody> </table> | Part Number: | Description: | <b>9019959RFX</b> | Gold | <b>9019959XRFX</b> | Nickel |
| Part Number:   | Description:  |   |                   |                           |                     |                         |  |              |              |                   |                  |                     |                |   |              |              |                   |      |                    |        |
| <b>9019889RFX</b>  | Gold  |   |                   |                           |                     |                         |  |              |              |                   |                  |                     |                |   |              |              |                   |      |                    |        |
| <b>9019889XRFX</b>   | Nickel  |   |                   |                           |                     |                         |  |              |              |                   |                  |                     |                |   |              |              |                   |      |                    |        |
| Part Number:   | Description:  |   |                   |                           |                     |                         |  |              |              |                   |                  |                     |                |   |              |              |                   |      |                    |        |
| <b>9019890RFX</b>  | Gold  |   |                   |                           |                     |                         |  |              |              |                   |                  |                     |                |   |              |              |                   |      |                    |        |
| <b>9019890XRFX</b>   | Nickel  |   |                   |                           |                     |                         |  |              |              |                   |                  |                     |                |   |              |              |                   |      |                    |        |
| Part Number:   | Description:  |   |                   |                           |                     |                         |  |              |              |                   |                  |                     |                |   |              |              |                   |      |                    |        |
| <b>9019959RFX</b>  | Gold  |   |                   |                           |                     |                         |  |              |              |                   |                  |                     |                |   |              |              |                   |      |                    |        |
| <b>9019959XRFX</b>   | Nickel  |   |                   |                           |                     |                         |  |              |              |                   |                  |                     |                |   |              |              |                   |      |                    |        |

ARFA/RF

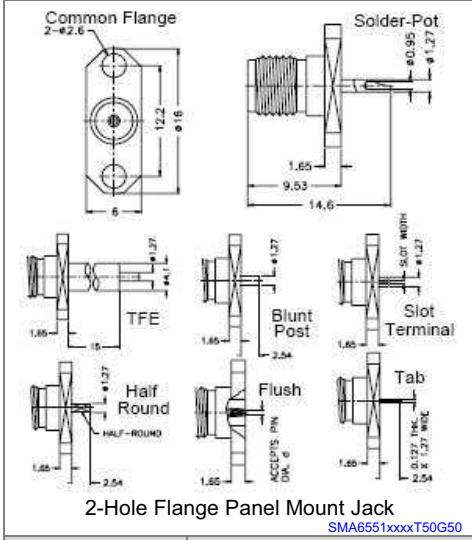
# Amphenol

## Telecom Solutions

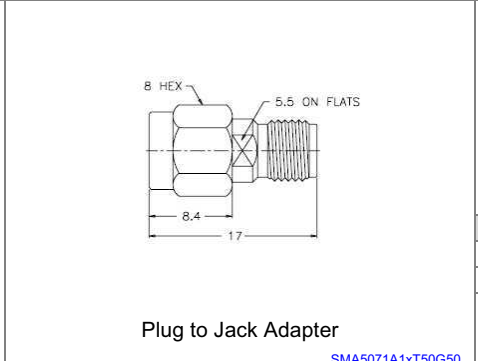
### SMA 901 Series 50 Ohm – Continued



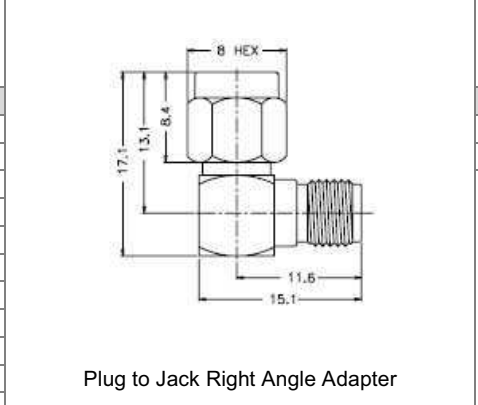
| Part Number: | Description:                 | Part Number: | Description:                 | Part Number: | Description:                 |
|--------------|------------------------------|--------------|------------------------------|--------------|------------------------------|
| 9019960RFX   | Solder-Pot - Gold            | 9019892RFX   | Solder-Pot - Gold            | 9019961RFX   | Solder-Pot - Gold            |
| 9019960XRFX  | Solder-Pot - Nickel          | 9019892XRFX  | Solder-Pot - Nickel          | 9019961XRFX  | Solder-Pot - Nickel          |
| 9019962RFX   | Exposed TFE Type - Gold      | 9019887RFX   | Exposed TFE Type - Gold      | 9019963RFX   | Exposed TFE Type - Gold      |
| 9019962XRFX  | Exposed TFE Type - Nickel    | 9019887XRFX  | Exposed TFE Type - Nickel    | 9019963XRFX  | Exposed TFE Type - Nickel    |
| 9019964RFX   | Blunt Post - Gold            | 9019966RFX   | Blunt Post - Gold            | 9019965RFX   | Blunt Post - Gold            |
| 9019964XRFX  | Blunt Post - Nickel          | 9019966XRFX  | Blunt Post - Nickel          | 9019965XRFX  | Blunt Post - Nickel          |
| 9019968RFX   | Slot Terminal - Gold         | 9019970RFX   | Slot Terminal - Gold         | 9019969RFX   | Slot Terminal - Gold         |
| 9019968XRFX  | Slot Terminal - Nickel       | 9019970XRFX  | Slot Terminal - Nickel       | 9019969XRFX  | Slot Terminal - Nickel       |
| 9019972RFX   | Half Round Terminal - Gold   | 9019974RFX   | Half Round Terminal - Gold   | 9019973RFX   | Half Round Terminal - Gold   |
| 9019972XRFX  | Half Round Terminal - Nickel | 9019974XRFX  | Half Round Terminal - Nickel | 9019973XRFX  | Half Round Terminal - Nickel |
| 9019976RFX   | Flush with Flange - Gold     | 9019978RFX   | Flush with Flange - Gold     | 9019977RFX   | Flush with Flange - Gold     |
| 9019976XRFX  | Flush with Flange - Nickel   | 9019978XRFX  | Flush with Flange - Nickel   | 9019977XRFX  | Flush with Flange - Nickel   |
| 9019980RFX   | Tab Terminal - Gold          | 9019982RFX   | Tab Terminal - Gold          | 9019981RFX   | Tab Terminal - Gold          |
| 9019980XRFX  | Tab Terminal - Nickel        | 9019982XRFX  | Tab Terminal - Nickel        | 9019981XRFX  | Tab Terminal - Nickel        |



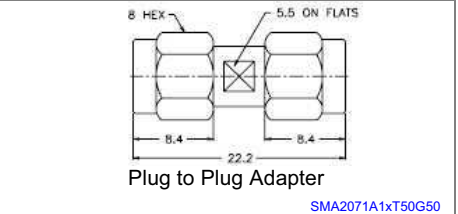
| Part Number: | Description:                 |
|--------------|------------------------------|
| 9019893RFX   | Solder-Pot - Gold            |
| 9019893XRFX  | Solder-Pot - Nickel          |
| 9019891RFX   | Exposed TFE Type - Gold      |
| 9019891XRFX  | Exposed TFE Type - Nickel    |
| 9019967RFX   | Blunt Post - Gold            |
| 9019967XRFX  | Blunt Post - Nickel          |
| 9019971RFX   | Slot Terminal - Gold         |
| 9019971XRFX  | Slot Terminal - Nickel       |
| 9019975RFX   | Half Round Terminal - Gold   |
| 9019975XRFX  | Half Round Terminal - Nickel |
| 9019979RFX   | Flush with Flange - Gold     |
| 9019979XRFX  | Flush with Flange - Nickel   |
| 9019983RFX   | Tab Terminal - Gold          |
| 9019983XRFX  | Tab Terminal - Nickel        |



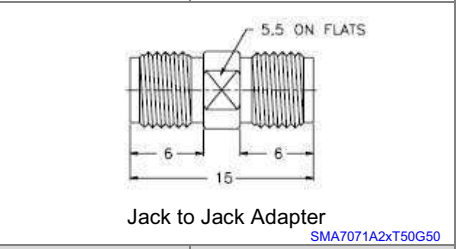
| Part Number: | Description: |
|--------------|--------------|
| 9019987RFX   | Gold         |
| 9019987XRFX  | Nickel       |



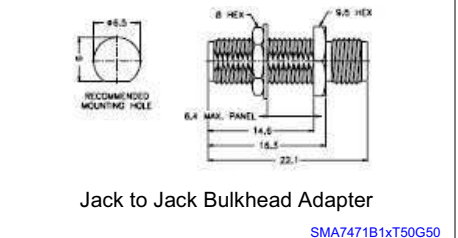
| Part Number: | Description: |
|--------------|--------------|
| 9019988RFX   | Gold         |
| 9019988XRFX  | Nickel       |



| Part Number: | Description: |
|--------------|--------------|
| 9019984RFX   | Gold         |
| 9019984XRFX  | Nickel       |



| Part Number: | Description: |
|--------------|--------------|
| 9019985RFX   | Gold         |
| 9019985XRFX  | Nickel       |



| Part Number: | Description: |
|--------------|--------------|
| 9019986RFX   | Gold         |
| 9019986XRFX  | Nickel       |

# Mouser Electronics

Authorized Distributor

Click to View Pricing, Inventory, Delivery & Lifecycle Information:

[Amphenol:](#)

[901-9986-RFX](#) [901-9988-RFX](#)