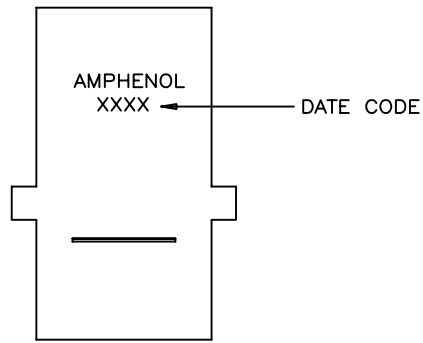
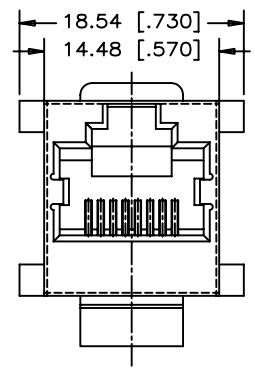


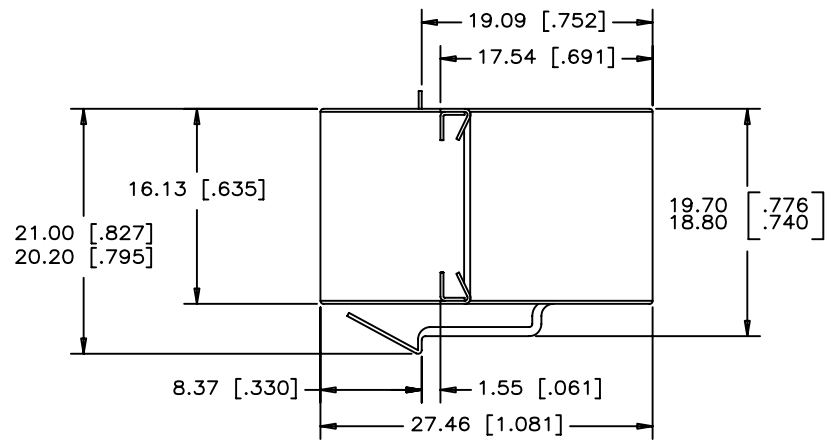
REVISIONS			
SYM	ECN, ERN NO.	DATE	APPRD.
A	PROPOSAL	05/12/21	LCHAN



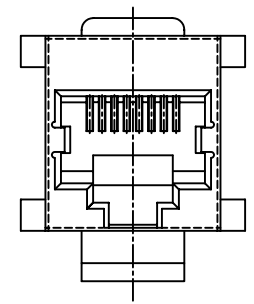
TOP VIEW



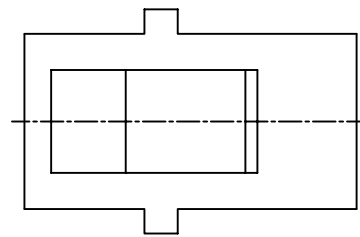
FRONT VIEW



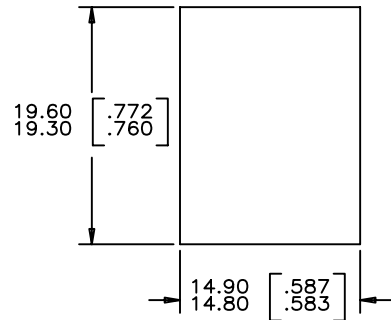
SIDE VIEW



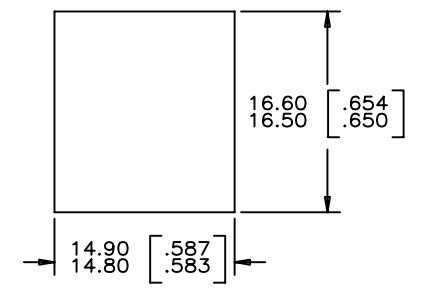
REAR VIEW



BOTTOM VIEW



SINGLE PANEL - LATCH CLEARANCE  
PANEL THICKNESS 1.57 [.062]



RECOMMENDED CUTOUT FOR JACK  
CLEARANCE WITHOUT LATCH FEATURE

**MATERIALS:**  
 HOUSING: HIGH TEMPERATURE THERMOPLASTIC  
 FLAMMABILITY RATING UL 94V-0.  
 COLOUR: BLACK  
 SHIELD: STAINLESS STEEL.  
 CONTACT: PHOSPHOR BRONZE.  
 PLATING: 6 u" GOLD ON MATING SURFACES  
 50 u"[1.27 MICRONS]MIN. NICKEL UNDERPLATE.  
 100 u"[2.54 MICRONS] MIN. MATTE TIN OR GOLD  
 FLASH ON CONTACT TAILS.

AMPHENOL PART NUMBER: RJE17-288-1121

UNLESS OTHERWISE SPECIFIED TOLERANCES ARE ±0.25 mm

MATERIAL	DRAWN <i>Chigow</i>	DATE
	DESIGNED	05/12/22
FINISH	CHECKED <i>PAULW</i>	05/12/22
	I. E. APPRD.	
	Q. A. APPRD.	
	DWG. APPRD.	
	ENG. REL. NO.	
	REF.	
	DIMENSIONS ARE IN	CODE ID. NO.
	mm [INCHES]	03554

Amphenol Canada Corp.		
TITLE MODULAR COUPLER JACK, 8 POSITION, 8 CONTACTS, WITH SHIELD, WITH FLANGE (WITH PANEL LATCH)-RoHS COMPLIANT		
DWG	DRAWING NO.	REV.
C	P-RJE17-288-1121	A
SCALE	3/1	WT. _____
SURF.	_____	SHEET 1 OF 1

THIS DOCUMENT CONTAINS PROPRIETARY INFORMATION AND SUCH INFORMATION MAY NOT BE DISCLOSED TO OTHERS FOR ANY PURPOSE OR USED FOR MANUFACTURING PURPOSES WITHOUT WRITTEN PERMISSION FROM AMPHENOL CANADA CORP.

# Mouser Electronics

Authorized Distributor

Click to View Pricing, Inventory, Delivery & Lifecycle Information:

[Amphenol:](#)

[RJE17-288-1121](#)