

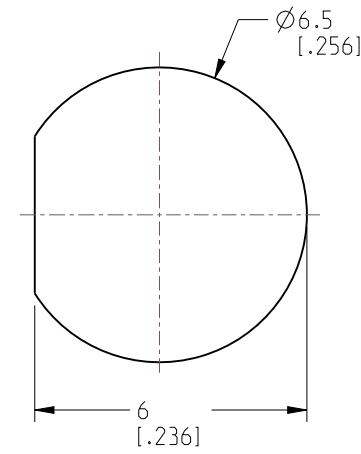
NOTES:

1. MATERIALS AND FINISHES:
 BODY - BRASS, GOLD PLATING
 CONTACT - BERYLLIUM COPPER, GOLD PLATING
 INSULATOR - PTFE, NATURAL
 LOCK WASHER & HEX NUT - STAINLESS STEEL, PASSIVATED
2. ELECTRICAL:
 A. IMPEDANCE: 50 OHM
 B. FREQUENCY RANGE: DC-26.5 GHz
 C. VSWR (RETURN LOSS): 1.15 MAX. DC - 12 GHz
 1.20 MAX. 12 - 18 GHz
 1.30 MAX. 18 - 26.5 GHz
 D. DIELECTRIC WITHSTANDING VOLTAGE: 1000 VRMS. MIN.
3. MECHANICAL:
 A. DURABILITY: 500 CYCLES MIN.
 B. TEMPERATURE RANGE: -65°C TO 165°C

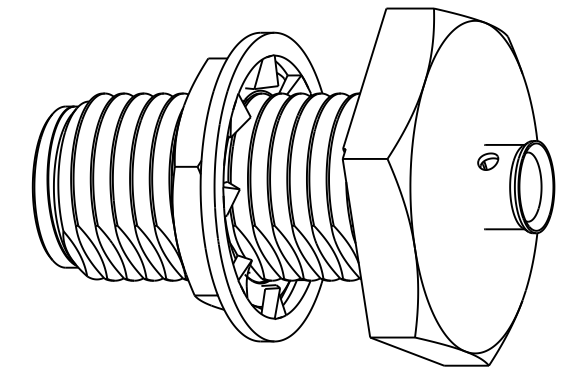
4. PACKAGING:
 A. QUANTITY: SINGLE PACK
 B. MARKING: PACKAGING TO BE MARKED
 "AMPHENOL RF, 901-10745, YYWW"
5. CABLE ASSEMBLY INSTRUCTIONS:
 A. TRIM CABLE AS SHOWN.
 B. SLIDE INSULATOR DISC ONTO CABLE CENTER CONDUCTOR.
 C. INSERT CABLE INTO CONNECTOR AND SOLDER BODY TO
 THE OUTER CONDUCTOR.

6 SHOWS CABLE ENTRY DIMENSIONS.

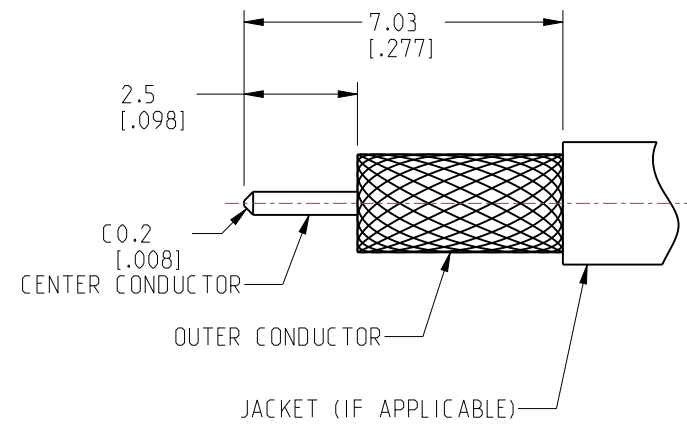
| REVISIONS | | | | |
|-----------|-----------------|----------|-------|------|
| REV | DESCRIPTION | DATE | ECN | APPR |
| A | RELEASE TO MFG. | 5-FEB-21 | 15747 | SH |



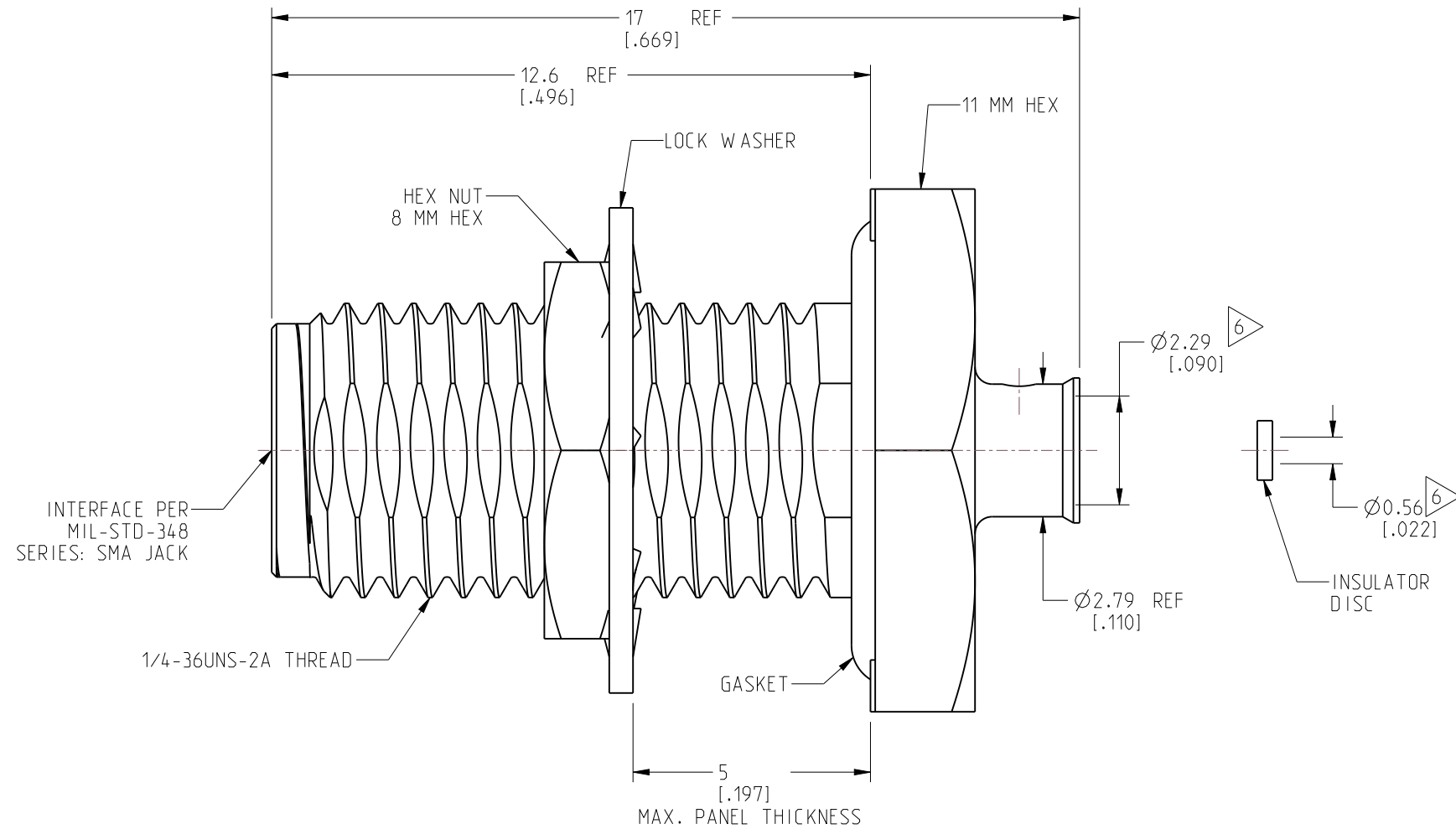
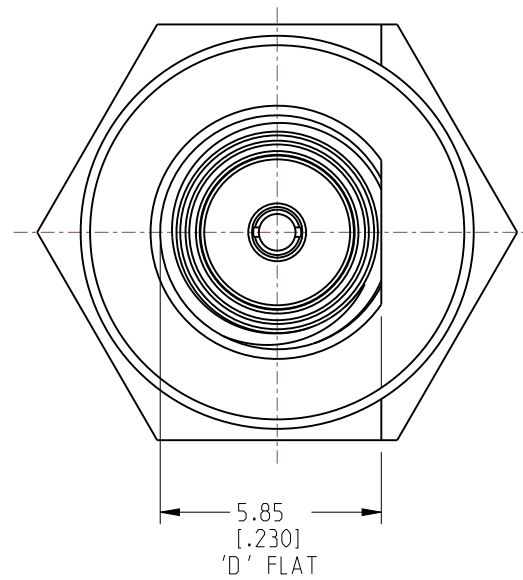
RECOMMENDED PANEL MOUNTING HOLE



SCALE 4.000



RECOMMENDED CABLE STRIPPING DIMENSIONS



CUSTOMER OUTLINE DRAWING

ALL OTHER SHEETS ARE FOR INTERNAL USE ONLY

NOTICE: These drawings, specifications, or other data (1) are, and remain the property of Amphenol corp. (2) must be returned upon request; and (3) are confidential and not to be disclosed to any person other than those to whom they are given by Amphenol Corp. The furnishing of these drawings, specifications, or other data by Amphenol Corp., or to any other person to anyone for any purpose is not to be regarded by implication or otherwise in any manner licensing, granting rights to permitting such holder or any other person to manufacture, use or sell any product, process or design, patented or otherwise, that may in any way be related to or disclosed by said drawings, specifications, or other data.

UNLESS OTHERWISE SPECIFIED DIMENSIONS ARE METRIC (INCHES) AND TOLERANCES ARE:
 <0.5mm = ±0.05mm [$\pm 0.020 = \pm 0.002$]
 >0.5 - 6mm = ±0.1mm [$\pm 0.020 - 0.236 = \pm 0.004$]
 >6.00 - 30mm = ±0.2mm [$\pm 0.236 - 1.181 = \pm 0.008$]
 >30.00 - 120mm = ±0.3mm [$\pm 1.181 - 4.725 = \pm 0.012$]
 ANGLES = ±1°

MATERIAL: SEE NOTES
 ENGINEER: E.W.U
 DATE: 26-JAN-21

TITLE: SMA STR BHD JACK FOR 0.085" CABLE, IP67 26.5 GHz
 SHEET NO. 2 OF 2
 SCALE: 7.5:1.0

| | | |
|---------|-----------------------|--------|
| SIZE: B | DRAWING NO. 901-10745 | REV: A |
| | ITEM NO. 901-10745 | |
| | PART NO. 901-10745 | |

Mouser Electronics

Authorized Distributor

Click to View Pricing, Inventory, Delivery & Lifecycle Information:

[Amphenol:](#)

[901-10745](#)