

- 38999
- III
- HD
- Dualok
- II
- I
- SJT
- Accessories
- Aquacon
- Herm/Seal
- PCB

- HIGH SPEED
- Fiber Optics
- Contacts
- Connectors
- Cables

- EMI Filter
- Transient

- 26482
- Matrix 2

- 83723 III
- Matrix | Pyle

- 26500
- Pyle

- 5015
- Crimp Rear Release
- Matrix

- 22992
- Class I

- Back-Shells

- Options
- Others

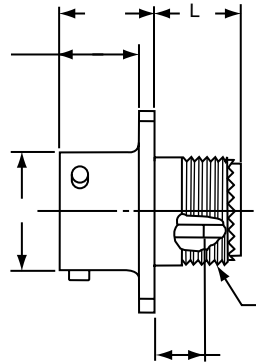
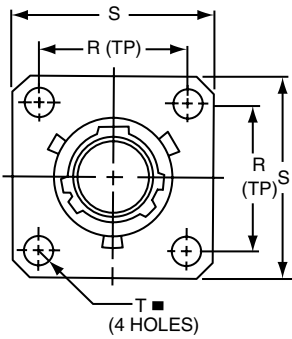
PART # Part number reference. To complete, see how to order pages 62-66.

Commercial

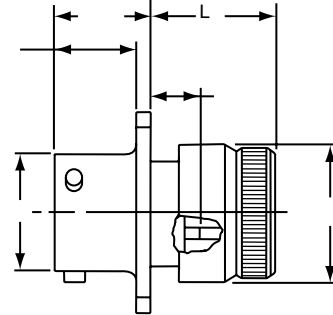
Connector Type	Shell Style	Service Class	Shell Size & Insert Arrg	Contact Type	Alternate Position	Special Variations
JT/JTS/JTN	00	RT	22-2	P	A	(XXX)

Military

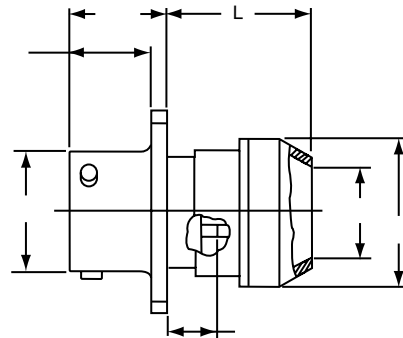
MS Number	Service Class	Shell Size	Finish	Insert Arrg	Contact Style (P or S)	Alternate Position
MS27472	E	14	A	18	P	A
MS27479	E	14	A	18	P	A



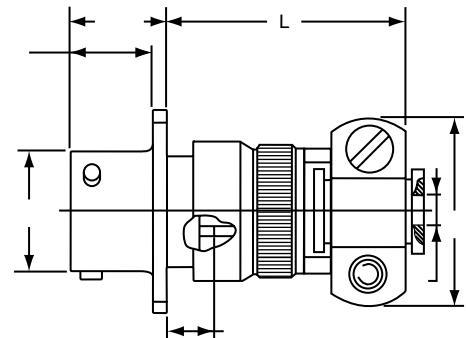
* JT00RT-XX-XXX (MS27472T)
 ** JTS00RT-XX-XXX (MS27479T)
 *** JTN00RT-XX-XXX



* JT00RE-XX-XXX (MS27472E)
 ** JTS00RE-XX-XXX (MS27479E)
 *** JTN00RE-XX-XXX



* JT00RP-XX-XXX (MS27472P)
 ** JTS00RP-XX-XXX
 *** JTN00RP-XX-XXX



* JT00RE-XX-XXX (SR)
 ** JTS00RE-XX-XXX (SR)
 *** JTN00RE-XX-XXX (SR)

⊕ .005 DIA ⊕ M

* Standard Junior Tri-Lock
 ** High temperature version
 *** Clear iridite finish (gold color), N₂O₄ resistant

Shell Size	F Dia. +.010 - .025	F ¹ Dia. ±.010	L Max.	L ¹ Max.	L ² Max.	L ³ Max.	N +.001 - .005	R (TP)	S ±.016	T ±.005	V Thread UNEF Class 2A (Plated)	KK Max.	KK ¹ Dia. Max.	KK ² Dia. Max.
8	.125	.444	1.094	.609	.547	.500	.473	.594	.812	.120	.4375-28	.812	.625	.578
10	.188	.558	1.094	.609	.547	.500	.590	.719	.938	.120	.5625-24	.875	.750	.703
12	.312	.683	1.094	.609	.547	.500	.750	.812	1.031	.120	.6875-24	1.000	.875	.828
14	.375	.808	1.344	.609	.547	.500	.875	.906	1.125	.120	.8125-20	1.125	1.000	.953
16	.500	.909	1.344	.609	.547	.500	1.000	.969	1.219	.120	.9375-20	1.188	1.125	1.078
18	.625	1.034	1.344	.609	.547	.500	1.125	1.062	1.312	.120	1.0625-18	1.438	1.250	1.203
20	.625	1.159	1.344	.609	.547	.500	1.250	1.156	1.438	.120	1.1875-18	1.438	1.375	1.328
22	.750	1.284	1.469	.609	.547	.500	1.375	1.250	1.562	.120	1.3125-18	1.625	1.500	1.453
24	.800	1.409	1.469	.688	.547	.500	1.500	1.375	1.688	.147	1.4375-18	1.719	1.625	1.578

All dimensions for reference only.

Mouser Electronics

Authorized Distributor

Click to View Pricing, Inventory, Delivery & Lifecycle Information:

[Amphenol:](#)

[MS27472P16F26PB](#) [MS27472P16F26PC](#) [MS27472P16F26SD](#) [MS27472P16F35PB](#) [MS27472P16F99PA](#)
[MS27472P16F99S](#) [MS27472P16F99PD](#) [MS27472P18F11SA](#) [MS27472P18F11S](#) [MS27472P18F11SC](#)
[MS27472P18F11PD](#) [MS27472P18F28SA](#) [MS27472P18F28S](#) [MS27472P18F28PD](#) [MS27472P18F32SA](#)
[MS27472P18F32S](#) [MS27472P18F35SC](#) [MS27472P20F16S](#) [MS27472P20F16SC](#) [MS27472P20F35S](#)
[MS27472P20F39PA](#) [MS27472P20F41S](#) [MS27472P22F32SA](#) [MS27472P22F55PA](#) [MS27472P22F55SC](#)
[MS27472P24F4PA](#) [MS27472P24F4S](#) [MS27472P24F4SC](#) [MS27472P24F24PA](#) [MS27472P24F24S](#)
[MS27472P24F29PA](#) [MS27472P24F35S](#) [MS27472P24F61PA](#) [MS27472P24F61S](#) [MS27472P24F61SC](#)
[MS27472P8F35PD\(LC\)](#) [MS27472T10F5AA](#) [MS27472T10F5AC](#) [MS27472T10F35AA](#) [MS27472T10F35AB](#)
[MS27472T10F35AC](#) [MS27472T10F98AA](#) [MS27472T12F3BD](#) [MS27472T12F4A](#) [MS27472T12F4AB](#)
[MS27472T12F4AC](#) [MS27472T12F8A](#) [MS27472T12F8AC](#) [MS27472T12F35AB](#) [MS27472T12F35AC](#)
[MS27472T12F98AB](#) [MS27472T12F98AC](#) [MS27472T14F5AC](#) [MS27472T14F5BD](#) [MS27472T14F15AB](#)
[MS27472T14F18AC](#) [MS27472T14F18BD](#) [MS27472T16F8BB](#) [MS27472T16F26AC](#) [MS27472T16F35BB](#)
[MS27472T16F35BD](#) [MS27472T16F99AA](#) [MS27472T16F99BA](#) [MS27472T16F99B](#) [MS27472T16F99BC](#)
[MS27472T18F11AA](#) [MS27472T18F11B](#) [MS27472T18F11AC](#) [MS27472T18F28BC](#) [MS27472T18F30AB](#)
[MS27472T18F30B](#) [MS27472T18F32AA](#) [MS27472T18F32B](#) [MS27472T18F32BC](#) [MS27472T18F35AA](#)
[MS27472T20F35AA](#) [MS27472T20F35AB](#) [MS27472T20F35BC](#) [MS27472T20F41AA](#) [MS27472T20F41BC](#)
[MS27472T22F21AA](#) [MS27472T22F21AB](#) [MS27472T22F32AA](#) [MS27472T22F32BD](#) [MS27472T22F35BC](#)
[MS27472T22F55AC](#) [MS27472T24F4BC](#) [MS27472T24F24AB](#) [MS27472T24F29AB](#) [MS27472T24F35AA](#)
[MS27472T24F35AB](#) [MS27472T24F61AA](#) [MS27472E22F2BD](#) [MS27472E12F4S](#) [MS27472E20F35SA](#)
[MS27472E20F41P](#) [MS27472P16B6S](#) [MS27472T20F16P](#) [MS27472T24B35A](#) [MS27472T16F26SA](#)