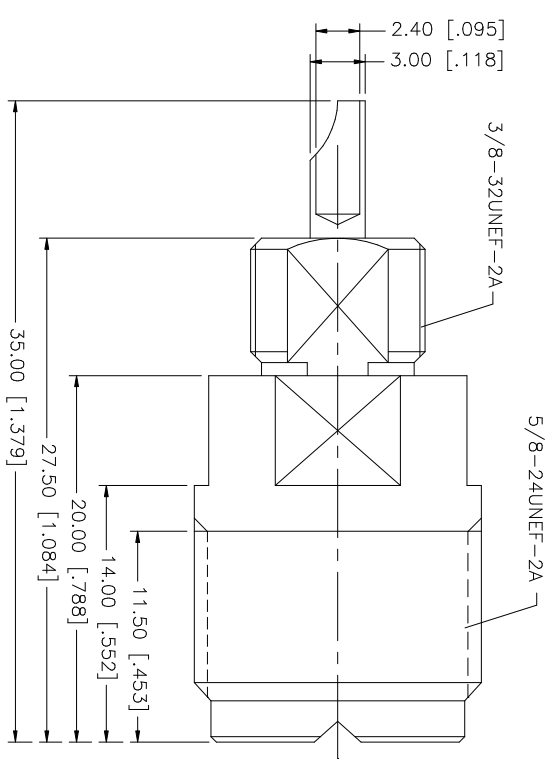
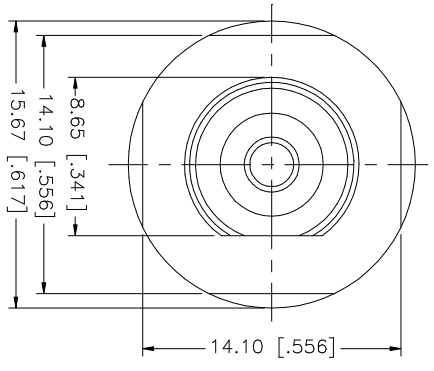
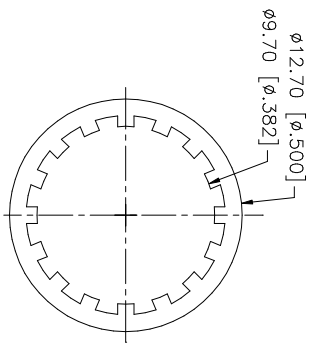
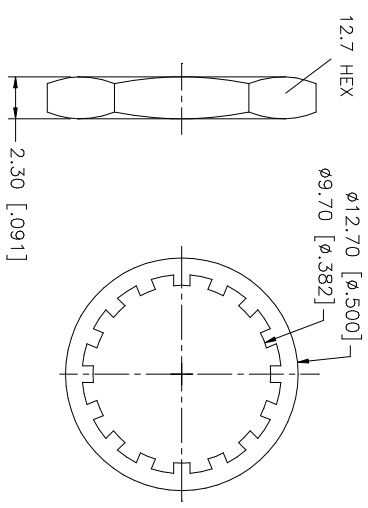
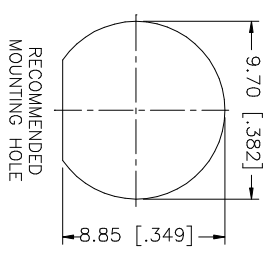


REV.	DATE	DESCRIPTION
NC	05/20/03	INITIAL RELEASE



NO.	DESCRIPTION	MATERIAL	FINISH	QTY	UNLESS OTHERWISE SPECIFIED DIMENSIONS ARE IN MILLIMETERS, DIMENSIONS IN [ ] ARE IN INCHES AND FOR CUSTOMER REFERENCE ONLY.	APPROVALS	DATE	PART DESCRIPTION	DWG. NO.	REV.	NC	SIZE	SCALE
8					UNLESS OTHERWISE SPECIFIED DIMENSIONS ARE IN MILLIMETERS, DIMENSIONS IN [ ] ARE IN INCHES AND FOR CUSTOMER REFERENCE ONLY.			<b>Amphenol Connex</b> UHF BULKHEAD RECEPTACLE JACK WITH BNC MOUNTING HOLE 182131	182131.DWG	NC	A	NA	
7				UNLESS OTHERWISE SPECIFIED TOLERANCES FOR MILLIMETERS ARE:	DRAWN	G.R.S.	05/20/03						
6				0.5 - 8mm ± 0.20mm	CHECKED								
5	HEX NUT	BRASS	NICKEL	8 - 30mm ± 0.40mm	ISSUED								
4	LOCK WASHER	BRASS	NICKEL	30 - 120mm ± 0.50mm	SHEET	1 OF 1							
3	CONTACT PIN	BRASS	GOLD	UNLESS OTHERWISE SPECIFIED TOLERANCES FOR INCHES ARE:									
2	INSULATOR	TEFLON	NATURAL	.020 - .315 = ± 0.007"									
1	BODY	BRASS	NICKEL	.315 - 1.180 = ± 0.015" 1.180 - 4.724 = ± 0.020"									
	DESCRIPTION				DO NOT SCALE DRAWING								

# Mouser Electronics

Authorized Distributor

Click to View Pricing, Inventory, Delivery & Lifecycle Information:

[Amphenol:](#)

[182131](#)