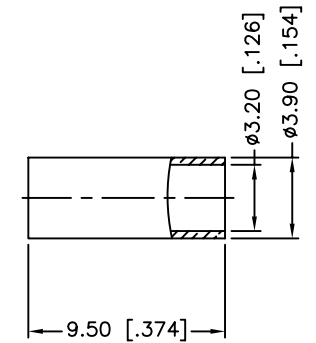
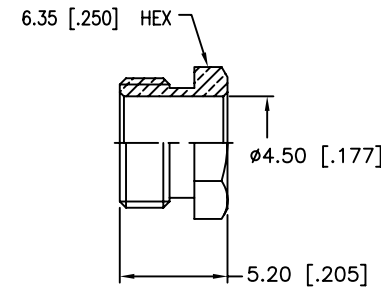
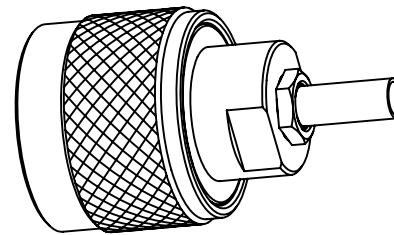
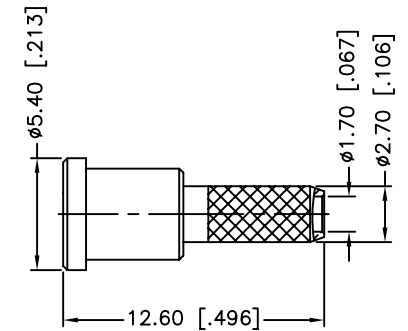
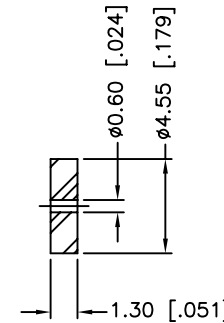
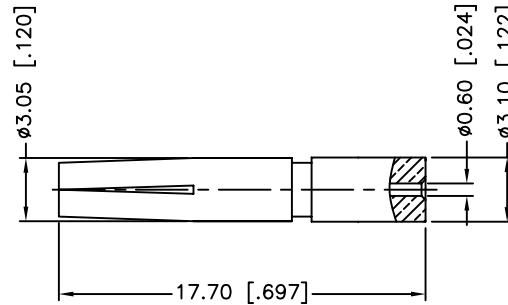
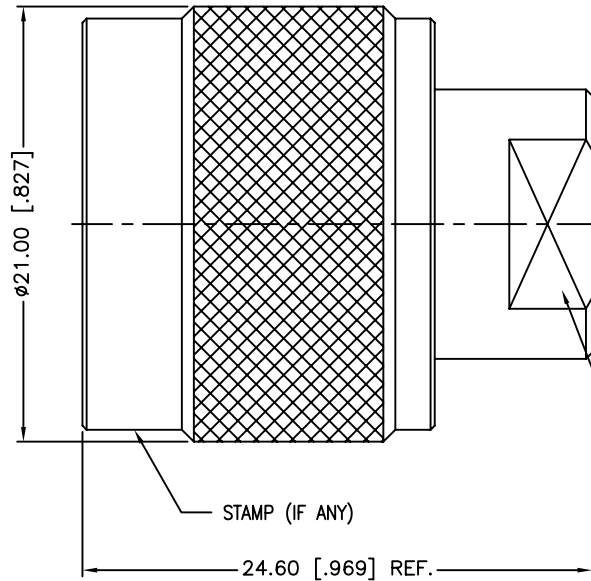


RECOMMENDED  
CABLE STRIPPING DIM'S

REV.	DATE	ECR NO.	DESCRIPTION
NC	09/28/98	XXXXXX	INITIAL RELEASE
A	02/19/07	XXXXXX	UPDATE DRAWING FORMAT
B	11/16/10	XXXXXX	CHANGE CABLE STRIPPING DIM'S



1. CRIMPED FERRULE  
HEX. CRIMP SIZE .128"
2. CRIMPED CONTACT PIN  
HEX. CRIMP SIZE .100"

DESCRIPTION	MATERIAL	FINISH	QTY
10 FERRULE	BRASS	NEXCOTE	1
9 HEX NUT	BRASS	NEXCOTE	1
8 BARREL	BRASS	NEXCOTE	1
7 INSULATOR	PTFE	NATURAL	1
6 CONTACT PIN	PHOSPHOR BRONZE	GOLD	1
5 RETAINING RING	SUS 304	NATURAL	1
4 GASKET	SILICONE	RED	1
3 INSULATOR	PTFE	NATURAL	1
2 BODY	BRASS	NEXCOTE	1
1 SHELL	BRASS	NEXCOTE	1

UNLESS OTHERWISE SPECIFIED DIMENSIONS ARE IN MILLIMETERS. DIMENSIONS IN [ ] ARE IN INCHES AND FOR CUSTOMER REFERENCE ONLY.

UNLESS OTHERWISE SPECIFIED TOLERANCES FOR MILLIMETERS ARE:  
 0.5 - 8mm ± 0.20mm  
 8 - 30mm ± 0.40mm  
 30 - 120mm ± 0.50mm

UNLESS OTHERWISE SPECIFIED TOLERANCES FOR INCHES ARE:  
 .020 - .315 ± 0.007"  
 .315 - 1.180 ± 0.015"  
 1.180 - 4.724 ± 0.020"

DO NOT SCALE DRAWING

APPROVALS	DATE
DRAWN M.ZHANG	04/19/12
CHECKED	
ISSUED	
SHEET 1 OF 1	
CAD FILE C:/CONNEX/172128RP.DWG	

<b>Amphenol Connex</b>			
PART DESCRIPTION <b>N REVERSE POLARITY CRIMP PLUG (FOR RG-174/U,188A/U,316/U CABLE)</b>			
PART NO.		<b>172128RP</b>	
DWG. NO.	172128RP.DWG	REV.	B
SIZE	A	SCALE	NA

# Mouser Electronics

Authorized Distributor

Click to View Pricing, Inventory, Delivery & Lifecycle Information:

[Amphenol:](#)

[172128RP](#)