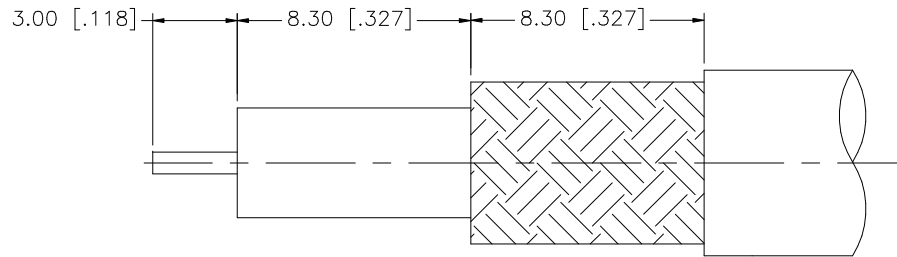
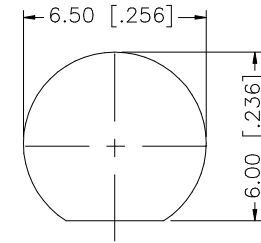


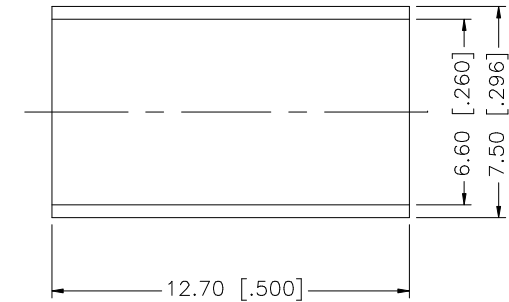
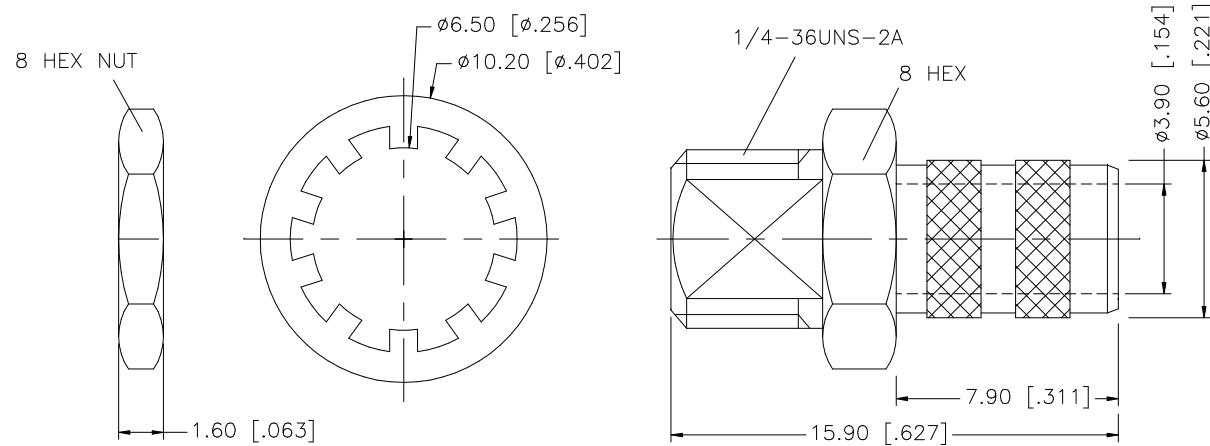
REV.	DATE	DESCRIPTION
NC	03/06/00	INITIAL RELEASE
A	12/15/05	UPDATE DRAWING FORMAT



RECOMMENDED
CABLE STRIPPING DIM'S



RECOMMENDED
MOUNTING HOLE



CRIMP NOTES:

1. CRIMPED FERRULE
HEX CRIMP SIZE .255"

REV.	DATE	DESCRIPTION
8		
7		
6		
5	FERRULE	COPPER NICKEL 1
4	HEX NUT	BRASS NICKEL 1
3	LOCK WASHER	BRASS NICKEL 1
2	INSULATOR	TEFLON NATURAL 1
1	BODY	BRASS NICKEL 1
DESCRIPTION		MATERIAL FINISH QTY
		DO NOT SCALE DRAWING
APPROVALS		DATE
DRAWN G.R.S.		12/15/05
CHECKED		
ISSUED		
SHEET 1 OF 1		
CAD FILE		C:/142/142273.DWG
PART DESCRIPTION		
BULKHEAD CABLE TERMINATION (FOR RG-59/U, LMR240 CABLE)		
PART NO. 142273		
DWG. NO.	142273.DWG	REV. A SIZE A SCALE NA

Amphenol Connex

Mouser Electronics

Authorized Distributor

Click to View Pricing, Inventory, Delivery & Lifecycle Information:

[Amphenol:](#)

[142273](#)