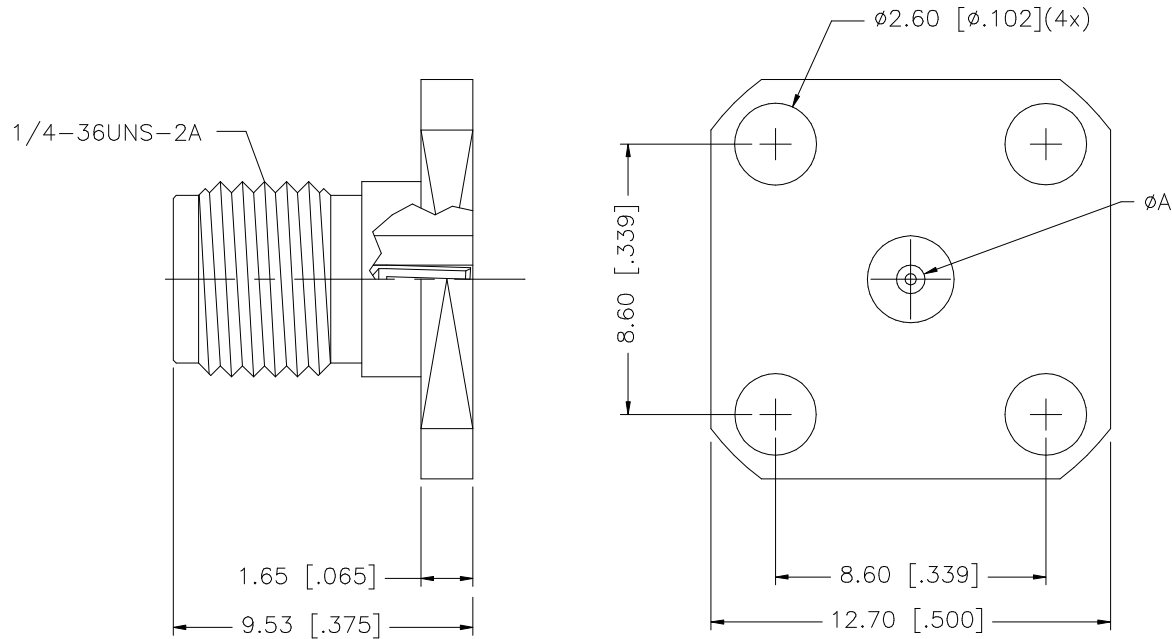


REV.	DATE	DESCRIPTION
NC	12/22/05	INITIAL RELEASE
A	02/11/07	ADD PART NUMBER / CENTER DIA. TABLE



ITEM NO.	DRAWING NO.	A
1.	132162	.30 [.012"]
2.	132162-10	.38 [.015"]
3.	132162-11	.46 [.018"]
4.	132162-12	.91 [.036"]

8				<small>UNLESS OTHERWISE SPECIFIED DIMENSIONS ARE IN MILLIMETERS. DIMENSIONS IN [ ] ARE IN INCHES AND FOR CUSTOMER REFERENCE ONLY.</small> <small>UNLESS OTHERWISE SPECIFIED TOLERANCES FOR MILLIMETERS ARE:</small> 0.5 - 8mm ± 0.20mm 8 - 30mm ± 0.40mm 30 - 120mm ± 0.50mm <small>UNLESS OTHERWISE SPECIFIED TOLERANCES FOR INCHES ARE:</small> .020 - .315 = ± 0.007" .315 - 1.180 = ± 0.015" 1.180 - 4.724 = ± 0.020"	APPROVALS	DATE	<h1 style="color: blue;">Amphenol Connex</h1>				
7					DRAWN	G.R.S.					02/11/07
6					CHECKED			<b>PART DESCRIPTION</b> SMA PANEL RECEPTACLE JACK			
5					ISSUED						
4					SHEET	1 OF 1		<b>PART NO.</b> 132162			
3	CONTACT PIN	BER. COPPER	GOLD	1			<b>DWG. NO.</b> 132162.DWG				
2	INSULATOR	TEFLON	NATURAL	1							<b>REV.</b> A <b>SIZE</b> A <b>SCALE</b> NA
1	BODY	BRASS	GOLD	1			<b>CAD FILE</b> C:/132/132162.DWG				
	DESCRIPTION	MATERIAL	FINISH	QTY	DO NOT SCALE DRAWING						

# Mouser Electronics

Authorized Distributor

Click to View Pricing, Inventory, Delivery & Lifecycle Information:

[Amphenol:](#)

[132162](#)