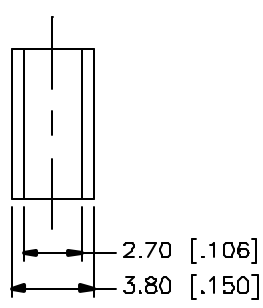
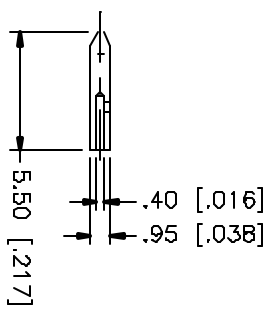
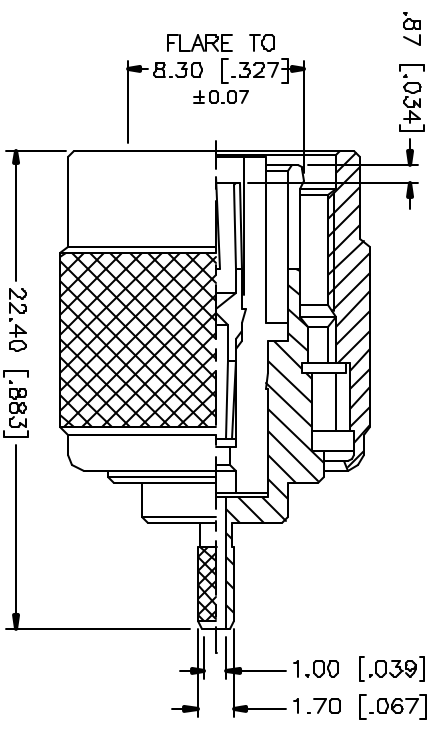
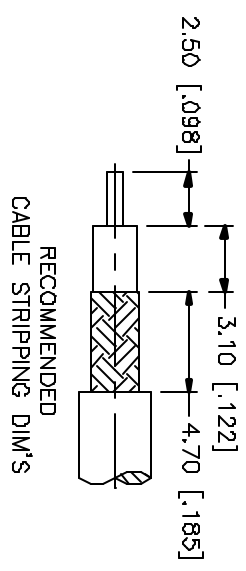


REV.	DATE	DESCRIPTION
NC	02/09/05	INITIAL RELEASE



NOTE:

1. CRIMPED FERRULE
HEX CRIMP SIZE .128"
2. CRIMPED CONTACT PIN
SQ. CRIMP SIZE 0.7mm

REV.	DATE	DESCRIPTION	MATERIAL	FINISH	QTY
8					
7					
6					
5					
4					
3					
2					
1					
<p>UNLESS OTHERWISE SPECIFIED DIMENSIONS ARE IN MILLIMETERS FOR DIMENSIONS IN INCHES AND FOR DIMENSIONS IN MILLIMETERS IN INCHES UNLESS OTHERWISE SPECIFIED.</p> <p>UNLESS OTHERWISE SPECIFIED TOLERANCES FOR MILLIMETER ARE: 0.5 - 8mm ± 0.20mm 8 - 30mm ± 0.40mm 30 - 120mm ± 0.50mm</p> <p>UNLESS OTHERWISE SPECIFIED TOLERANCES FOR INCHES ARE: .020 - .315 = ± 0.007" .315 - 1.180 = ± 0.015" 1.180 - 4.724 = ± 0.020"</p> <p>DO NOT SCALE DRAWING</p>					
APPROVALS		DATE			
BROWN G.R.S.		02/09/05			
CHECKED					
ISSUED					
SHEET 1 OF 1					
CAD FILE					
C:/122/122429RP.DWG					
DWG. NO.		REV.	NC	SIZE	A
122429RP.DWG					SCALE NA
<p>Amphenol Connex</p> <p>TNC REVERSE POLARITY CRIMP PLUG (FOR RG-178B/U, 196A/U)</p> <p>122429RP</p>					
<p>DESCRIPTION</p> <p>MATERIAL</p> <p>FINISH</p> <p>QTY</p>					

Mouser Electronics

Authorized Distributor

Click to View Pricing, Inventory, Delivery & Lifecycle Information:

[Amphenol:](#)

[122429RP](#)