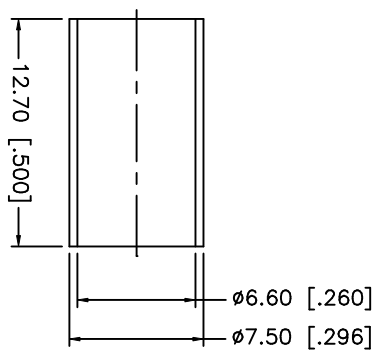
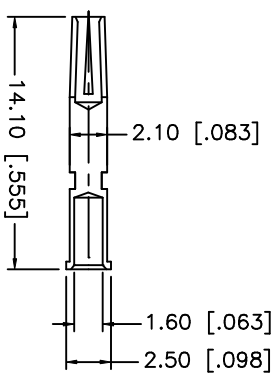
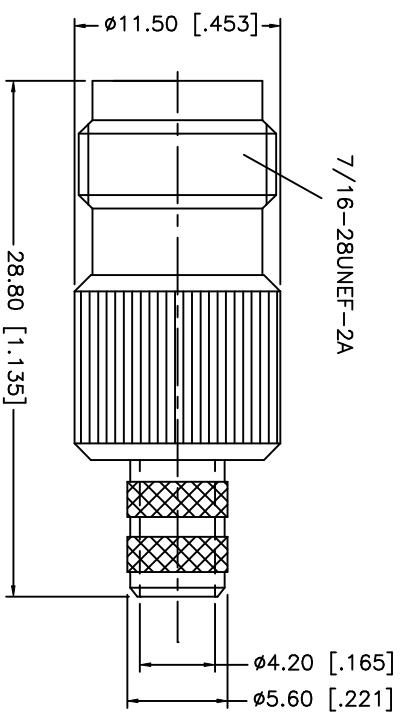
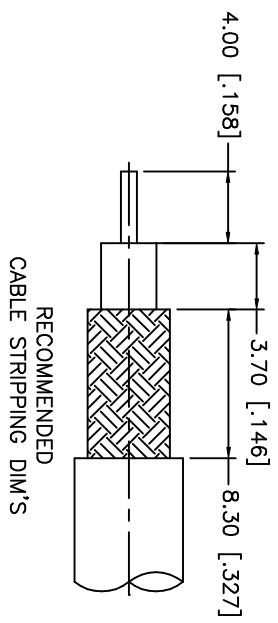


REV.	DATE	DESCRIPTION
NC	08/05/99	INITIAL RELEASE
A	07/20/05	UPDATE DRAWING FORMAT



8	UNLESS OTHERWISE SPECIFIED, DIMENSIONS ARE IN INCHES AND FOR CUSTOMER REFERENCE ONLY.	UNLESS OTHERWISE SPECIFIED, DIMENSIONS ARE IN MILLIMETERS AND FOR CUSTOMER REFERENCE ONLY.	UNLESS OTHERWISE SPECIFIED, DIMENSIONS FOR MILLIMETERS ARE:	UNLESS OTHERWISE SPECIFIED, DIMENSIONS FOR INCHES ARE:	APPROVALS	DATE	PART DESCRIPTION		
7			0.5 - 30mm ± 0.20mm	.020 - .315 = ± 0.0007"	DRAWN	07/20/05	Amphenol Connex TNC CRIMP JACK (FOR RG-8X, TIMES LMR-240 CABLE)		
6			8 - 30mm ± 0.40mm	.315 - 1.180 = ± 0.015"	CHECKED				
5			30 - 120mm ± 0.50mm	1.180 - 4.724 = ± 0.020"	ISSUED				
4	FERRULE	COPPER			SHEET	1 OF 1			
3	CONTACT PIN	PHOS. BRONZE							
2	INSULATOR	TEFLON					PART NO. 122409		
1	BODY	BRASS					DWG. NO. 122409.DWG		
	DESCRIPTION	MATERIAL	FINISH	QTY	DO NOT SCALE DRAWING	CAD FILE C:/122/122409.DWG	REV. A	SIZE A	SCALE NA

Mouser Electronics

Authorized Distributor

Click to View Pricing, Inventory, Delivery & Lifecycle Information:

[Amphenol:](#)

[122409](#)