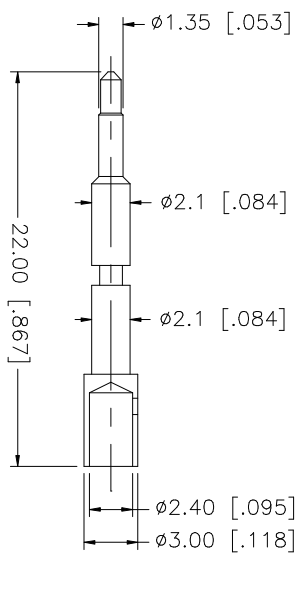
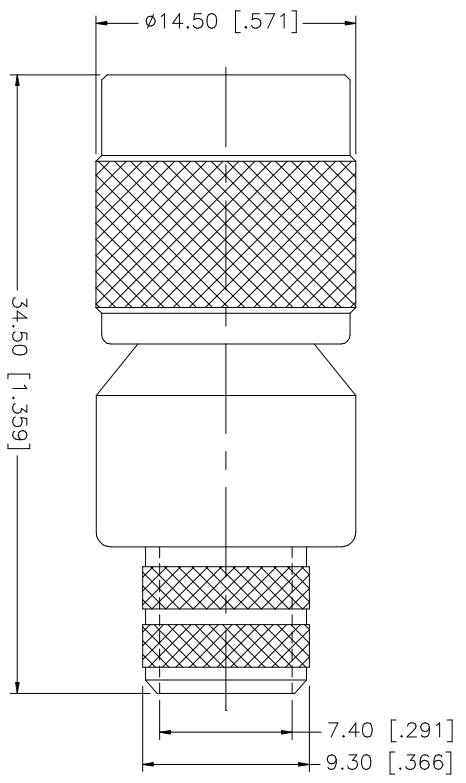
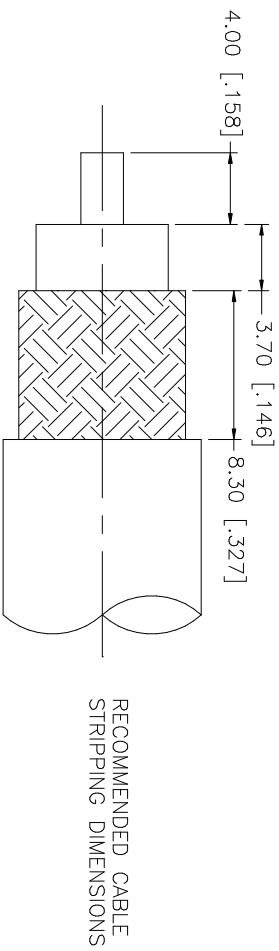
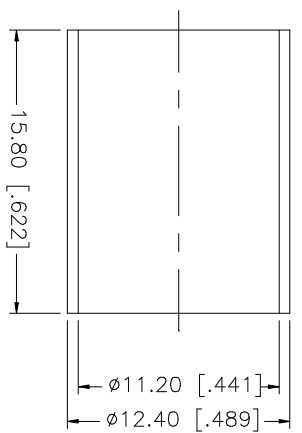


REV.	DATE	DESCRIPTION
NC	08/28/98	INITIAL RELEASE
A	07/20/05	UPDATE DRAWING FORMAT



- CRIMP NOTES:
1. CRIMPED FERRULE
HEX CRIMP SIZE .429"
 2. CRIMPED CONTACT PIN
HEX CRIMP SIZE .100"



DESCRIPTION	MATERIAL	FINISH	QTY	UNLESS OTHERWISE SPECIFIED DIMENSIONS ARE IN INCHES AND FOR CUSTOMER REFERENCE ONLY. TOLERANCES FOR MILLIMETERS ARE: UNLESS OTHERWISE SPECIFIED 0.5 - 8mm ± 0.20mm 8 - 30mm ± 0.40mm 30 - 120mm ± 0.50mm UNLESS OTHERWISE SPECIFIED TOLERANCES FOR INCHES ARE: UNLESS OTHERWISE SPECIFIED .020 - .315 = ± 0.007" .315 - 1.180 = ± 0.015" 1.180 - 4.724 = ± 0.020"	DO NOT SCALE DRAWING	CAD FILE	APPROVALS	DATE	PART DESCRIPTION	DWG. NO.	REV.	SIZE	SCALE
8									<p>Amphenol Connex</p> <p>TNC CRIMP PLUG (FOR 214/U CABLE)</p> <p>122398</p>	122398.DWG	A	A	NA
7													
6													
5													
4	FERRULE	BRASS	NICKEL	1									
3	CONTACT PIN	BRASS	GOLD	1									
2	INSULATOR	TEFLON	NATURAL	1									
1	BODY	BRASS	NICKEL	1									
DESCRIPTION				MATERIAL		FINISH		QTY					

Mouser Electronics

Authorized Distributor

Click to View Pricing, Inventory, Delivery & Lifecycle Information:

[Amphenol:](#)

[122398](#)