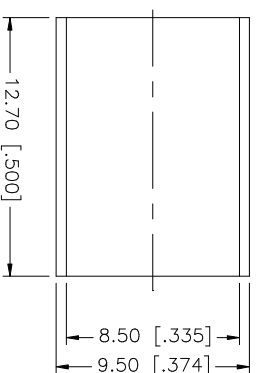
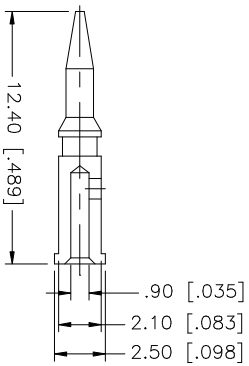
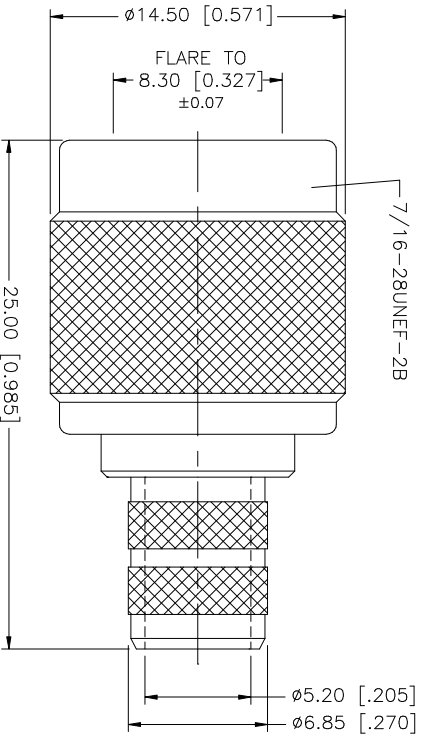
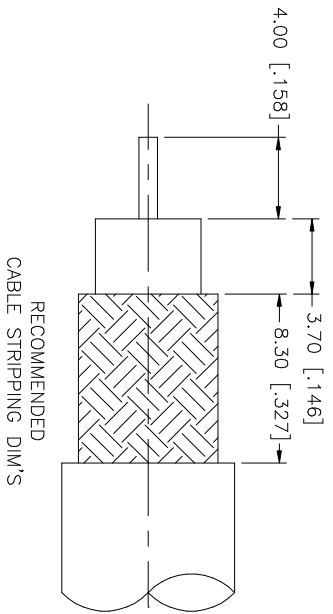


REV.	DATE	DESCRIPTION
NC	04/15/97	INITIAL RELEASE
A	04/20/06	UPDATE DRAWING FORMAT



8	DESCRIPTION	MATERIAL	FINISH	QTY	UNLESS OTHERWISE SPECIFIED DIMENSIONS ARE IN MILLIMETERS. DIMENSIONS IN [ ] ARE IN INCHES AND FOR SUBSTITUTED RESERVE DIM'S.	APPROVALS	DATE	PART DESCRIPTION	
7					UNLESS OTHERWISE SPECIFIED TOLERANCES FOR MILLIMETERS ARE:	DRAWN	G.R.S.	04/20/06	<p style="text-align: center;"><b>Amphenol Connex</b></p> <p style="text-align: center;">TNC CRIMP PLUG (FOR BELDIN 82B1 - 75ohm)</p>
6					0.5 - 8mm ± 0.20mm	CHECKED			
5					8 - 30mm ± 0.40mm	ISSUED			
4	FERRULE	BRASS	NICKEL	1	30 - 120mm ± 0.50mm	SHEET	1 OF 1		
3	CONTACT PIN	BRASS	GOLD	1	UNLESS OTHERWISE SPECIFIED TOLERANCES FOR INCHES ARE:				
2	INSULATOR	DELFIN	NATURAL	1	.020 - .315 = ± 0.007"				
1	BODY	BRASS	NICKEL	1	.315 - 1.180 = ± 0.015"				
					1.180 - 4.724 = ± 0.020"				
					DO NOT SCALE DRAWING				
						CAD FILE	C:/122/1122391.DWG		
						DWG. NO.	122391.DWG		
						REV.	A		
						SIZE	A		
						SCALE	NA		

# Mouser Electronics

Authorized Distributor

Click to View Pricing, Inventory, Delivery & Lifecycle Information:

[Amphenol:](#)

[122391](#)