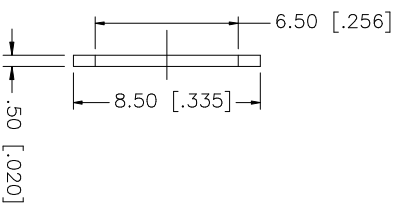
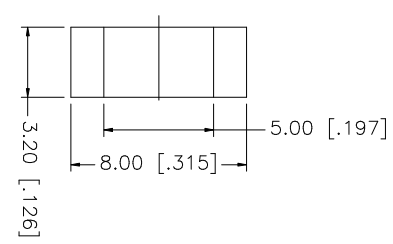
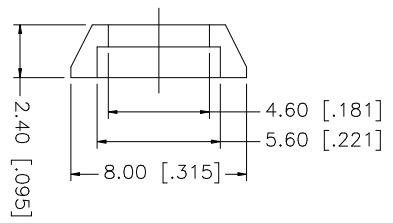
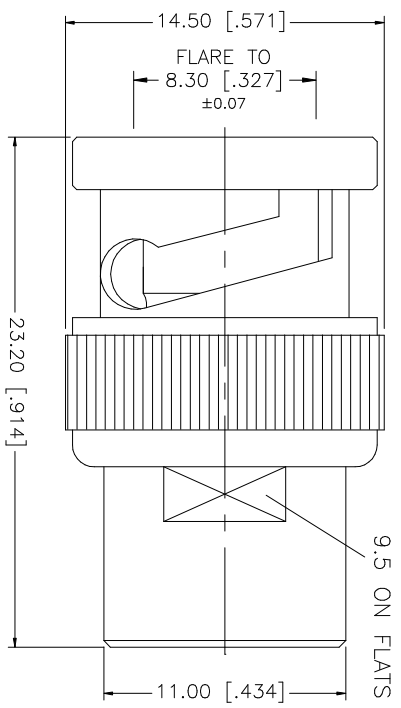
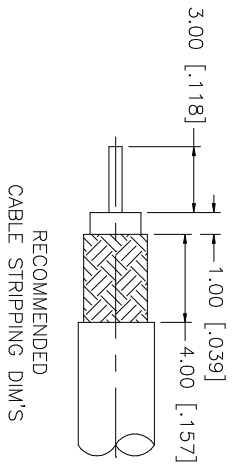
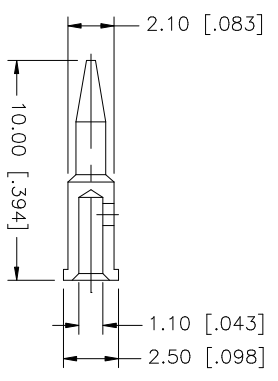
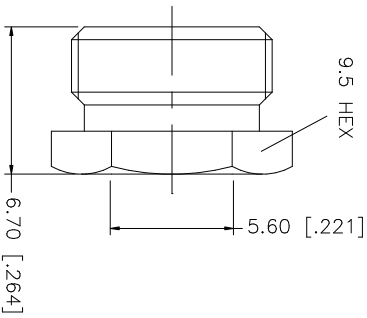


REV.	DATE	DESCRIPTION
NC	09/14/95	INITIAL RELEASE
A	05/10/05	UPDATE DRAWING FORMAT
B	07/25/05	EXPLODE TO SHOW ALL PARTS/ MODIFY DESCRIPTION



NOTE:
1. CRIMPED CONTACT PIN
HEX CRIMP SIZE .068"



QTY	FINISH	MATERIAL	DESCRIPTION
1	NICKEL	BRASS	INSULATOR BODY
1	NICKEL	BRASS	INSULATOR TOP HAT
1	RED	SILICONE	GASKET
1	NICKEL	BRASS	WASHER
1	NICKEL	BRASS	HEX NUT
1	GOLD	BRASS	CONTACT PIN

APPROVALS	DATE
G.R.S.	07/25/04

UNLESS OTHERWISE SPECIFIED DIMENSIONS ARE IN INCHES AND FOR CUSTOMER REFERENCE ONLY. TOLERANCES FOR MILLIMETERS ARE:
0.3 - 8mm ± 0.20mm
8 - 30mm ± 0.40mm
30 - 120mm ± 0.50mm

UNLESS OTHERWISE SPECIFIED DIMENSIONS ARE IN INCHES AND FOR CUSTOMER REFERENCE ONLY. TOLERANCES FOR INCHES ARE:
.020 - .315 = ± 0.007"
.315 - 1.180 = ± 0.015"
1.180 - 4.724 = ± 0.020"

DO NOT SCALE DRAWING

CAD FILE	DWG. NO.	REV.	SIZE	SCALE
C:/112/112348.DWG	112348.DWG	B	A	NA

PART DESCRIPTION	PART NO.
BNC CLAMP PLUG (FOR RG-58C/U, 58/U, 142A/U, 223/U)	112348

Amphenol Connex

Mouser Electronics

Authorized Distributor

Click to View Pricing, Inventory, Delivery & Lifecycle Information:

[Amphenol:](#)

[112348](#)