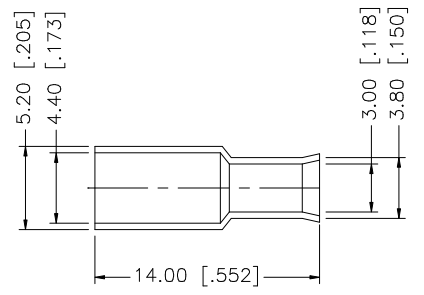
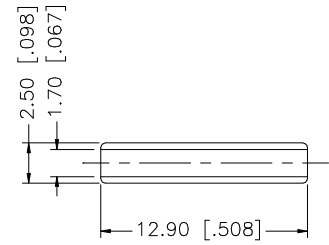
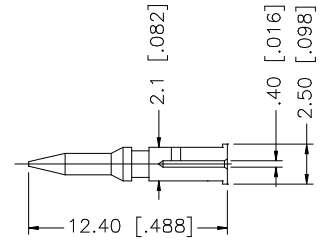
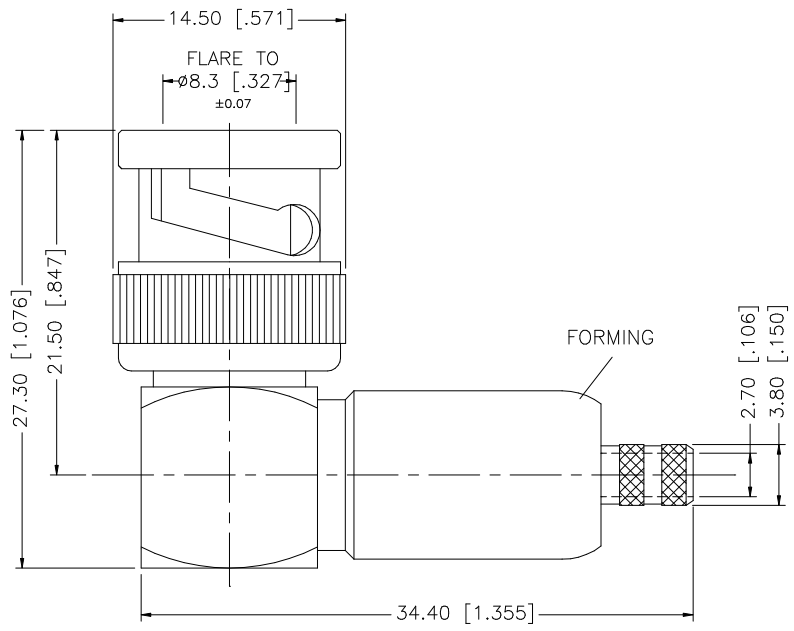


REV.	DATE	DESCRIPTION
NC	05/31/07	INITIAL RELEASE



QTY	DESCRIPTION	MATERIAL	FINISH
1	BODY	BRASS	NICKEL
1	INSULATOR	DELRIN	NATURAL
1	CONTACT PIN	PHOS. BRONZE	GOLD
1	CONTACT PIN	BRASS	GOLD
1	CONTACT PIN	BRASS	GOLD
1	SLEEVE	DELRIN	NATURAL
1	FERRULE	BRASS	NICKEL

UNLESS OTHERWISE SPECIFIED DIMENSIONS ARE IN MILLIMETERS. DIMENSIONS IN [] ARE IN INCHES AND FOR CUSTOMER REFERENCE ONLY.

UNLESS OTHERWISE SPECIFIED TOLERANCES FOR MILLIMETERS ARE:
0.5 - 8mm ± 0.20mm
8 - 30mm ± 0.40mm
30 - 120mm ± 0.50mm

UNLESS OTHERWISE SPECIFIED TOLERANCES FOR INCHES ARE:
.020 - .315 = ± 0.007"
.315 - 1.180 = ± 0.015"
1.180 - 4.724 = ± 0.020"

DO NOT SCALE DRAWING

APPROVALS	DATE
DRAWN G.R.S.	05/31/07
CHECKED	
ISSUED	
SHEET 1 OF 1	
CAD FILE C:/112/112199.DWG	

Amphenol Connex

PART DESCRIPTION
**BNC R/A CRIMP PLUG
(FOR 179/U CABLE)**

PART NO.
112199

DWG. NO. 112199.DWG	REV. NC	SIZE A	SCALE NA
---------------------	---------	--------	----------

Mouser Electronics

Authorized Distributor

Click to View Pricing, Inventory, Delivery & Lifecycle Information:

[Amphenol:](#)

[112199](#)