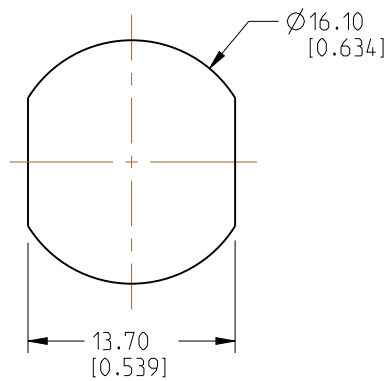


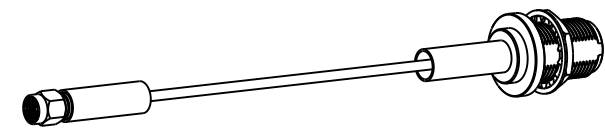
NOTES:

1. MATERIALS AND FINISHES:
SMA STR PLUG - BRASS, GOLD PLATING
N STR BHD JACK - BRASS, WHITE BRONZE PLATING
CABLE - RG 142
2. ELECTRICAL:
A. IMPEDANCE: 50 OHM
3. PACKAGING:
A. QUANTITY: SINGLE PACK
B. MARKING: BAG TO BE MARKED
"AMPHENOL RF, 95-902-530-XXX AND DATE CODE"

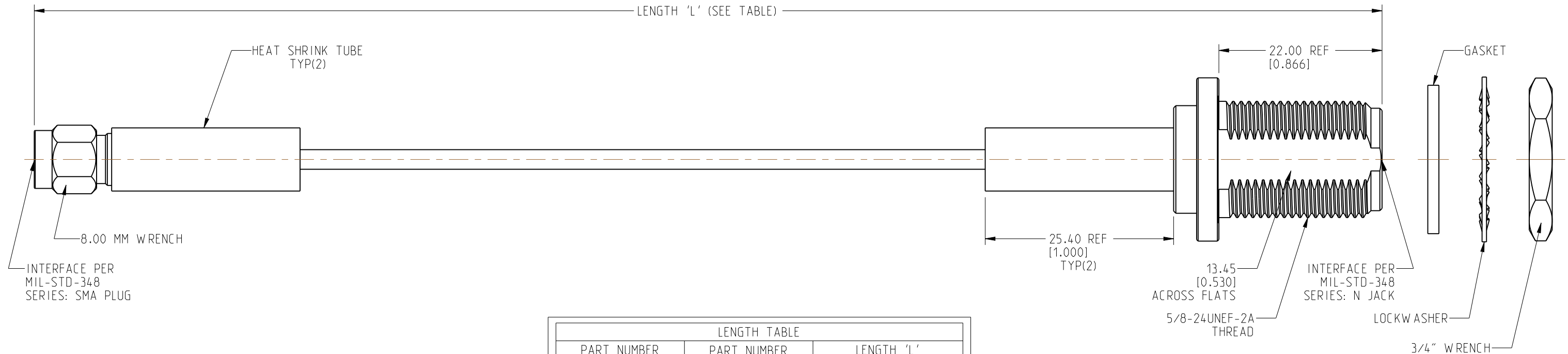


RECOMMENDED MOUNTING HOLE DIMENSIONS

REVISIONS				
REV	DESCRIPTION	DATE	ECN	APPR
A	RELEASE TO MFG.	25-JUN-20	15249	VR



SCALE 0.500



LENGTH TABLE		
PART NUMBER (IMPERIAL)	PART NUMBER (METRIC)	LENGTH 'L' IN INCHES [METERS]
95-902-530-006	-	6.00 [0.152]
95-902-530-012	-	12.00 [0.305]
95-902-530-018	-	18.00 [0.457]
95-902-530-024	-	24.00 [0.610]
95-902-530-036	-	36.00 [0.914]
-	95-902-530M100	39.37 [1.000]
95-902-530-048	-	48.00 [1.219]
95-902-530-072	-	72.00 [1.829]
-	95-902-530M200	78.74 [2.000]
-	95-902-530M300	118.11 [3.000]

TOLERANCE TABLE	
LENGTH IN INCHES/FT [METERS]	TOLERANCE
0" - 23.90" [0 - 0.607]	±0.25" [0.006]
24.00" - 59.00" [0.610 - 1.499]	±0.50" [0.013]
5.0' - 24.9' [1.524 - 7.617]	±2.5%
25.0' & UP [7.620 & UP]	±5.0%

DESIGN REQUIREMENTS:

<input checked="" type="checkbox"/> FREQUENCY: DC - 6 GHz	<input checked="" type="checkbox"/> CONTINUITY
<input type="checkbox"/> VSWR: _____ 1 MAX.	<input checked="" type="checkbox"/> HI-POT: 1000 VRMS
<input type="checkbox"/> INS. LOSS: _____ dB MAX.	<input type="checkbox"/> OTHER

CUSTOMER OUTLINE DRAWING
ALL OTHER SHEETS ARE FOR INTERNAL USE ONLY

NOTICE: These drawings, specifications, or other data (1) are, and remain the property of Amphenol corp. (2) must be returned upon request; and (3) are confidential and not to be disclosed to any person other than those to whom they are given by Amphenol Corp. The furnishing of these drawings, specifications, or other data by Amphenol Corp., or to any other person for any purpose is not to be regarded by implication or otherwise in any manner licensing, granting rights to permitting such holder or any other person to manufacture, use or sell any product, process or design, patented or otherwise, that may in any way be related to or disclosed by said drawings, specifications, or other data.		UNLESS OTHERWISE SPECIFIED DIMENSIONS ARE METRIC [INCHES] AND TOLERANCES ARE: <0.5mm = ±0.05mm [-0.020 = ±0.002] >0.5 - 6mm = ±0.1mm [-0.020 - 0.236 = ±0.004] >6.00 - 30mm = ±0.2mm [-0.236 - 1.181 = ±0.008] >30.00 - 120mm = ±0.3mm [-1.181 - 4.725 = ±0.012]		MATERIAL SEE NOTES		TITLE SMA STR PLUG TO N STR BHD JACK USING RG 142 CABLE VARIOUS LENGTH		DRAWING NO. 95-902-530-XXX ITEM NO. 95-902-530-XXX PART NO. 95-902-530-XXX		REV A
THIRD ANGLE PROJ.	REFERENCE	EAR# 9924	ANGLES = ±1°		ENGINEER VIJAY N M	DATE 03-JUN-20	SHEET NO. 2 OF 2	SCALE: 1.9:1.0	B	

Mouser Electronics

Authorized Distributor

Click to View Pricing, Inventory, Delivery & Lifecycle Information:

Amphenol:

[095-902-530-006](#) [095-902-530-012](#) [095-902-530-018](#) [095-902-530-024](#) [095-902-530-036](#) [095-902-530-048](#) [095-902-530-072](#) [095-902-530M100](#) [095-902-530M200](#) [095-902-530M300](#)