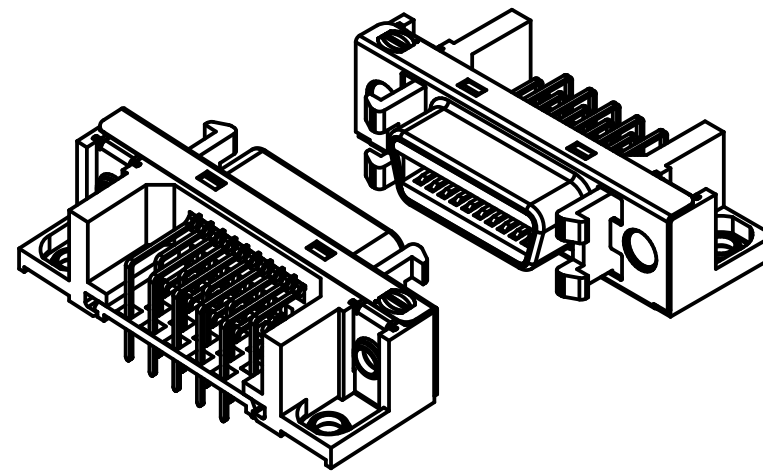
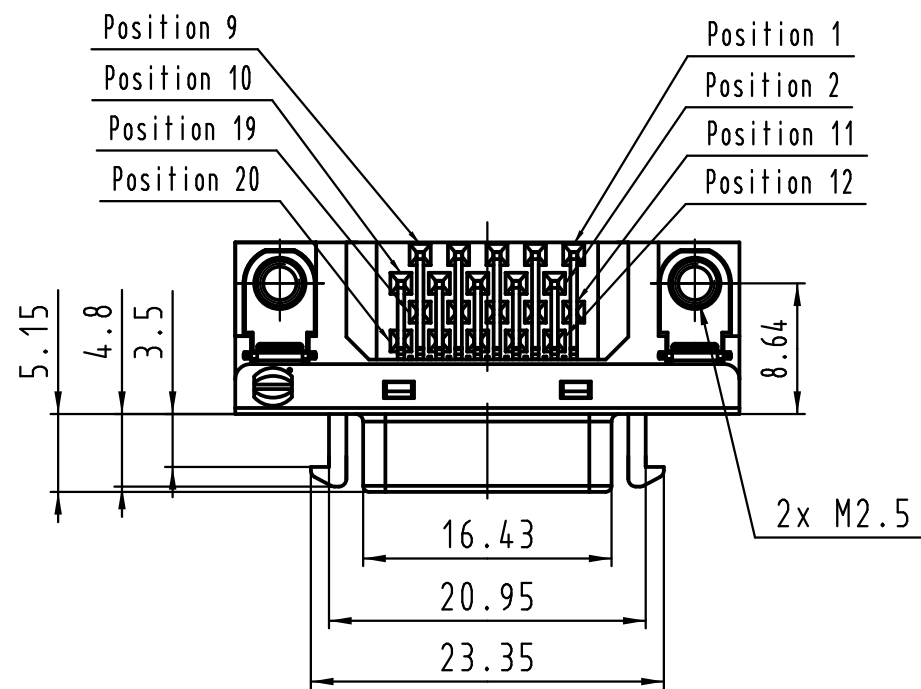


PCB layout: component side



According to IEC 61076-3-100

1)see TB 60 11 020 5732 folio 2/2 for reel packaging.

All rights reserved

All Dimensions in mm Original Size DIN A 3			Techn. Character.			Free size tolerances		
			Dat.	Name	Scale	<i>har.mik</i> ® I/O bellow 20P Har.mik female SMC with angled solder pins, thread hole M2.5, fixed latches		
			Detail.	29-OCT-09	J.Sheng	2:1		
			Insp.	18-Nov-09	S.W			
			Stand.	18-Nov-09	S.W			
EC01926	31-May-10	K.Luo	Zhuhai Harting Limited				TB 60 11 020 5732	
31770	29-OCT-09	J.Sheng						Page
Mod.	Dat.	Name						1/2

Mouser Electronics

Authorized Distributor

Click to View Pricing, Inventory, Delivery & Lifecycle Information:

[HARTING:](#)

[60110205732](#)