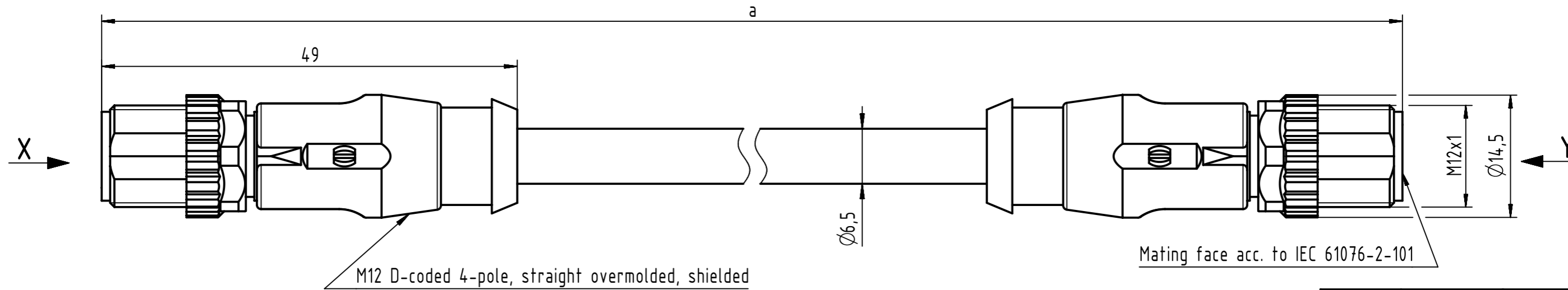


Connector Location A

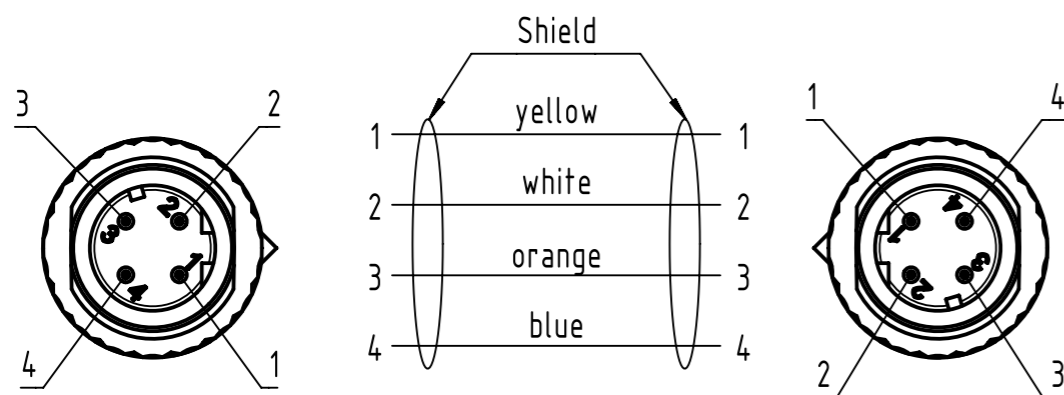
Connector Location B



X
male

Loading Plan

Y
male



length in "1m" step	100	XXX=000
	99	XXX=990

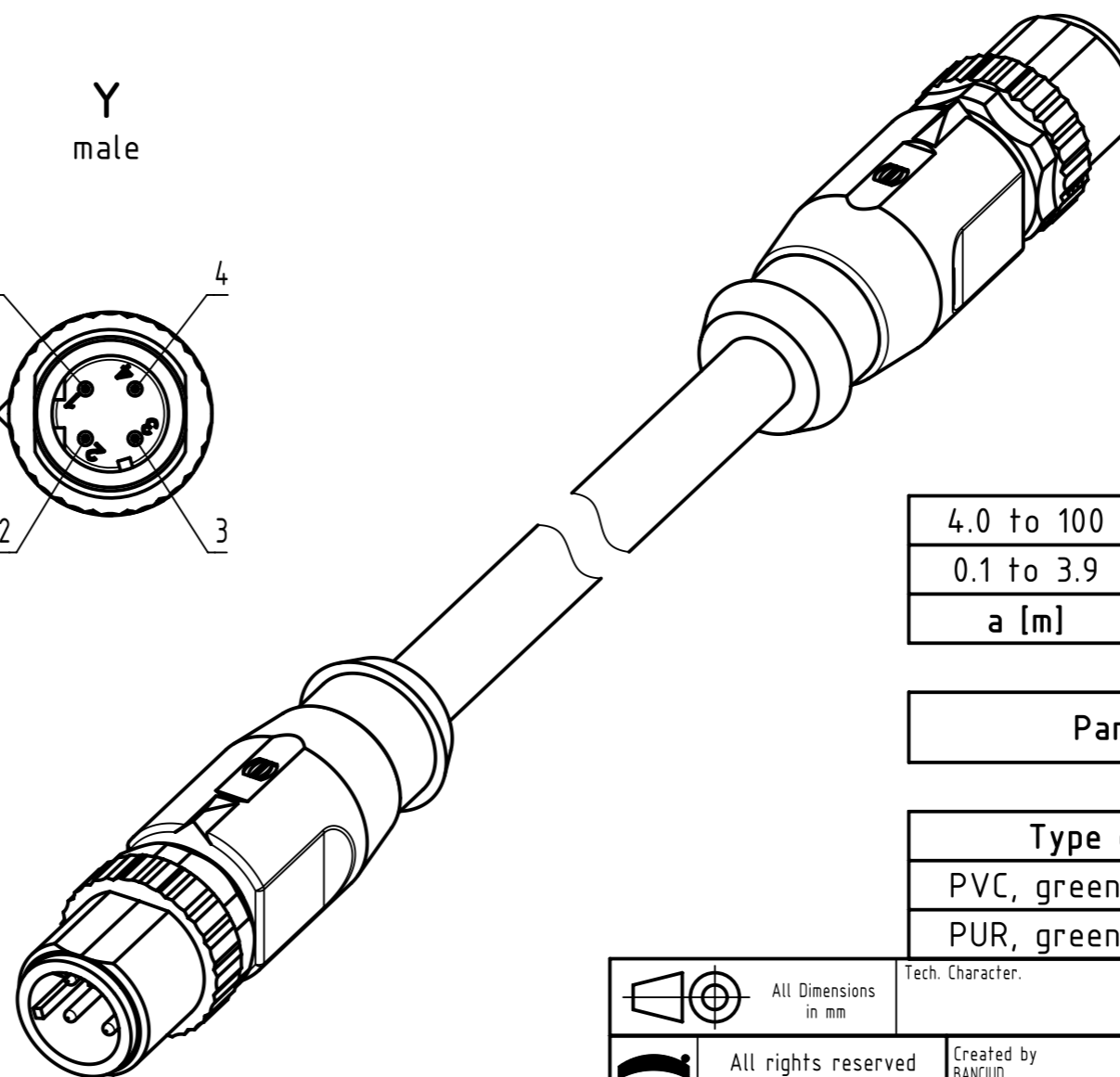
	12	XXX=120
length in "0.1m" step	11	XXX=110
	10	XXX=100
	9.9	XXX=099
	9.8	XXX=098

	0.4	XXX=004
	0.3	XXX=003
	0.2	XXX=002
	0.1	XXX=001
Step	a [m]	XXX

4.0 to 100	±1%
0.1 to 3.9	+0.04
a [m]	Tolerance

Part no.	213492924XXXXX
Type of cable	XX
PVC, green, 4xAWG22/7	XX=05
PUR, green, 4xAWG22/7	XX=77

- Protection level: IP65/67
- Temperature range: -30°C ... +70°C



All rights reserved Department HCS - RO		Created by BANCIUD Banciu		Inspected by COSTEA Costea		Standardisation MUNTEANV Muntean		Date 2019-03-01		State Final Release	
HARTING Customised Solutions D-32339 Espelkamp		Title M12 Cable Assembly D-cod st/st m/m		Type TB		Number 213492924XXXXX		Doc-Key / ECM-Nr. 100588528/UGD/000/F 50000014.8052		Rev. F Page 1/1	

Mouser Electronics

Authorized Distributor

Click to View Pricing, Inventory, Delivery & Lifecycle Information:

HARTING:

[21349292477010](#) [21349292477050](#) [21349292477075](#) [21349292477100](#) [21349292405020](#) [21349292405050](#)
[21349292405015](#) [21349292405005](#) [21349292405075](#) [21349292405100](#) [21349292477015](#) [21349292477020](#)
[21349292405010](#) [21349292477005](#) [21349292477030](#) [21349292477065](#) [21349292477200](#) [21349292405030](#)
[21349292477040](#) [21349292405060](#) [21349292477080](#) [21349292477035](#) [21349292477150](#) [21349292477120](#)
[21349292477060](#) [21349292477400](#) [21349292477025](#) [21349292477090](#) [21349292477110](#) [21349292477003](#)
[21349292477250](#)